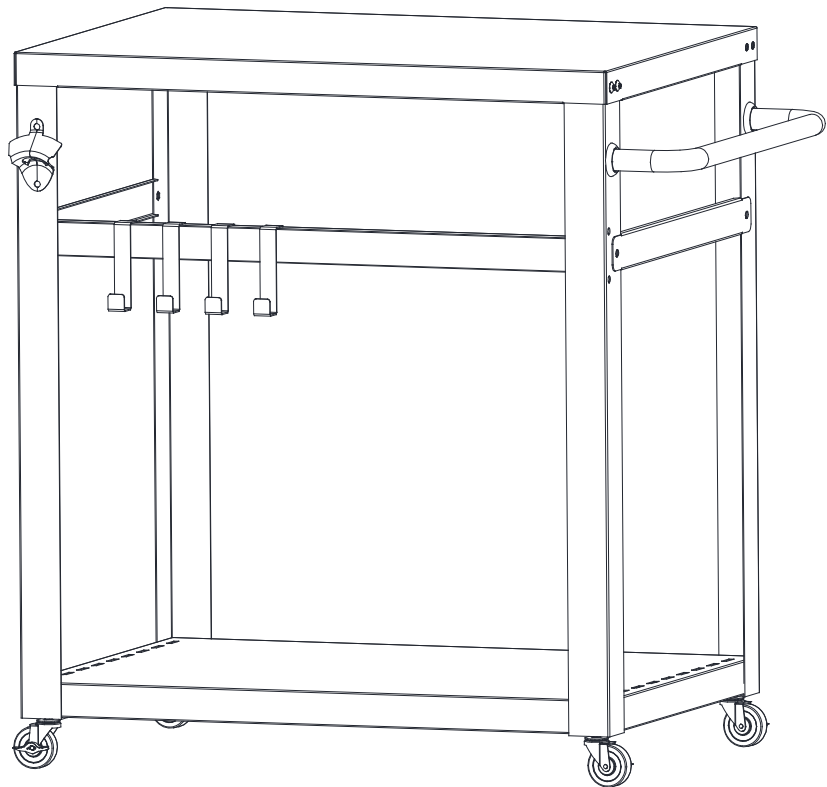




**30in
Outdoor Stainless Steel
Working Table Cart /
Two Levels**



Model: MC510

SKU: 40002

NUUK USA
nuukusa.com



Table of Contents

It is the consumer's responsibility to see that the unit is properly assembled, installed, and maintained. Failure to follow the instructions in the manual could result in bodily injury and/ or property damage

Table of Contents	- page 2
Safety Information	- page 3
Customer Support	- page 4
Care and Maintenance	- page 5
Exploded View	- page 6
Parts and Hardware	- page 7
Assembly Instructions	- page 8 – 12
Finished Product	- page 13
Warranty	- page 14



Safety Information

IMPORTANT: ALL INSTRUCTIONS AND SAFEGUARDS IN THIS SECTION MUST BE FOLLOWED TO PREVENT DAMAGE AND/OR INJURY.

- Not for permanent installation.
- For outdoor use only
- Use caution with all electric appliances, tools, extension cords and lights on and around table.
- Surface can become hot in direct sun or high temperatures.
- Maximum top weight load of 100 LBS
- Use only on level surfaces.
- Before use ensure wheels are height adjusted so that the table does not rock when in use.
- Lock wheels when in use.
- Do not allow children to climb the product.

CALIFORNIA PROPOSITION 65 WARNING

WARNING: This product can expose you to lead, which is known to the State of California to cause cancer and birth defects or other reproductive harm. For more information go to www.P65warnings.ca.gov



Customer Support

**HAVE PROBLEM / QUESTION/ CONCERN
NO WORRY!**

Our Customer Service Staff is Here To Help You!

For questions regarding your NUUK products,
installation, replacement parts or your warranty,
please contact

NUUK customer service team.

Phone: 1-800-719-8199
Monday through Friday
9:00 am to 5:00 pm, Eastern Time Zone

Email: service@nuukusa.com



Care and Maintenance

CLEANING

Painted and Plastic Surface

Wash with mild detergent or non-abrasive cleaner and warm Water.

Stainless Steel Surface

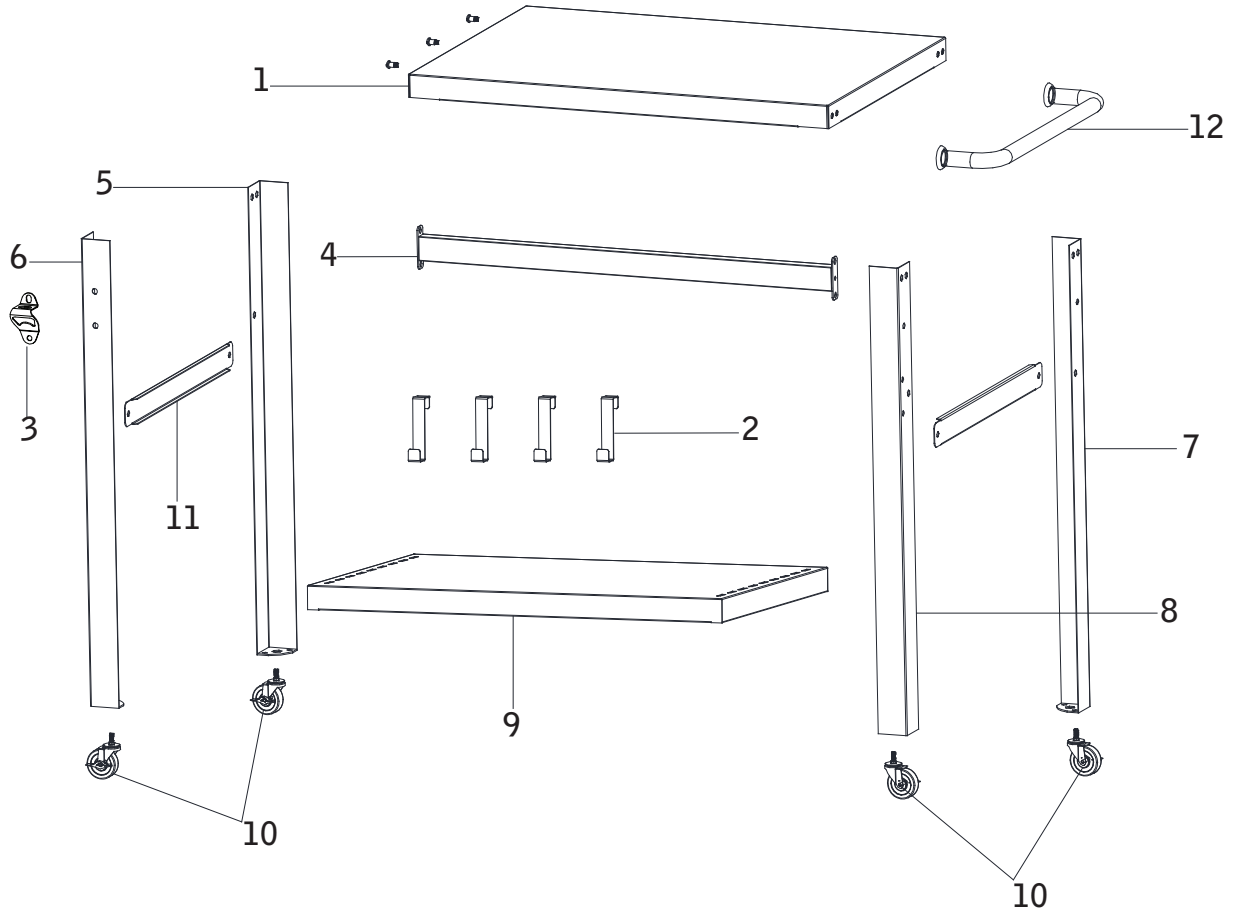
Wash with mild detergent and warm soapy water or use stainless steel cleaner. Wipe dry with a soft cloth after each use.

Wash only in the direction of the stainless brushed finish to avoid damage.

Stainless steel can rust under certain conditions. This can be caused by acidic marinades, chlorine, saltwater, exposure to coastal climates, other natural elements, or improper cleaning tools such as wire or steel wool.










Exploded View





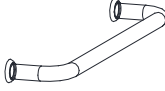


If you find any missing parts, damage parts, please contact NUUK

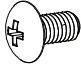

Phone: 1-800-719-8199
Monday through Friday
09:00 am to 05:00 pm, Eastern Time Zone

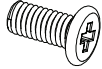
Email: service@nuukusa.com

PART		DESCRIPTION	QTY
1		Counter Top	1
2		Stainless Steel Hook	4
3		Bottle Opener	1
4		Front Beam	1
5		Left Back Leg	1
6		Left Front Leg	1
7		Right Back Leg	1

PART		DESCRIPTION	QTY
8		Right Front Leg	1
9		Bottom Shelf	1
10		Caster Wheel	4
11		Support Bracket	2
12		Side handle	1

Hardware

PART		DESCRIPTION	QTY
A		Bolt M6 x 15	20
C		Step Screws	3

PART		DESCRIPTION	QTY
B		Bolt M6 x 15	8

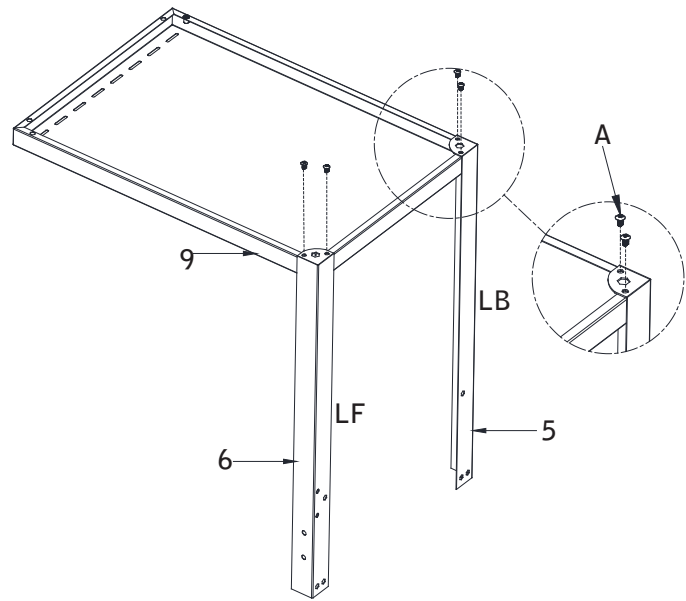


A x 4

STEP 1

Install Left Front Leg (6) and Left Back Leg (5) to Bottom Shelf (9), use four Bolt M6 x 15 (A).

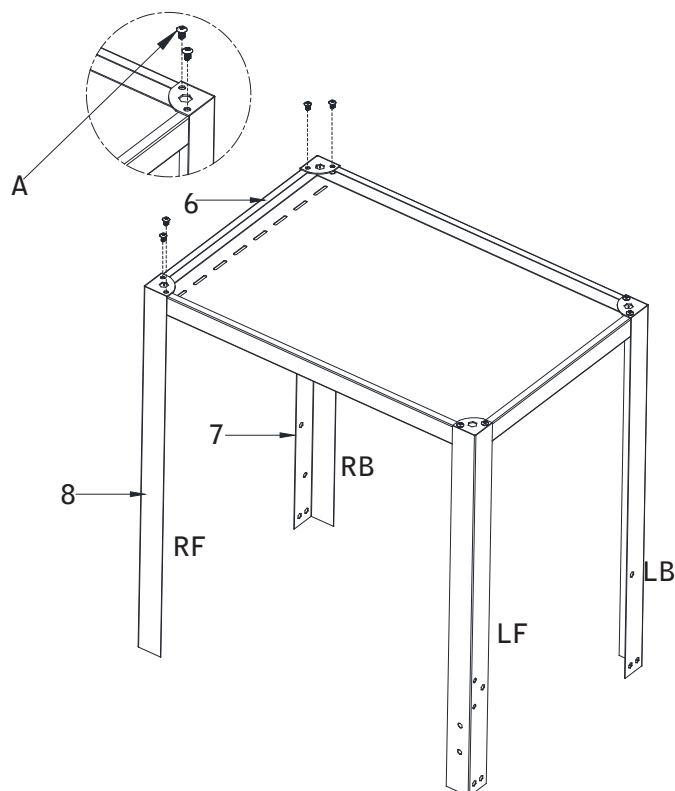
Do not tighten screws till STEP 7 is completed.



A x 4

STEP 2

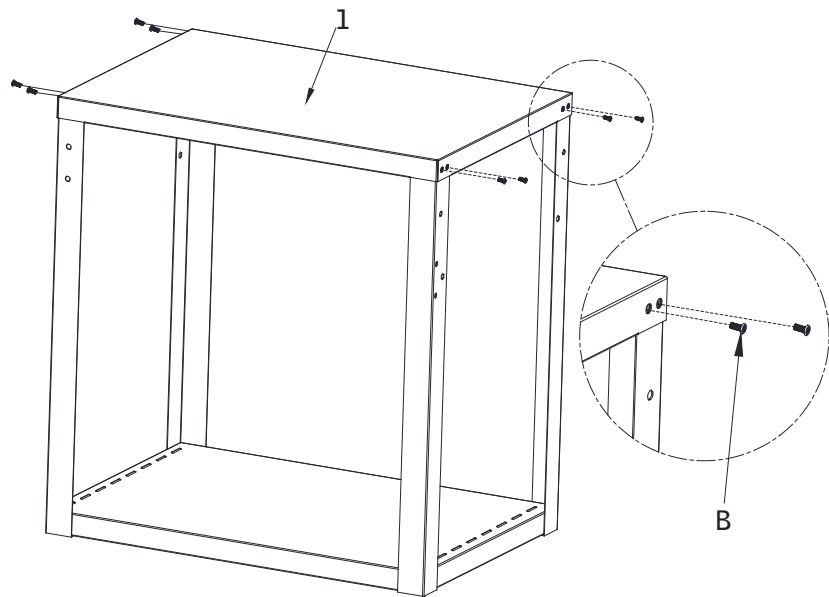
Install Right Front Leg (8) and Right Back Leg (7) to Bottom Shelf (9), use four Bolt M6 x 15 (A).



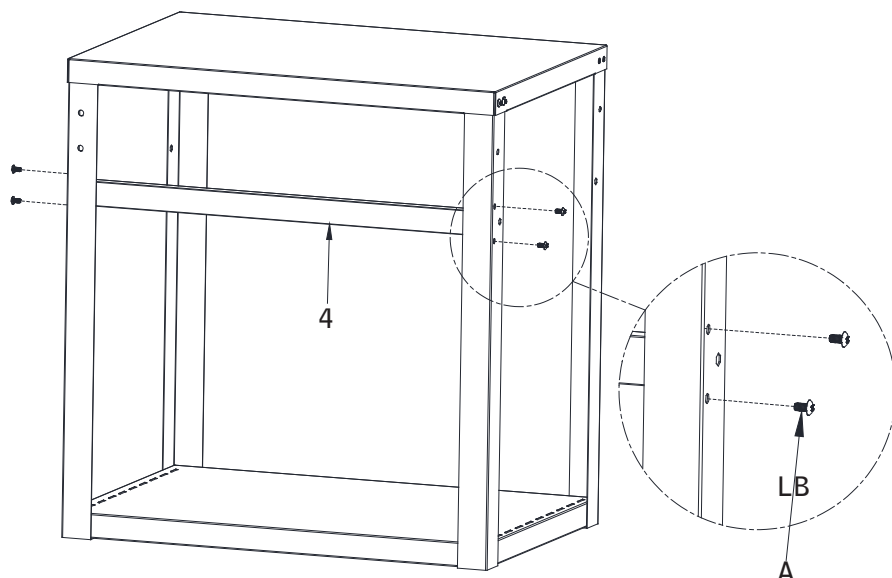
**B x 8 STEP 3**

Turn around the cart now.

Install Counter Top (1) to assembled cart, use eight Flat Head Bolt M6 x 15 (B).

**A x 4 STEP 4**

Install Front Bean (4) to assembled cart, use four Bolt M6 x 15 (A).

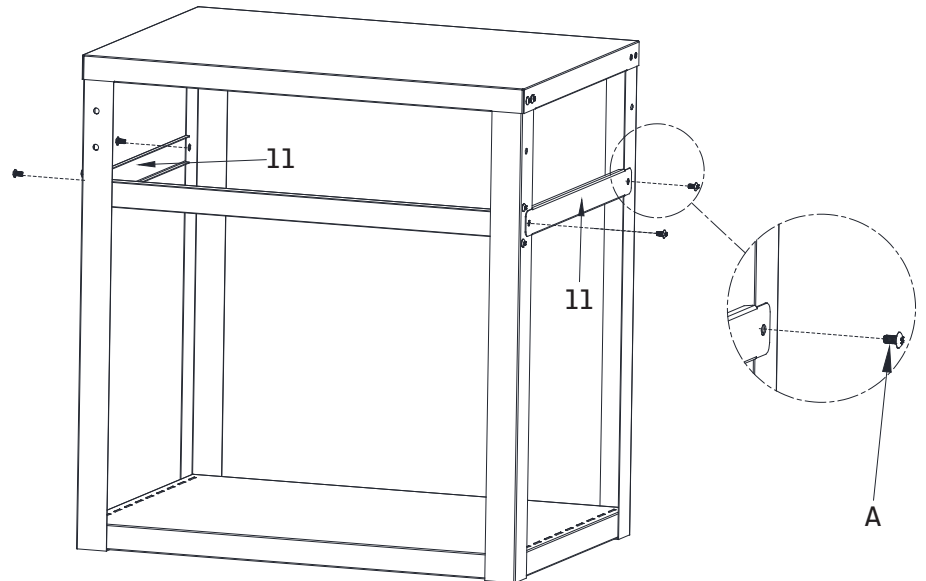




A x 4

STEP 5

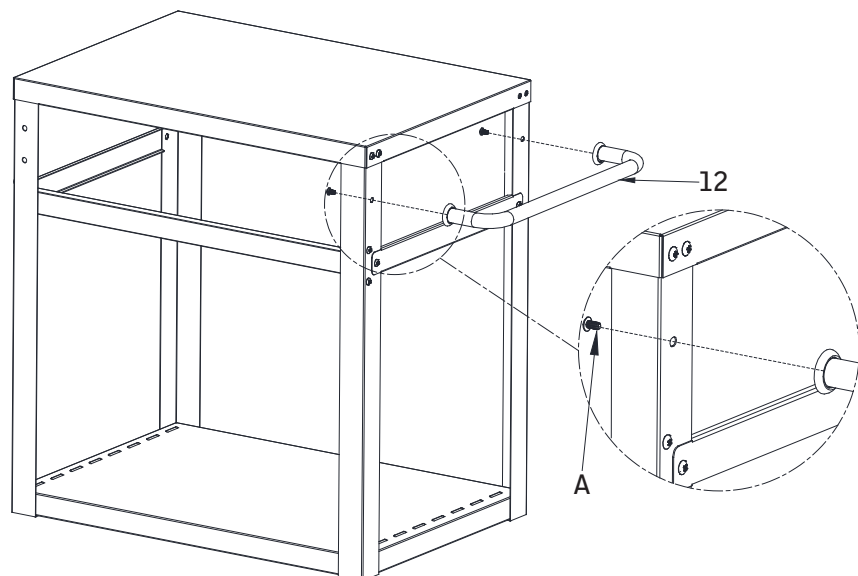
Install Side Support Bracket (11) to assembled cart, use two Bolt M6 x 15 (A) for each bracket, total four bolts.



A x 2

STEP 6

Install Side Handle (12) to assembled cart, use two Bolt M6 x 15 (A).

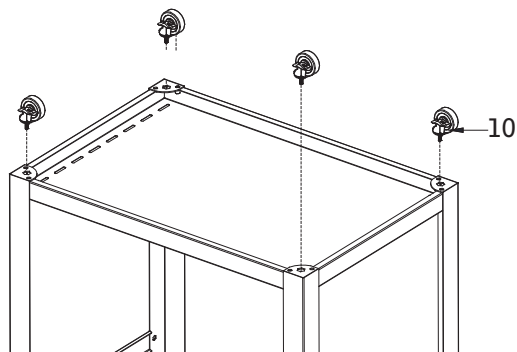


NUUK™ Assembly Instruction

 A x 2 **STEP 7**

Turn around the assembled cart, top surface face down.
Install four Caster Wheel (10) to bottom shelf.

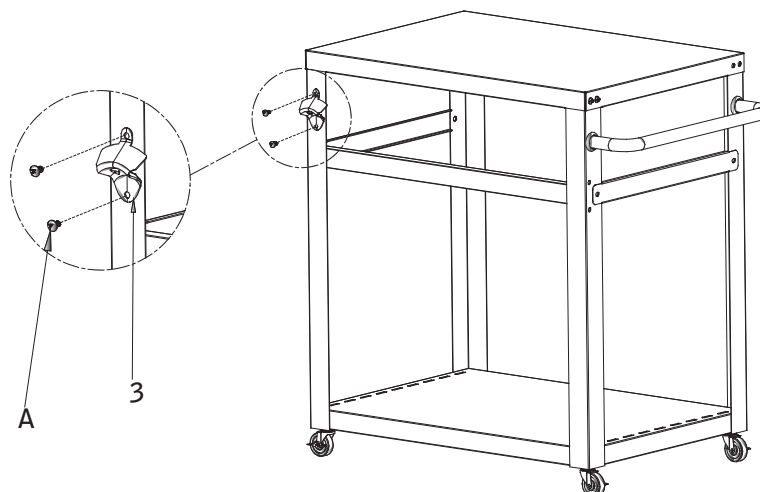
NOTE: Place the protection material on the floor before this step.



PLEASE TIGHTEN ALL SCREWS NOW

 A x 2 **STEP 8**

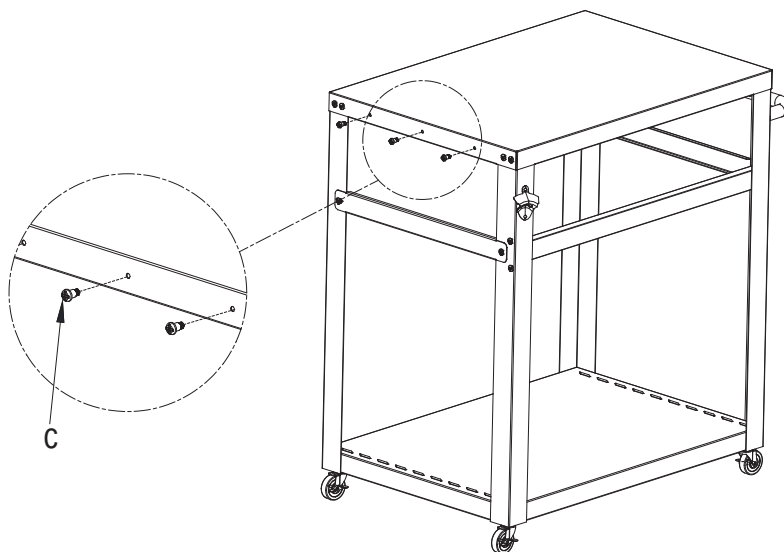
Install the Bottle Opener (3) to the Left Front Leg, use two Bolt M6 x 15 (A).



 C x 3

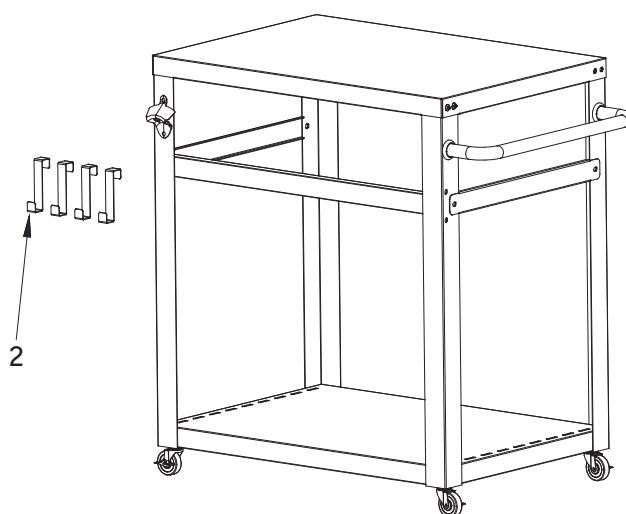
STEP 9

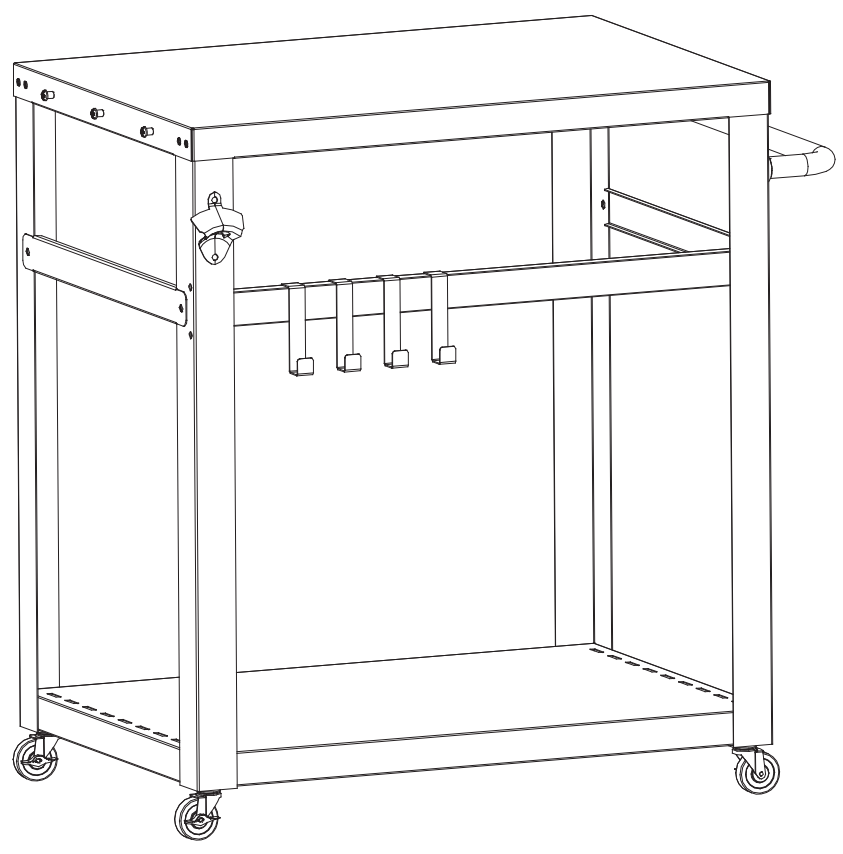
Install three Step Screw (C) to left side of counter top.



STEP 10

Put the stainless steel hook (2) onto the front beam.







Warranty

NUUK LLC (NUUK USA) 1-YEAR WARRANTY

Proof of purchase is required to access this warranty program, which is in effect from the date of purchase.

NUUK USA warranty covers one year from the date of purchase. NUUK will assist you to get the replacement parts, replace the unit. All warranties are limited to the original purchase only. This warranty does not cover any liability for used good purchase. The purchaser must follow the usage instruction.

Warranty Provisions

- This warranty is non-transferable and does not cover failure due to misuse, improper installation or maintenance.
- This warranty is for replacement of defective parts only. We are not responsible for incidental or consequential damages or labor costs.
- This warranty does not cover damage caused by abrasive or chemical cleaners, or any damage to other components used in the installation or operation of the table.
- Paint is not warranted and may require touch-up.



NUUK customer service team

Phone: 1-800-719-8199

Monday through Friday

9:00 am to 5:00 pm, Eastern Time Zone

Email: service@nuukusa.com

NUUK USA

nuukusa.com