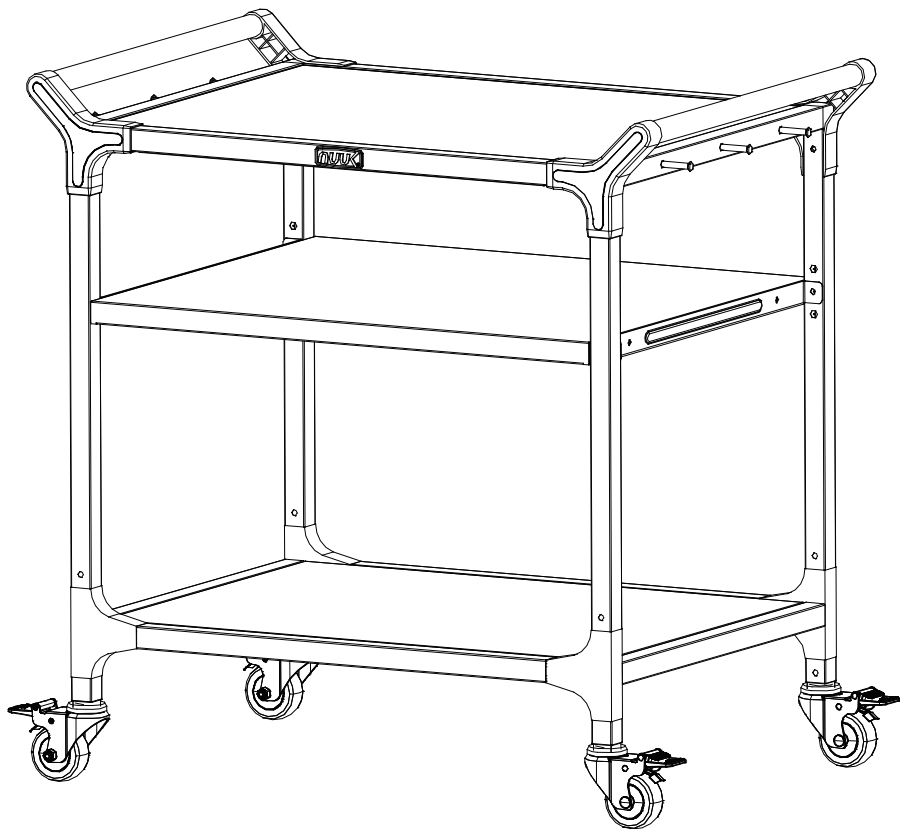




---

**24IN × 32IN**

**Premium Three Levels  
Outdoor Prep Station**



**Model: PT400**

**SKU: 40016**



---

# Table of Contents

Table of Contents	- page 2
Safety Information	- page 3
Customer Support Care and Maintenance	- page 4
Exploded View	- page 5
Parts	- page 6
Hardware and Assembly Instructions	- page 7
Assembly Instructions	- page 8 – 14
Assembly Instructions and Finished Product	- page 15
Warranty	- page 16



---

## Safety Information

**IMPORTANT: ALL INSTRUCTIONS AND SAFEGUARDS IN THIS SECTION MUST BE FOLLOWED TO PREVENT DAMAGE AND/OR INJURY.**

- Not for permanent installation.
- Use caution with all electric appliances, tools, extension cords and lights on and around table.
- Surface can become hot in direct sun or high temperatures.
- Maximum top weight load of 100 LBS
- Use only on level surfaces.
- Before use ensure wheels are height adjusted so that the table does not rock when in use.
- Lock wheels when in use.
- Do not allow children to climb the product.

### **CALIFORNIA PROPOSITION 65 WARNING**

**WARNING:** This product can expose you to lead, which is known to the State of California to cause cancer and birth defects or other reproductive harm. For more information go to [www.P65warnings.ca.gov](http://www.P65warnings.ca.gov)



---

## Customer Support

**HAVE PROBLEM / QUESTION/ CONCERN  
NO WORRY!**

**Our Customer Service Staff is Here To Help You!**

For questions regarding your NUUK products, installation, replacement parts or your warranty, please contact

NUUK customer service team.

Phone: 1-800-719-8199  
Monday through Friday  
9:00 am to 5:00 pm, Eastern Time Zone

Email: [service@nuukusa.com](mailto:service@nuukusa.com)

---

## Care and Maintenance

### CLEANING

#### **Painted and Plastic Surface**

Wash with mild detergent or non-abrasive cleaner and warm Water.

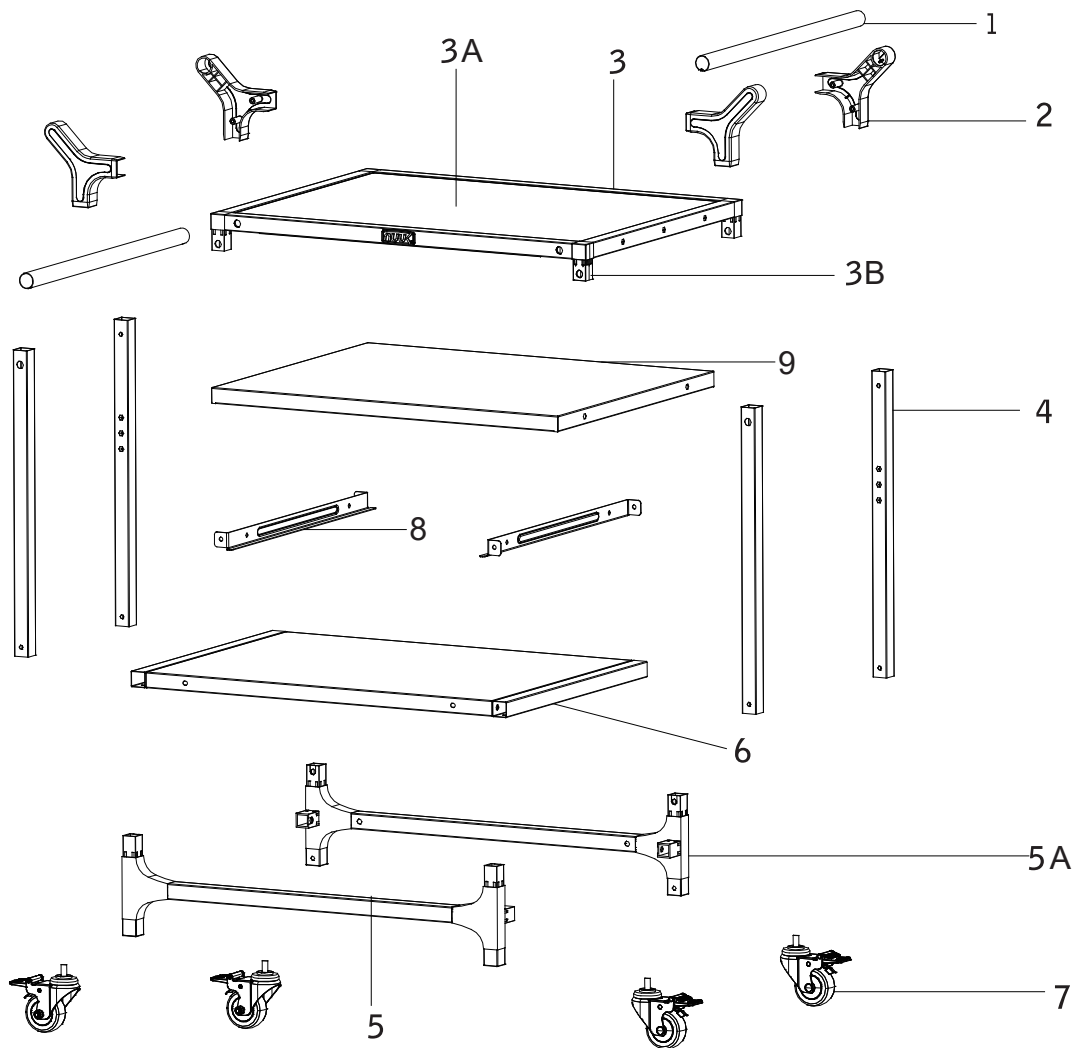
#### **Stainless Steel Surface**

Wash with mild detergent and warm soapy water or use stainless steel cleaner. Wipe dry with a soft cloth after each use.

Wash only in the direction of the stainless brushed finish to avoid damage.

Stainless steel can rust under certain conditions. This can be caused by acidic marinades, chlorine, saltwater, exposure to coastal climates, other natural elements, or improper cleaning tools such as wire or steel wool.

# NUUK™ Exploded View



**If you find any missing parts, damage parts, please contact NUUK**



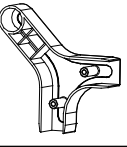
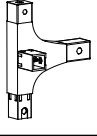


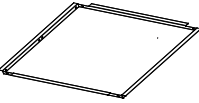

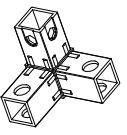

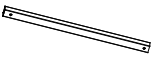

Phone: 1-800-719-8199

Monday through Friday

09:00 am to 05:00 pm, Eastern Time Zone

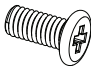


Email: [service@nuukusa.com](mailto:service@nuukusa.com)

# NUUK™ Parts

PART		DESCRIPTION	QTY	PART		DESCRIPTION	QTY
1		Handle Bar	2	5		Support Bar	2
2		Handle Base	4	5A		Low Bracket	4
3		Top Shelf Set	1	6		Bottom Shelf Set	1
3A		Top Shelf	1	7		Caster Wheel	4
3B		Top Bracket	4	8		Middle Shelf Bracket	2
4		Leg	4	9		Middle Shelf	1

# Hardware and Assembly Instruction

## Hardware

PART		DESCRIPTION	QTY	PART		DESCRIPTION	QTY
A		Bolt M6X12	36	B		Step Screw	6
C		Washer	4				

### PREPARATION

Please handle all components with caution. Always wear gloves during assembly and set up.

Read and follow all safety statements, warning, and assembly instructions before attempting to assemble and use. At the beginning of assembly, check the INSTRUCTIONS to make sure all parts are present. If any part is missing or damaged, DO NOT attempt to assemble the products.

### ASSEMBLY TIP

To avoid scratching top and protect floor/patio surface, reuse cardboard packaging and lay parts on top while assembling.

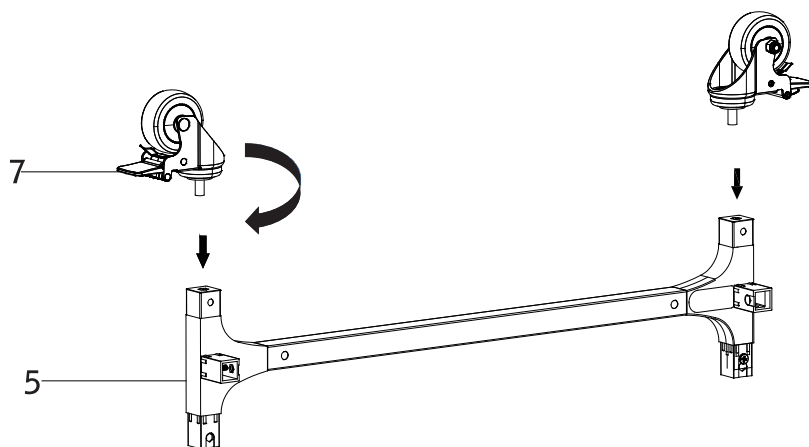
### Tools required for assembly



Phillips Screwdriver  
(not included)

## STEP 1

Install four Caster Wheels (7) to Support Bar (5).



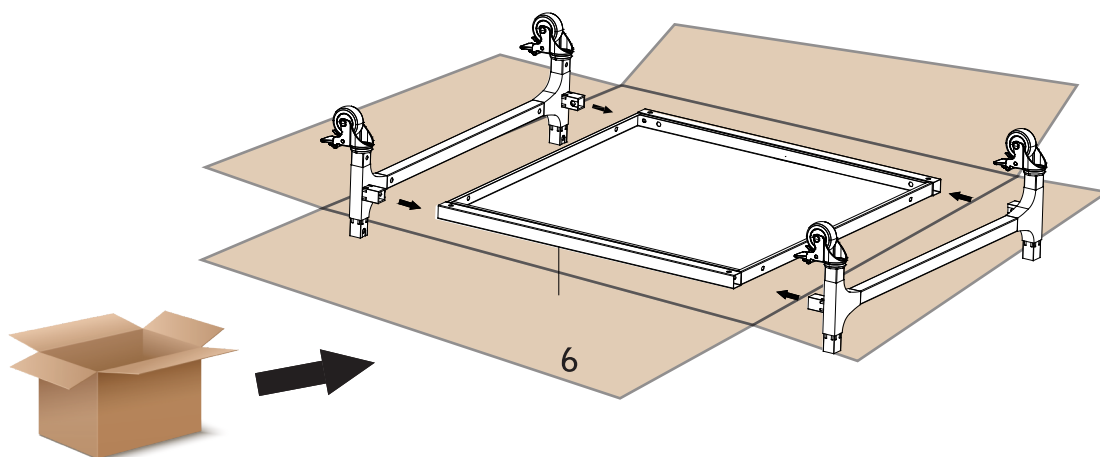
## STEP 2

Put cardboard on the floor first!

Place the Bottom Shelf (6) on the cardboard, make sure flat surface side face down.

Insert the assemble support bar into bottom shelf.

Refer to picture shown.

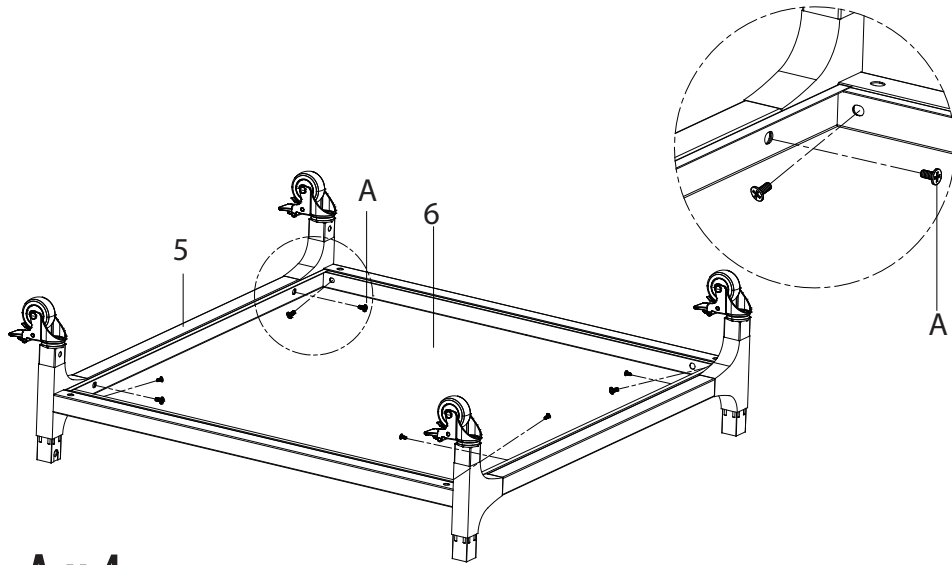


 **A x 8**

**STEP 3**

Install Eight Bolt-A M6X12 on the frame of bottom shelf, tighten all Bolts.

Refer to below picture shown.



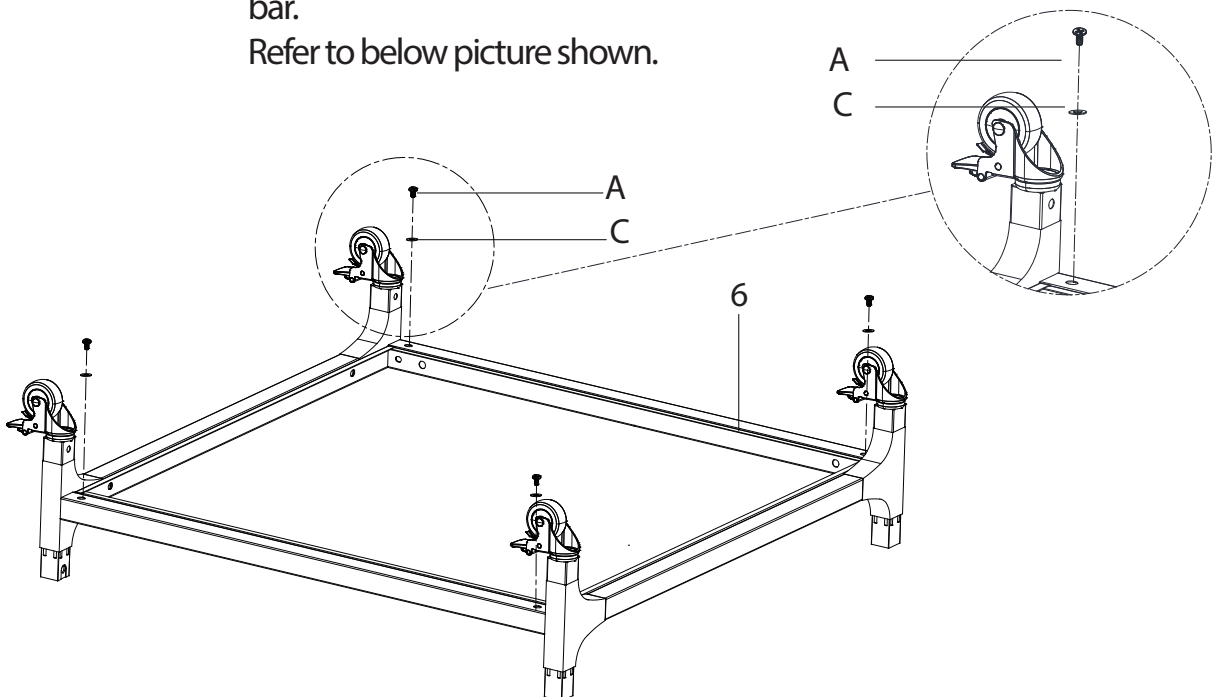
 **A x 4**

 **C x 4**

**STEP 4**

Install Four Bolt-A M6X12, and Four Washer-C, to fasten the support bar.

Refer to below picture shown.

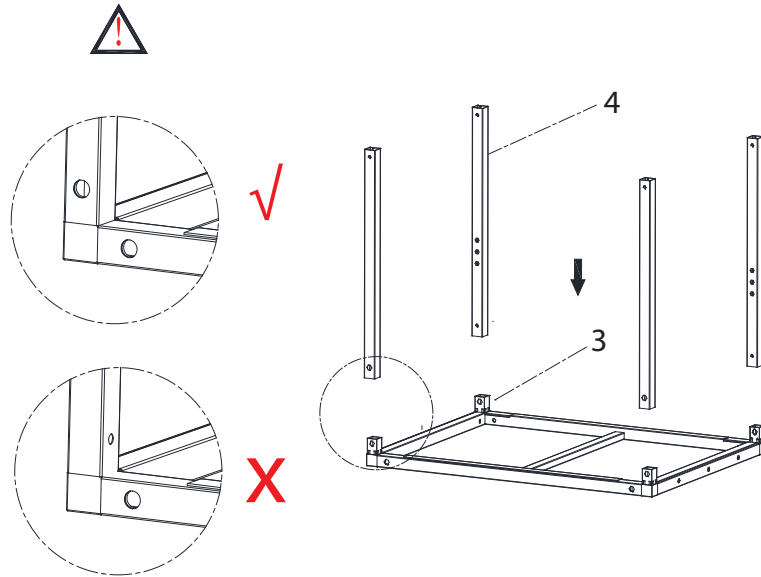


## STEP 5

Put the cardboard on the floor first.

Place the Top Shelf Set (3) on the cardboard, make sure stainless steel surface face down.

Insert Legs (4) onto short bracket at each corner, refer to picture shown.



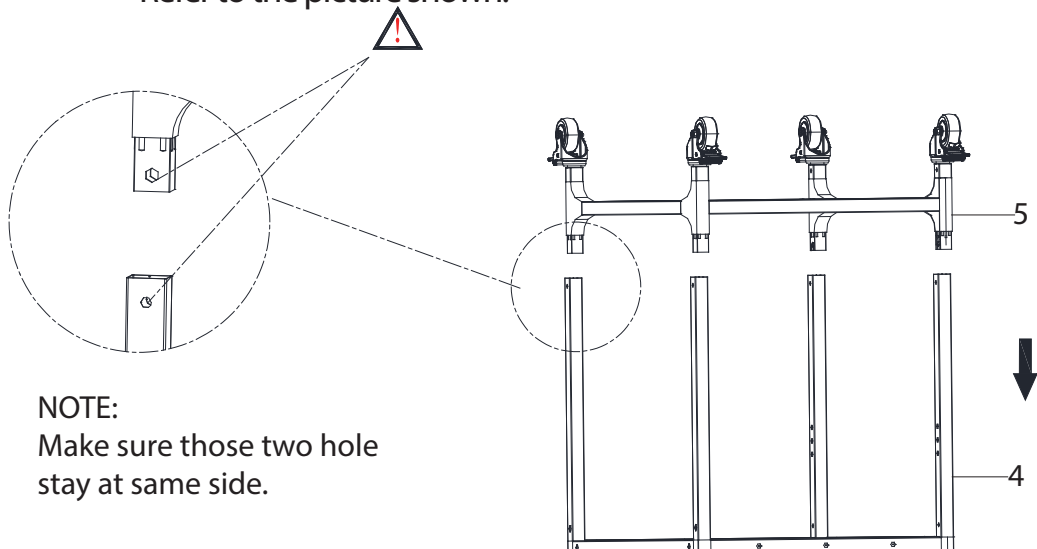
**NOTE: The MAKE SURE CAN SEE BOTH LARGE HOLE TOGETHER!**

## STEP 6

Lift the assembled bottom shelf, inserted the bracket of each corner into leg.

Press the top part slowly, make sure each corner will be in position.

Refer to the picture shown.

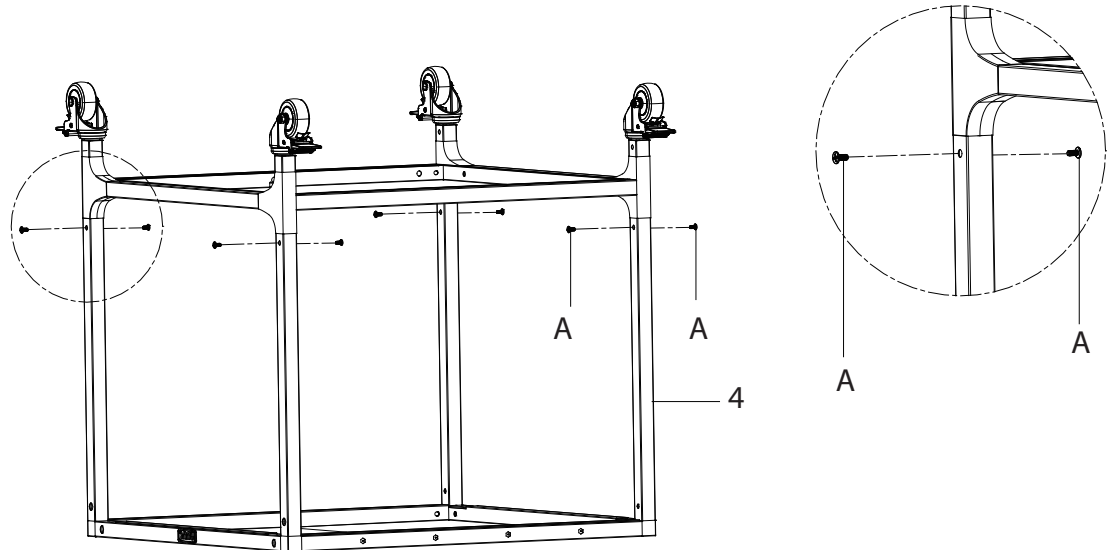


**NOTE:**  
Make sure those two hole stay at same side.

 **A x 8** STEP 7

Refer to picture shown.

Install Eight Bolt-A M6x12 onto each leg, tighten each bolt.

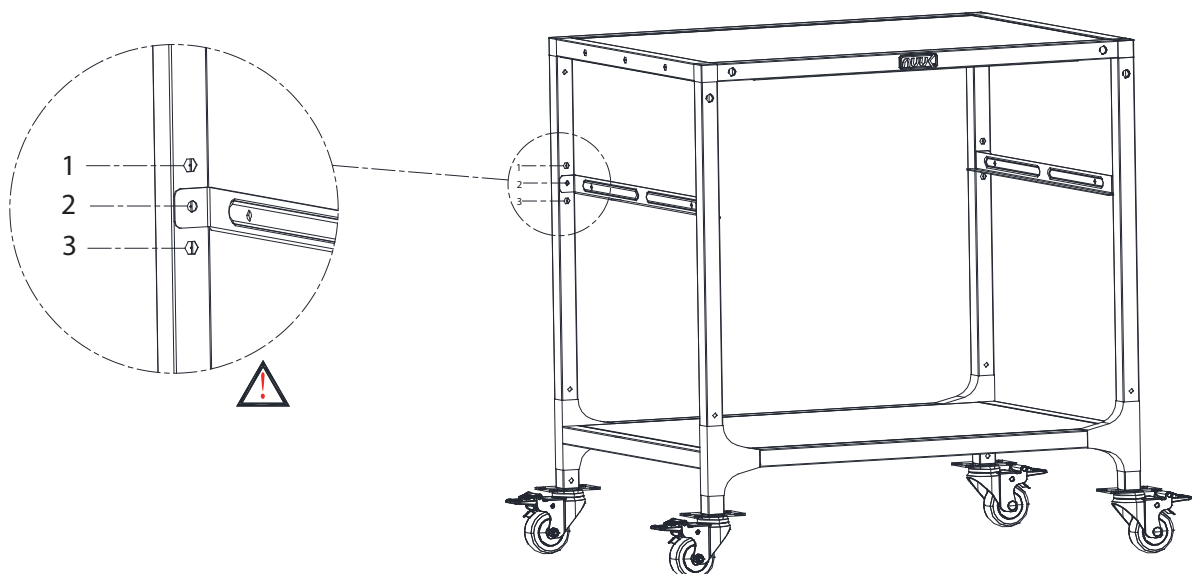


 **A x 4** STEP 8

Turn assembled cart around slowly, LOGO face front.

Install the Middle Shelf Bracket (8) to both side of cart, using Four Bolt-A M6x12.

Refer to below picture shown.

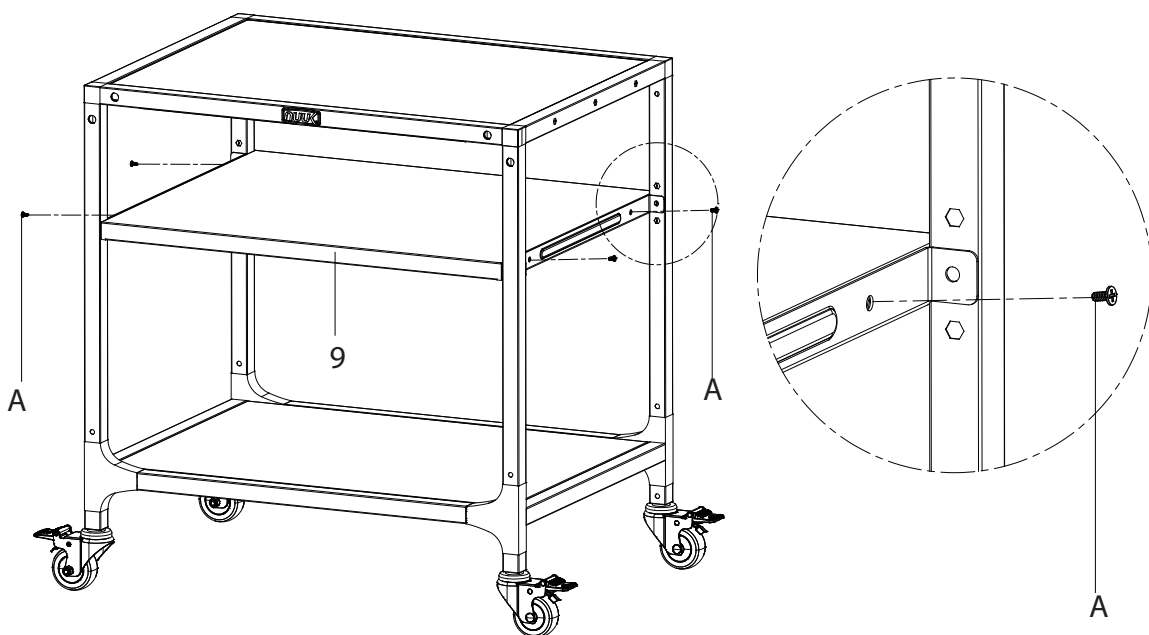


NOTE: Recommend install the bracket at #2 hole, make sure all bracket install at same level's hole.

After set up whole table, you can adjust the bracket location if need.

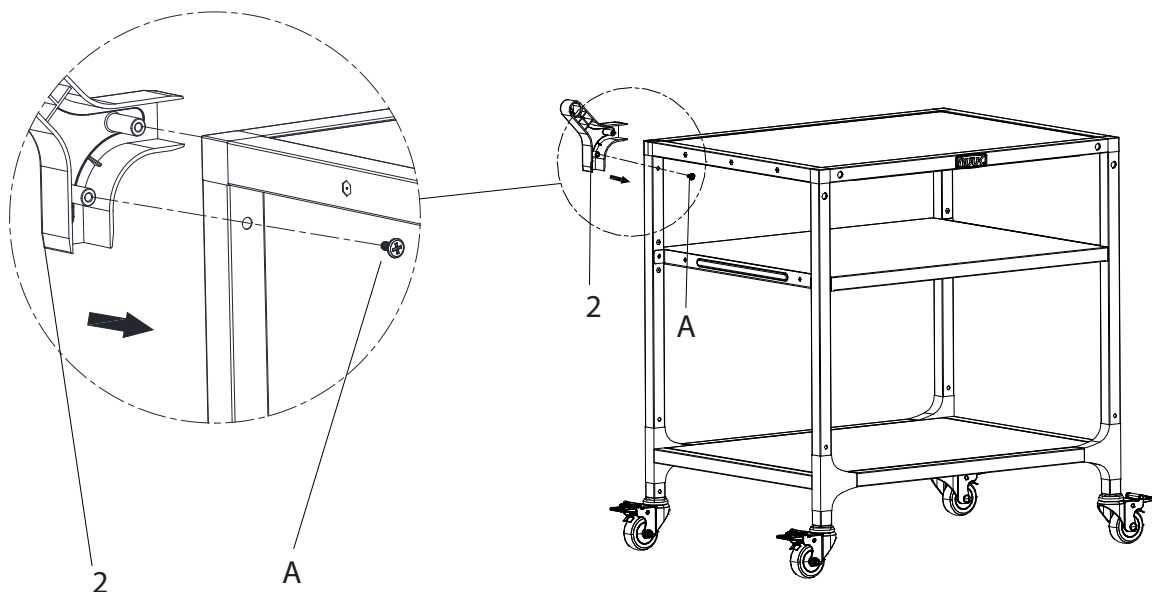
 **A x 4** STEP 9

Install Middle Shelf (9) onto bracket, using Four Bolt-A M6x12, tighten all screws.



 **A x 1**

Insert the (Left side) Handle Base (2) on the left front corner of table, install One Bolt-A M6x12 to fasten handle base.



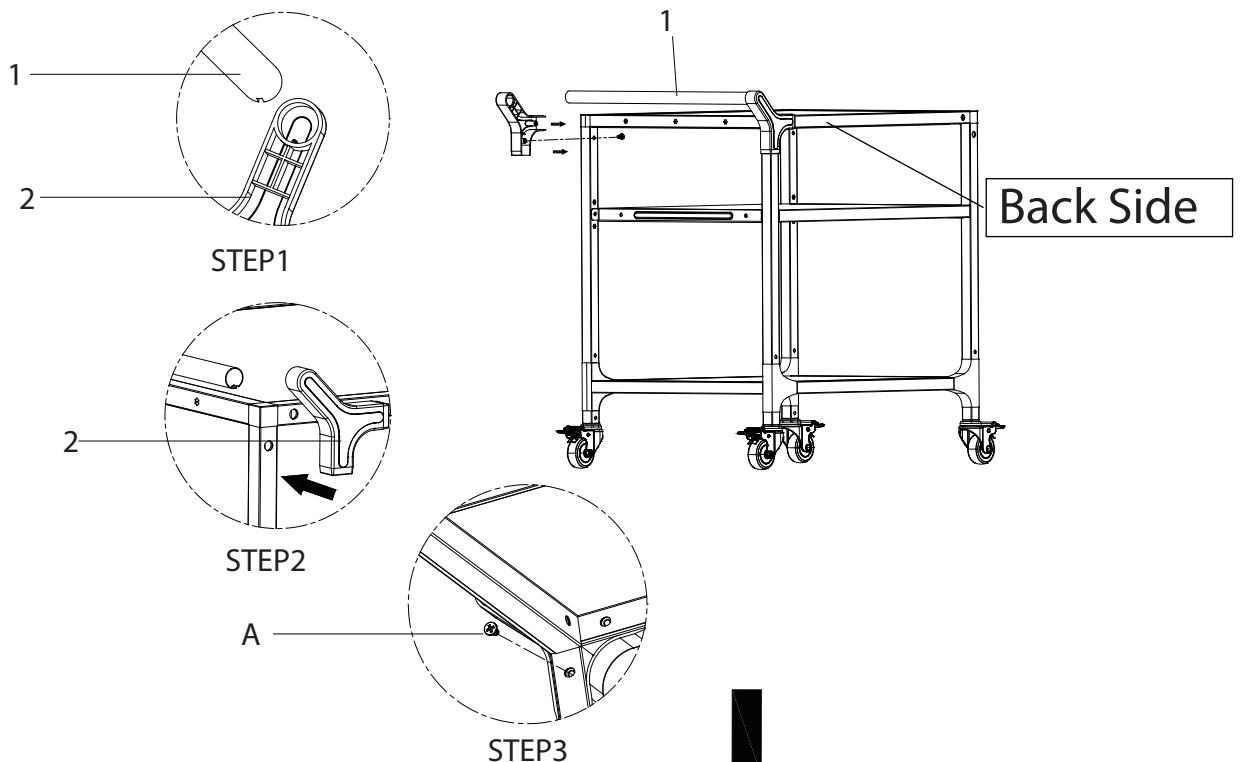
 A x 3

## STEP 10

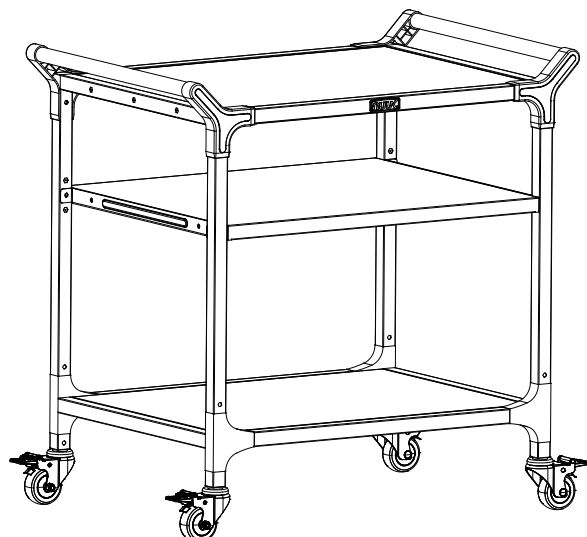
Insert the Handle Bar (1) into assembled handle base, please pay attention about the handle lock design.

Then place another handle base on the table, meanwhile insert handle bar into this handle base.

Install Two Bolt-A M6x12 to the handle and tighten all bolts

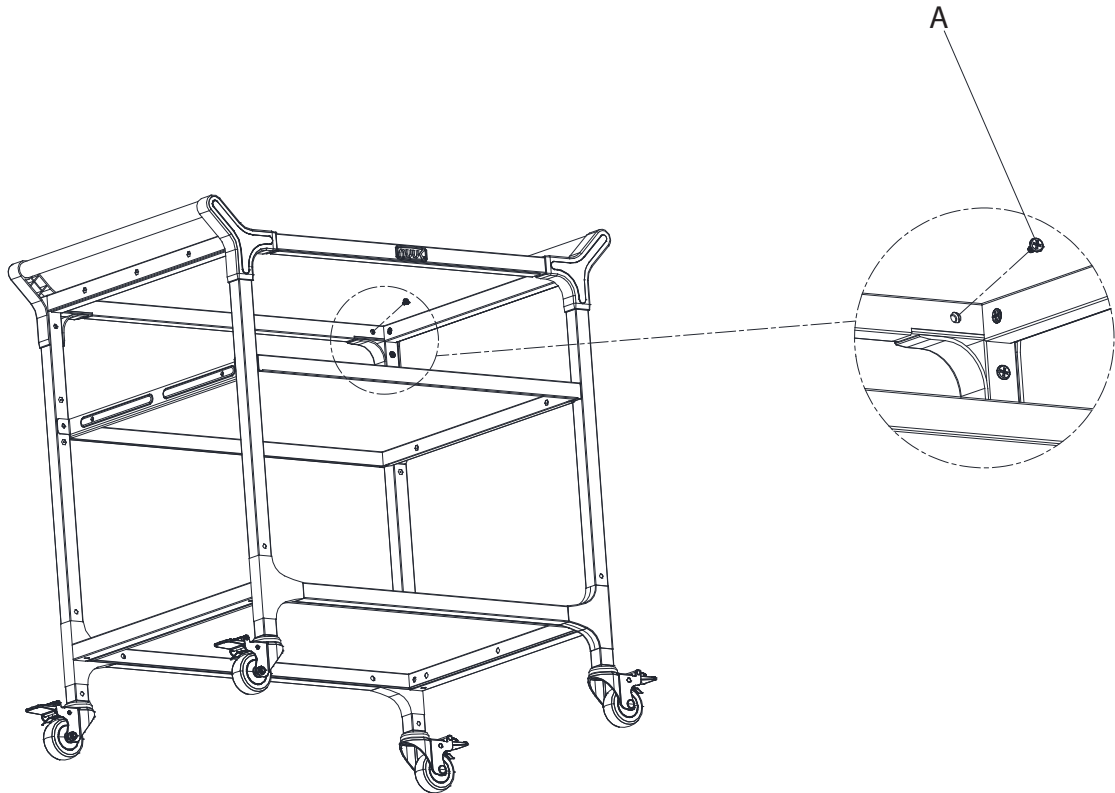


Assemble right side handle with the same way

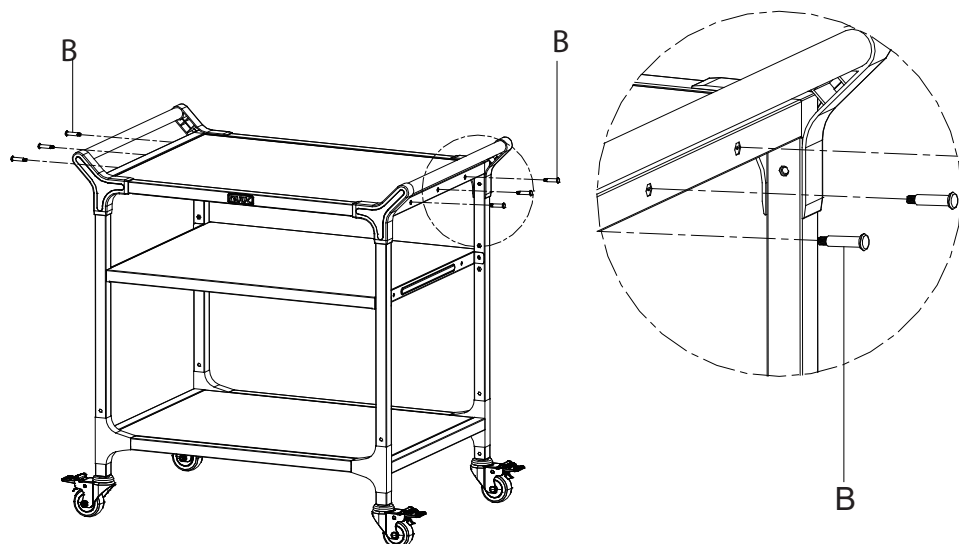


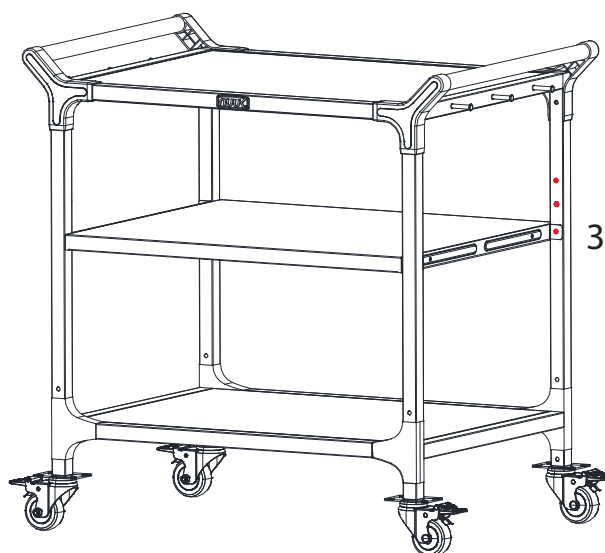
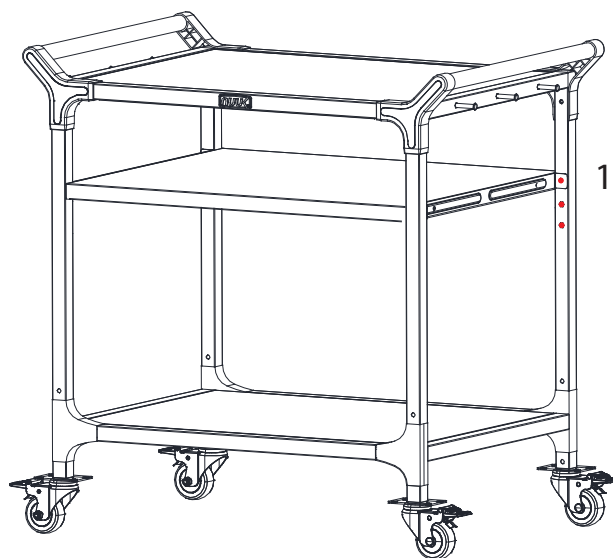
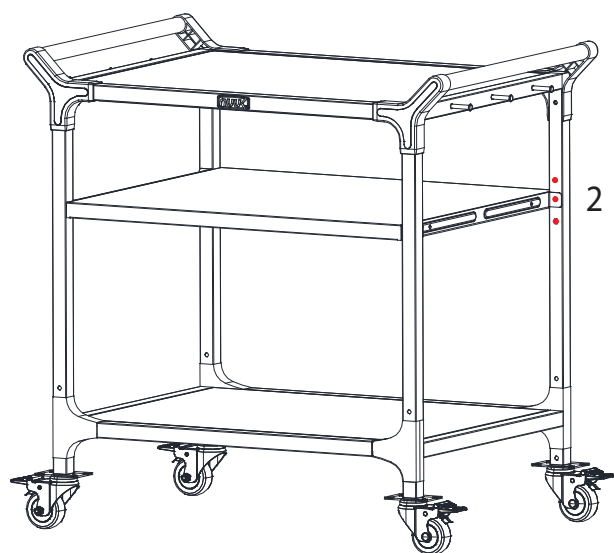
# NUU™ Assembly Instruction

 **A x 4**



 **B x 6** Install Four Step Screw-B at each side of table, total 6 pcs.





FINISH PRODUCTS

# **NUUK**™ **Warranty**

---

## **NUUK LLC (NUUK USA) 1-YEAR WARRANTY**

**Proof of purchase** is required to access this warranty program, which is in effect from the date of purchase.

NUUK USA warranty covers one year from the date of purchase. NUUK will assist you to get the replacement parts, replace the unit. All warranties are limited to the original purchase only. This warranty does not cover any liability for used good purchase. The purchaser must follow the usage instruction.

### **Warranty Provisions**

- This warranty is non-transferable and does not cover failure due to misuse, improper installation or maintenance.
- This warranty is for replacement of defective parts only. We are not responsible for incidental or consequential damages or labor costs.
- This warranty does not cover damage caused by abrasive or chemical cleaners, or any damage to other components used in the installation or operation of the table.
  
- Paint is not warranted and may require touch-up.

NUUK customer service team

**Phone: 1-800-719-8199**  
**Monday through Friday**  
**9:00 am to 5:00 pm, Eastern Time Zone**

**Email: [service@nuukusa.com](mailto:service@nuukusa.com)**

NUUK USA  
[nuukusa.com](http://nuukusa.com)