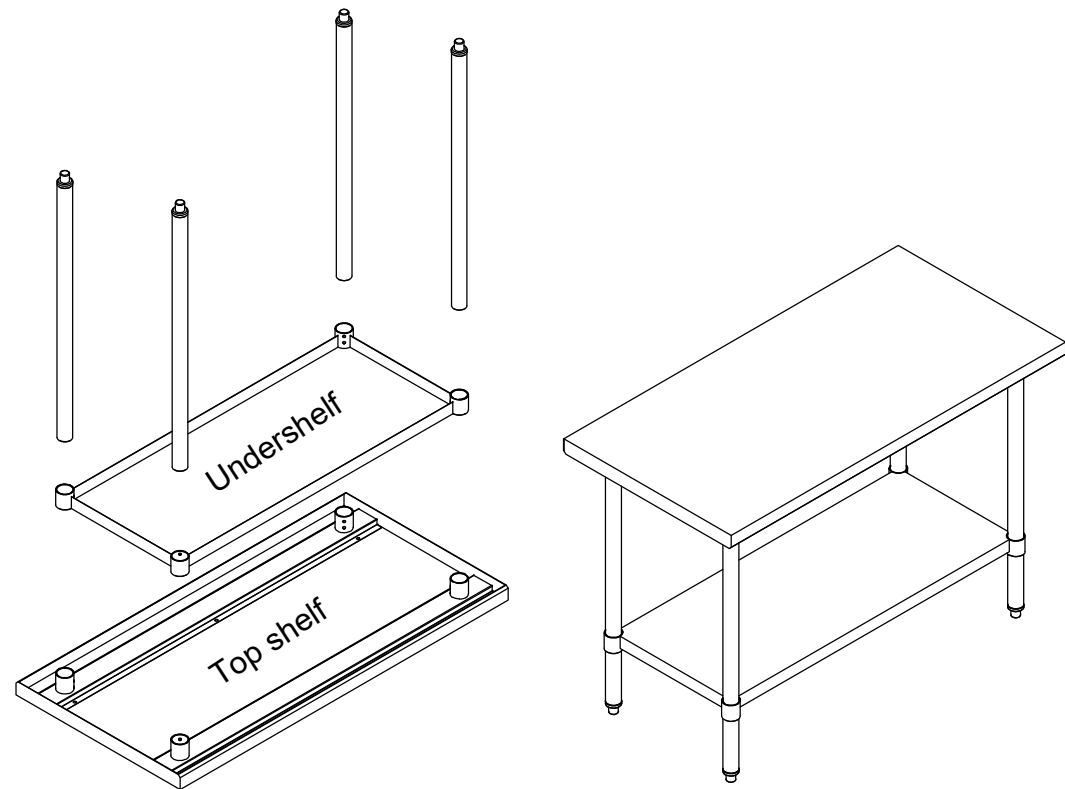


Worktable Assembly Instruction



Main Parts			
No.	Pattern	Part name	Quantity
1		Top shelf	1
2		Undershelf	1
3		Leg	4

Accessories			
No.	Pattern	Part name	Quantity
①		M8*1*10 Screw	17
②		S4 Screw Wrench	1

①

Turn the top shelf upside down onto the floor, place the carton top underneath for padding to avoid scratching, insert four legs into the leg sockets, then partially fasten the allen screws

②

Slide the lower shelf into four legs to desired height, then tighten all allen screws to secure the lower shelf in place

③

Turn over the assembled worktable, adjust the feet height to ensure proper leveling and stability, your worktable is now ready to use