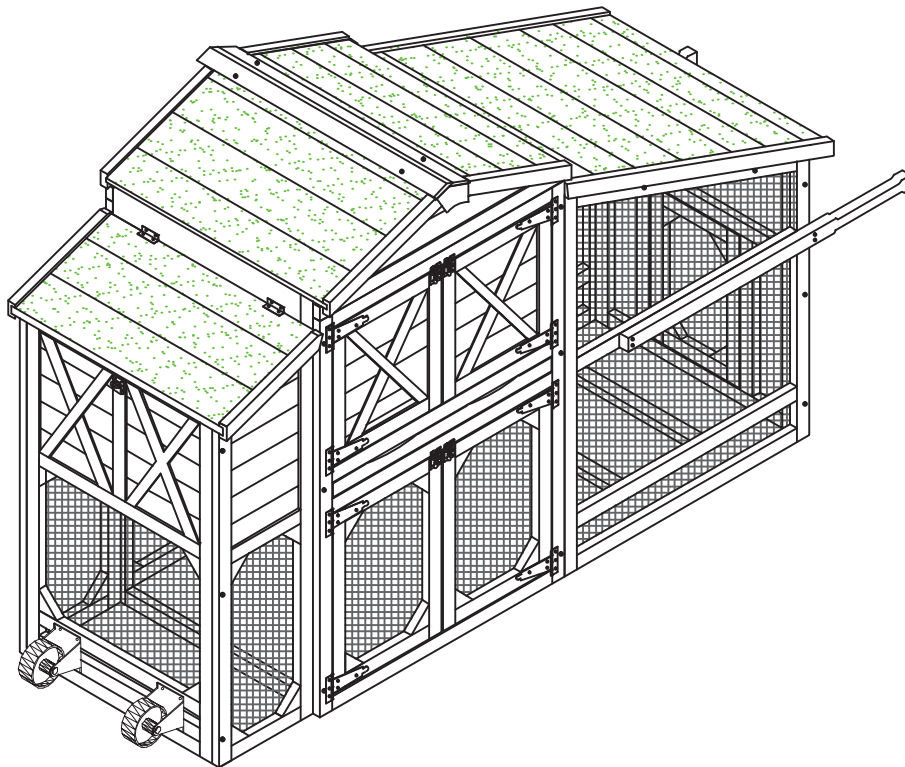


## CARE INSTRUCTIONS

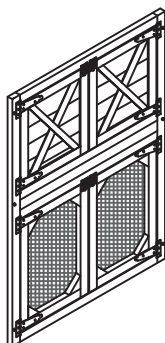
Thank you for choosing ZOOVILLAS<sup>™</sup> EXTENDED COUNTRY STYLE CHICKEN COOP. With a little care and maintenance, ZOOVILLAS<sup>™</sup> EXTENDED COUNTRY STYLE CHICKEN COOP will provide your pet with comfort and enjoyment for many years to come!

- To clean panels, use clean water on a damp cloth.
- When assembling ZOOVILLAS<sup>™</sup> EXTENDED COUNTRY STYLE CHICKEN COOP, please handle all panels and/or hardware with care to avoid any possibilities of damages and/or injuries.
- Cover during harsh weather to keep it from weathering.
- It is highly recommended that you treat ZOOVILLAS<sup>™</sup> EXTENDED COUNTRY STYLE CHICKEN COOP with a weather-proof coating of stain once a year, to increase life expectancy and maintain the look.



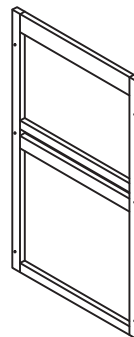
**NOTE:** Please read all instructions carefully before starting assembly. Also, we recommend that the unit is fully assembled on a level surface. Two people are recommended to assemble this product. **DO NOT** over torque screws and bolts.

1



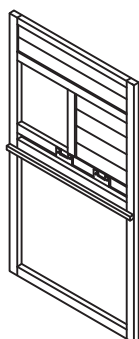
X 1PC

2



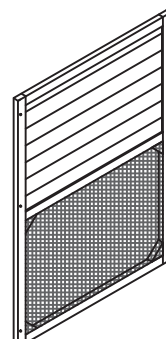
X 1PC

3



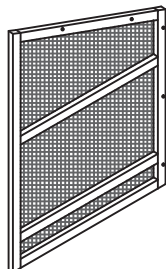
X 1PC

4



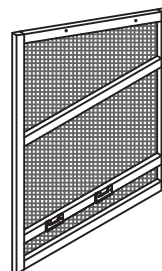
X 1PC

5



X 1PC

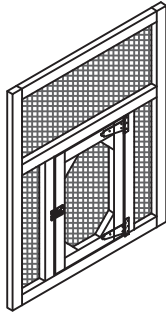
6



X 1PC

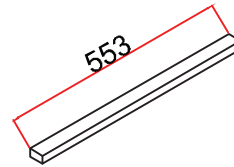
NOTE: Please read all instructions carefully before starting assembly.  
Also, we recommend that the unit is fully assembled on a level surface.  
Two people are recommended to assemble this product.  
DO NOT over torque screws and bolts.

7



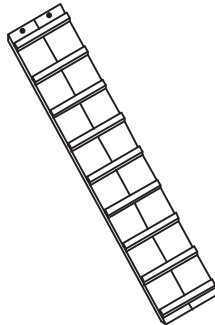
X 1PC

8



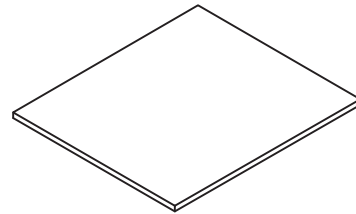
X 2PCS

9



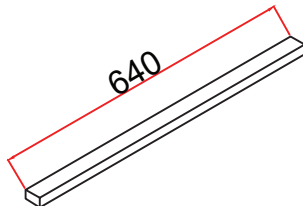
X 1PC

10



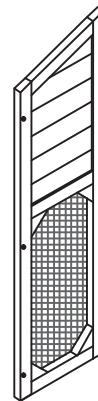
X 1PC

11



X 2PCS

12



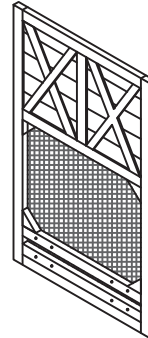
X 1PC

NOTE: Please read all instructions carefully before starting assembly.  
Also, we recommend that the unit is fully assembled on a level surface.  
Two people are recommended to assemble this product.  
DO NOT over torque screws and bolts.



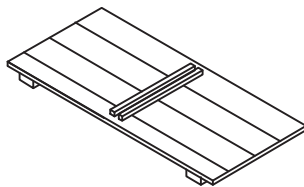
13

X 1PC



14

X 1PC



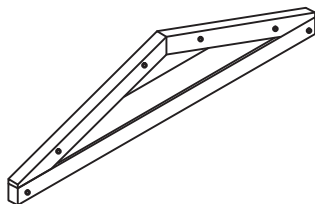
15

X 1PC



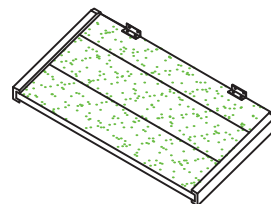
16

X 1PC



17

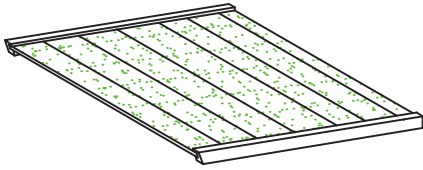
X 2PCS



18

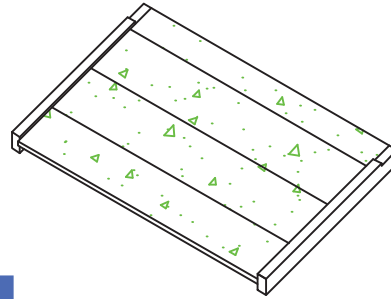
X 1PC

NOTE: Please read all instructions carefully before starting assembly.  
Also, we recommend that the unit is fully assembled on a level surface.  
Two people are recommended to assemble this product.  
DO NOT over torque screws and bolts.



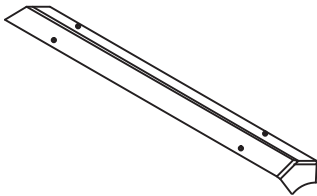
19

X 1PC



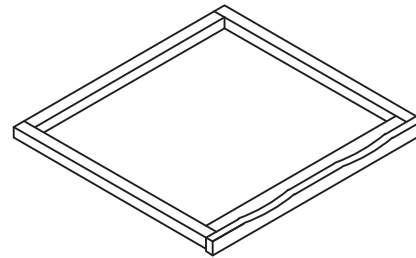
20

X 2PCS



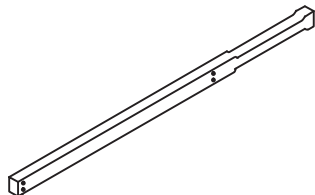
21

X 1PC



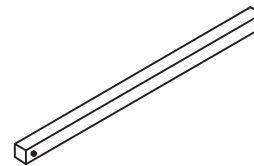
22

X 1PC



23








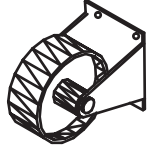
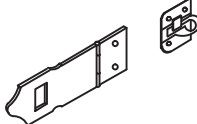
X 2PCS

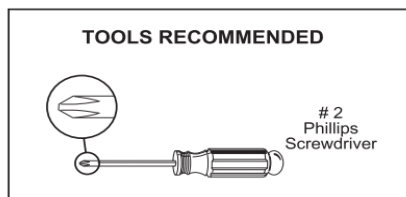


24

X 1PC

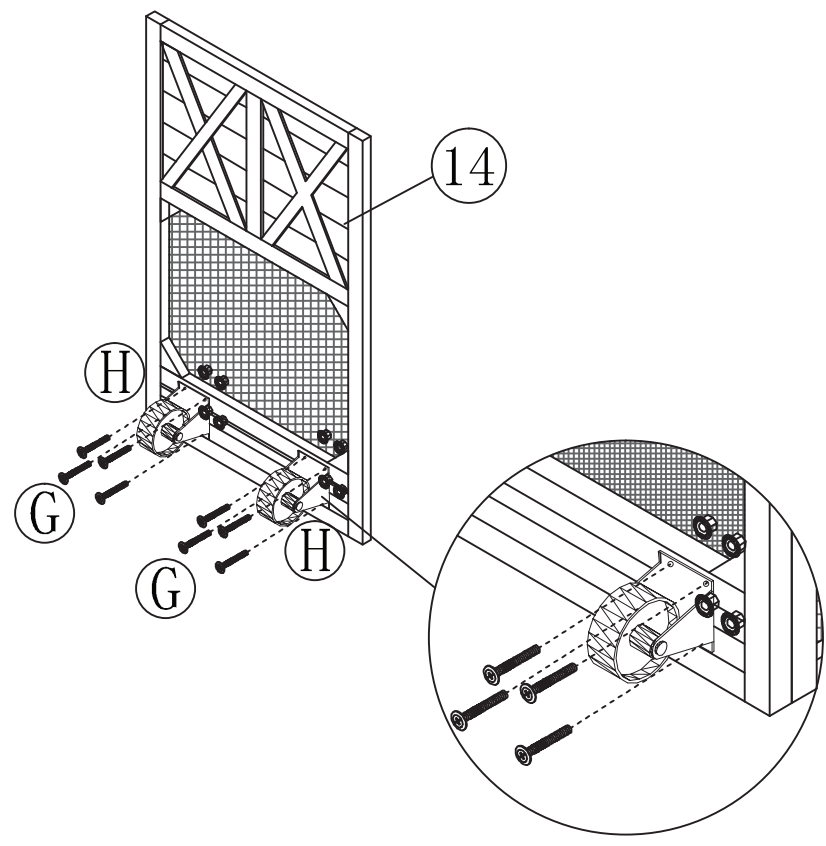
NOTE: Please read all instructions carefully before starting assembly.  
Also, we recommend that the unit is fully assembled on a level surface.  
Two people are recommended to assemble this product.  
DO NOT over torque screws and bolts.

A		SCREW 3.5x60	_____	6 PCS
B		SCREW 3.5x45	_____	42 PCS
C		SCREW 3.5x40	_____	12PCS
D		SCREW 3.5x25	_____	6 PCS
E		SCREW 3.0x23	_____	1 PC
F		SCREW 3.0x14	_____	10 PCS
G		M6x30	_____	8 PCS
H			_____	2PCS
I			_____	1PC



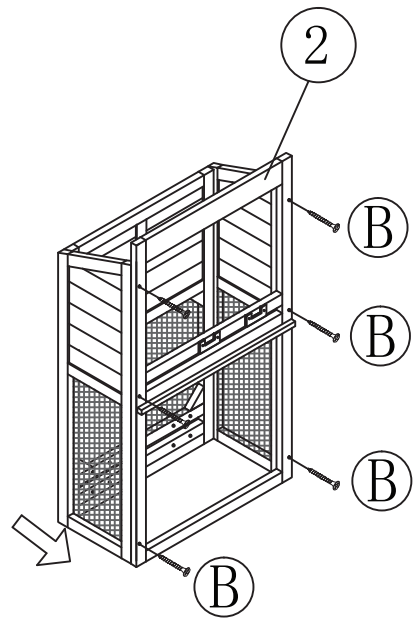
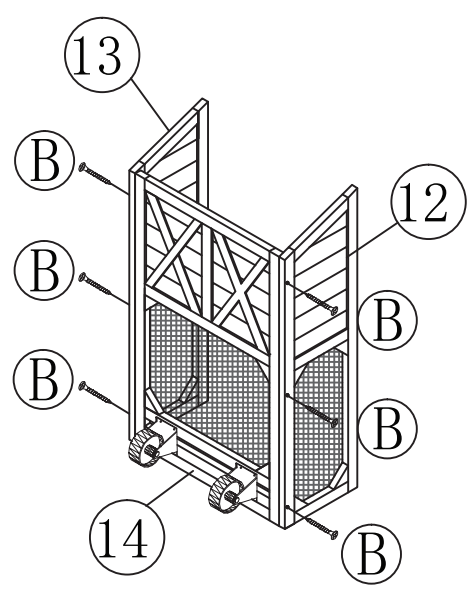
NOTE: Please read all instructions carefully before starting assembly. Also, we recommend that the unit is fully assembled on a level surface. Two people are recommended to assemble this product.  
**DO NOT over torque screws and bolts.**

1

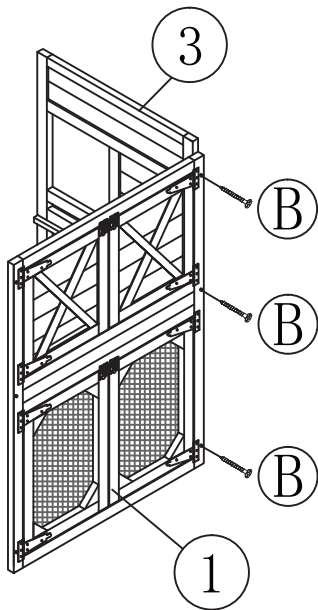


2

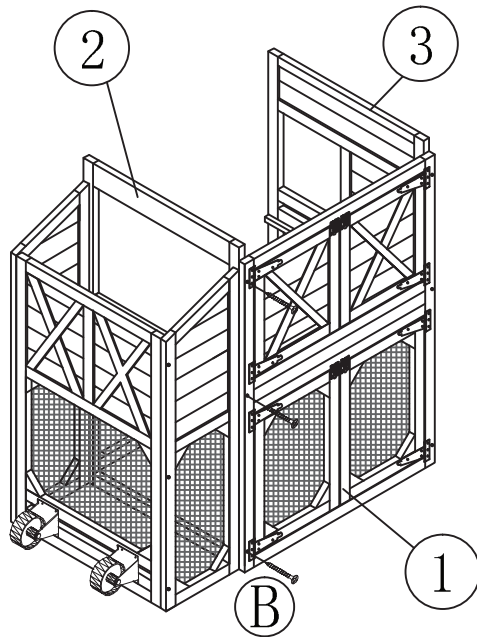
3



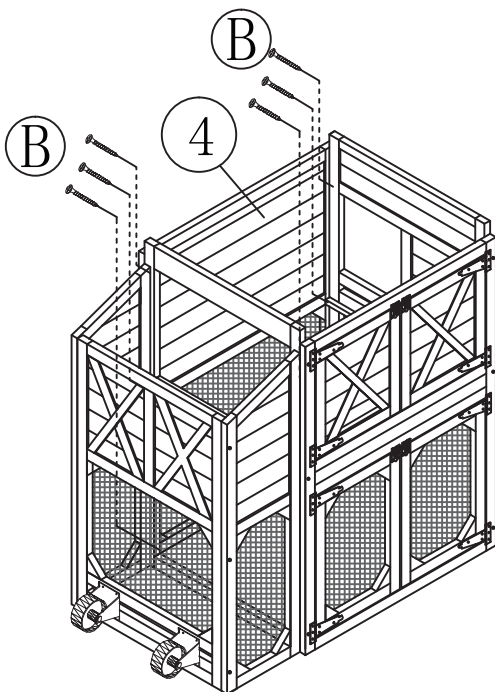
4



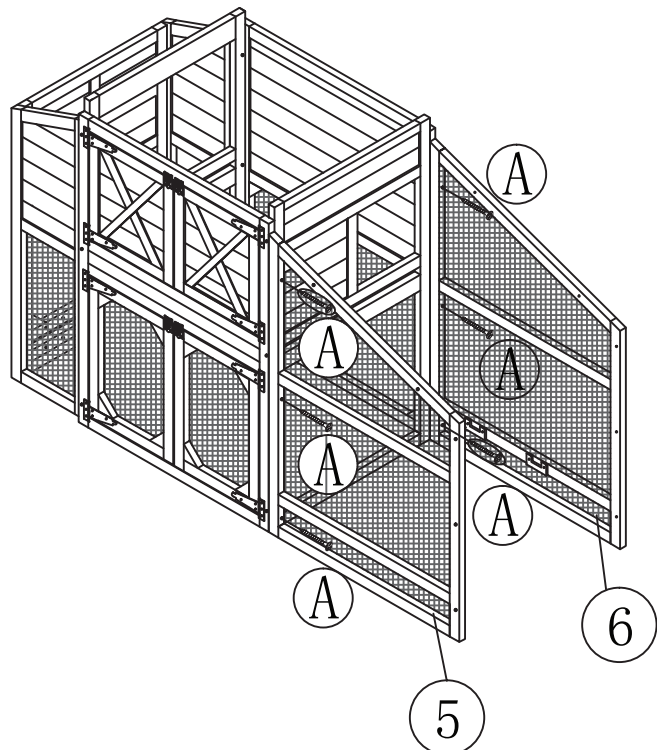
5



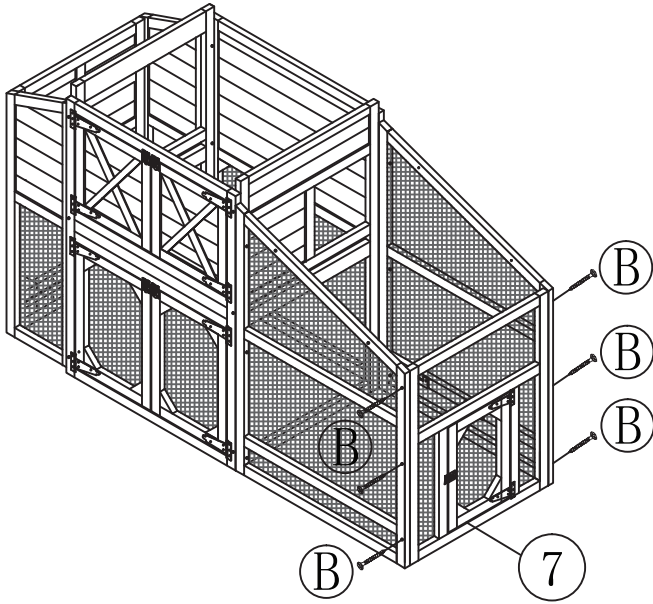
6



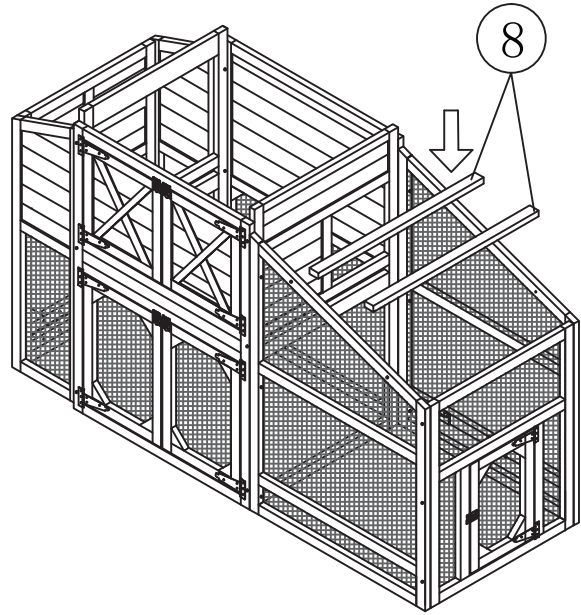
7



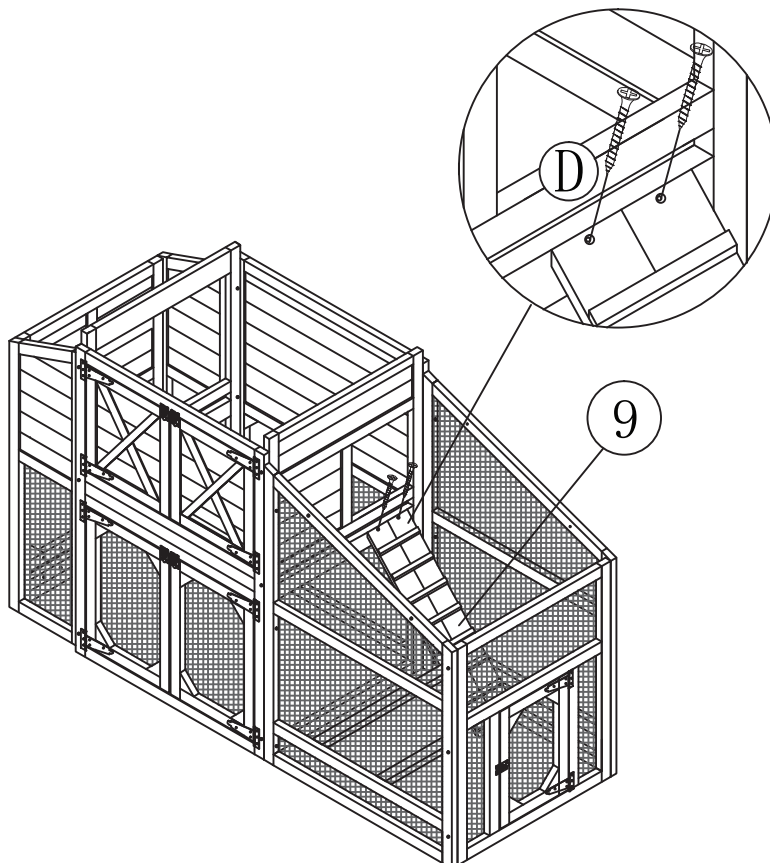
8



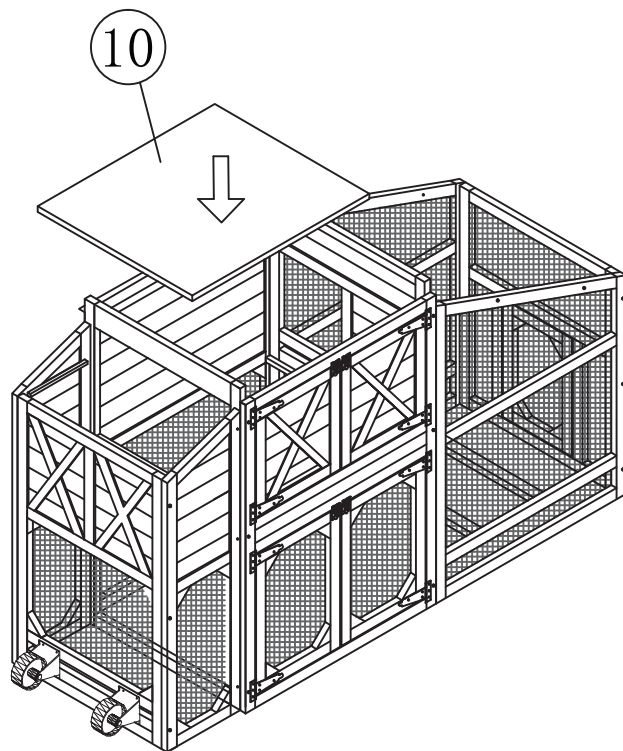
9



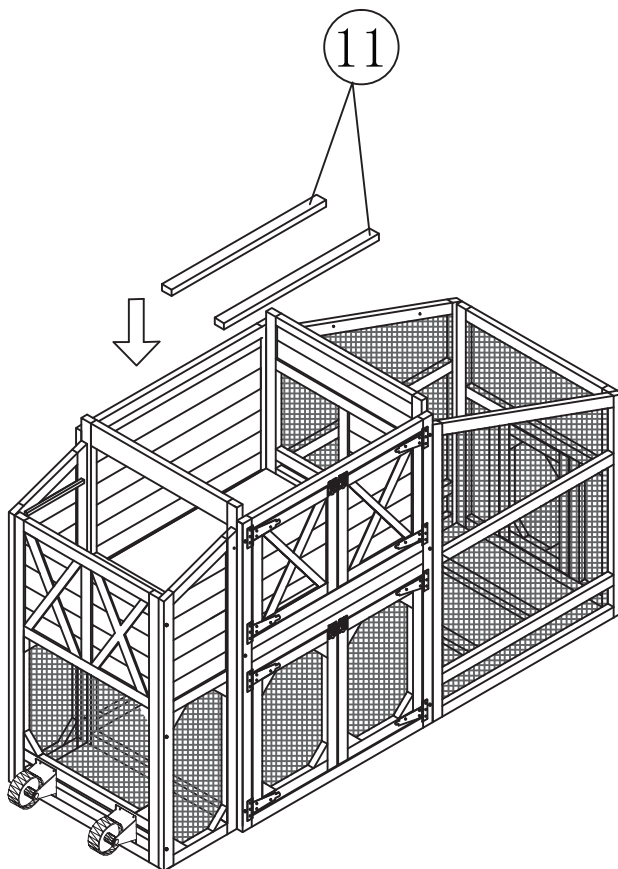
10



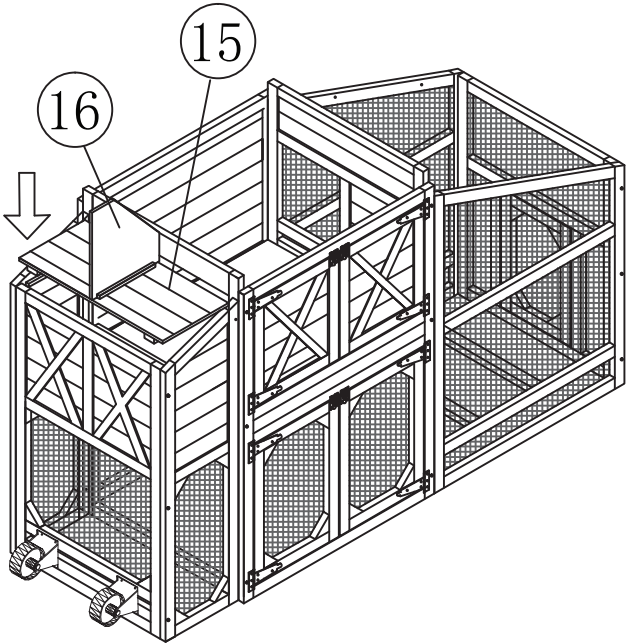
13



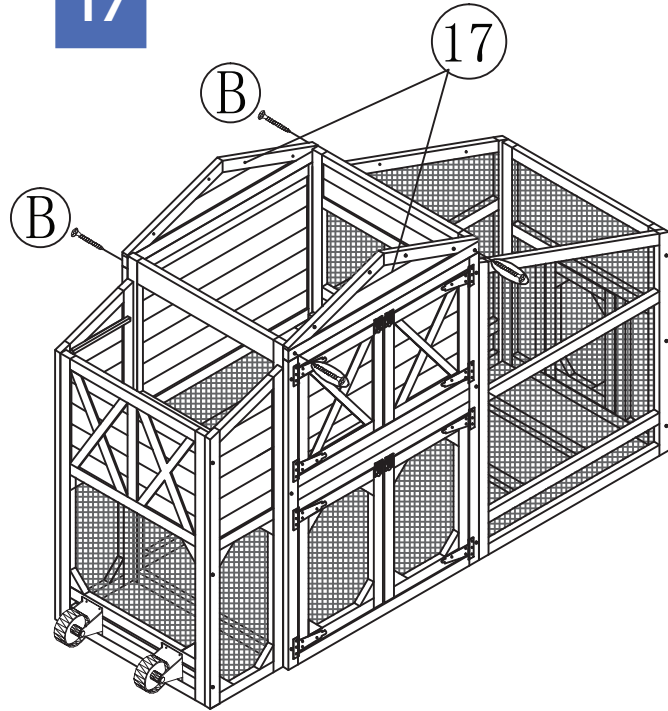
15



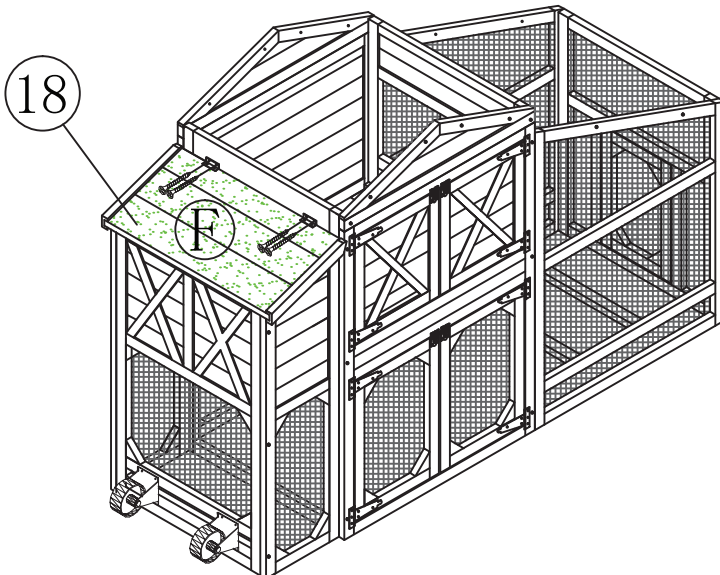
16



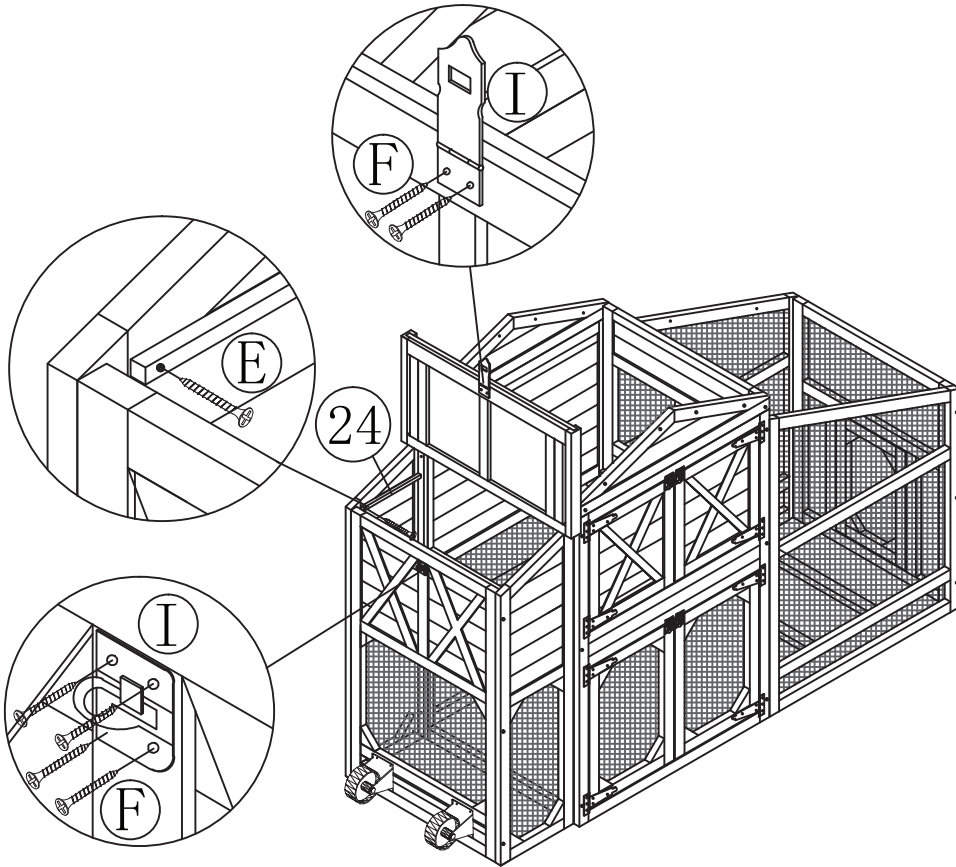
17



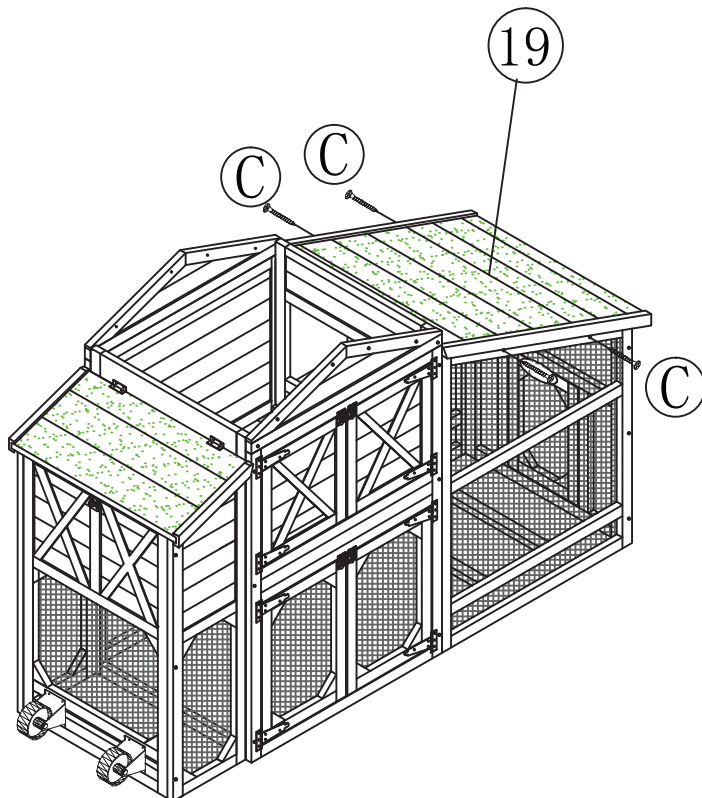
18



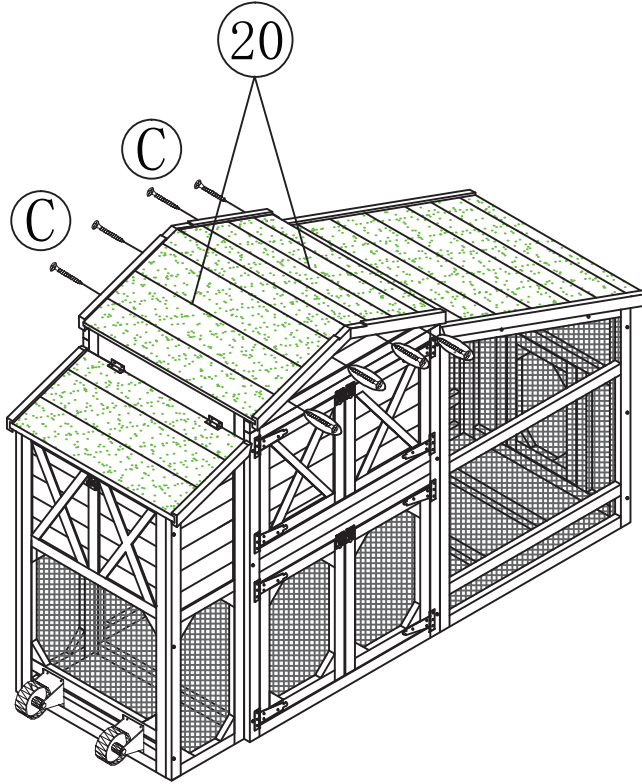
19



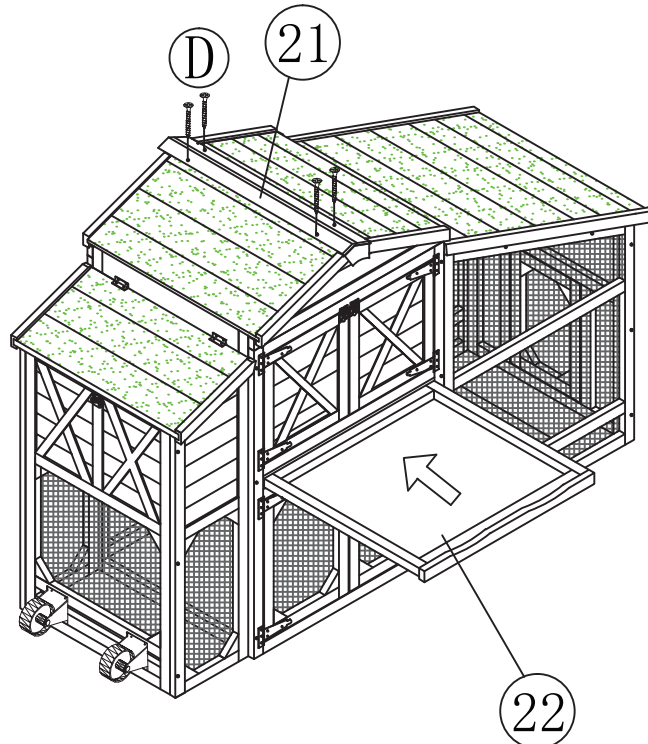
20



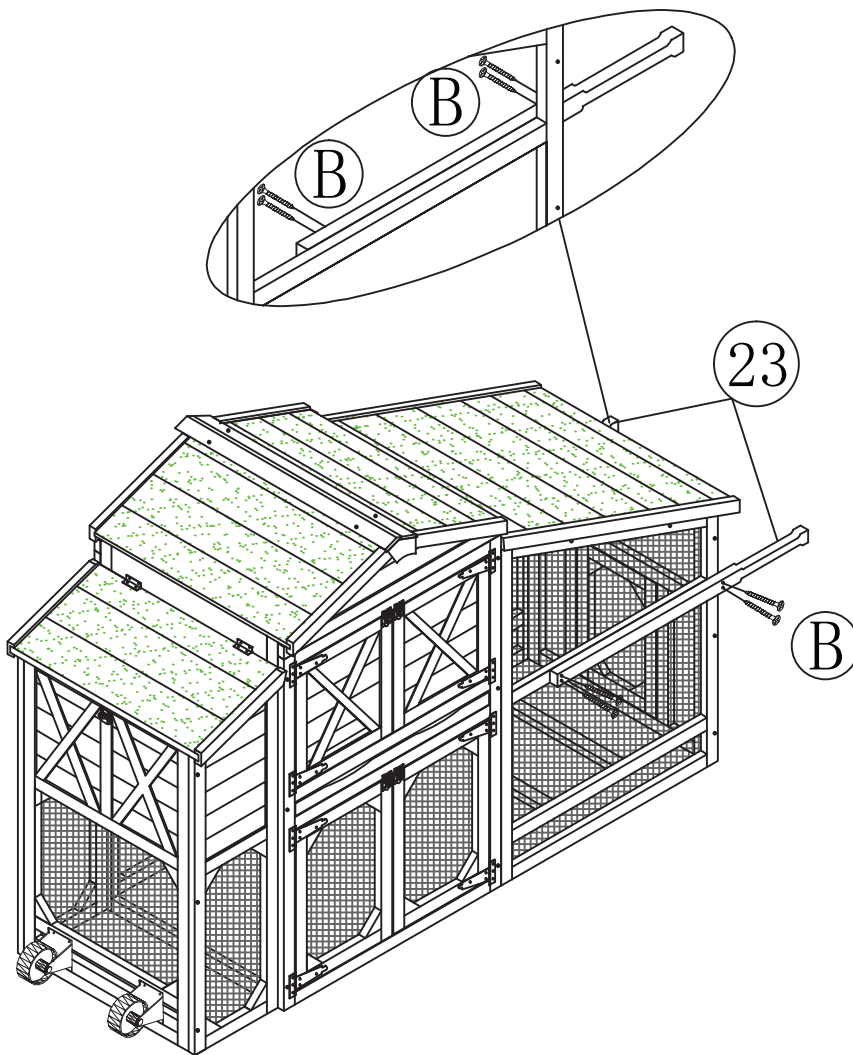
21



22



23



Please check contents before assembly. If any items are missing or damaged, do not take the unit back to the store. Call (775) 629-5029 or email: [service@merryproducts.com](mailto:service@merryproducts.com) for customer service and we will save you time by correcting any problems directly for you.

NOTE: Please read all instructions carefully before starting assembly. Also, we recommend that the unit is fully assembled on a level surface. Two people are recommended to assemble this product. DO NOT over torque screws and bolts.