

BLUEGRASS *Living*

OWNER'S OPERATION AND INSTALLATION MANUAL

MODELS:

CM300-3-AS

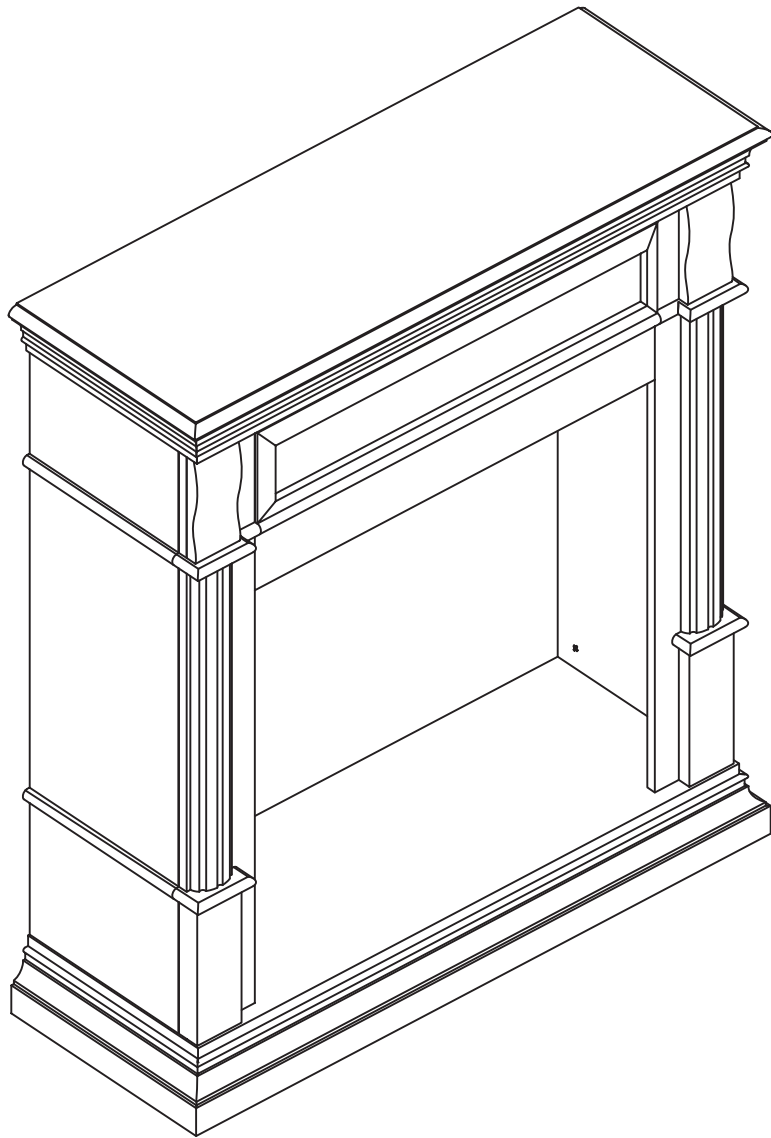
SKU# 170778

CM300-3-GR

SKU# 170665

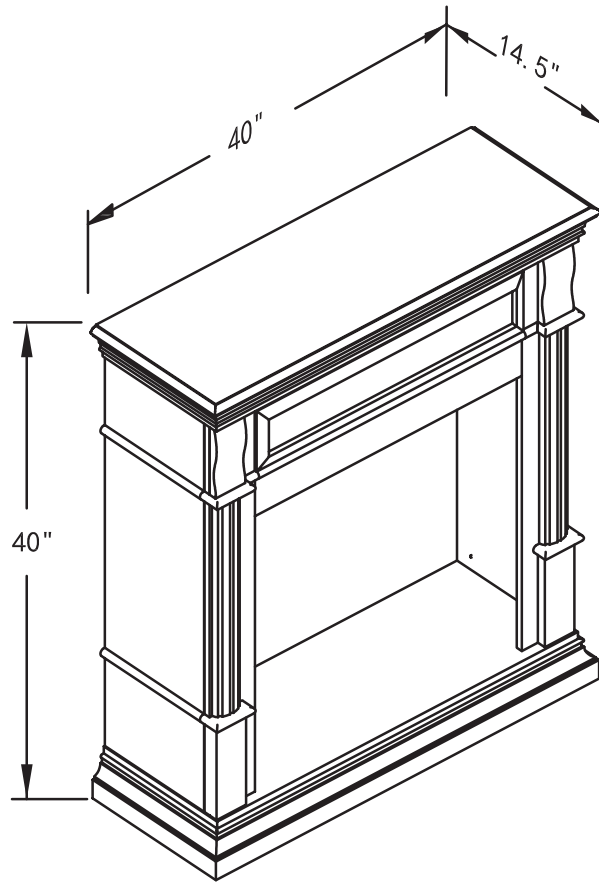
CM300-3-WT

SKU# 170588



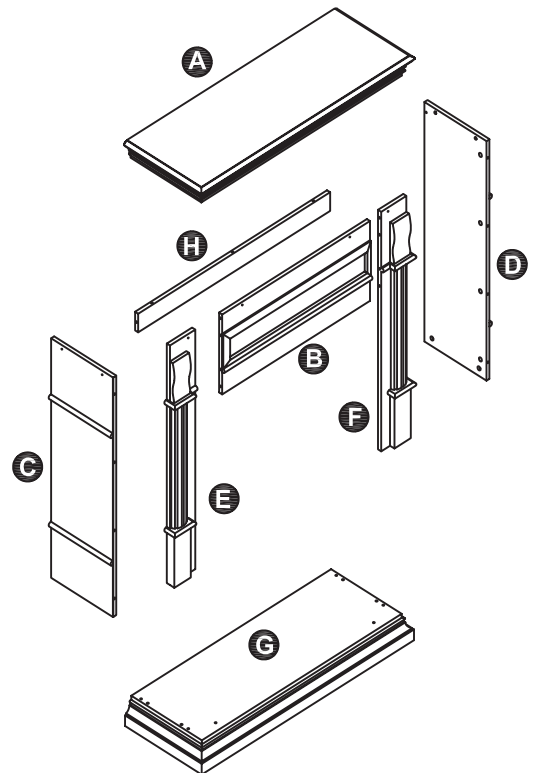
Questions, problems, missing parts? Before returning to your retailer, call our customer service department at 1-866-762-4050, 8:00 am - 4:30 pm EST, Monday through Friday or email service@bluegrassliving.com

PRODUCT DIMENSIONS



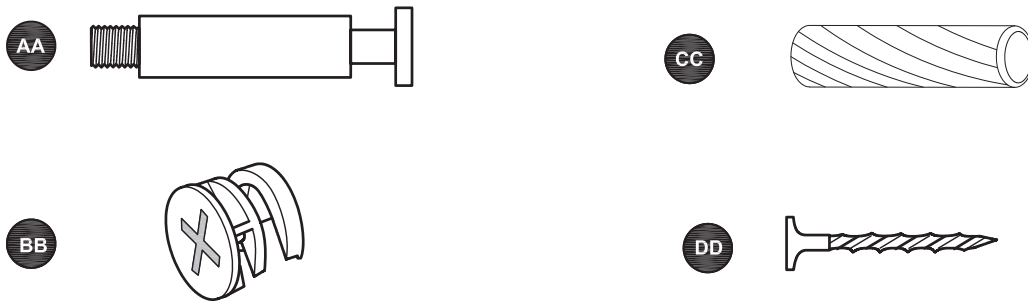
PACKAGE CONTENTS

ITEM	PART NUMBER	DESCRIPTION	QTY
A	CM300-3-A-(WT, GR, AS)	Top	1
B	CM300-3-B-(WT, GR, AS)	Front Panel	1
C	CM300-3-C-(WT, GR, AS)	Left Side Panel	1
D	CM300-3-D-(WT, GR, AS)	Right Side Panel	1
E	CM300-3-E-(WT, GR, AS)	Left Front Side Panel	1
F	CM300-3-F-(WT, GR, AS)	Right Front Side Panel	1
G	CM300-3-G-(WT, GR, AS)	Base	1
H	CM300-3-H-(WT, GR, AS)	Back Crossbar	1



NOTICE: If a part is missing or damaged, do not return to the store. Please call our customer service department for replacement parts.

HARDWARE CONTENTS



ITEM	PART NUMBER	DESCRIPTION	QTY
	CM300-3-HD	Hardware Package	1
AA	CM300-3-AA	Cam Dowel	23
BB	CM300-3-BB	Cam Lock	23
CC	CM300-3-CC	Wood Dowel	8
DD	CM300-3-DD	Wood Screw	8
EE	CM300-3-EE	Anti Tip Kit	1

⚠ WARNING: When tightening screws, do not over tighten, this may cause threads to strip. We recommend using a hand-held screwdriver rather than a power screwdriver.

⚠ WARNING: Do not force screws into holes.

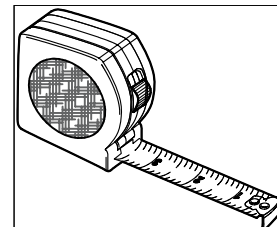
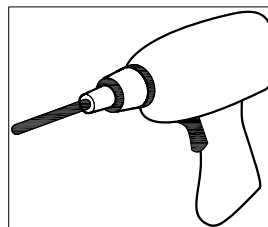
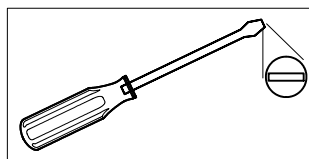
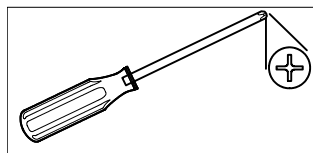
⚠ CAUTION: If baseboards are installed where the fireplace is intended to be displayed, the fireplace will not fit flush against the wall. For a proper flush fit, it may be necessary to remove part of the baseboard mold.

PREPERATION

Before beginning assembly, make sure all hardware contents are present. Compare parts list with package contents list and diagram on page 4. If any part is missing or damaged, do not attempt to assemble the product. Contact our customer service department for replacement parts.

Estimated Assembly Time: 60 minutes

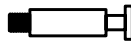

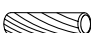
Tools Required For Assembly: Phillips Screwdriver, Flathead Screwdriver, Drill, and Tape Measure



ASSEMBLY INSTRUCTIONS

1. Insert the cam Locks (BB) into the left front Side panel (E), and then Right front Side panel (F). Screw in the cam Dowels (AA) Panel (B). Insert wood Dowels (CC) into panel (B) Fix it by tightening the cam, as shown in Figure 1.

Hardware Used

- AA** 4) Cam Dowel 
- BB** 4) Cam Lock 
- CC** 4) Wood dowel Ø8*30mm 

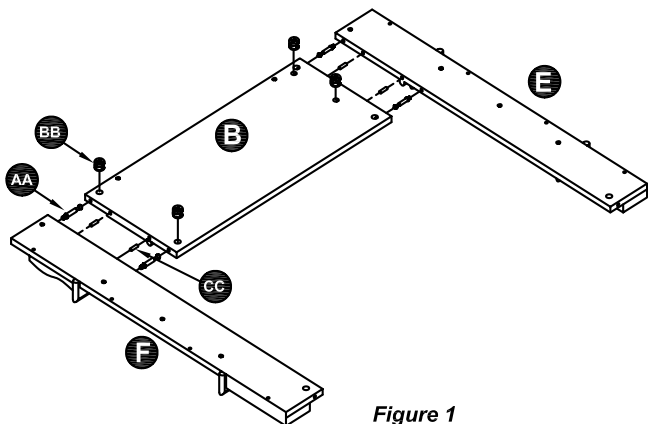
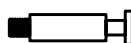



Figure 1

2. Insert the cam Locks (BB) Tighten the cam Dowels (AA) into the Back Crossbar (H) position on the back and up Right side panel (D) and left side panel (C) Secure it by tightening the cam Locks (BB) As shown in Figure 2.

Hardware Used

- AA** 2) Cam Dowel 
- BB** 2) Cam Lock 

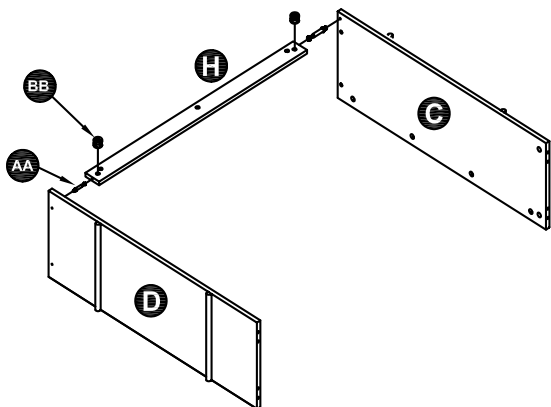
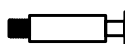



Figure 2

3. Insert the cam Locks (BB) into the left side panel (C), and then Right side panel (D). Screw in the cam Dowels (AA) Left front side panel (E) and right front side panel (F). Fix it by tightening the cam, as shown in Figure 3.

Hardware Used

- AA** 8) Cam Dowel 
- BB** 8) Cam Lock 

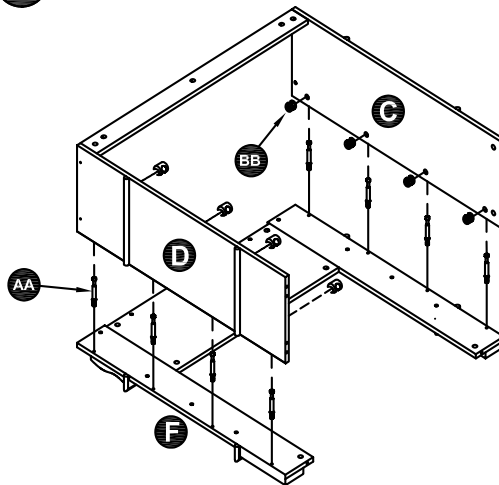
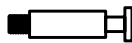




Figure 3

4. First, flip the previously assembled frame and insert the cam Locks (BB) and wood Dowels (CC) into the left side panel (C) and right side panel (D), respectively. Screw the cam Dowels (AA) into the Base (G). Secure it by tightening the cam Locks (BB), as shown in Figure 4.

Hardware Used

- AA** 6) Cam Dowel 
- BB** 6) Cam Lock 
- CC** 4) Wood dowel Ø8*30mm 

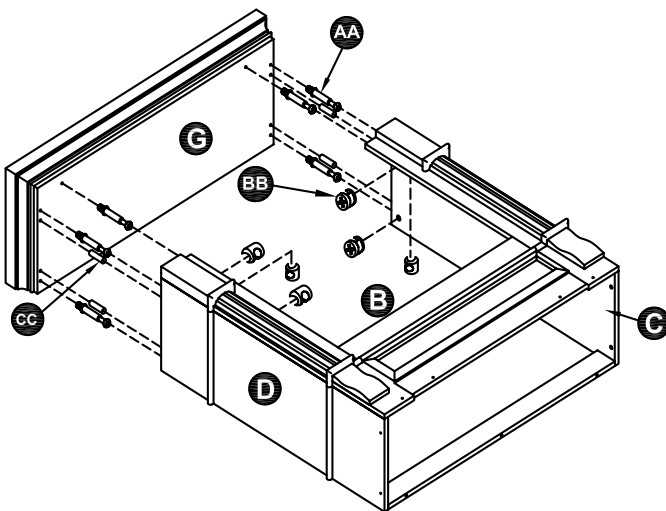



Figure 4

ASSEMBLY INSTRUCTIONS

5. Flip the previously assembled frame and insert the cam Locks (BB) into the Back Crossbar (H). Screw the cam Dowels (AA) into the Top (A). Secure it by tightening the cam Locks (BB), as shown in Figure 5.

Hardware Used

AA 3) Cam Dowel 

BB 3) Cam Lock 

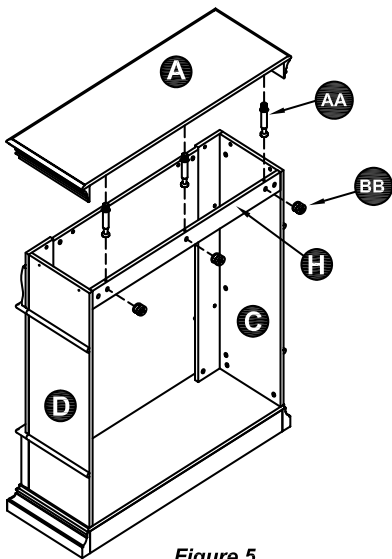



Figure 5

6. Flip the previously assembled frame over and secure it by tightening the Screws (DD), as shown in Figure 6.

Hardware Used

DD 8) Screw 1" 

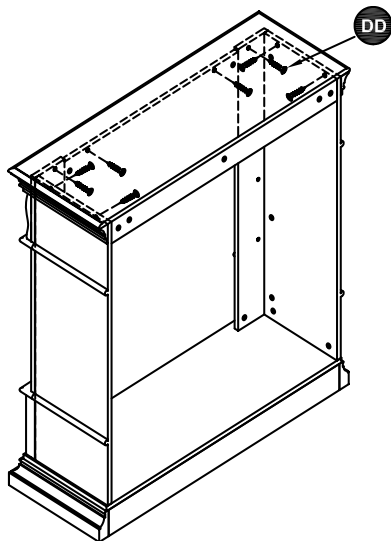


Figure 6

7. After assembling the mantel, lift to the upright position. Carefully, push the fireplace insert from the front of the mantel as shown in Figure 7.

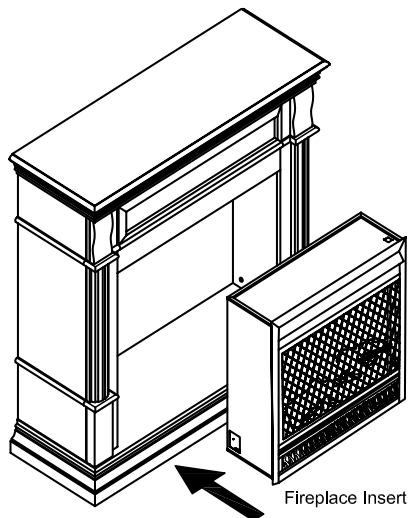


Figure 7

8. Position the fireplace to the desired location as shown in Figure 9.

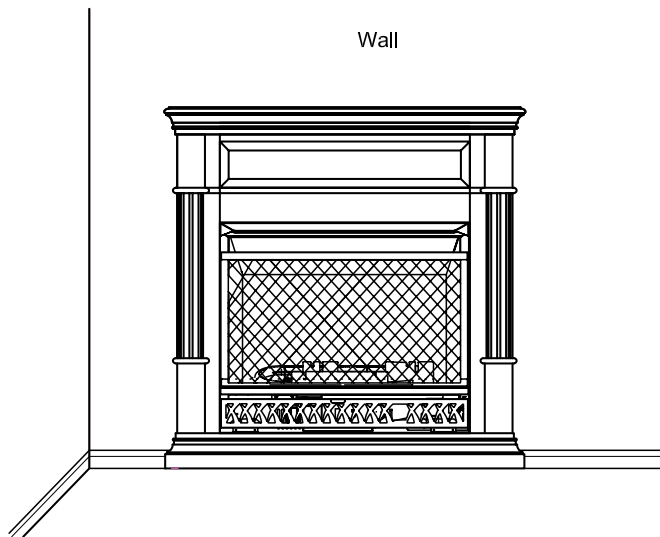


Figure 8

9. Install *Anti Tip Kit (EE)*, as shown in Figure 9.

Hardware Used



Anti Tip Kit

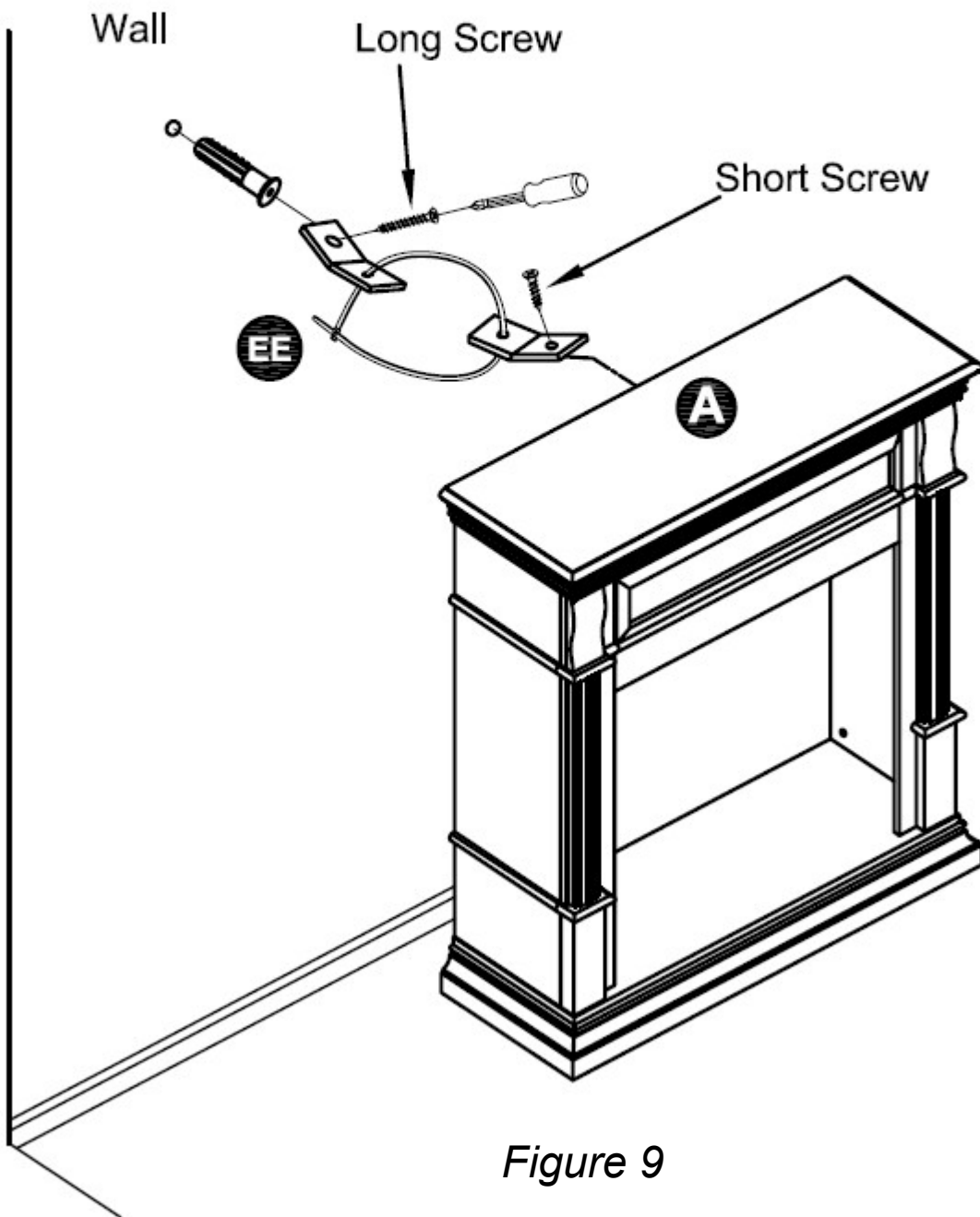


Figure 9

WARRANTY

KEEP THIS WARRANTY

Model _____

Serial No. _____

Date Purchased _____

Keep receipt for warranty verification.

REGISTER YOUR PRODUCT AT WWW.BLUEGRASSLIVING.COM

BLUEGRASS LIVING, INC. LIMITED WARRANTIES

New Products

Standard Warranty: Bluegrass Living, Inc. warrants this new product and any parts thereof to be free from defects in material and workmanship for a period of one (1) year from the date of first purchase from an authorized dealer provided the product has been installed, maintained and operated in accordance with Bluegrass Living, Inc.'s warnings and instructions.

For products purchased for commercial, industrial or rental usage, this warranty is limited to 90 days from the date of first purchase.

Factory Reconditioned Products

Limited Warranty: Bluegrass Living, Inc. warrants factory reconditioned products and any parts thereof to be free from defects in material and workmanship for a period 30 days from the date of first purchase from an authorized dealer provided the product has been installed, maintained and operated in accordance with Factory Buys Direct's warnings and instructions. No return will be authorized. Parts will be provided to repair the product.

Terms Common to All Warranties

The following terms apply to all of the above warranties:

Always specify model number and serial number when contacting the manufacturer. To make a claim under this warranty, the bill of sale or other proof of purchase must be presented.

This warranty is extended only to the original retail purchaser when purchased from an authorized dealer, and only when installed by a qualified installer in accordance with all local codes and instructions furnished with this product.

This warranty covers the cost of part(s) required to restore this product to proper operating condition and an allowance for labor when provided by a Bluegrass Living, Inc. Authorized Service Center or a provider approved by Bluegrass Living, Inc.. Warranty parts must be obtained through authorized dealers of this product and/or Bluegrass Living, Inc. who will provide original factory replacement parts. Failure to use original factory replacement parts will void this warranty.

Traveling, handling, transportation, diagnostic, material, labor and incidental costs associated with warranty repairs, unless expressly covered by this warranty, are not reimbursable under this warranty and are the responsibility of the owner.

Excluded from this warranty are products or parts that fail or become damaged due to misuse, accidents, improper installation, lack of proper maintenance, tampering or alteration(s).

This is Bluegrass Living, Inc.'s exclusive warranty, and to the full extent allowed by law; this express warranty excludes any and all other warranties, express or implied, written or verbal and limits the duration of any and all implied warranties, including warranties of merchantability and fitness for a particular purpose to one (1) year on new products and 30 days on factory reconditioned products from the date of first purchase.

Bluegrass Living, Inc. makes no other warranties regarding this product.

Bluegrass Living, Inc.'s liability is limited to the purchase price of the product and Bluegrass Living, Inc. shall not be liable for any other damages whatsoever under any circumstances including direct, indirect, incidental, or consequential damages.

Some states do not allow limitations on how long an implied warranty lasts or the exclusion or limitation of incidental or consequential damages, so the above limitation or exclusion may not apply to you.

This warranty gives you specific legal rights, and you may also have other rights which vary from state to state.



Bluegrass Living, Inc.
2701 Industrial Drive
Bowling Green, KY 42101
1-866-762-4050

www.bluegrassliving.com

200589-01
Rev. B
08/25

200589-01B