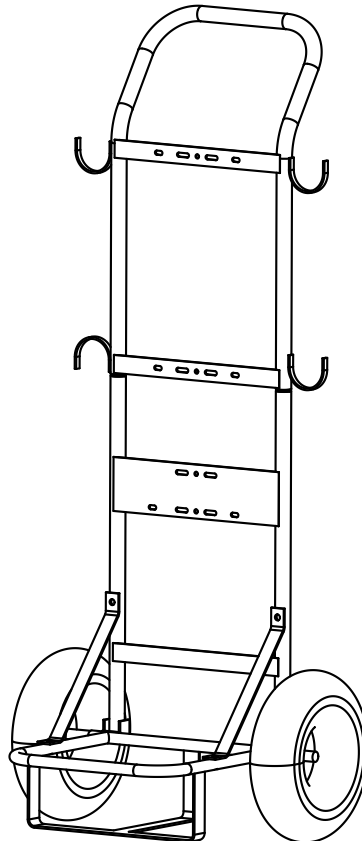
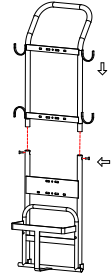


USER MANUAL

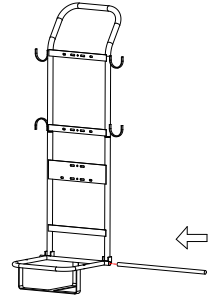
D52 Hand Dolly Cart



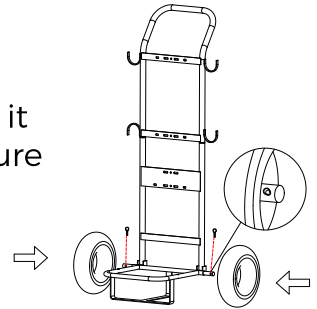
- 1 Assemble the upper and lower brackets together, then secure both sides with screws and nuts.



- 2 Rotate the gas cylinder bracket by 90 degrees, then insert the bearing into the designated position on the lower bracket.



- 3 Align the wheel with the bearing, press it into the wheel mounting hole, and secure it by inserting the retaining pin.



- 4 Align the wheel with the bearing, press it into the wheel mounting hole, and secure it by inserting the retaining pin.

