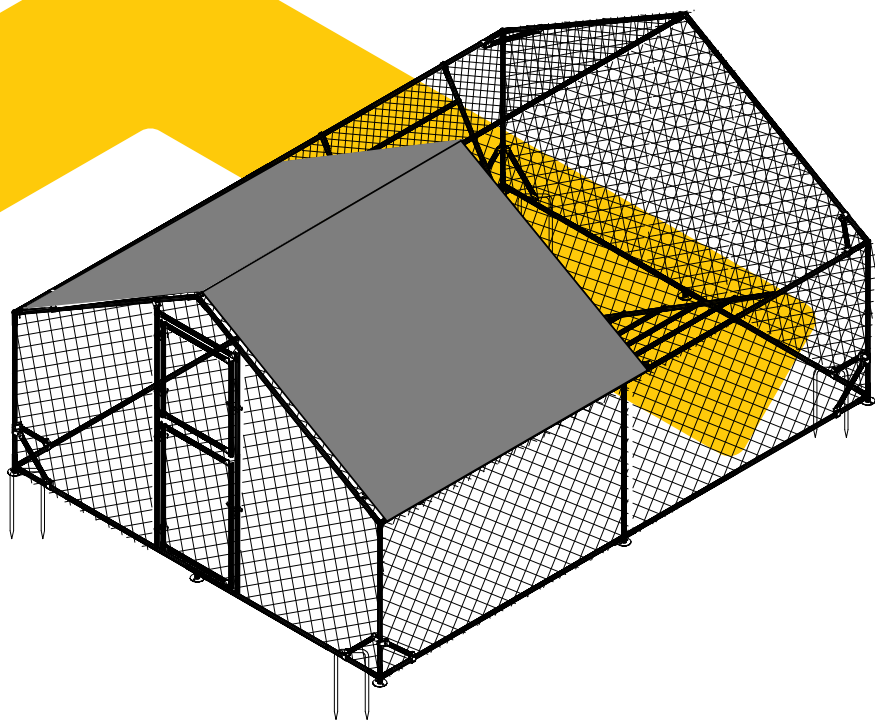


INSTRUCTION MANUAL

AIR 7023





NOTICE

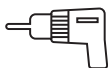
Please retain these instructions for future reference.

- Firmly secure all bolts, screws, and knobs before use.
- Check that all bolts, screws, and knobs are secure every 90 days.
- Fasten screws loosely during initial assembly. Do not fully tighten them until the item is completely assembled.
- Do not use or store this item near open flame or flammable materials.
- Be aware that some parts are heavy and have sharp edges.
- Be aware that moving parts may cause injury, crushing, or cuts.
- If any parts are missing, broken, damaged, or worn, stop using this product until repairs are made or replacement parts are installed.
- Do not use this item in a way inconsistent with the manufacturer's instructions, as this could void the product warranty.

TOOLS REQUIRED //



PHILLIPS
SCREWDRIVER



DRILL
(RECOMMENDED)



2-PERSON
ASSEMBLY



APPROXIMATELY
90 MIN ASSEMBLY

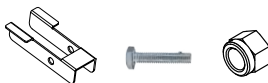
HARDWARE //

M6.0 x 45 mm bolt
16 PCS + 1 spare



P1

Door latch
2 PCS



P2

M8.0 x 37.5 mm bolt
26 PCS + 1 spare



P3

Ground hooks
14 PCS



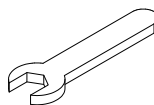
P4

Ties
200 PCS



P5

Wrench
1 PC



P6

Fixing rope for roof cover
20 PCS + 1 spare



P7

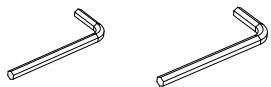
M8.0 x 25 mm bolt
24 PCS + 1 spare



P8

HARDWARE //

L-shaped Allen wrench
1PC+1PC

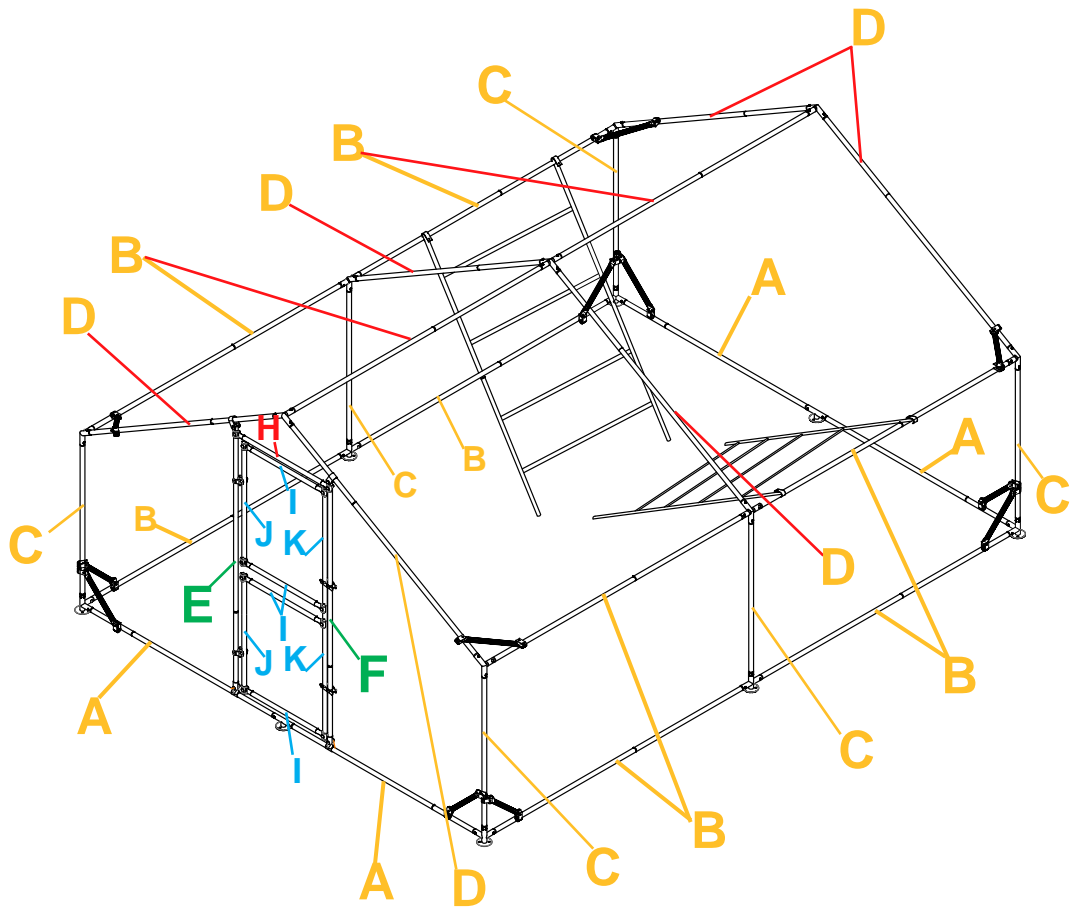


P9

Gloves
1 pair

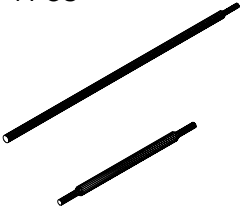


P10



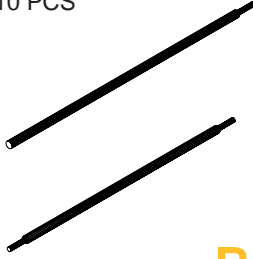
PARTS //

Bottom iron pipe for front and back side
4 PCS



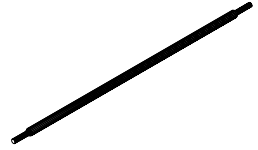
A

Iron pipe for left and right side
10 PCS



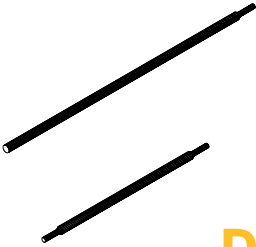
B

Vertical iron pipe
6 PCS



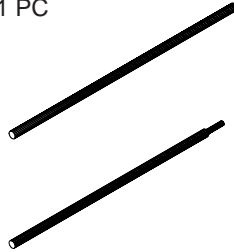
C

Roof iron pipe
6 PCS



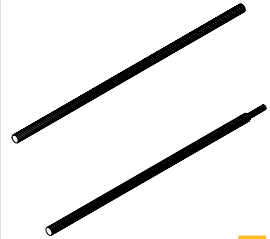
D

Left iron pipe for door frame
1 PC



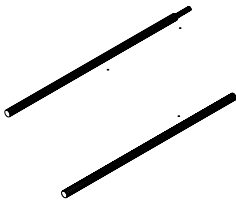
E

Right iron pipe for door frame
1 PC



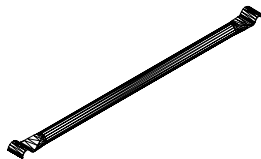
F

Side iron pipe for ladder
4 PCS



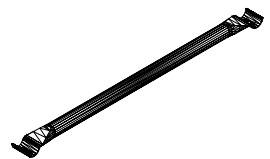
G

Top iron pipe for door frame
1 PC



H

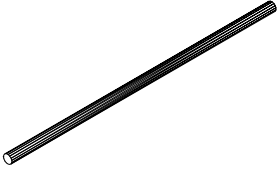
Horizontal iron pipe for opening door
4 PCS



I

PARTS

Left iron pipe for opening door
2 PCS



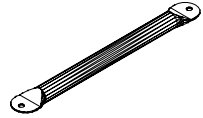
J

Right iron pipe for opening door
2 PCS



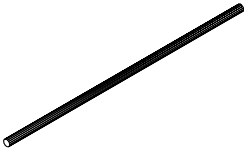
K

Corner support
12 PCS



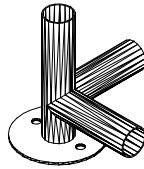
L

Horizontal iron pipe for ladder
8 PCS



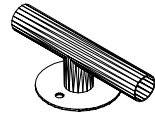
M

Three-hole bottom connector
4 PCS



N

Two-hole bottom connector
2 PCS



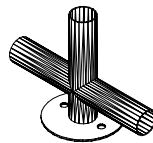
O

Three-hole connector
6 PCS



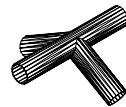
P

Three-hole bottom connector
2 PCS



Q

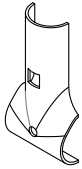
Four-hole connector
3 PCS



R

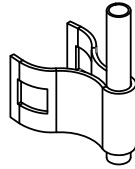
PARTS

Connector
12 PCS



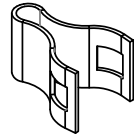
S

Door opener
4 PCS



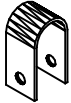
T

U-shaped plastic connector
4 PCS



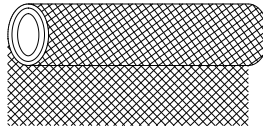
U

Top connector for door
frame
2 PCS



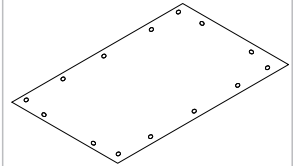
V

Wire mesh
1 PC



W

Waterproof roof cover
1 PC



X

R-shaped connector
24 PCS + 1 spare

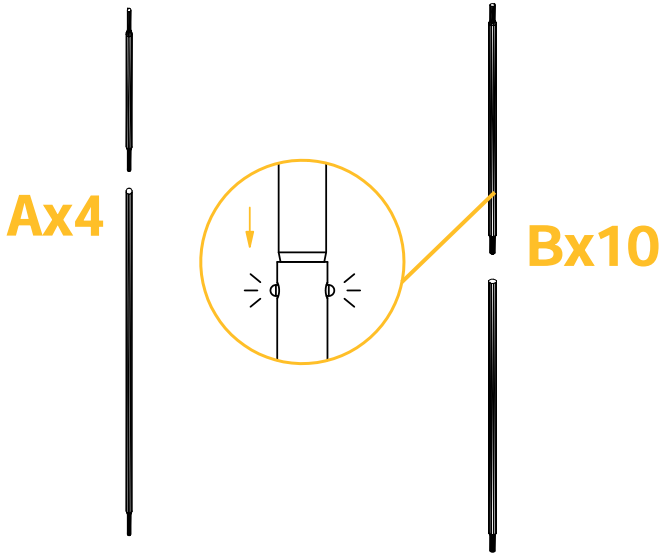


Y

PRODUCT ASSEMBLY //

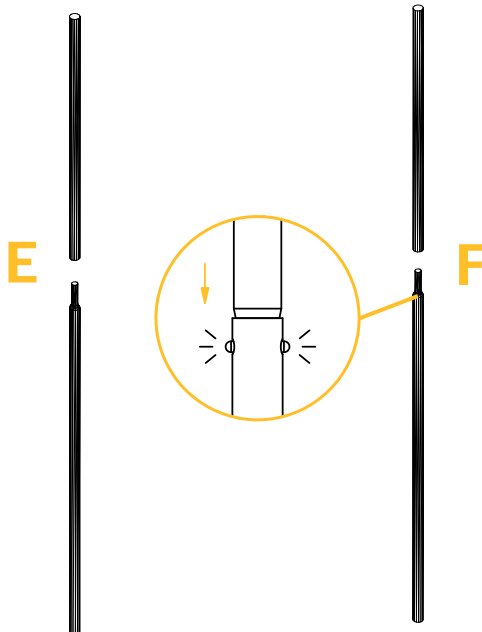
01

Connect the long and short iron pipes of Parts A and B together.



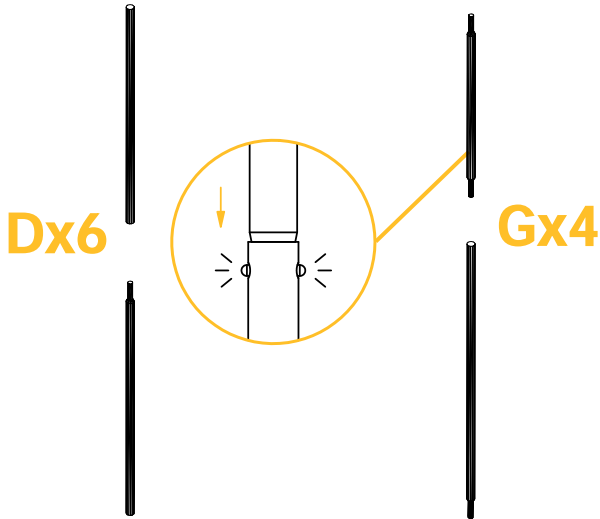
02

Connect the long and short iron pipes of Parts E and F together.

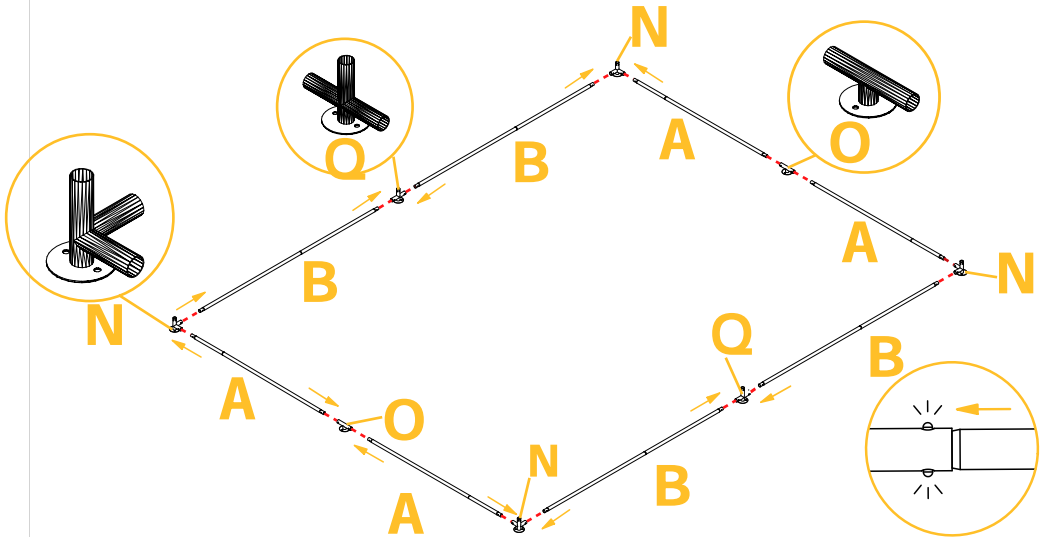


PRODUCT ASSEMBLY //

03 Connect the long and short iron pipes of Parts D and G together.

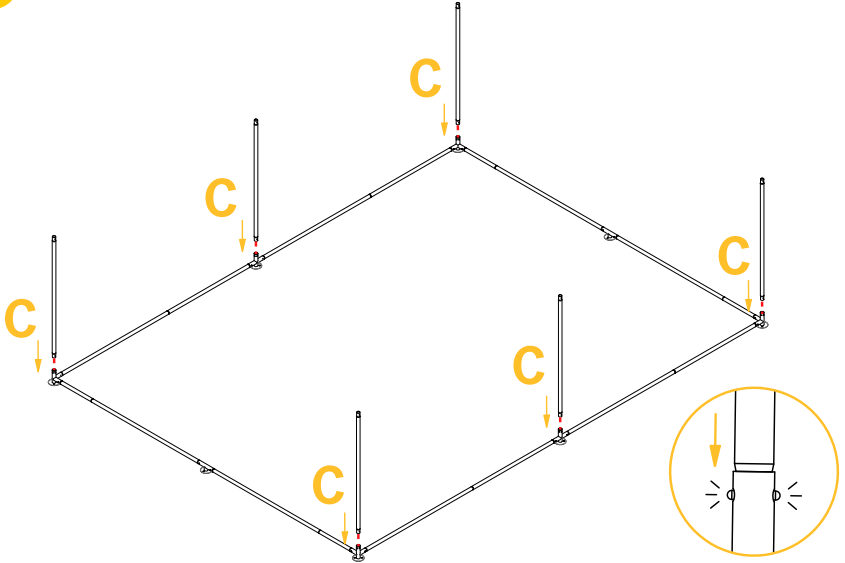


04 Connect the bottom frame (Parts A and B) together using bottom connectors Parts N, O, and Q.

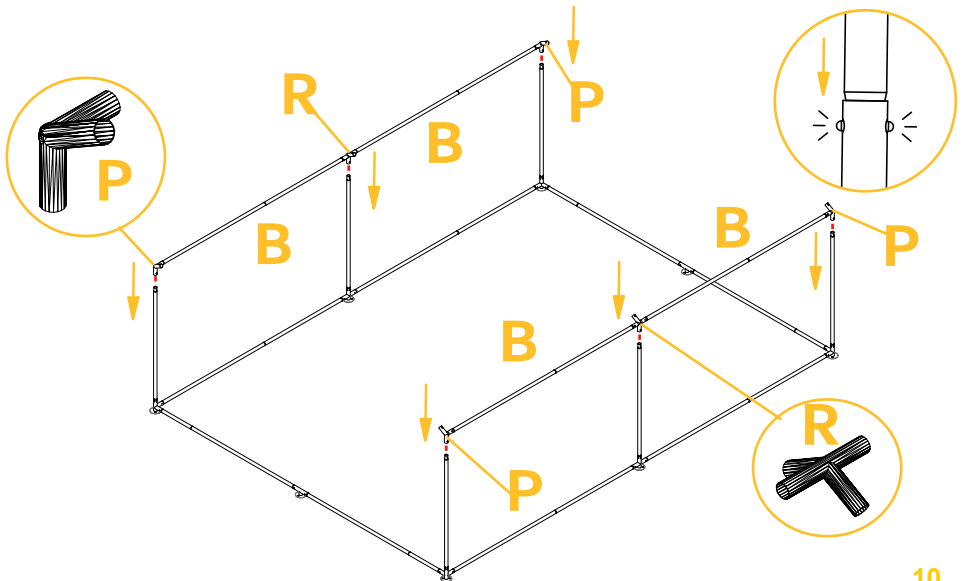


PRODUCT ASSEMBLY //

05 Insert the vertical iron pipe (Part C) into the bottom frame.

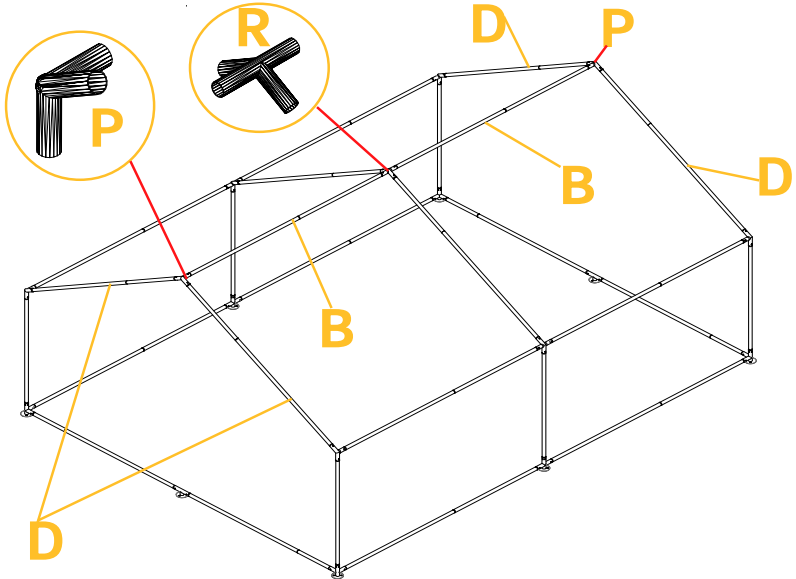


06 Attach the iron pipe (Part B) using connector Parts P & R.

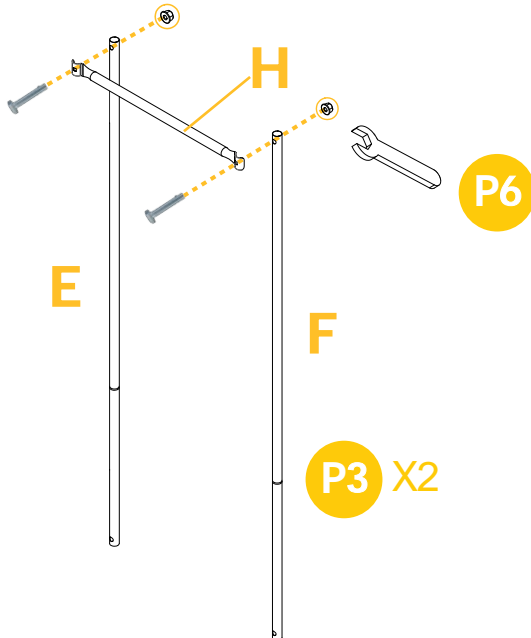


PRODUCT ASSEMBLY //

07 Attach the roof iron pipe (Parts B & D) using connector Parts P & R.



08 Connect the door frame Parts E, H, and F together using 2 x P3 bolts; please tighten with the P6 wrench.



PRODUCT ASSEMBLY //

09

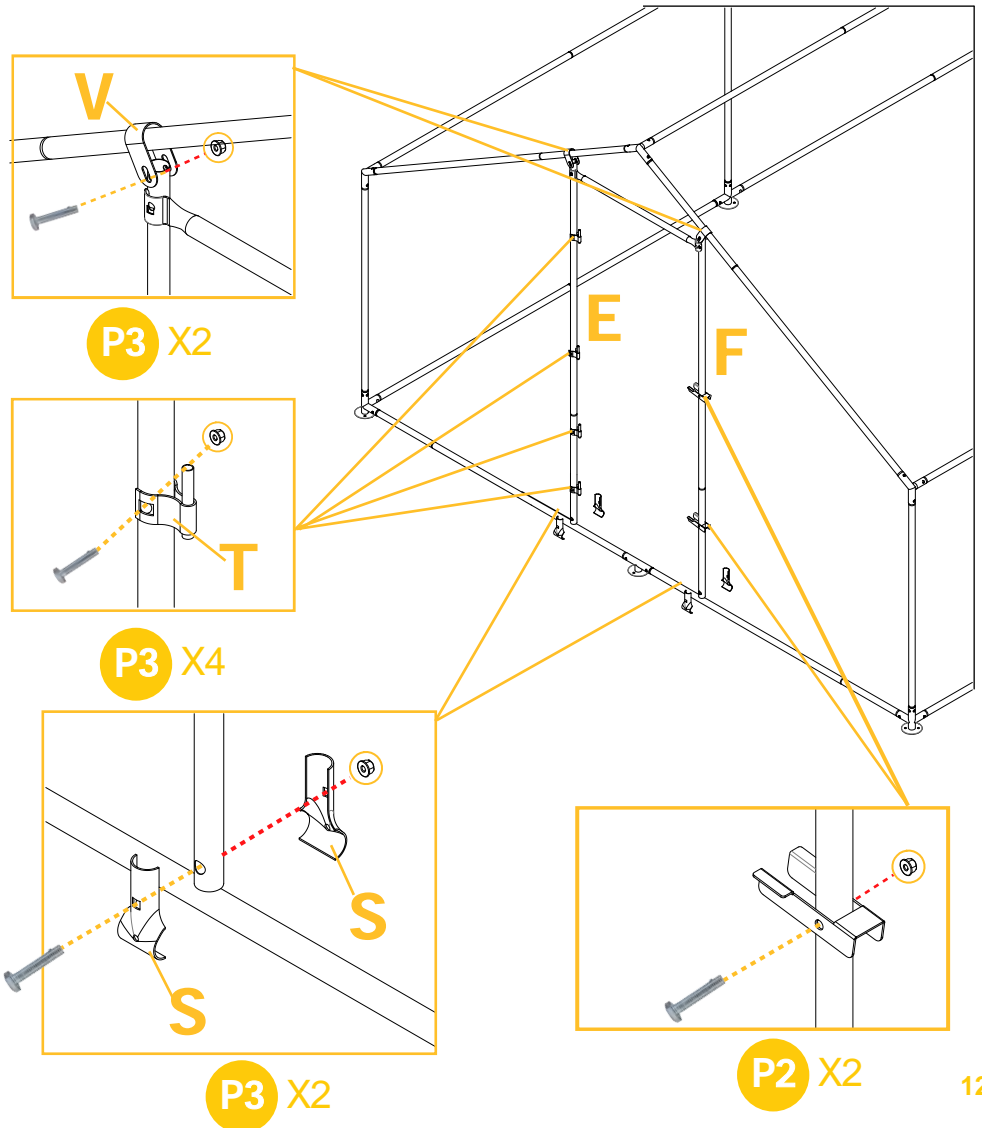
Attach the door frame to the front

Connect the top of the door frame using 1 x Part V connector and 1 x P3 bolt on each side.

Connect the bottom of the door frame using 2 x Part S connectors and 1 x P3 bolt on each side.

Attach the door opener (4 x Part T) to the pre-drilled holes on the left door frame using 4 x P3 bolts.

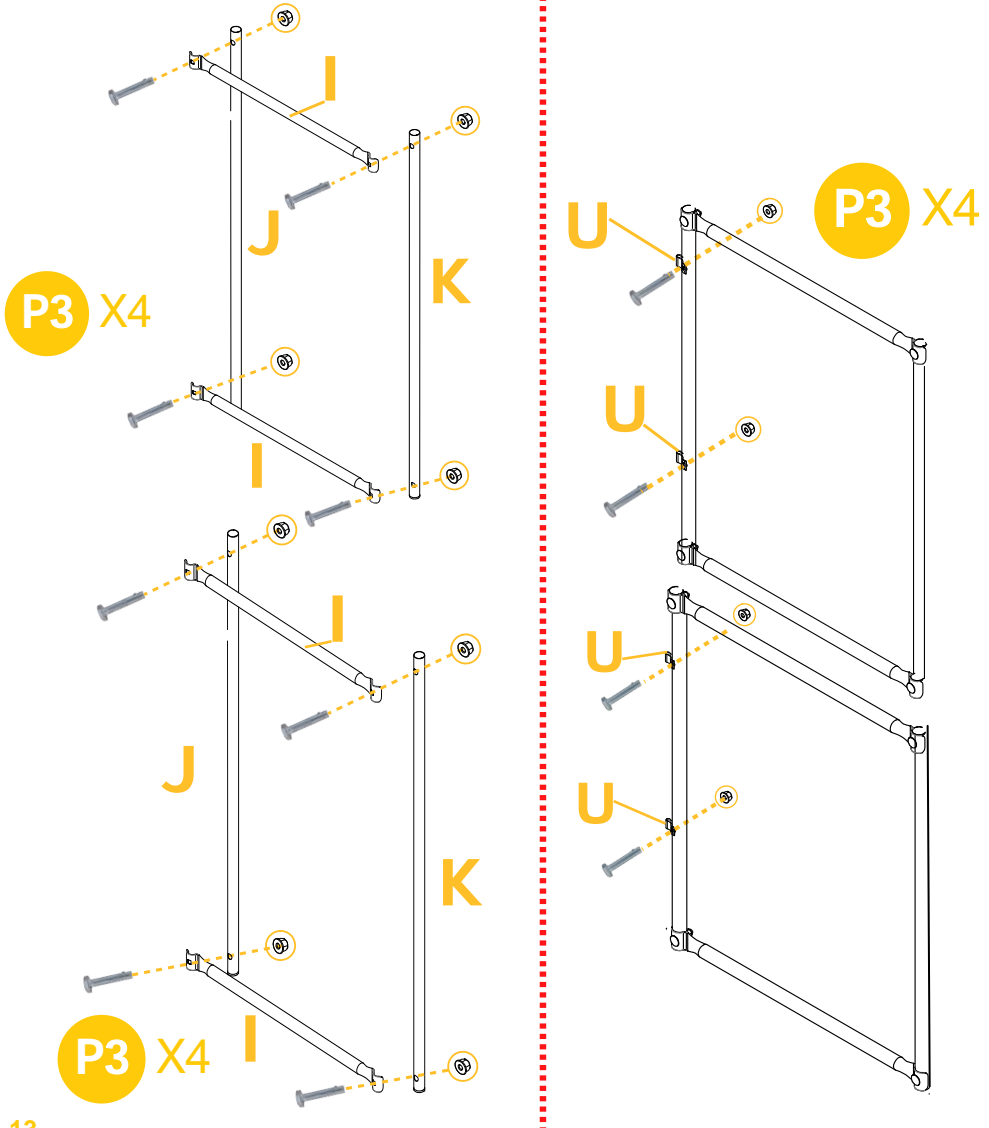
Attach 2 x P2 door latches to the right door frame.



PRODUCT ASSEMBLY

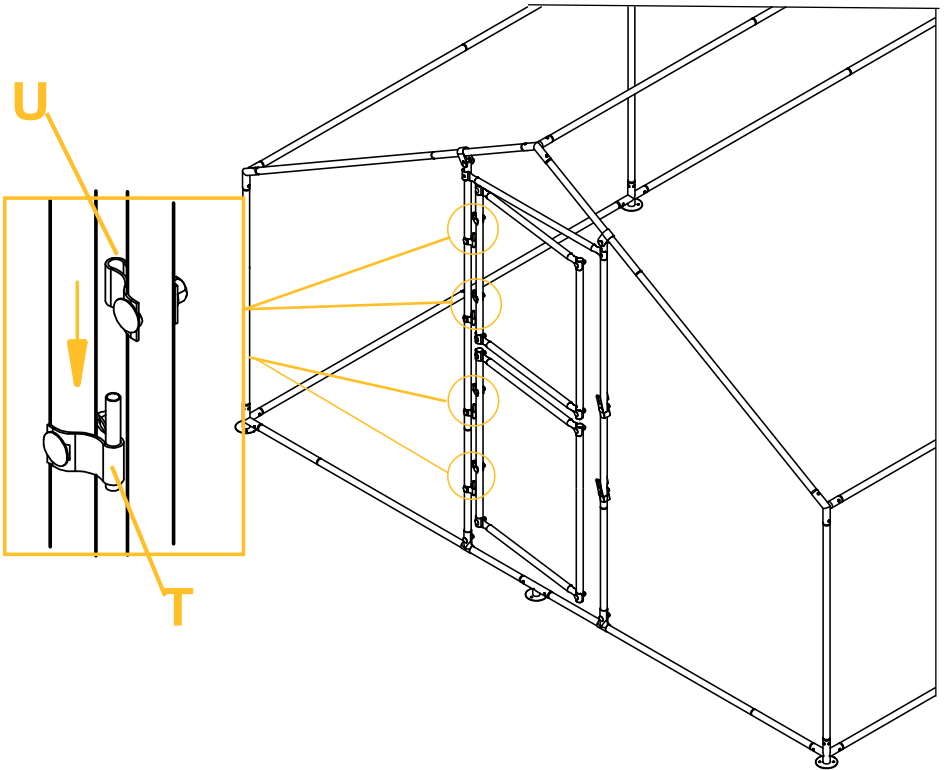
10

Assemble the door by connecting Parts I, J and K together using 8 x P3 bolts. Attach Part U to the left frame using 4 x P3 bolts. (Notice: Ensure that Parts U and T fit together and that the door can close before fully tightening the bolts.)



PRODUCT ASSEMBLY //

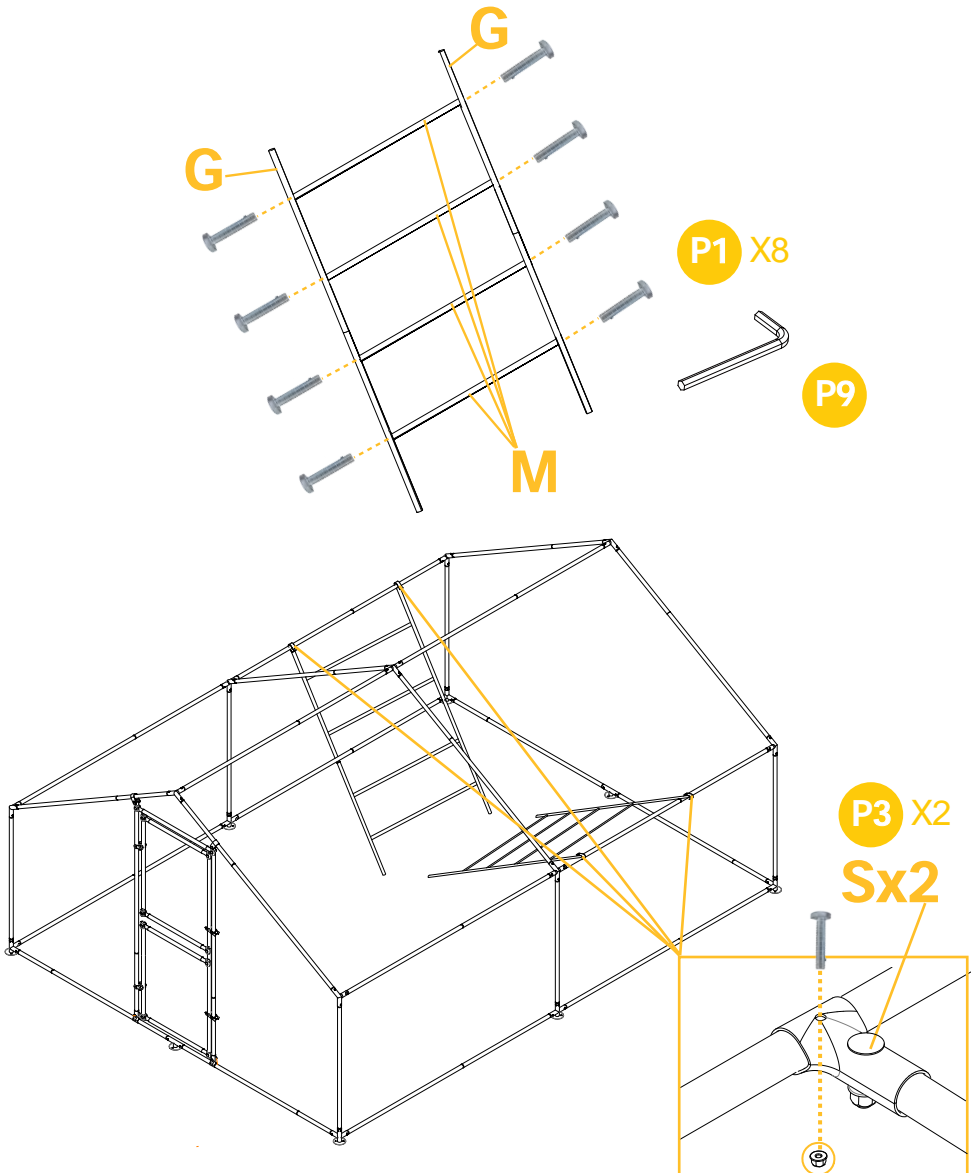
- 11** Attach the door to the door frame by inserting Part U into Part T, then tighten the bolts on Part U.



PRODUCT ASSEMBLY //

12

Assemble the ladder by connecting Parts G & M using 8 × P1 bolts; please tighten with the P9 wrench. Use connector Part S to attach the ladder using 2 × P3 bolts.

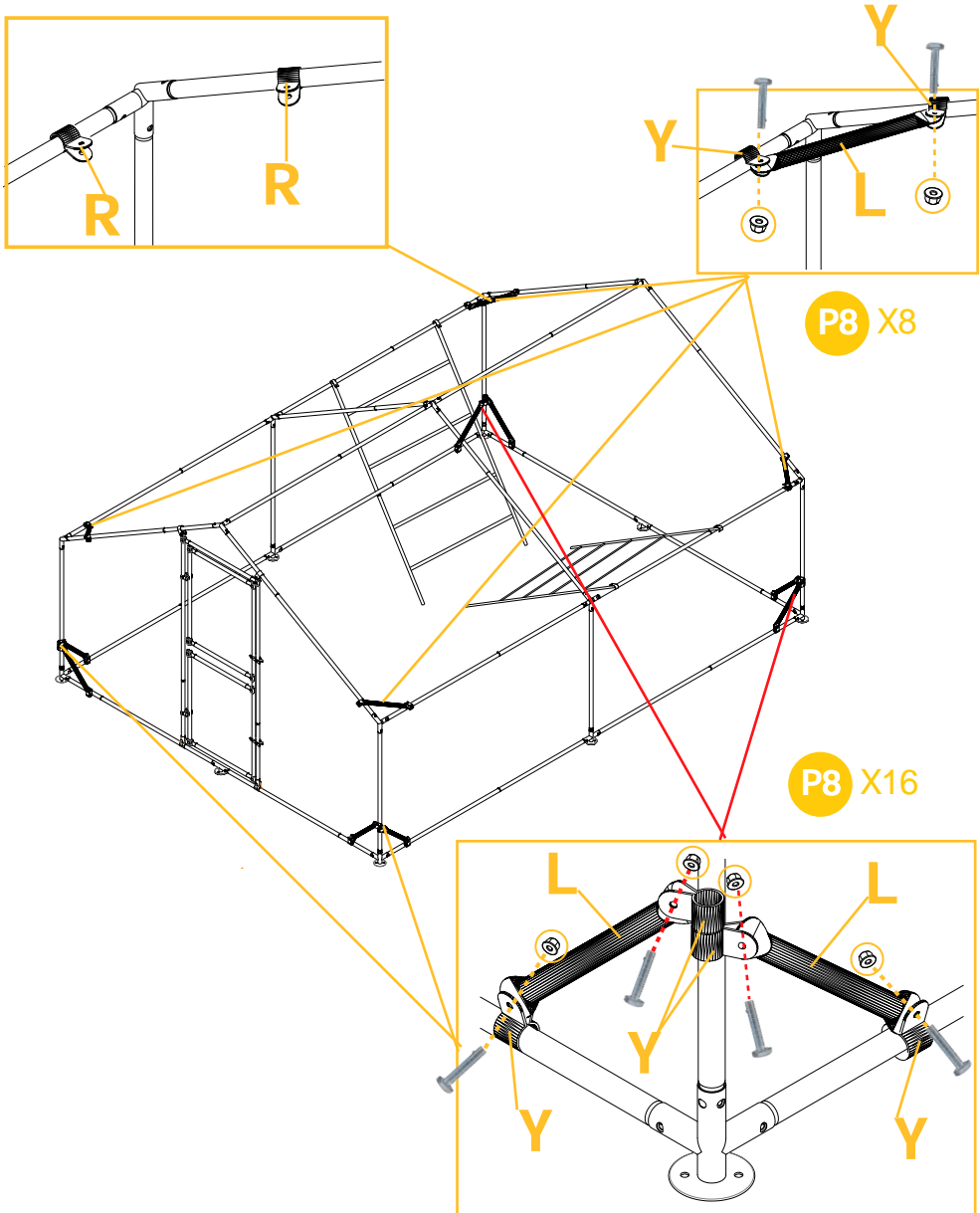


PRODUCT ASSEMBLY //

13

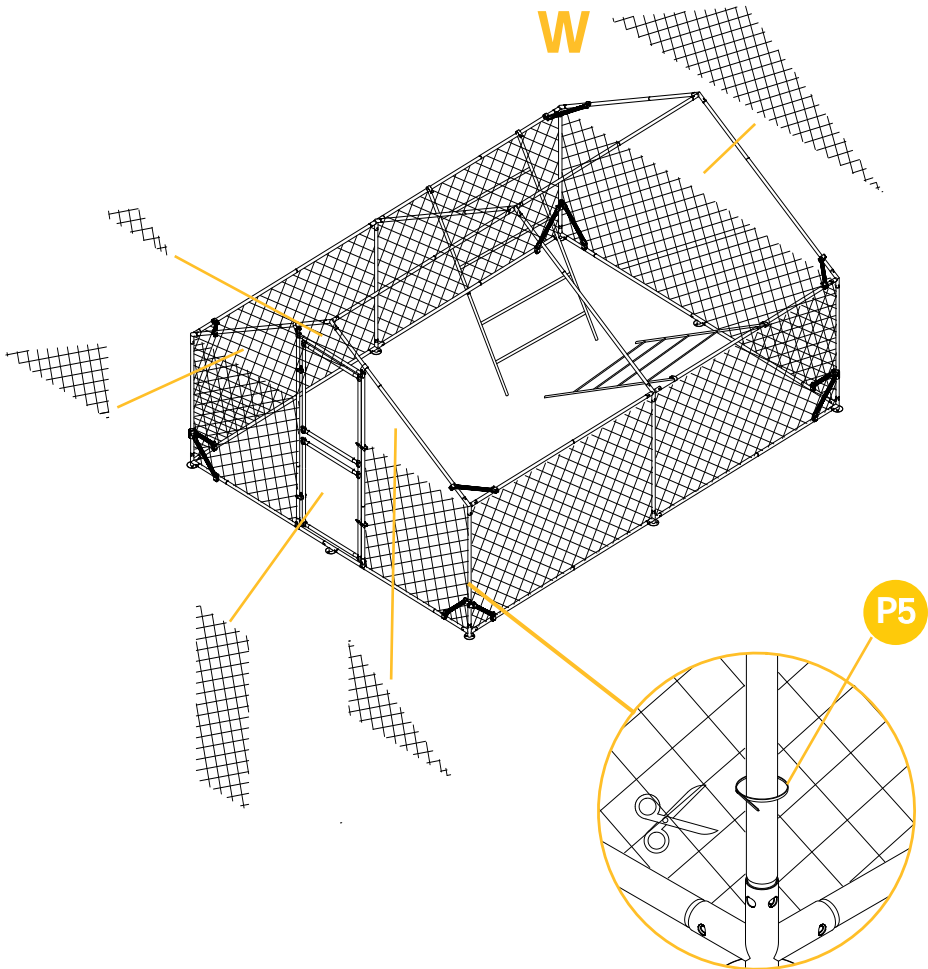
Assemble the corner supports to enhance stability.

Hook the R-shaped connector onto the iron pipes, then attach the corner supports (Part L) to Part R using 2 x P8 bolts for each connection.



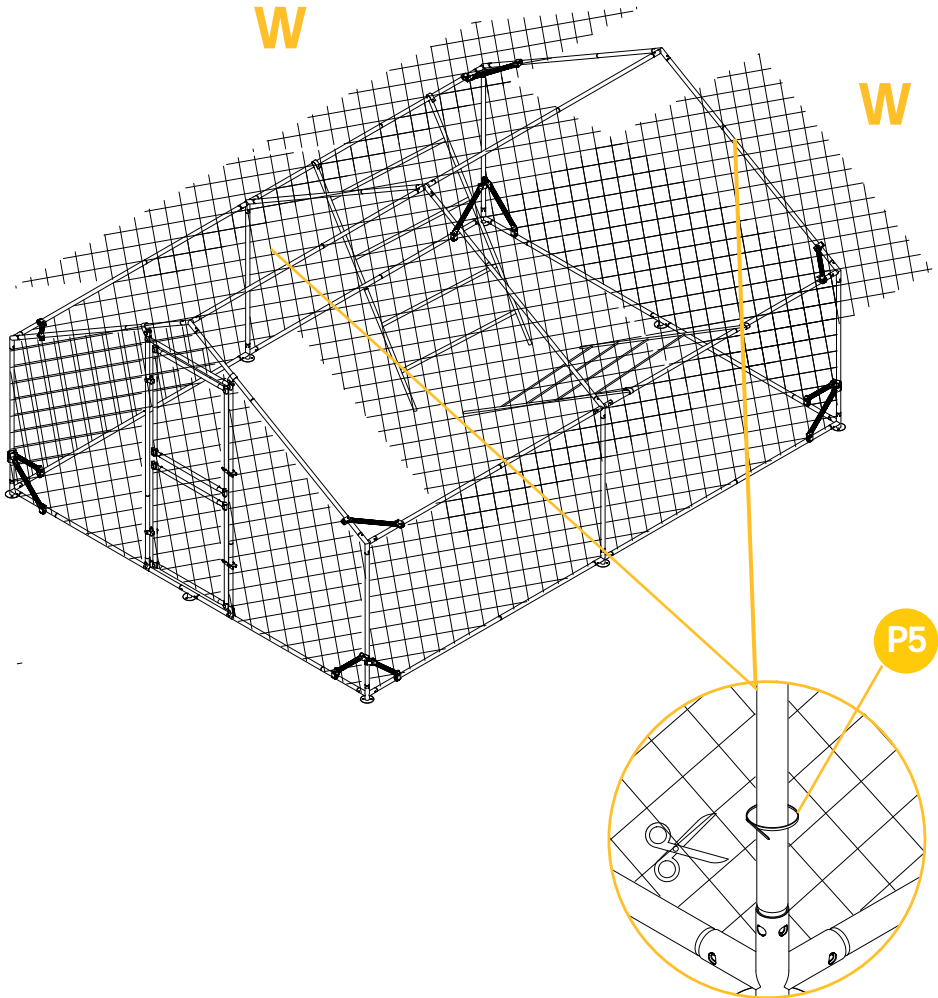
PRODUCT ASSEMBLY //

- 14** Measure the wall size and cut the wire mesh accordingly, then use P5 ties to secure the mesh to the wall.



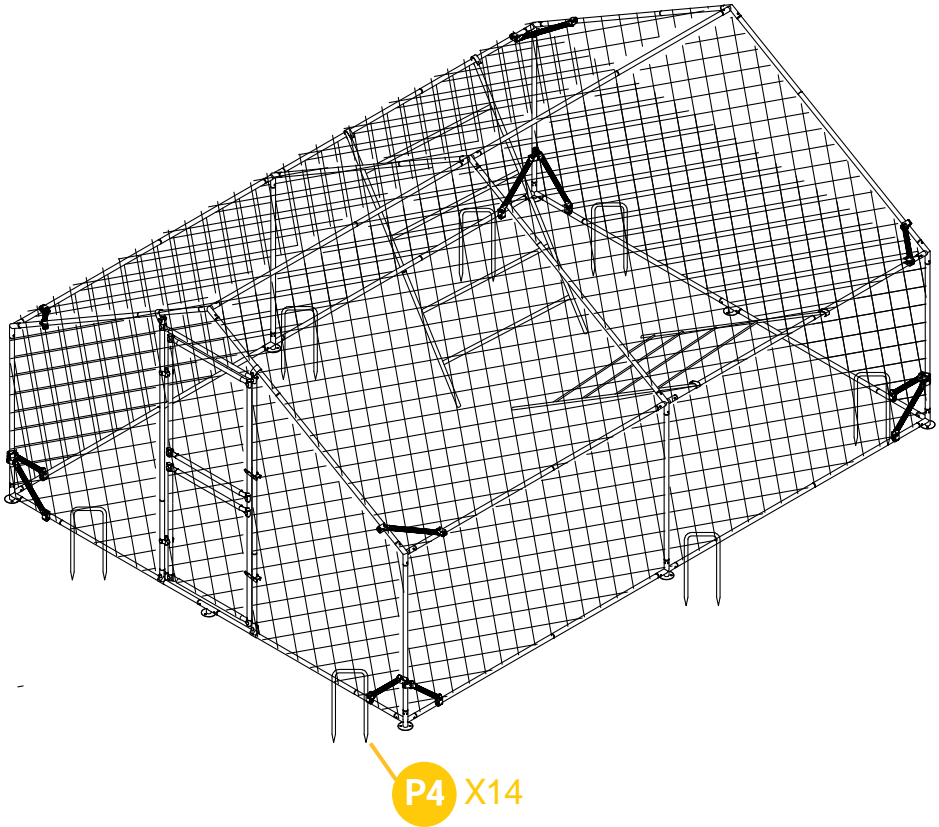
PRODUCT ASSEMBLY //

- 15** Measure the roof size and cut the wire mesh accordingly, then use P5 ties to secure the mesh to the roof.



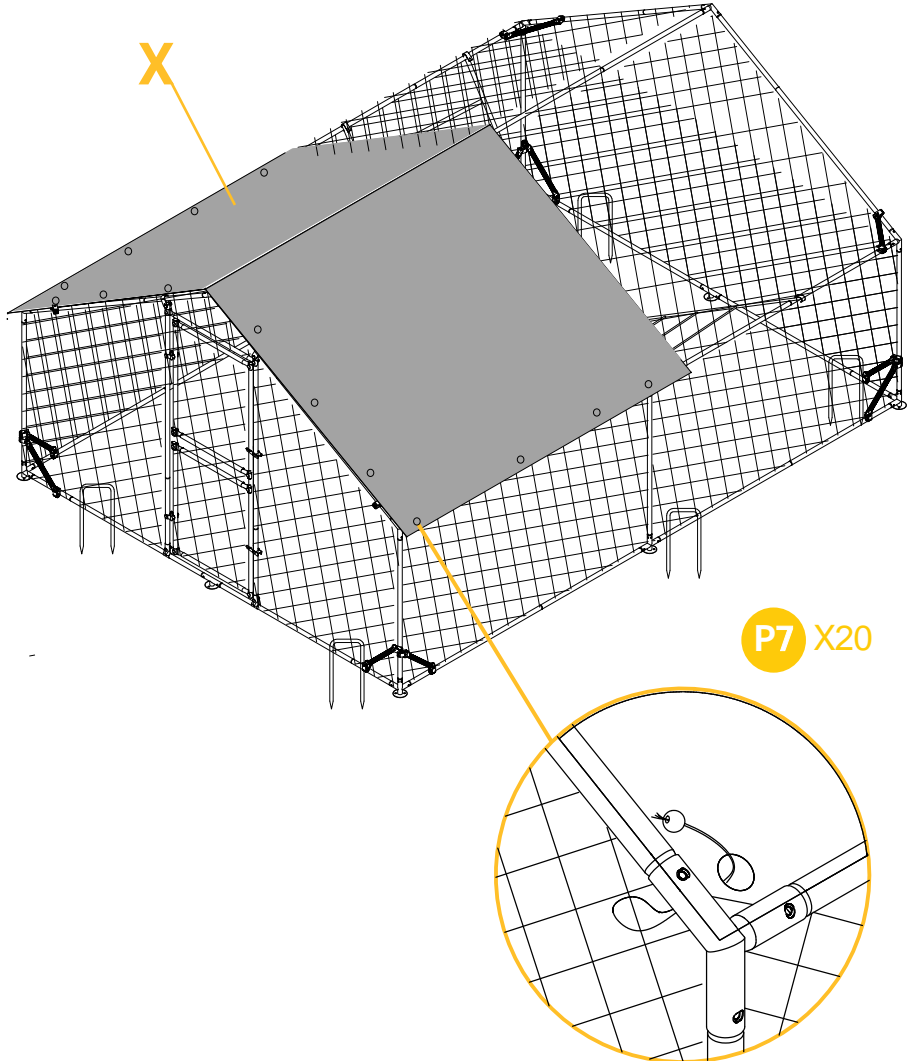
PRODUCT ASSEMBLY //

16 Secure the chicken run to the ground using 10 x P4 hooks.



PRODUCT ASSEMBLY //

17 Attach waterproof roof cover (Part X) using 14 x P7 fixing ropes.



Finish



WARNING

The manufacturer and seller expressly disclaim all liability for personal injury, property damage, or loss—whether direct, indirect, or incidental—resulting from improper attachment, misuse, inadequate maintenance, or neglect of this product.