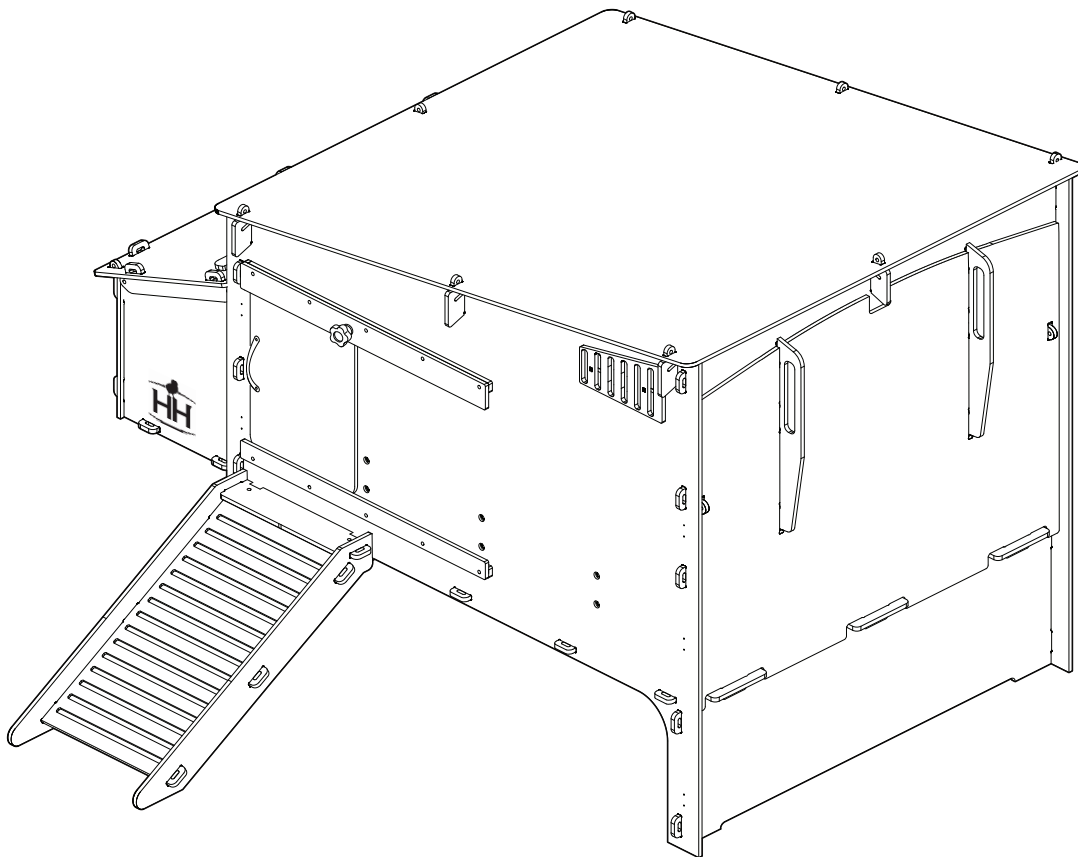




**TSC COOP
AND RUN 10**
FRL02-10RHH



EN

PATENT PENDING

⚠ WARNING! For your safety and to comply with guidelines, please follow these instructions carefully. Failure to do so may result in injury.

PRODUCT PARTS

See pages 3-4.

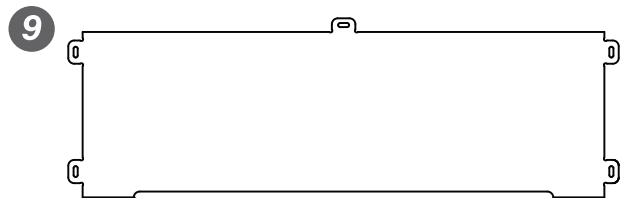
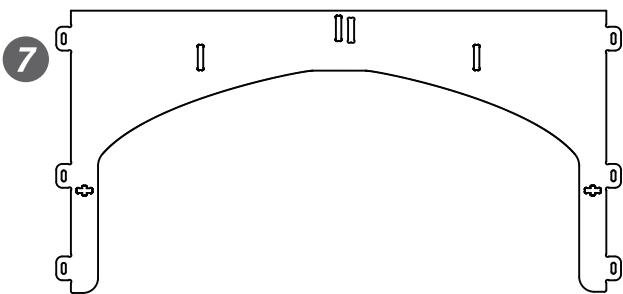
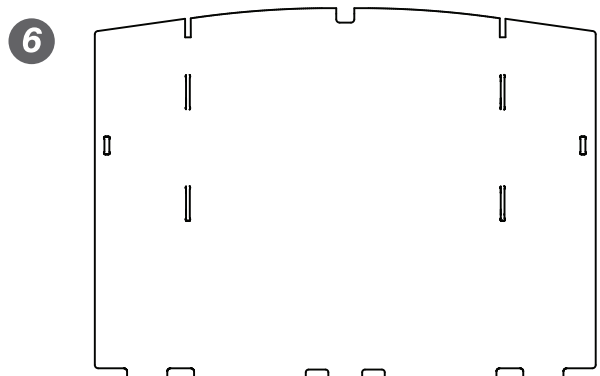
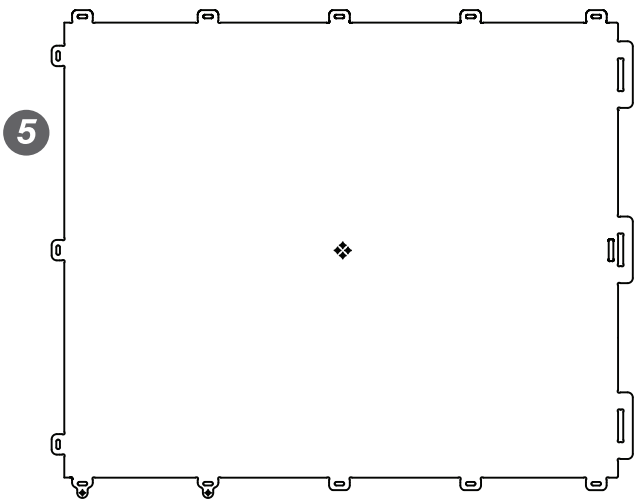
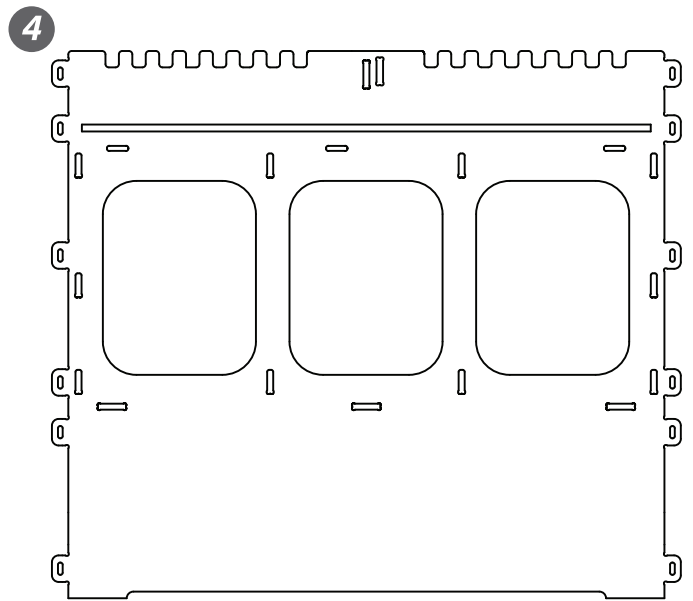
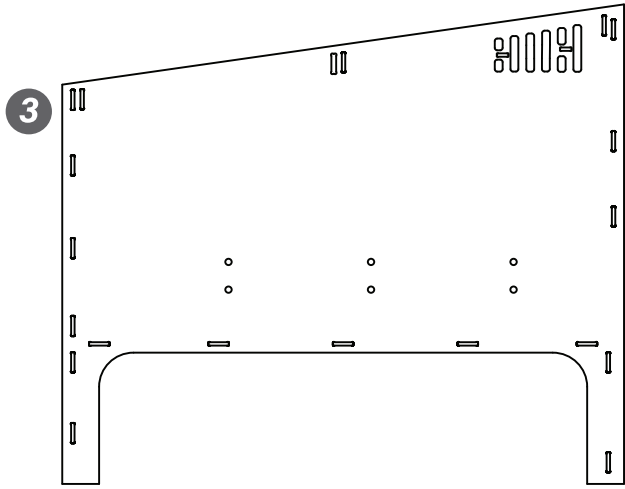
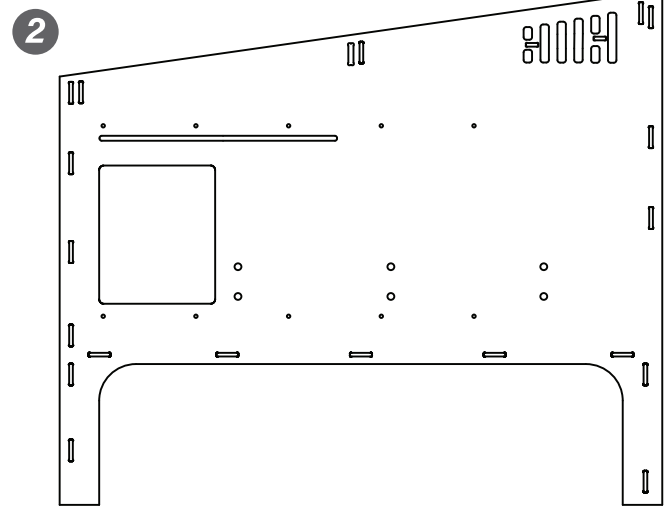
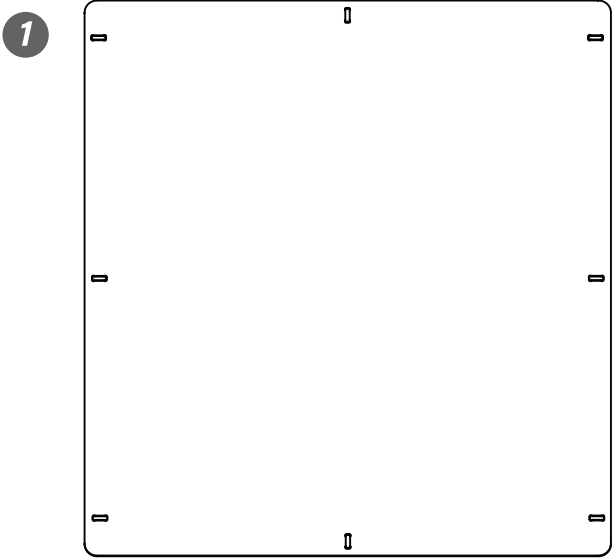
Part No.	Description	Quantity
1	Roof	1
2	Front Panel	1
3	Back Panel	1
4	Nest Box Wall	1
5	Base	1
6	Back Door	1
7	Upper Back Panel	1
8	Roof Support-Short	1
9	Lower Back Panel	1
10	Roof Support-Long	1
11	Ramp	1
12	Ramp Brace -Left	1
13	Ramp Brace -Right	1
14	Top Ramp Step	1
15	Chicken Door	1
16	Door Support	1
17	Rain Guard	1
18	Upper Straight Door Channel Cover	1
19	Upper Door Spacer	1
20	Lower Straight Door Channel Cover	1
21	Vent Cover-Back	1
22	Back Door Handle-Right	1
23	Roof Retainers-Left	4
24	Roof Retainers-Right	4
25	Front Door Handle	1
26	Back Door Handle-Left	1
27	Vent Cover-Front	1
28	Nest Box Roof	1
29	Nest Box Side Wall-Left	1
30	Nest Box Side Wall-Right	1
31	Nest Box Divider	2
32	Nest Box Front Trim	1
33	Nest Box Trim-Sides	2
34	Lower Door Spacer	1
35	Nest Box Front	1
36	Nest Box Floor	1
37	Perches	3
38	Rain Guard Twist Locks	3
39	Access Door Locks	2
40	Perch Holders	3

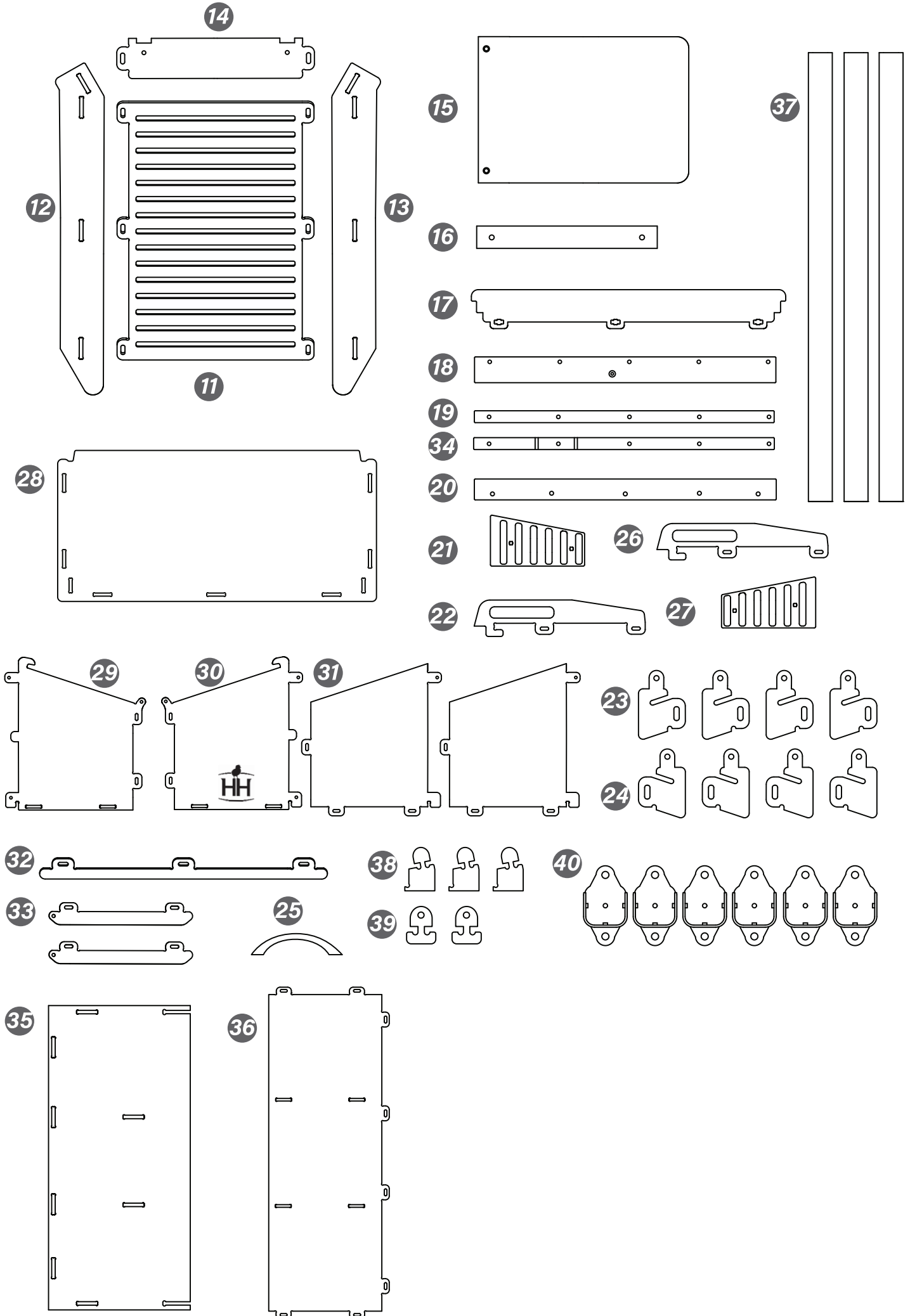
FIXINGS

See page 5.

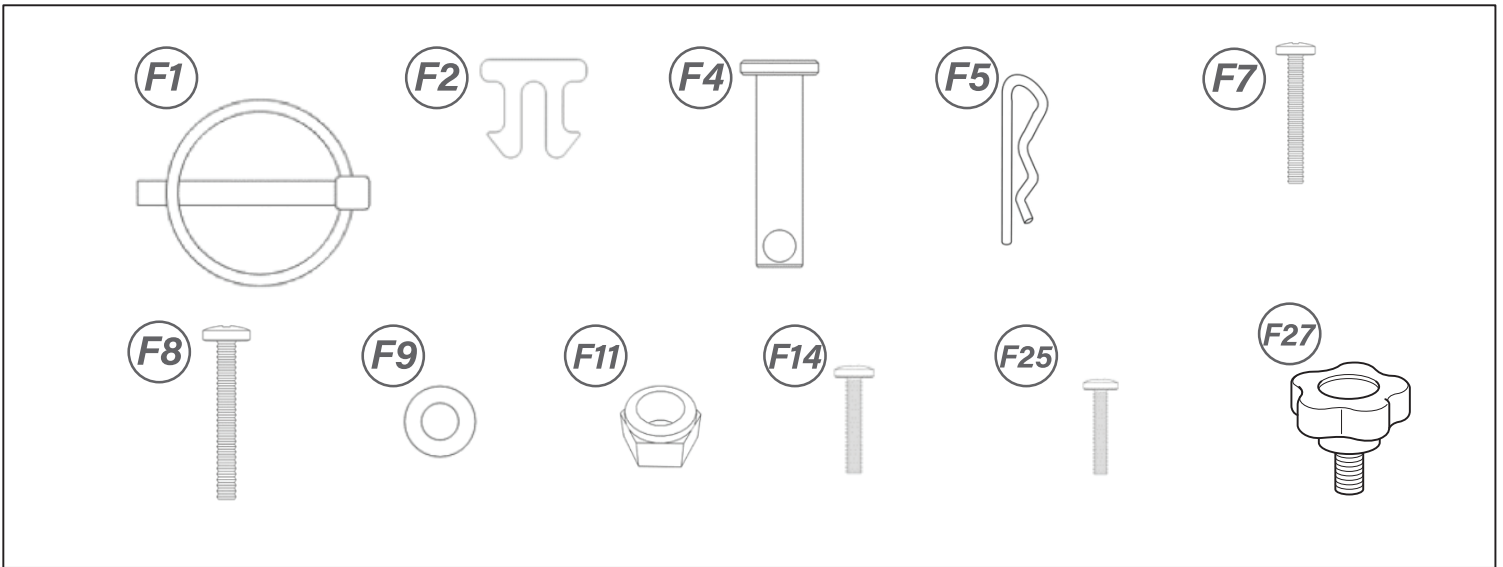
F1	Lynch Pin	18
F2	Pi Clip	85
F4	Clevis Pin 25mm	4
F5	R Clip (Clevis)	4
F7	M6 30mm Screws	4
F8	M6 40mm Screws	10
F9	M6 Small Washer	32
F11	M6 Nylock Nuts	26
F14	M6 16mm Countersunk Screws	12
F25	M4 12mm Screw	2
F27	Handwheel Lock Bolt	1

PRODUCT PARTS



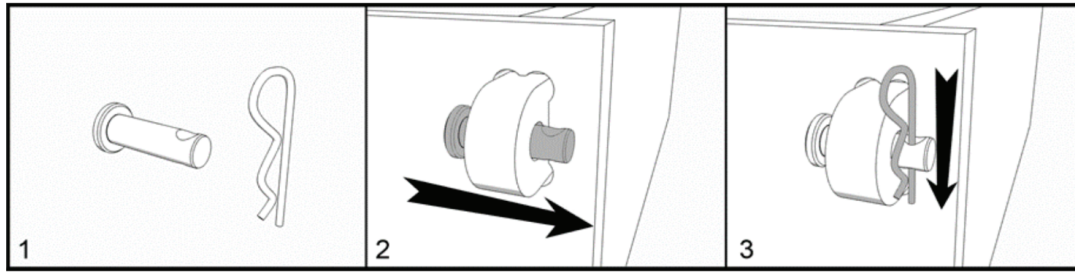


FIXINGS

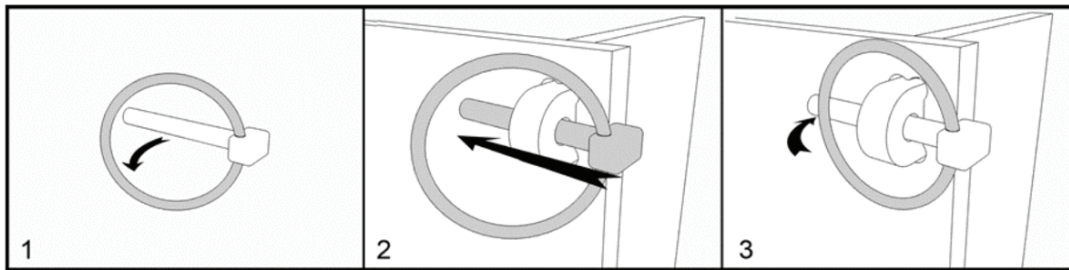


FIXINGS

HOW TO USE A CLEVIS PIN

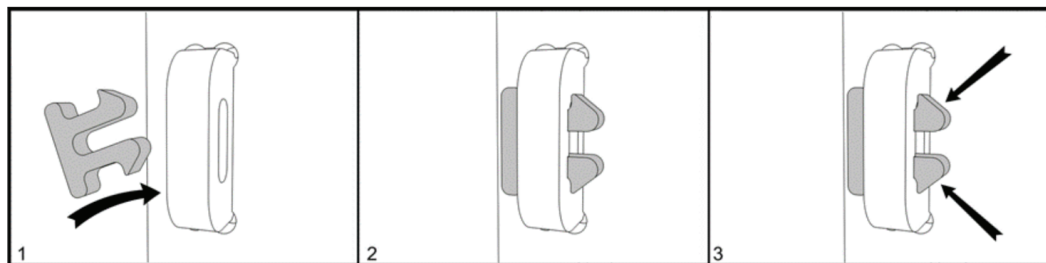


HOW TO FIT A LYNCH PIN

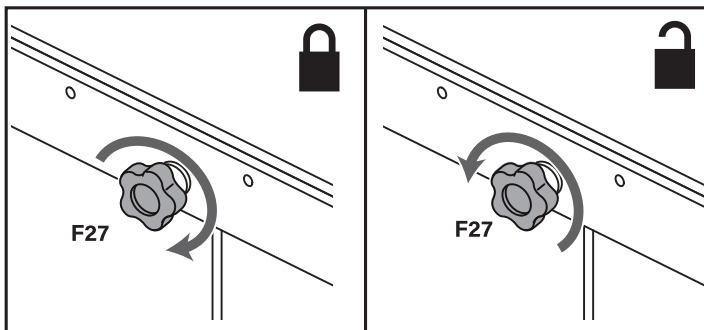


WARNING! Simply elevate the ring slightly from the bar. Lynch pins are engineered to automatically spring back into the locked position, so exercise caution to avoid injury to your fingers.

HOW TO FIT AND REMOVE A Pi CLIP

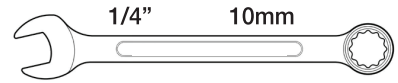
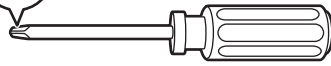


When the door is in the closed position, turn the handwheel clockwise to lock the door in position.
To release the door, turn the handwheel counter clockwise



ASSEMBLY

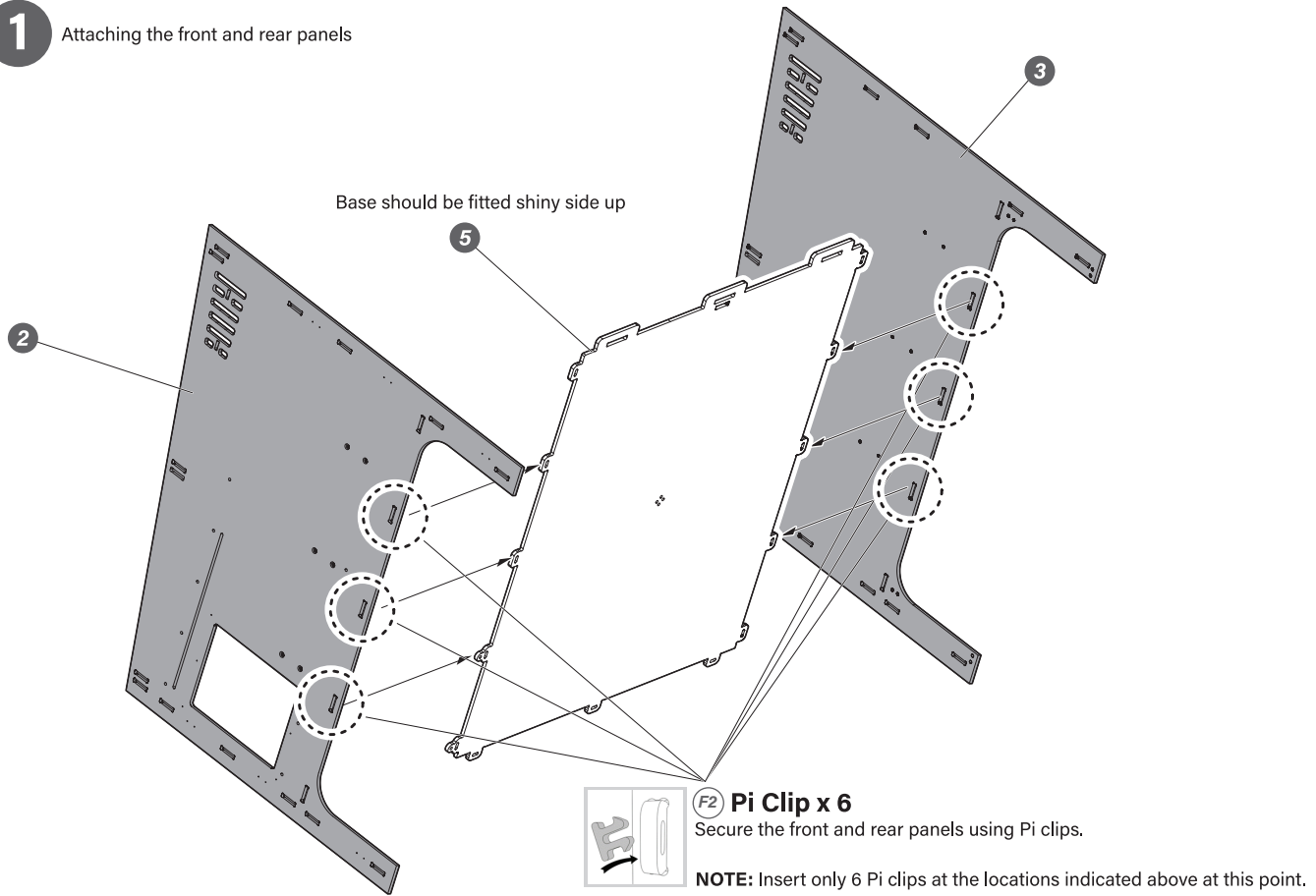
TOOLS REQUIRED



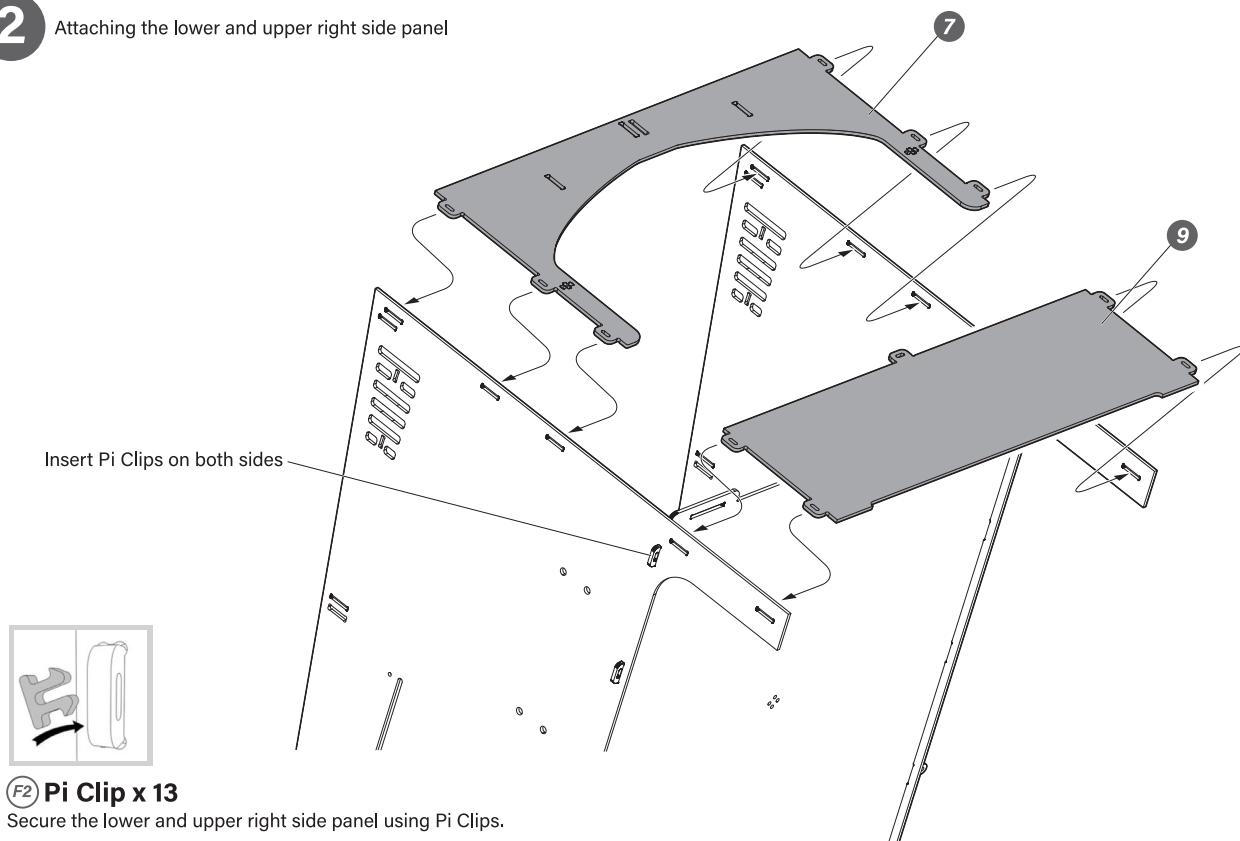
1/4"

10mm

1 Attaching the front and rear panels

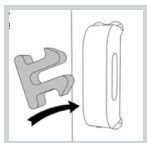


2 Attaching the lower and upper right side panel



3

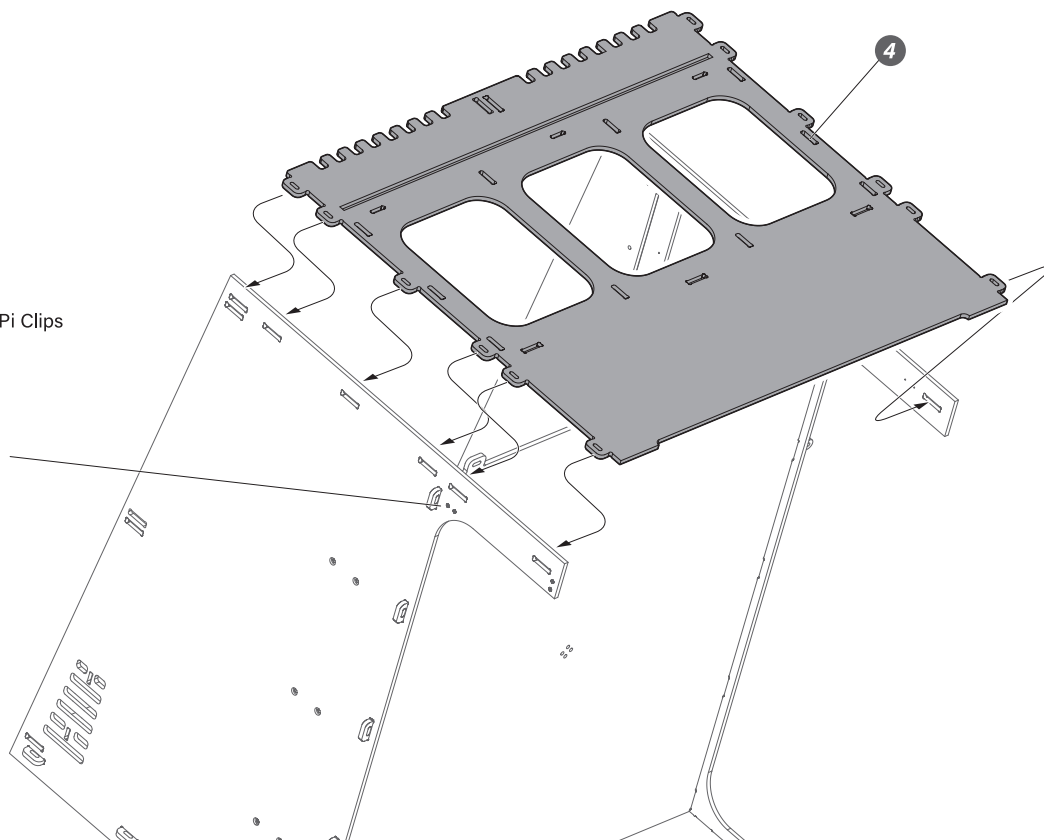
Attaching the nest box panel



F2 Pi Clip x 14

Secure the nest box panel using the Pi Clips

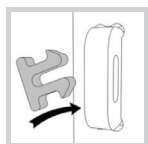
Insert Pi Clips on both sides



4

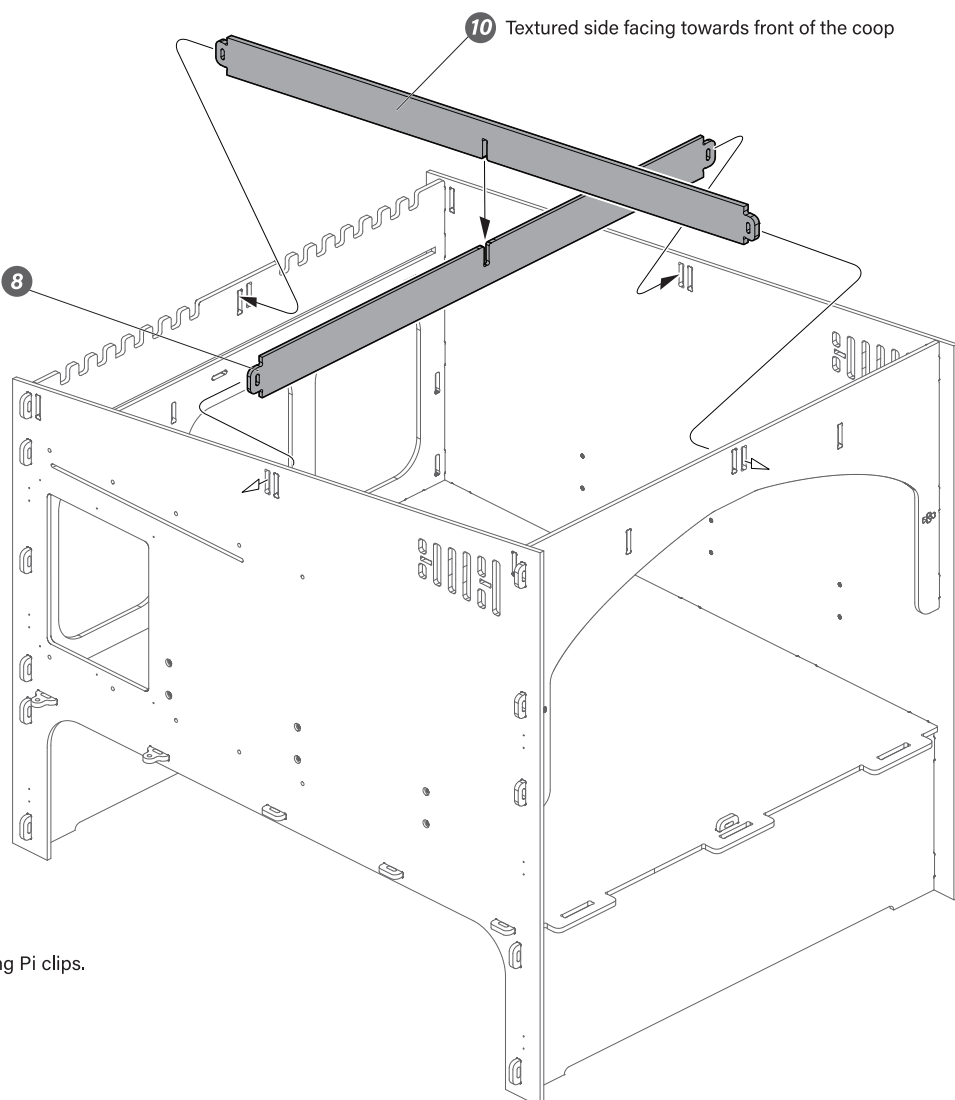
Attaching the roof supports

Textured side facing towards the nesting area



F2 Pi Clip x 4

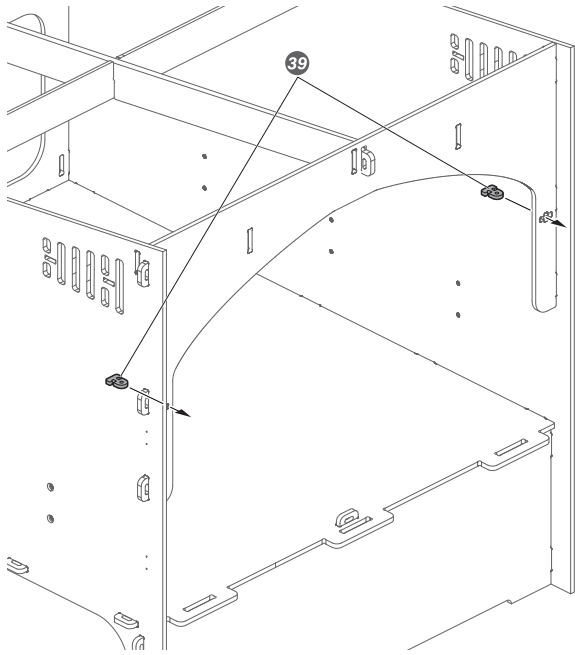
Secure the roof support using Pi clips.



5

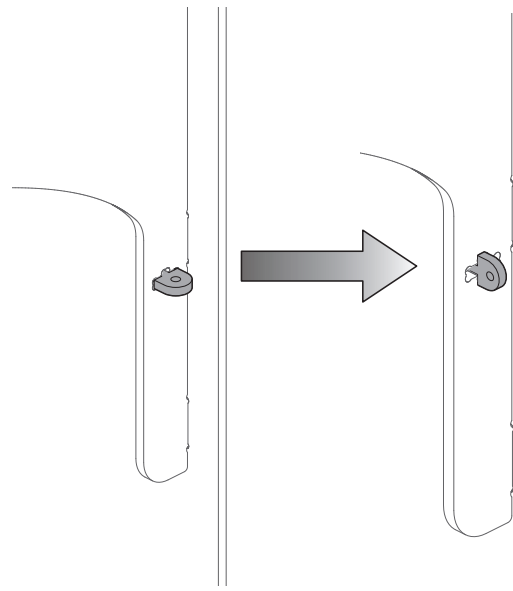
Attaching the access door locks

Note: Part 39 will be found in GENKIT Box.



6

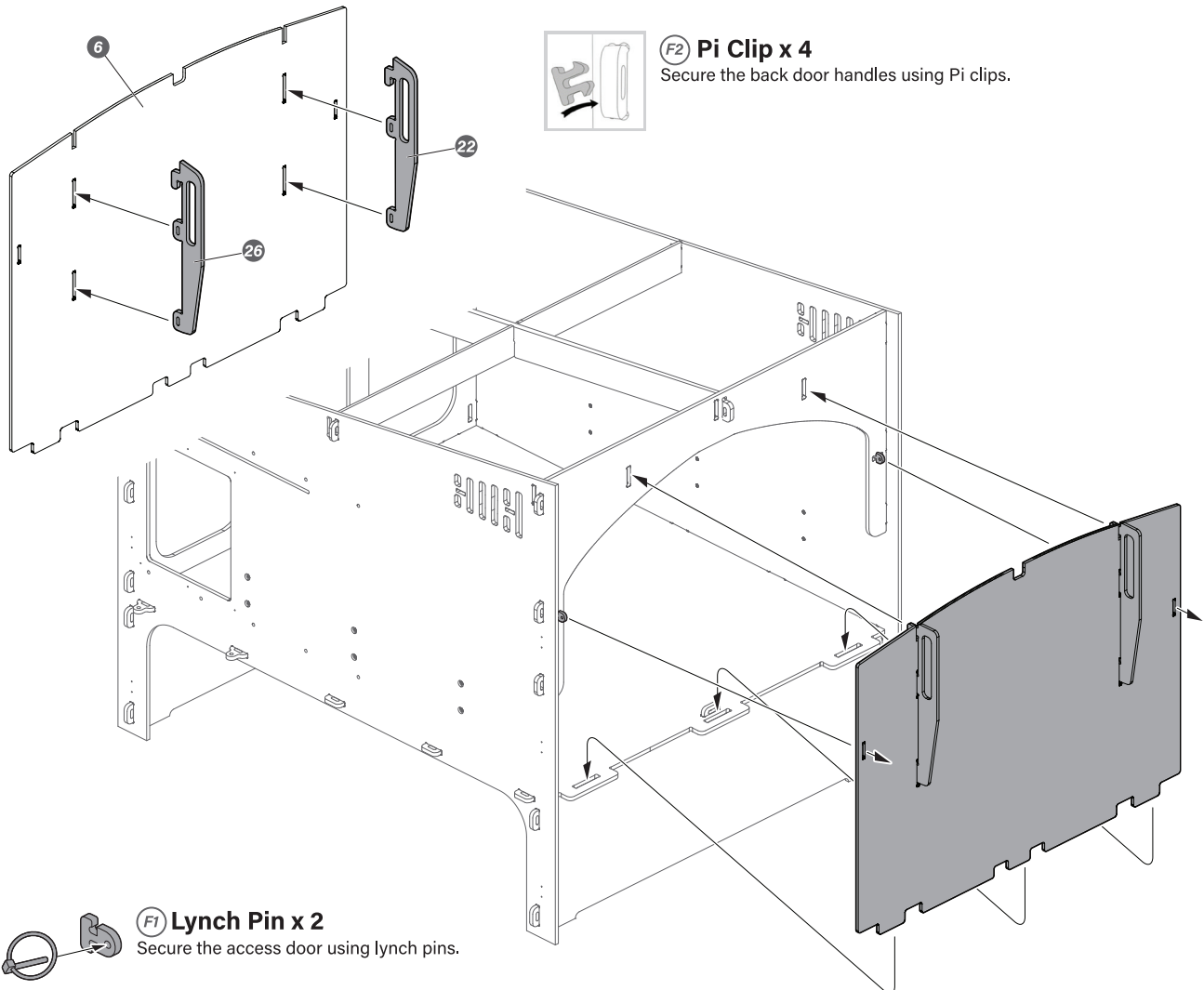
Rotate all access door locks to 90 degrees position



7

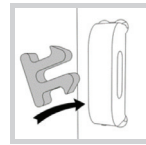
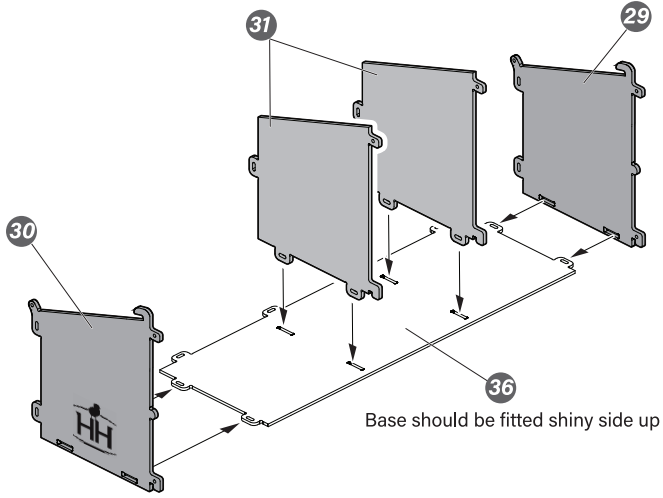
Attaching the access door

Note: Parts 26 and 22 will be found in GENKIT box.



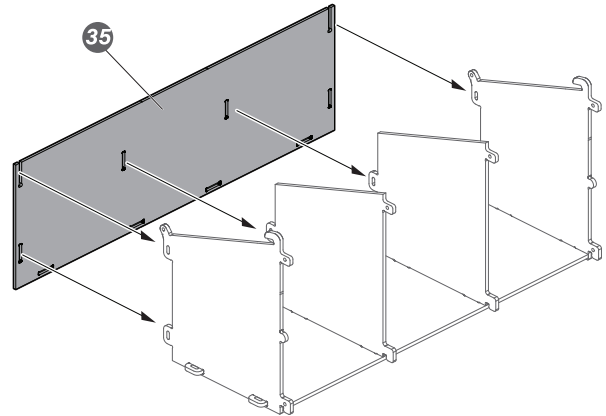
8

Assembling the nest box



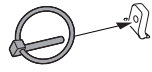
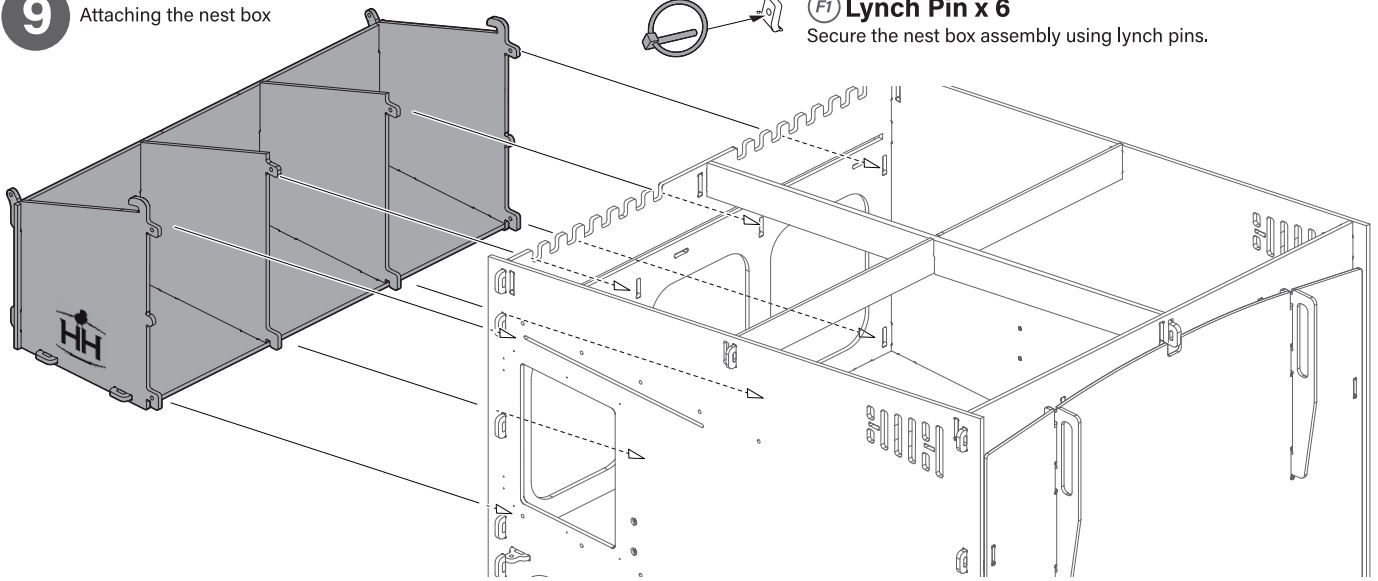
F2 Pi Clip x 18

Secure the nest box parts using Pi clips.



9

Attaching the nest box

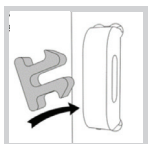
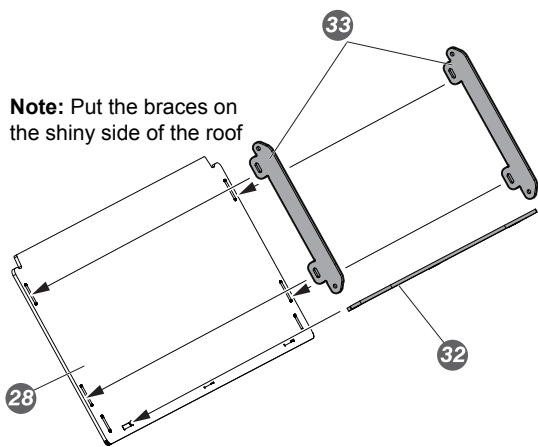


F1 Lynch Pin x 6

Secure the nest box assembly using lynch pins.

10

Attaching the nest box roof braces

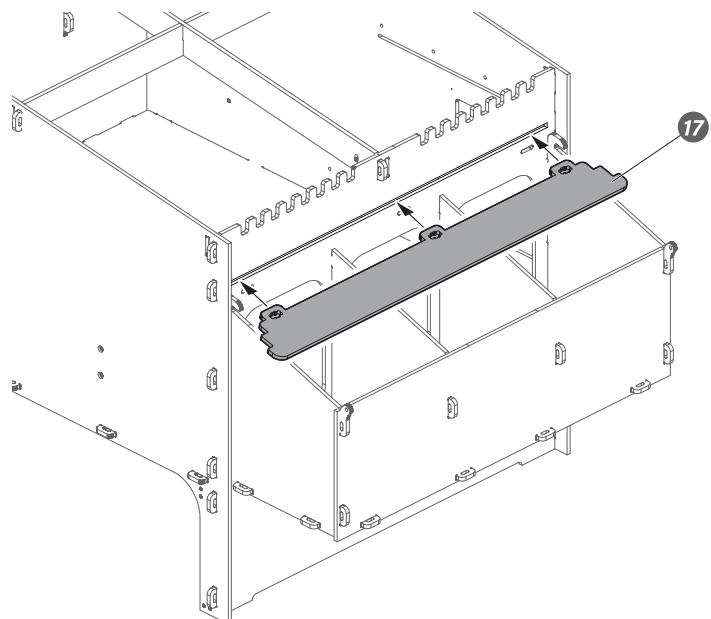


F2 Pi Clip x 7

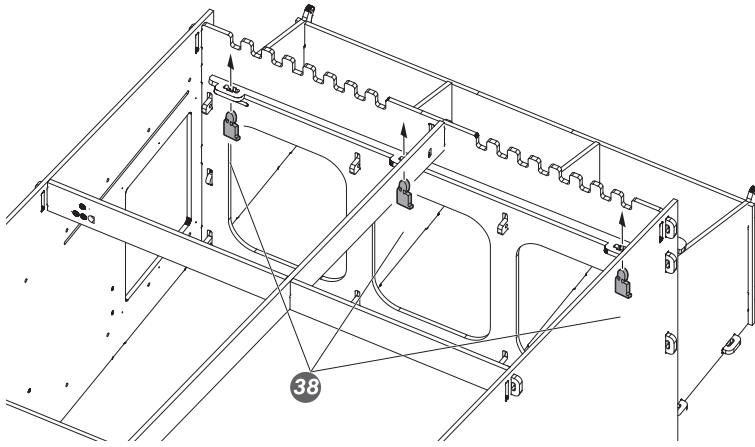
Secure the nest box braces using Pi clips.

11

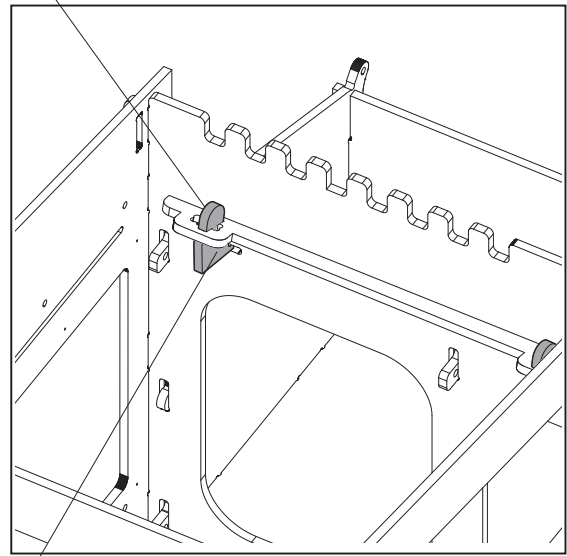
Attaching the rain guard



12 Attaching the nest box rain guard twist locks



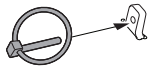
Rotate all twist locks in vertical position



Note: Apply a small amount of pressure on the rain guard while inserting the twist locks to aid installation.

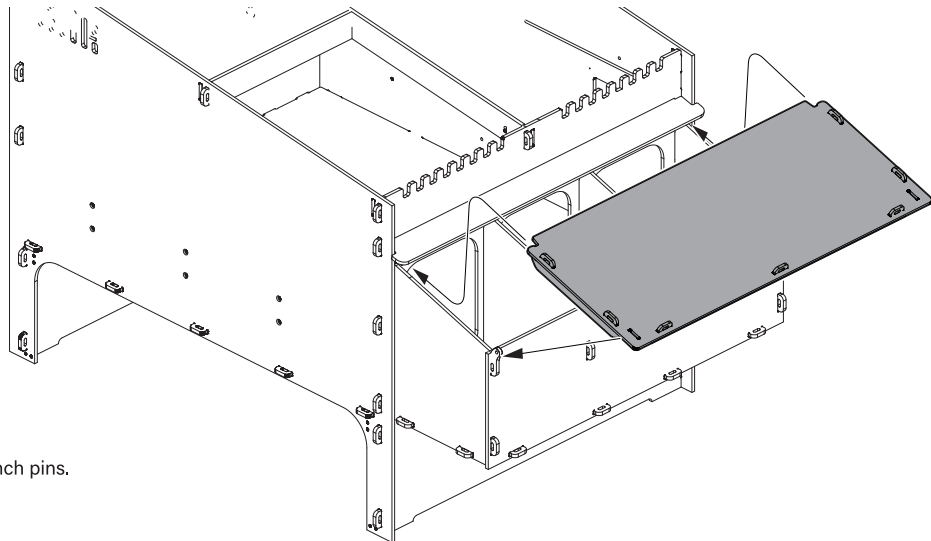
Insert the end of the twist lock into the nest box wall slot

13 Attaching the nest box roof



F1 Lynch Pin x 2

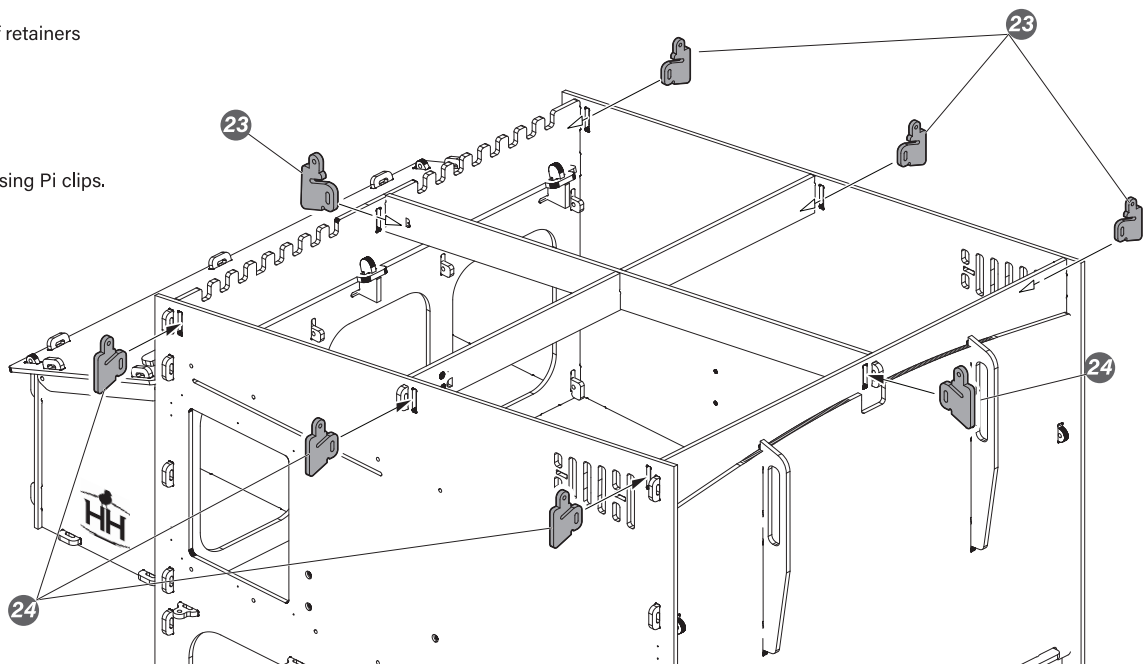
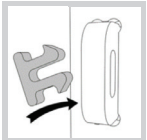
Secure the nest box roof using lynch pins.

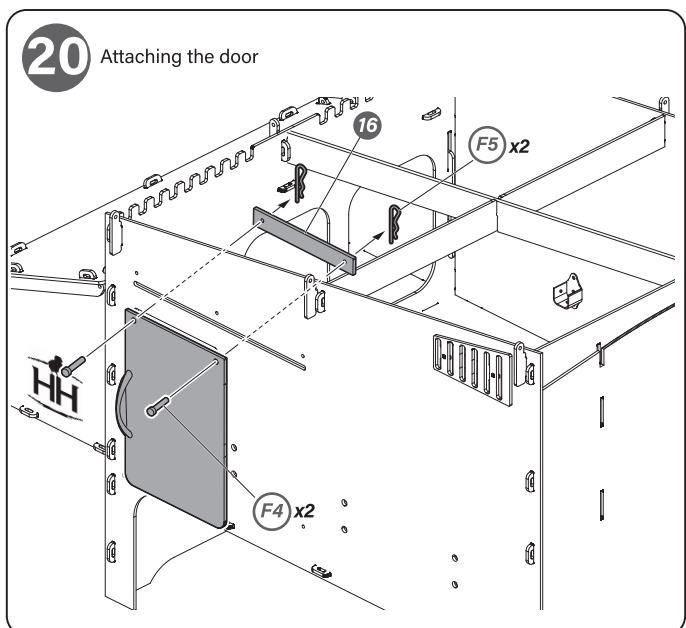
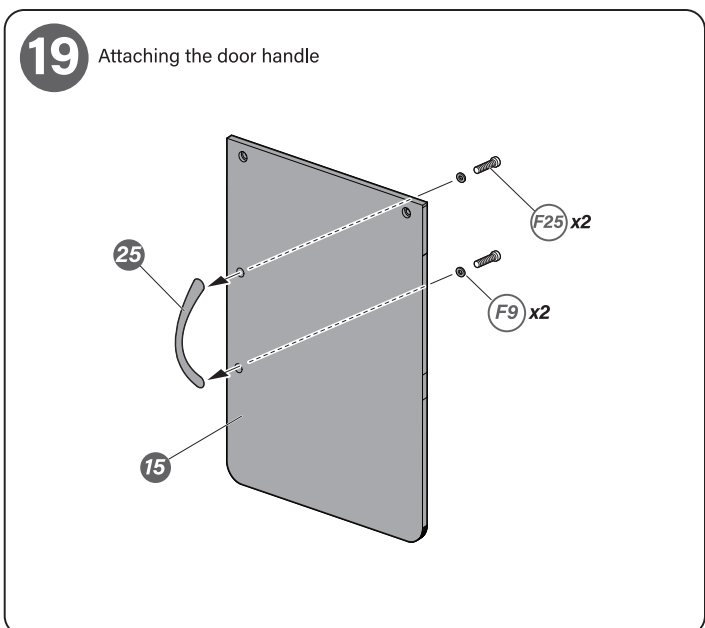
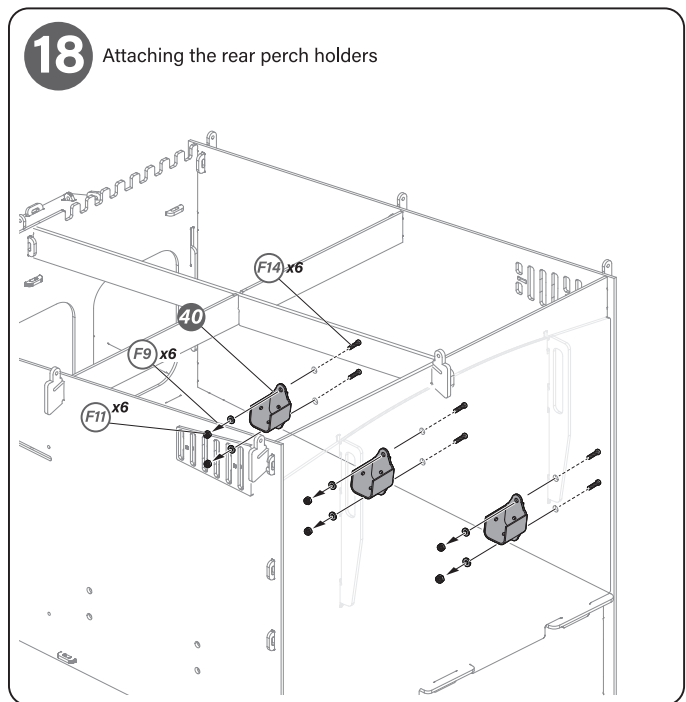
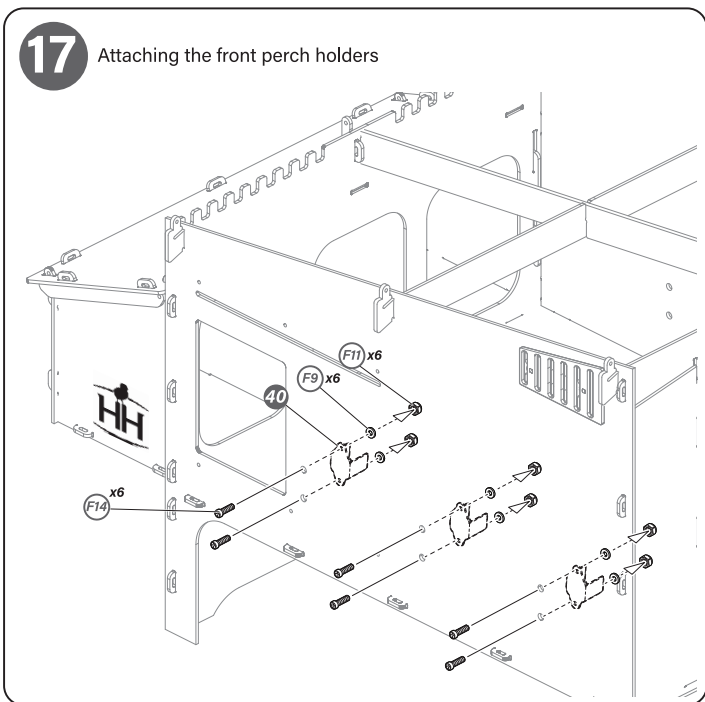
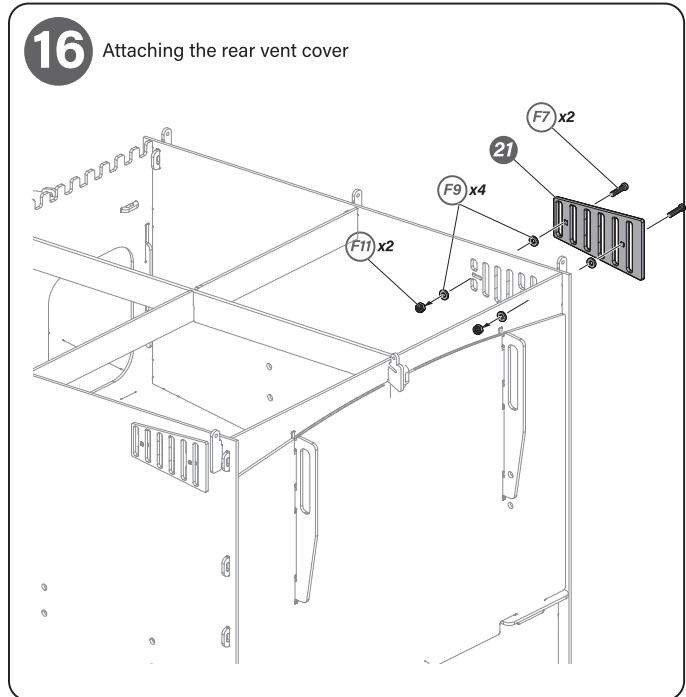
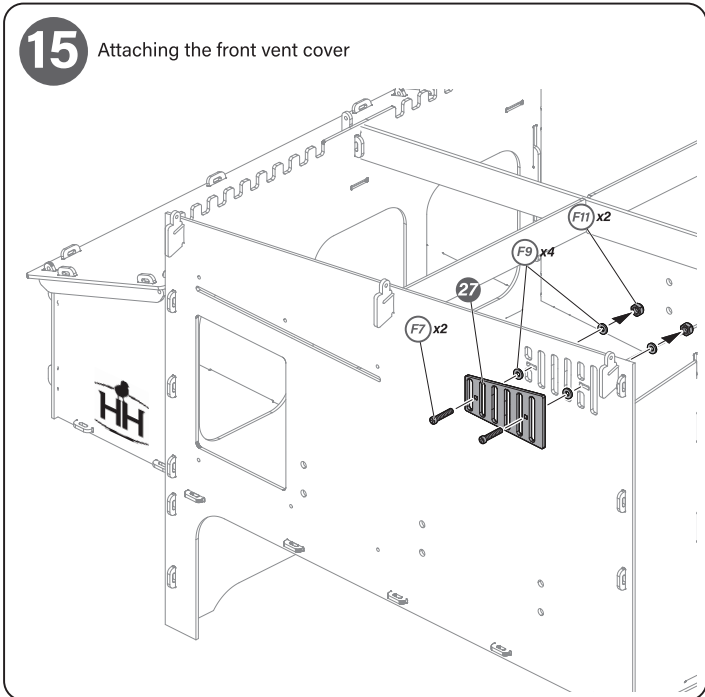


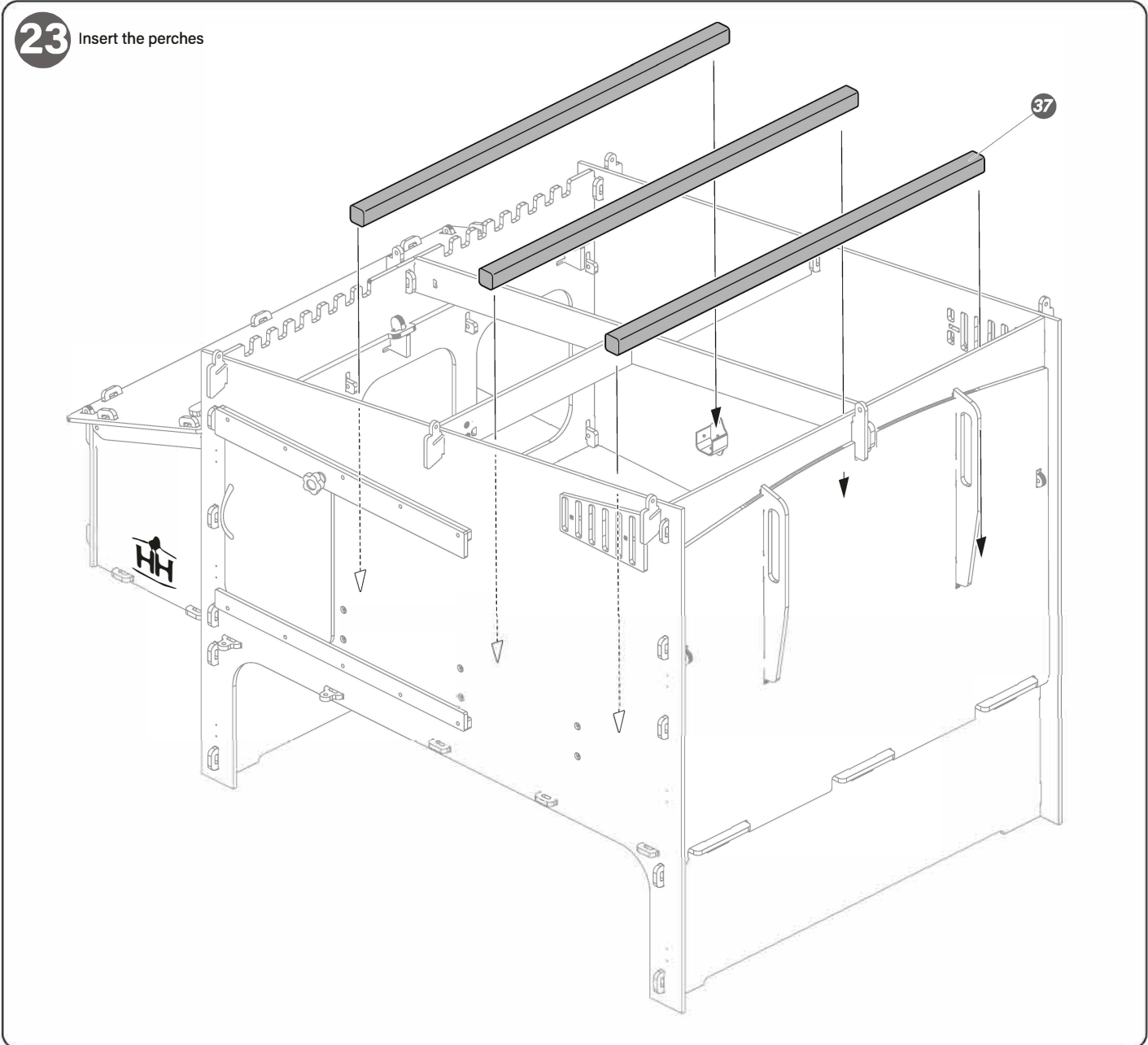
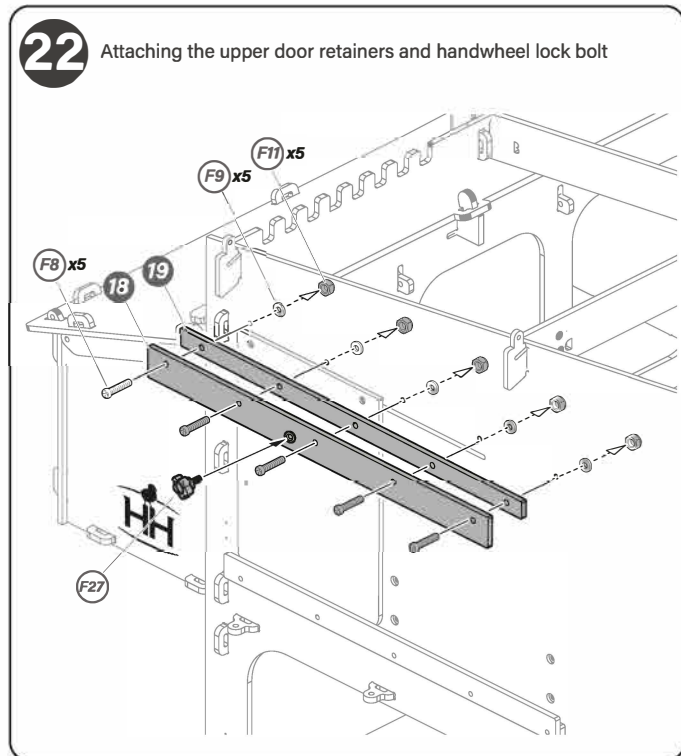
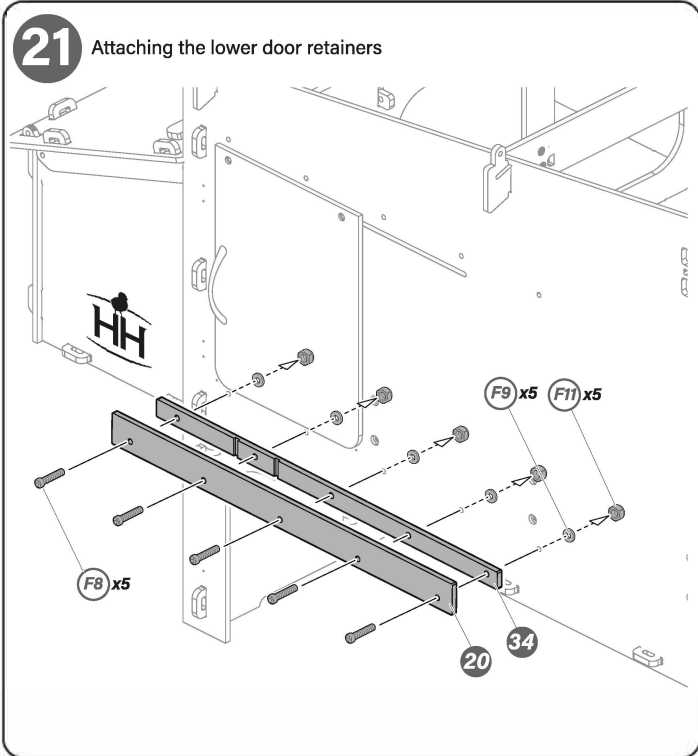
14 Attaching the roof retainers

F2 Pi Clip x 8

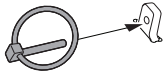
Secure the roof retainers using Pi clips.





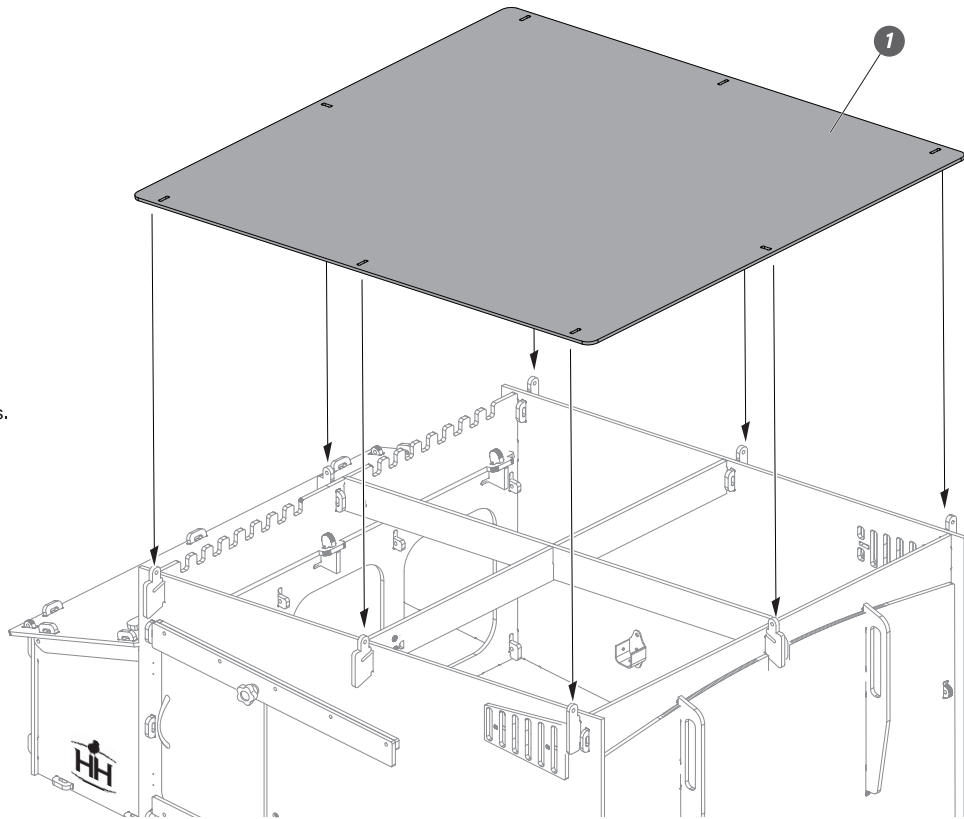


24 Attaching the roof

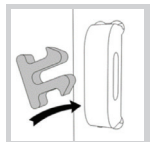
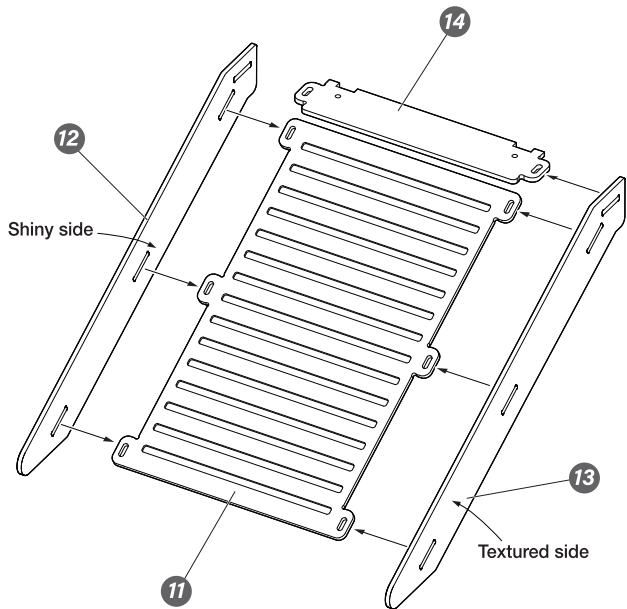


F1 Lynch Pin x 8

Secure the roof using lynch pins.



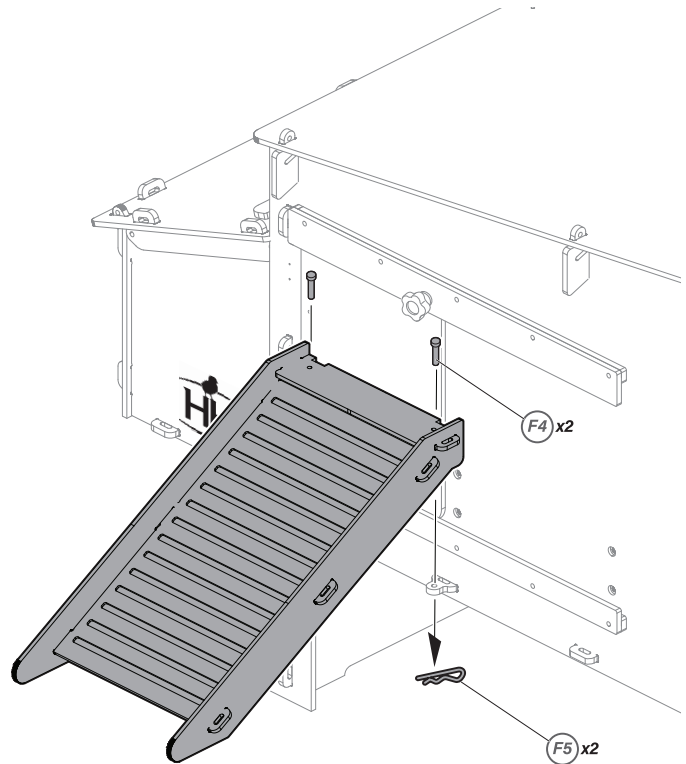
25 Assembling the ramp



F2 Pi Clip x 8

Secure the ramp parts using Pi clips.

26 Attaching the ramp



EN RECYCLED AND RECYCLABLE

We use recycled materials whenever possible. Our plastic products are made from recycled industrial waste, and we recycle all our plastic waste. Choosing our products over those made from virgin plastic helps reduce new plastic production.

Our recycled plastic is durable, easy to work with, and requires no preservative treatment. It resists UV light, atmospheric pollutants, and extreme weather, maintaining its appearance and functionality longer than timber.

The plastic sheets have a consistent thickness, ideal for our precise manufacturing process. We use rust-resistant metal components that are also recyclable.

Our packaging and literature are made from recycled materials, including assembly instructions on recycled paper and business cards from 80% recycled card.

In summary: Fun, functional products that are eco-friendly!



**TSC COOP
AND RUN 10**
FRL02-10RHH

Have any product questions? Feel free to contact us at:
coops@hoovershatchery.com