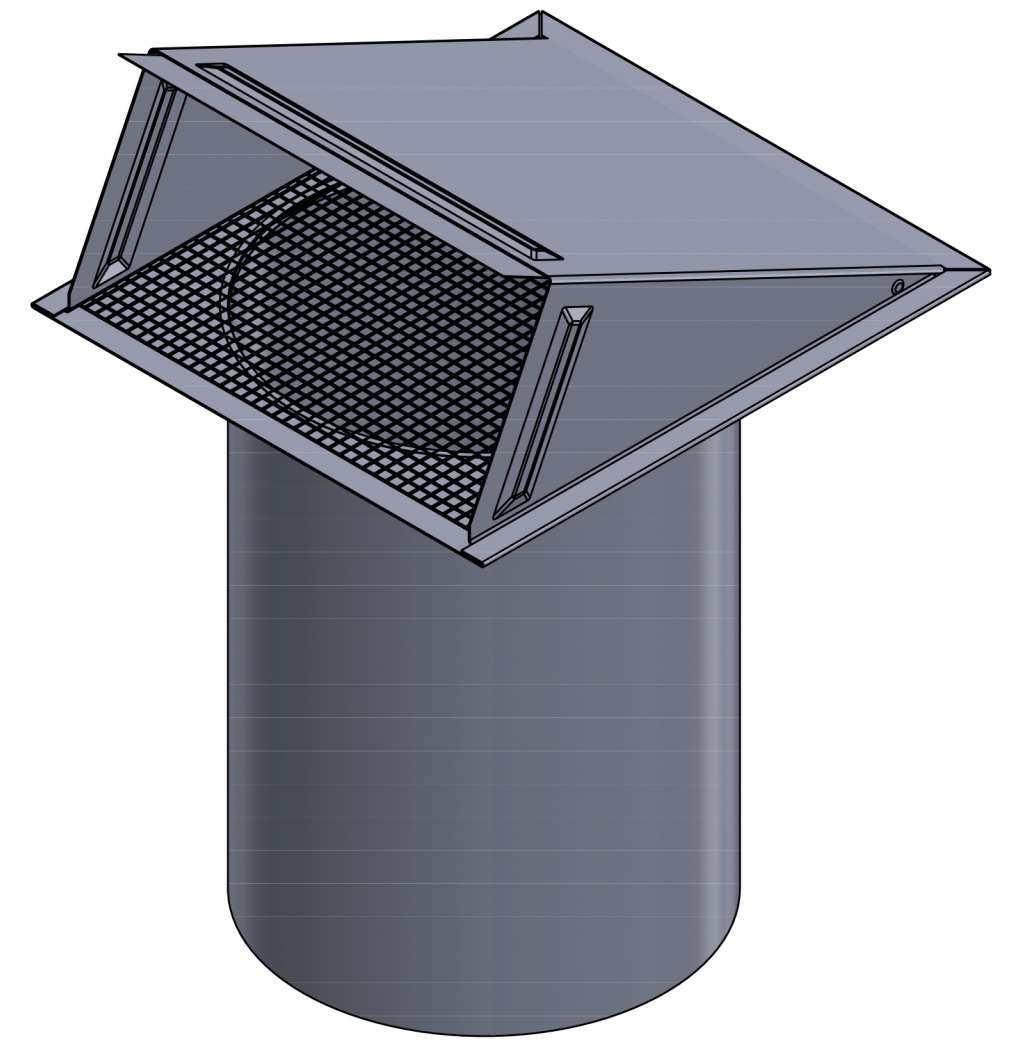
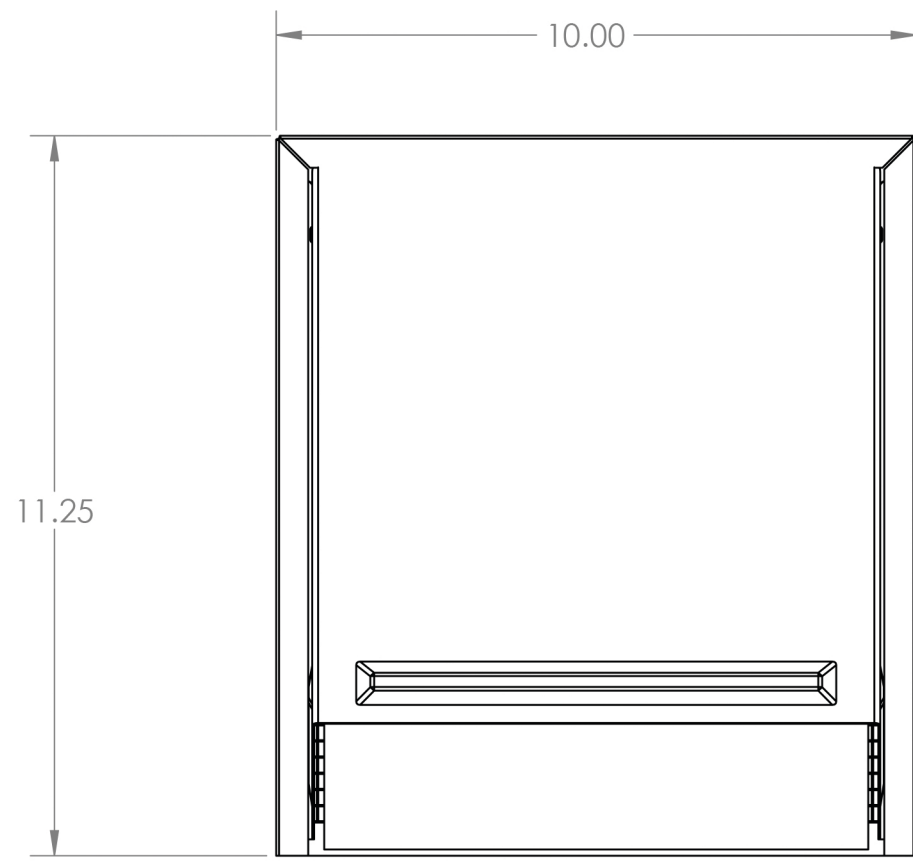


4

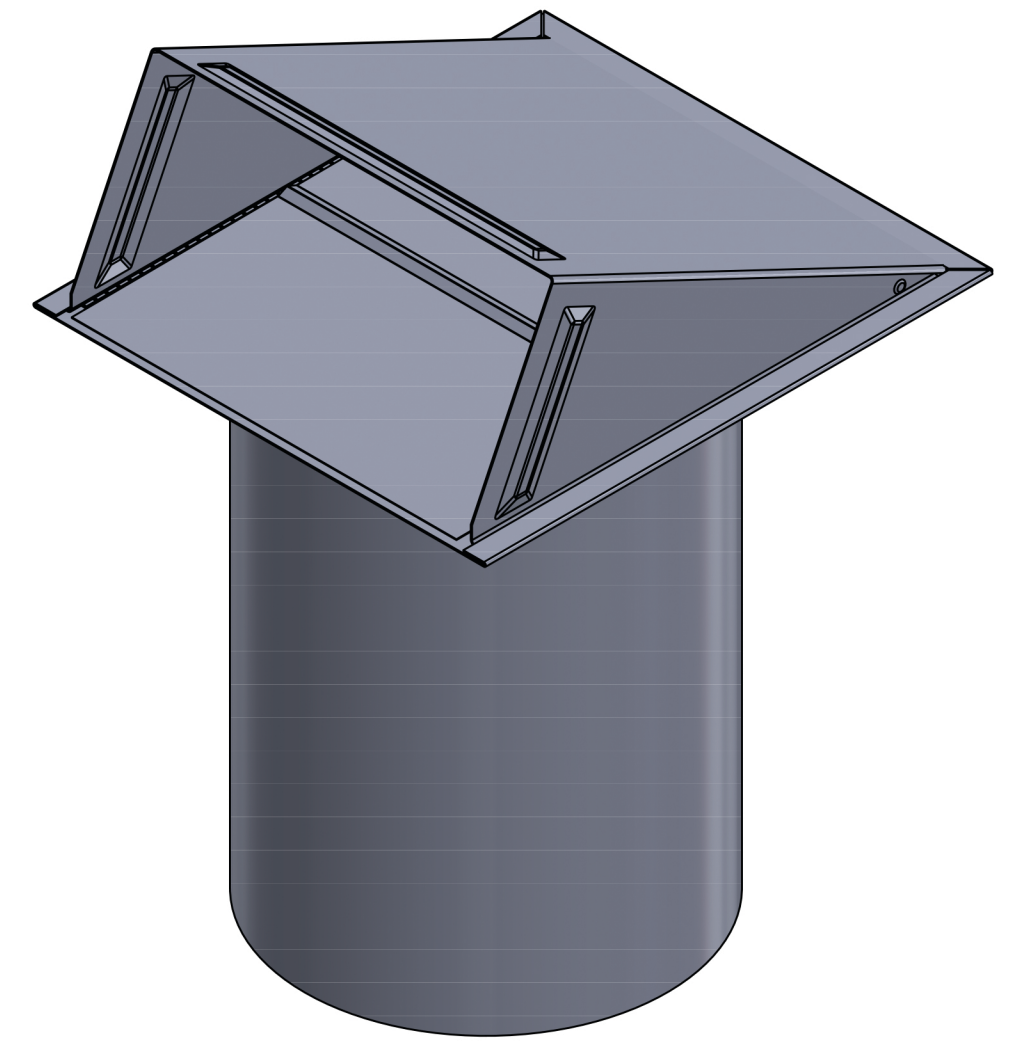
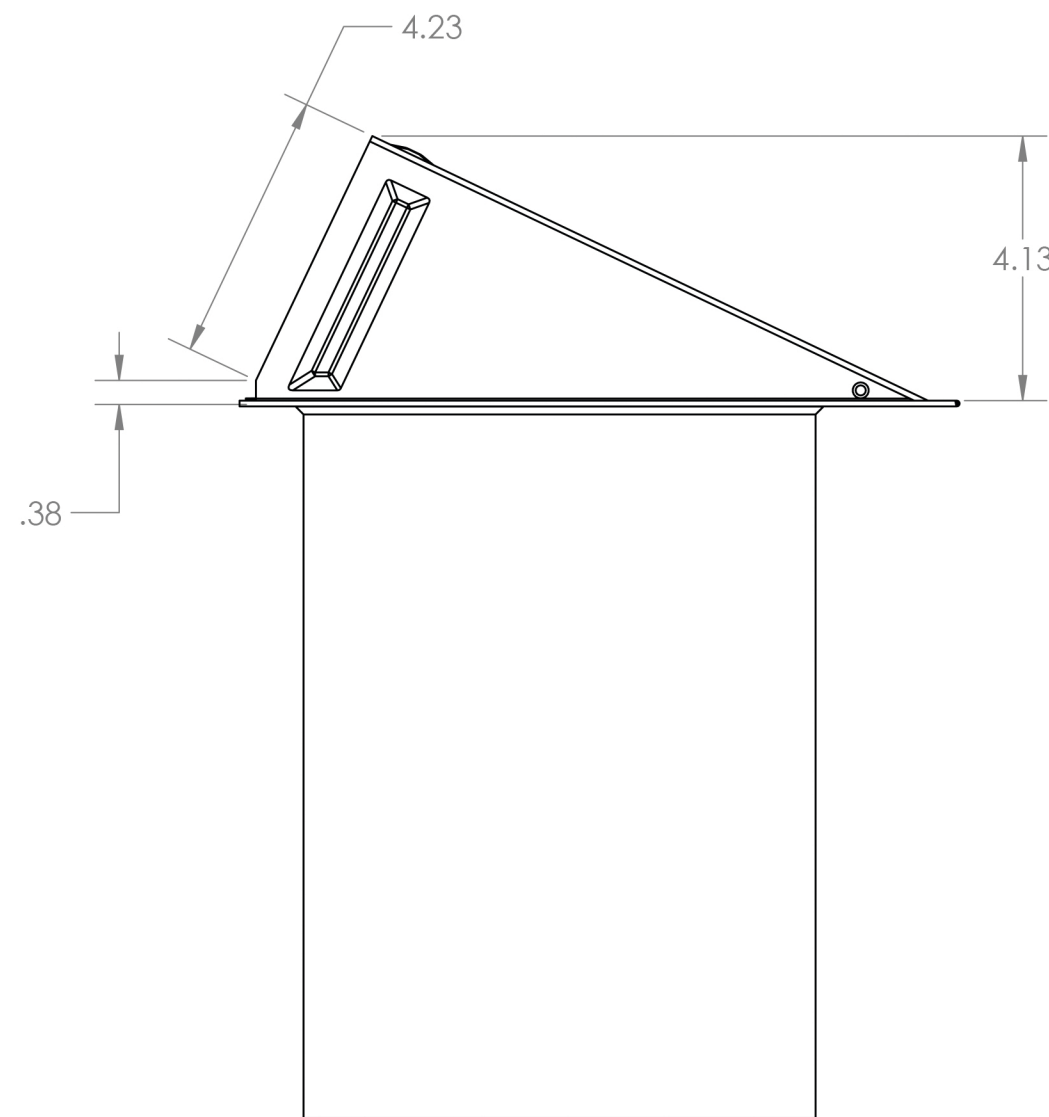
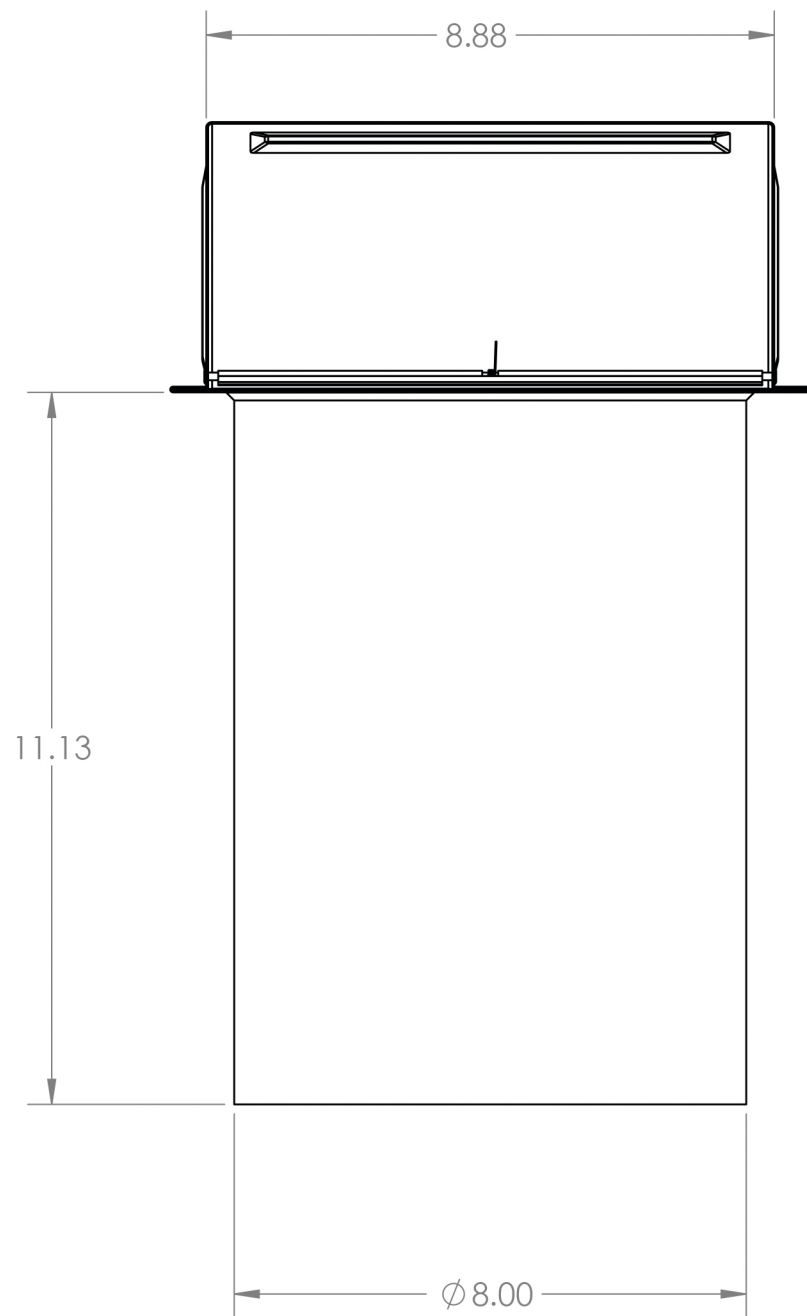
3

2

1



OPEN VENT



CLOSED VENT

**LAMBRO** Lambro Industries, Inc.  
 115 Albany Ave.  
 Amityville, NY 11701  
 (631) 842-8088  
 www.lambro.net

**PROPRIETARY AND CONFIDENTIAL**  
 THE INFORMATION CONTAINED IN THIS DRAWING IS THE SOLE PROPERTY OF LAMBRO. ANY REPRODUCTION IN PART OR AS A WHOLE WITHOUT THE WRITTEN PERMISSION OF LAMBRO IS PROHIBITED.

UNLESS OTHERWISE SPECIFIED:		NAME	DATE
DIMENSIONS ARE IN INCHES	DRAWN		
TOLERANCES:	CHECKED		
FRACTIONAL ± 1/16	ENG APPR.		
ANGULAR: MACH ± 1 BEND ± .01	MFG APPR.		
TWO PLACE DECIMAL ± 0.01	Q.A.		
THREE PLACE DECIMAL ± 0.005	COMMENTS:		
INTERPRET GEOMETRIC TOLERANCING PER:	Net Free Area (NFA)		
MATERIAL	Mouth Opening: 40 sq. in.		
FINISH	Opening With Screen: 28 sq. in.		
NEXT ASSY	USED ON		
APPLICATION	DO NOT SCALE DRAWING		
	Spring Controlled Damper		

TITLE: 8" Paint Grade Steel Wall Exhaust Hood Vent Spring Damper - 1/4" Wire Mesh Screen 11" Pipe Cover, Base, Damper & Pipe: 26 Gauge	
SIZE DWG. NO.	
<b>C 3480GMS-11-PG</b>	
SCALE: 1:3	WEIGHT: SHEET 1 OF 1

4

3

2

1

D

D

C

C

B

B

A

A