

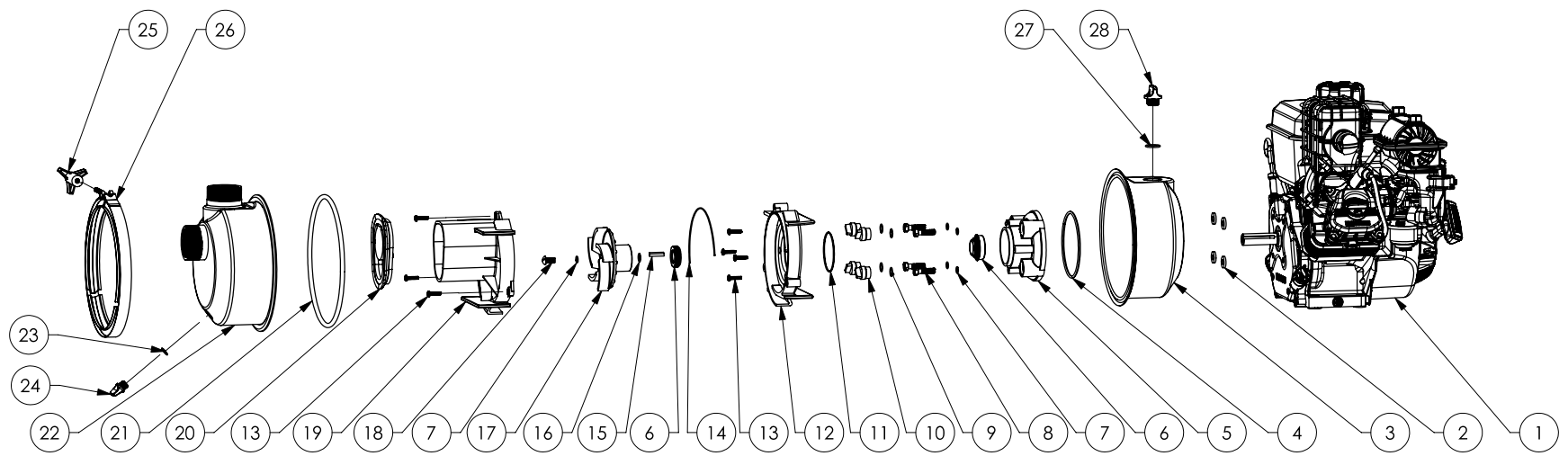
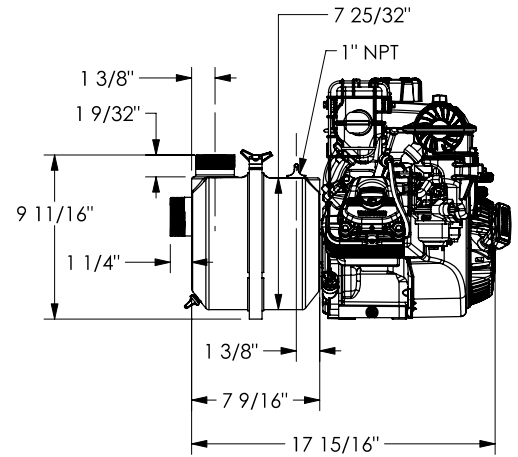
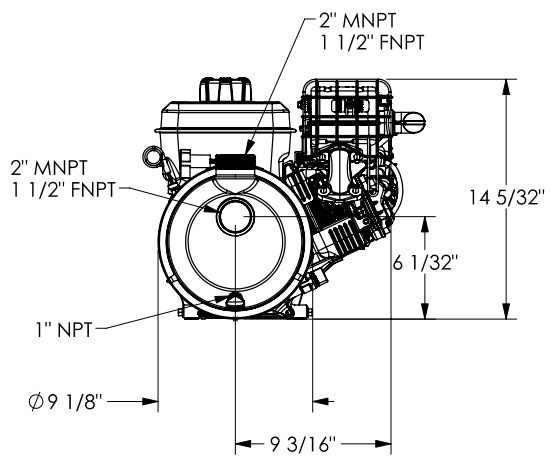


2" Self-Priming Centrifugal Pump for Potable Water

Model: IPW2WL-E6VCP

Price Code: P-57-12W4-E6VCP

Driver: Briggs & Stratton Vanguard (6.5 HP)





2" Self-Priming Centrifugal Pump for Potable Water

Model: IPW2WL-E6VCP

Price Code: P-57-12W4-E6VCP

Driver: Briggs & Stratton Vanguard (6.5 HP)

NO.	DESCRIPTION	QTY	PART NO.
1	Gasoline Engine Briggs & Stratton Vanguard	1	58-0646-V
2	Spacer PET	4	58-1244-30
3	Body, rear SS 316	1	58-1308-10
4	Support O-Ring EPDM	1	58-1361-72N
5	Support PP	1	58-1301-40N
6	2pc. Shaft Seal FKM, SS 316, carbon/ceramic .75"	1	58-0714-14N
7	Volute Screw O-Ring EPDM	5	58-0717-72N
8	Support Screw SS 5/16-24x1 1/4"	4	58-0715-10
9	Support Screw EPDM Plug O-Ring	4	58-1245-72N
10	Support Screw PP Plug	4	58-1233-40N
11	Rear Volute O-Ring EPDM	1	58-1203-72N
12	Volute, rear PP	1	58-1302-40N
13	Volute Screw SS #10x3/4"	7	58-1348-10
14	O-Ring Segment EPDM	1	58-1246-72N
15	Shaft Key SS 3/16" SQ. x 15/16" Long	1	58-0718-10
16	Shim SS .006" .015" .030"	As req.	58-0778-11 58-0778-12 58-0778-13
17	Impeller PP	1	58-0683-40N
18	Impeller Screw SS 316 5/16"-24x.75"	1	58-0716-10
19	Volute, front PP Flat	1	58-1303-40N
20	Check Valve EPDM	1	58-1872-72N
21	Body O-Ring EPDM	1	58-1312-72N
22	Body, front SS 316	1	58-2012-10
23	Drain Plug O-Ring EPDM	1	58-1009-72N
24	Drain Plug PP	1	58-0723-40N
25	V-Band Knob	1	58-1282-90
26	V-Band Clamp SS	1	58-1280-01
27	Filler Plug O-Ring EPDM	1	58-0765-72N
28	Filler Plug PP	1	58-0722-40N