

PARTS CATALOGUE

Bighorn 550

Version: 20250704

Bighorn 550 B/DX/DXH CONTENTS

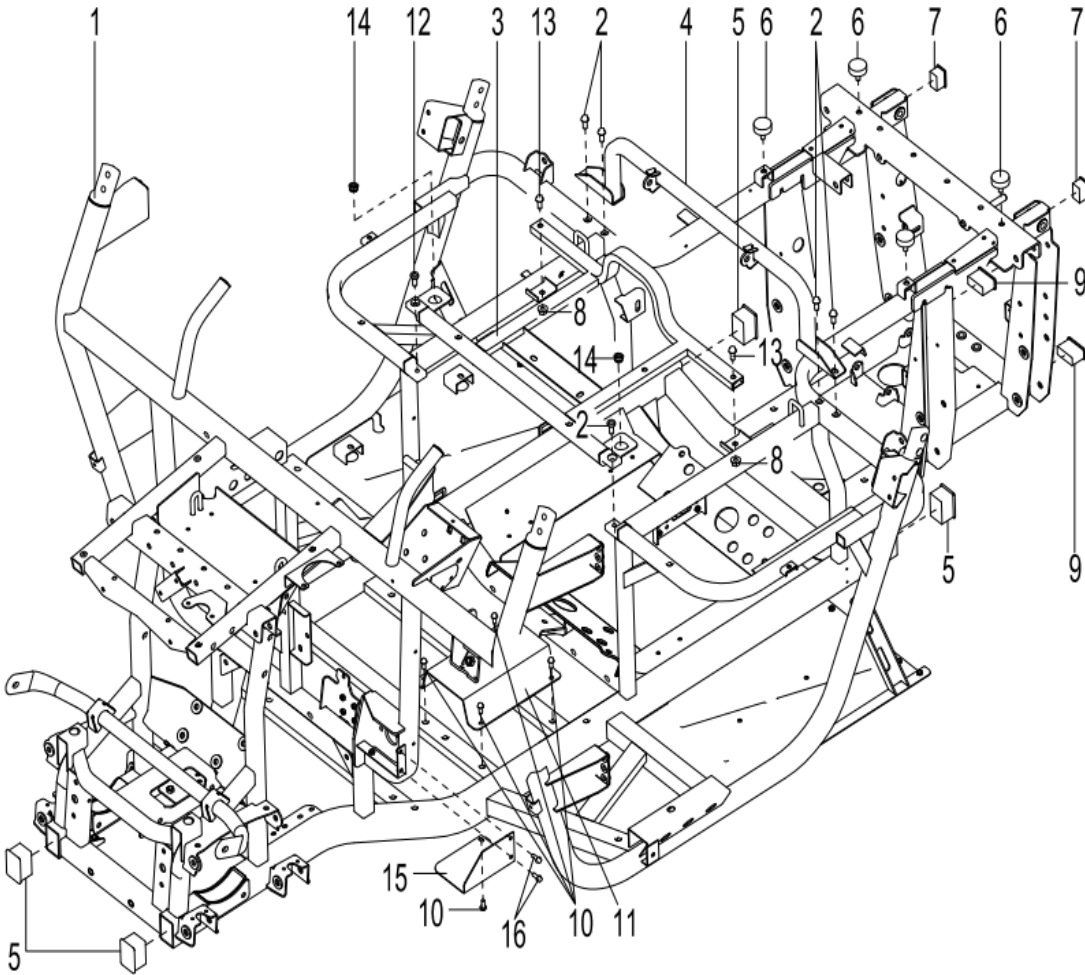
- 1 FRAME
- 2 FRONT SUSPENSION SYSTEM
- 3 REAR SUSPENSION SYSTEM
- 4 STEERING ASSY
- 5 FRONT BUMPER
- 6 ROP
- 7 SEAT ASSY
- 8 FRONT AXLE & FRONT DRIVE SHAFT
- 9 REAR AXLE & REAR DRIVE SHAFT
- 10-1 FRONT WHEEL
- 10-2 REAR WHEEL
- 11 ENGINE FIXED
- 12 PARKING ASSY
- 13 FOOT BRAKE, ACCELERATOR
- 14 BRAKING ASSY
- 15 GEARSHIFT
- 16 COOLING SYSTEM
- 17 INSTRUMENT PANEL
- 18 RIGHT STORAGE COVER
- 19 MEDIUM STORAGE BOX
- 20 HEADLIGHT
- 21 FRONT PANEL
- 22 FRONT MASK DECORATIVE PANEL
- 23 FRONT COVER
- 24 FRONT MASK COVER PLATE
- 25 BUCKET SEAT PANEL
- 26-1 SEAT CUSHION BACK PANEL
- 26-2 GUSSET
- 27 FRONT MUDGUARD
- 28 PLASTIC PARTS FOR CARGO BOXES
- 29 CARGO BOX UNDERFRAME
- 30 SNOW SHOVEL
- 31 ELECTRICAL SYSTEM
- 32 CABLE
- 33 ROOF
- 34 CHASSIS SHIELD
- 35 BACK SUPPORT BALL HEAD

Bighorn 550 B/DX/DXH CONTENTS

- 36 ACCESSORIES
- 37 SWITVH TO EPS SYSTEM [Bighorn 550 DX/DXH]
- 38 WARM AIR SYSTEM [Bighorn 550 DX/DXH]
- 39 DRAG THE POWER SUPPLY AND INSTALL THE PLASTIC BOARD
- 40 SEAT BELT
- 41 THE BOTTOM FRAME OF THE CARGO BOX WITH PUSH ROD MOTOR (MATCH)
- 42 SOFT PACKAGE
- 43 LABELLING
- 44 HALF DOOR ASSY[Bighorn 550 DX]
- 44-1. INNER DOOR ASSY[Bighorn 550 DX]
- 44-2. HALF DOOR FRAME[Bighorn 550 DX]
- 44-3. OUTER DOOR PANEL[Bighorn 550 DX]
- 44-4. DOOR BODY ACCESSORIES[Bighorn 550 DX]
- 45 MULTIMEDIA[Bighorn 550 DXH]
- 46 REAR WINDSHIELD
- 47 WHOLE DOOR ASSY[Bighorn 550 DXH]
- 47-1 INNER DOOR ASSY[Bighorn 550 DXH]
- 47-2 WHOLE DOOR FRAME[Bighorn 550 DXH]
- 47-3 OUTER DOOR PANEL[Bighorn 550 DXH]
- 47-4 DOOR BODY FITTINGS[Bighorn 550 DXH]
- 48 ROP SHEATH ASSEMBLY
- 49 BOX COMPONENT
- 50 INPUT SHAFT COMPONENT
- 51 OUTPUT SHAFT COMPONENT
- 52 SWITCHING MECHANISM COMPONENT
- 53 BOX COMPONENT
- 54 OUTPUT SHAFT COMPONENT
- 55 OUTPUT SHAFT COMPONENT
- 56 SWITCHING MECHANISM COMPONENT

Bighorn 550 B/DX/DXH PARTS DIAGRAM

1.FRAME



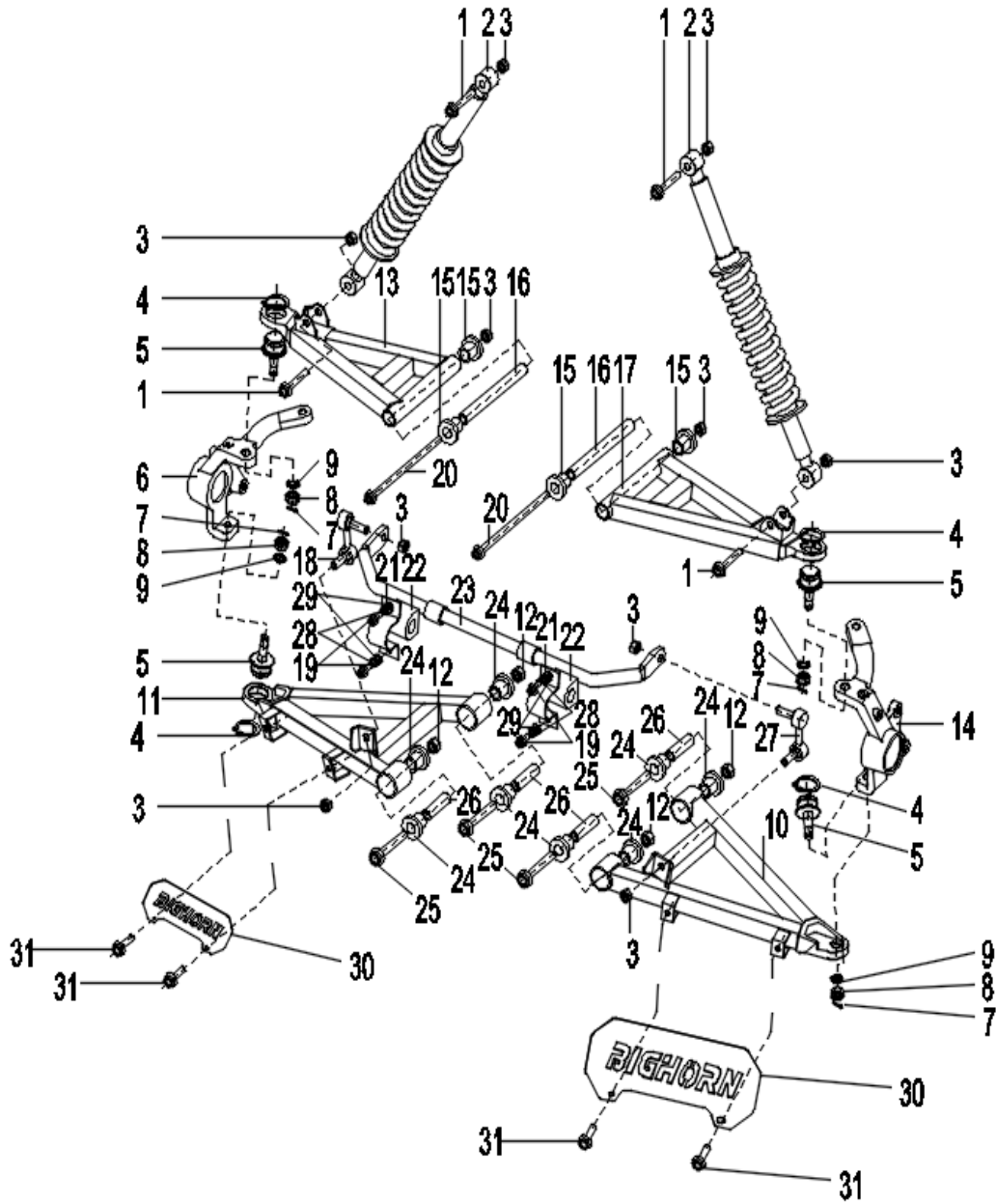
Bighorn 550 B/DX/DXH PARTS LIST

1.FRAME

NO.	PART NAME	PART NO.	QUANTITY
1	FRAME	3MU5100020	1
2	Bolt M8×22 (GB/T 16674.1)	9184308022281300	4
3	Support For Bench Seat	3MU5081000	1
4	Mounting Support For Safety Belt	3MU5082000	1
5	Plug 60×40	1MU6033010	4
6	Rubber Stopper	1MU5901000	2
7	Plug 40×25	1MU7087500	2
8	Nut M8 (GB/T 6187.1)	9330308013241300	2
9	Plug 50×25	1MU7087600	2
10	Bolt M6×16 (GB/T 5789)	9186306016166300	5
11	Middle Support For Foot Pedal Cover	3MU5099000	1
12	Bolt M8×25 (GB/T 70.1)	9218308025261300	2
13	Bolt M8×25 (GB/T 16674.1)	9184308025261300	2
14	Rubber Set,Seat	1MU5130200	2
15	Brake Main Cylinder Protection Plate ASSY	3MU7225010	1
16	Bolt M6×25 (GB/T 5789)	9186306025161300	2

Bighorn 550 B/DX/DXH PARTS DIAGRAM

2.FRONT SUSPENSION SYSTEM



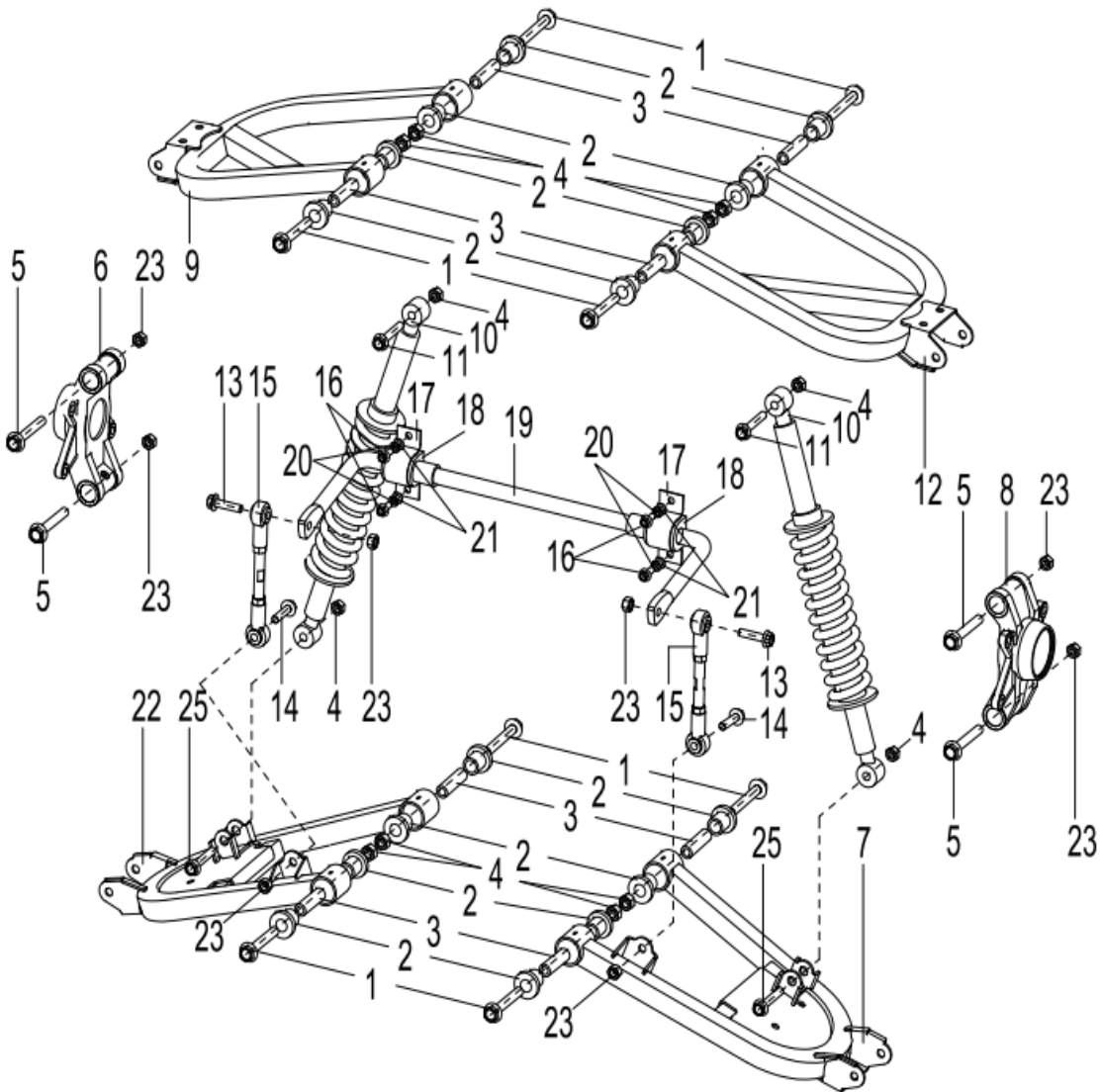
Bighorn 550 B/DX/DXH PARTS LIST

2.FRONT SUSPENSION SYSTEM

NO.	PART NAME	PART NO.	QUANTITY
1	Bolt M10×1.25×55 (GB/T 5789)	9186310055281300	4
2	Front Shock Absorber	3MU5421000	2
3	Nut M10×1.25 (GB/T 6187.2)	9330310015261300	14
4	Shift Ring D=φ32	3MU5454100	4
5	Ball Joint	3MU5454010	4
6	Right Steering Knuckle Assy	3MUX545200	1
7	Pin 2.5×25	9500325025002300	4
8	Nut M12×1.25	3MU5454200	4
9	Spring Washer φ12	9403112000000000	4
10-1	Front Left Lower Swing Arm	3MU5413020	1
10-2	Front Left Lower Swing Arm	3MU5413030	1
11-1	Front Right Lower Swing Arm	3MU5433020	1
11-2	Front Right Lower Swing Arm	3MU5433030	1
12	Nut M12×1.25 (GB/T 6187.2)	9330312018261300	4
13	Front Right Upper Swing Arm	3MU5431010	1
14	Left Steering Knuckle Assy	3MUX545100	1
15	Bush 1, Arm	1MU5510300	4
16	Steel Bush for Front Upper Swing Arm	3MU5410200	2
17	Front Left Upper Swing Arm	3MU5411010	1
18	Left Joint For Stabilizer Bar	1MU5562000	1
19	Bolt M8×20 (GB/T 5789)	9186308020261300	4
20	Bolt M10×1.25×232	3MU5410100	2
21	Holder For Stabilizer Bar	1MU5560100	2
22	Rubber Bush For Stabilizer Bar	1MU5560200	2
23	Front Stabilizer Bar	3MU5453000	1
24	Short Bush For Swing Arm	3MU5510300	8
25	Bolt M12×1.25×85	3MU5410600	4
26	Steel Bush for Front Lower Swing Arm	3MU5410700	4
27	Right Joint For Stabilizer Bar	1MU5563000	1
28	Spirng washer 8 (GB/T 93)	9403108000000000	4
29	Washer 8 (GB/T 97.1)	9401308000031300	4
30	Cage protection plate	3MU7229010	2
31	Bolt M6×12(GB/T 5789)	9186306012162300	4

Bighorn 550 B/DX/DXH PARTS DIAGRAM

3. REAR SUSPENSION SYSTEM



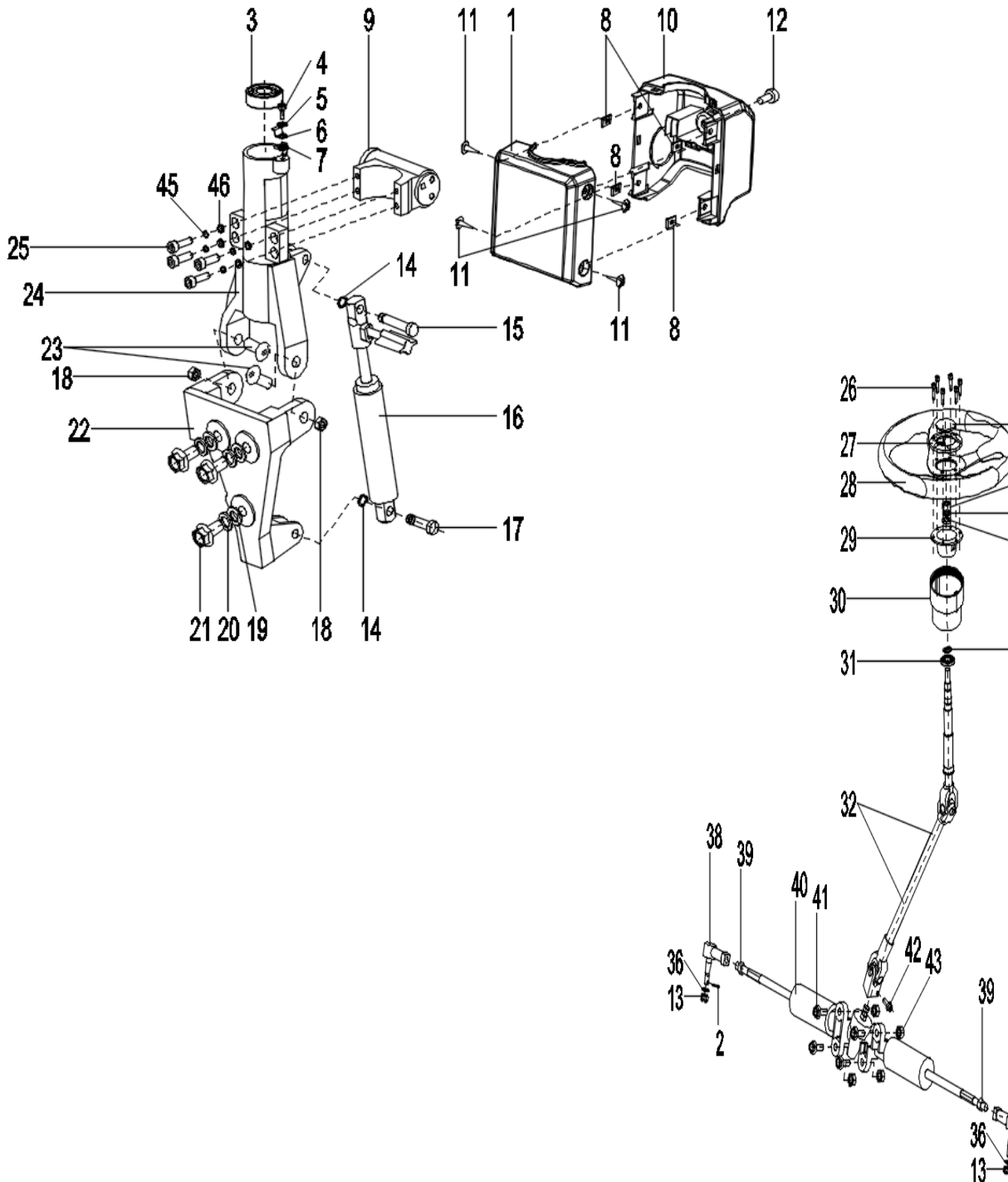
Bighorn 550 B/DX/DXH PARTS LIST

3.REAR SUSPENSION SYSTEM

NO.	PART NAME	PART NO.	QUANTITY
1	Bolt M12×1.25×85	3MU5410600	8
2	Short Bush For Swing Arm	3MU5510300	16
3	Steel Bush for Front Lower Swing Arm	3MU5410700	8
4	Nut M12×1.25	9330312018261300	12
5	Bolt M10×1.25×100	3MU5520300	4
6	Rear Right Knuckle Assy	3MUX551420	1
7-1	Rear Left Lower Swing Arm	3MU5472010	1
7-2	Rear Left Lower Swing Arm	3MU5472020	1
8	Rear Left Knuckle Assy	3MUX551410	1
9-1	Rear Right Upper Swing Arm	3MU5491010	1
9-2	Rear Right Upper Swing Arm	3MU5491020	1
10	Rear Shock Absorber	3MU5521000	2
11	Bolt M12×1.25×65	3MU5520100	2
12-1	Rear Left Upper Swing Arm	3MU5471010	1
12-2	Rear Left Upper Swing Arm	3MU5471020	1
13	Bolt M10×1.25×50	1MU5520100	2
14	Bolt M10×1.25×45 (GB/T 5789)	9186310045281300	2
15	Joint For Rear Stabilizer Bar	3MU5564000	2
16	Bolt M8×20 (GB/T 5789)	9186308020261300	4
17	Holder For Stabilizer Bar	1MU5560100	2
18	Rubber Bush For Stabilizer Bar	1MU5560200	2
19	Rear Stabilizer Bar	3MU5561000	1
20	Spring Washer φ8	9403108000000000	4
21	Flat Washer φ8	9401308000031300	4
22-1	Rear Right Lower Swing Arm	3MU5492010	1
22-2	Rear Right Lower Swing Arm	3MU5492020	1
23	Nut M10×1.25	9330310015261300	8
24	Straight Hydraulic Grease Nipples	JB/T7940.1	8
25	Bolt M12×1.25×62	3MU5520200	2

Bighorn 550 B/DX/DXH PARTS DIAGRAM

4. STEERING ASSY



Bighorn 550 B/DX/DXH PARTS LIST

4. STEERING ASSY

NO.	PART NAME	PART NO.	QUANTITY
1	steering column cover	3MU6014500	1
2	Pin 2.5×25	9500325025002300	2
3	Bear 35×20×9	3MU5623300	1
4	Bolt M4×6 (GB/T 818)	9214340060002300	1
5	Insulation Pad (Upside)	3MU5619300	1
6	Conducting Plate Of Horn Switch	3MU5619100	1
7	Insulation Pad (Downside)	3MU5619200	1
8	Spring Nut ST4.2 (Q397A)	9397342000002300	4
9	Key Switch	3MU8051000	1
10	steering column cover, Low	3MU6014600	1
11	Screw ST4.8×16 (GB/T 845)	9271348160006300	4
12	Screw M6×16 (GB/T 973)	9276360160111300	1
13	Nut M12×1.25	9383312018261300	2
14	Shift Ring D=8	9431108000000000	2
15	Long Fixing Pin, Steering Column Gas Spring	3MU5623100	1
16	Steering Colum Gas Spring	2MU5626000	1
17	Short Fixing Pin, Steering Column Gas Spring	3MU5623200	1
18	Hexagon Lock Nut, M10×1.5 (GB/T 6185.1)	9332310016361300	2
19	Flat Washer φ10	9401310000031300	3
20	Spring Washer φ10	9403110000000000	3
21	Bolt M10×1.25×20 (GB/T 5789)	9186310020281300	3
22	Holder For Steering Column	3MU5621000	1
23	Bolt M10×1.5×35 (GB/T973)	9276310035361300	2
24	Steering Column	3MU5622000	1
25	Bolt M5×18 (GB/T 818)	9214350180015300	4

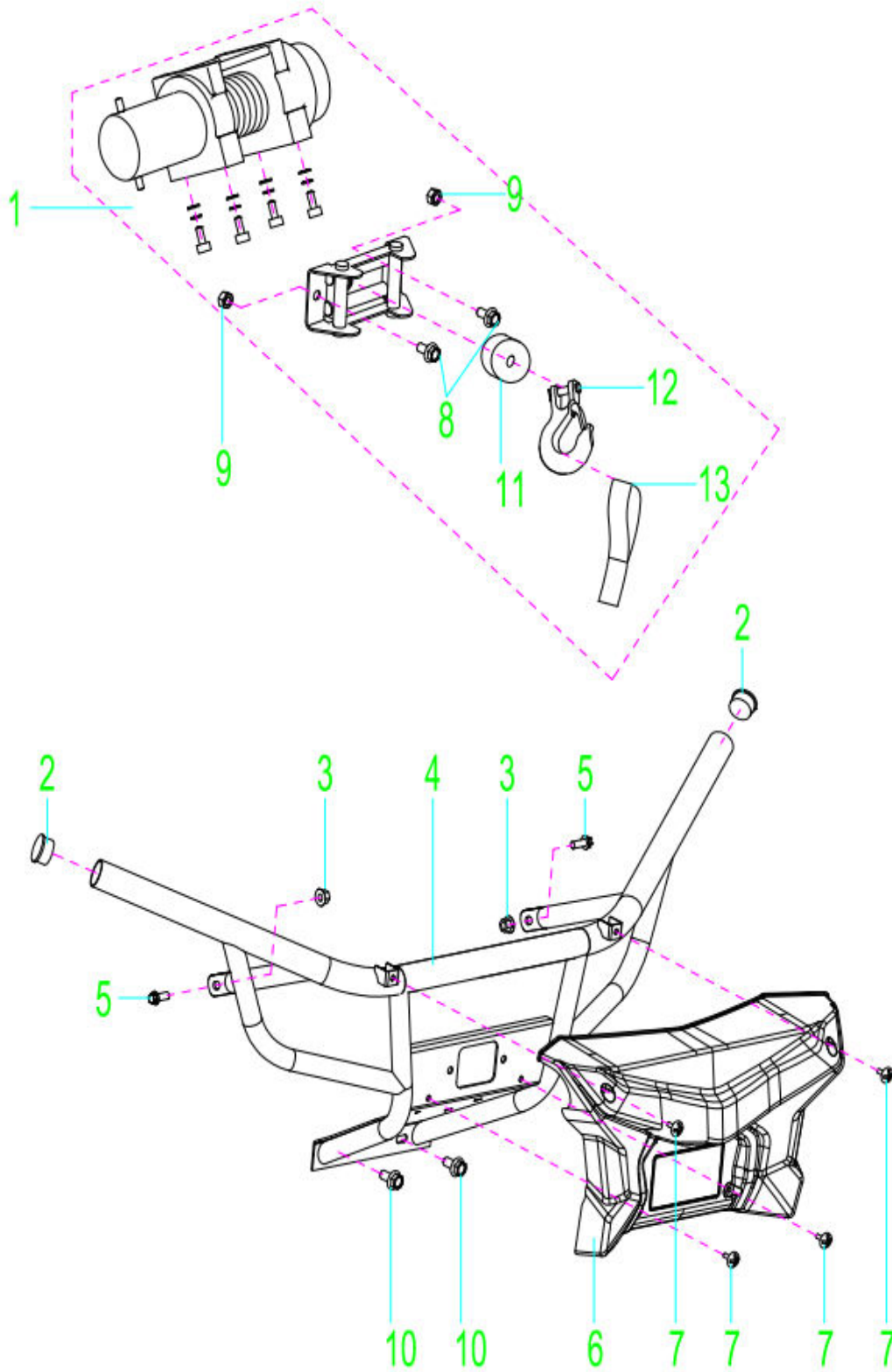
Bighorn 550 B/DX/DXH PARTS LIST

4. STEERING ASSY

NO.	PART NAME	PART NO.	QUANTITY
26	Bolt M5×20 (GB/T 70.1)	9218250200100000	6
27	Aluminium Cover For Steering Column	2MU5610200	1
28	Steering Wheel	1MU5611000	1
29	Holder For Steering Wheel	2MU5610100	1
30	Plastic Sleeve For Steering Column	3MU562A000	1
31	Bear 61805	933061805	1
32	Steering Transmission Linkage	3MU5613000	1
33	Horn Switch	2MU8061000	1
34	NUt M12×1.25	9350312018261300	1
35	Spring Washer φ12	9403112000000000	1
36	Flat Washer φ12	9401312000031300	3
37	Shift Ring D=20	9431120000000000	1
38	Tie Rod End	3MU5617000	2
39	Slotted nut M12×1.25	3MU5617100	2
40	Steering Mechanism	3MU5612000	1
41	Bolt M10×1.25×35 (GB/T 5789)	9186310035281300	4
42	Bolt M8×20	9150308020261300	1
43	Nut M10×1.25	9330310015261300	4
44	Flat Washer 12	3MU5617200	2
45	Spring washer 5	9403105000000000	4
46	Washer 5 (GB/T 97.1)	9401305000031300	4

Bighorn 550 B/DX/DXH PARTS DIAGRAM

5.FRONT BUMPER



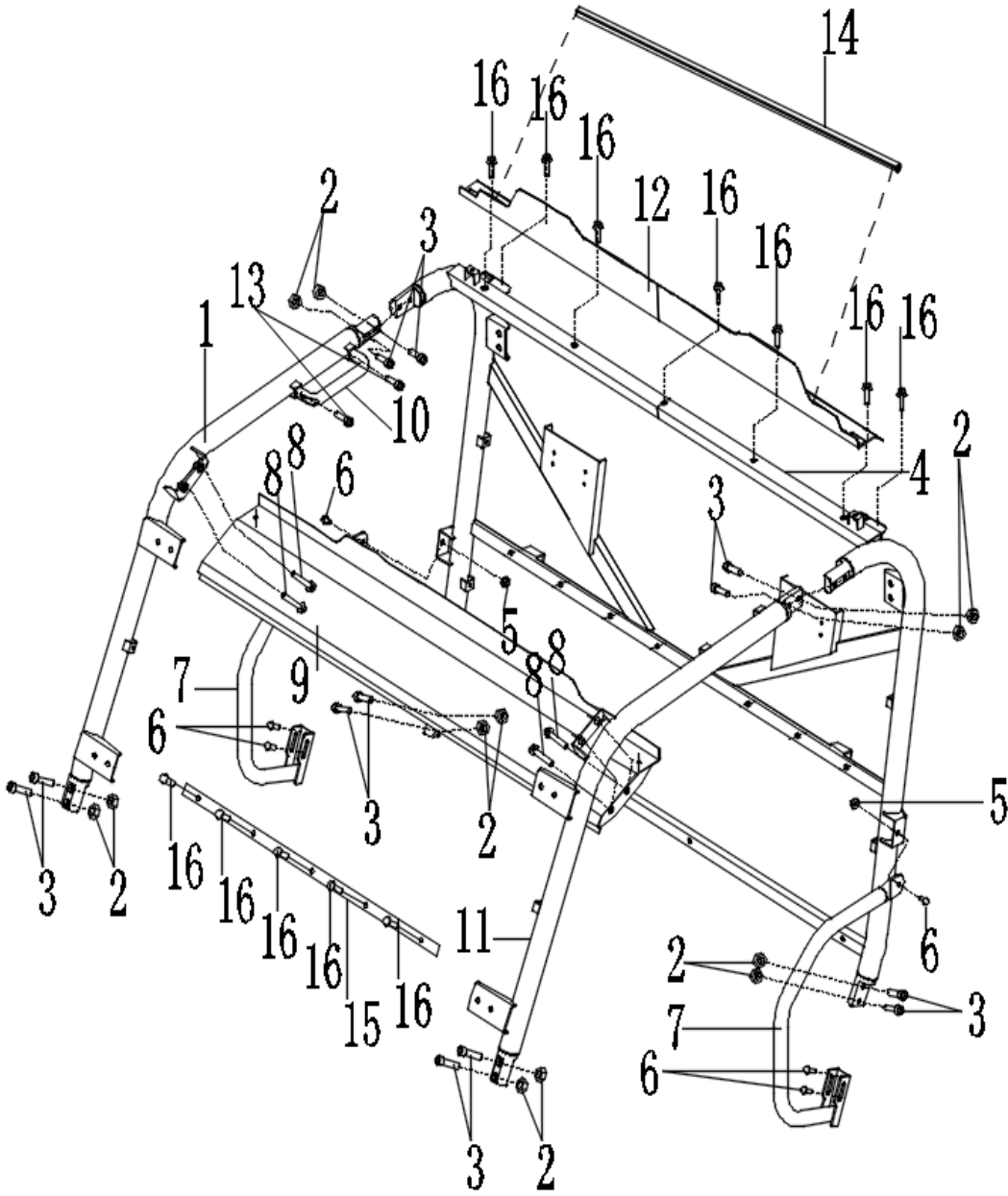
Bighorn 550 B/DX/DXH PARTS LIST

5.FRONT BUMPER

NO.	PART NAME	PART NO.	QUANTITY
1	Winch	3MU8020200	1
2	Plug	1MU5000100	2
3	Nut M10×1.25	9330310015261300	2
4	Front Bumper Assy	3MU5250000	1
5	Bolt M10×1.25×25 (GB/T 5789)	9186310025281300	2
6	Protective Cover, Front Bumper	3MU6022400	4
6	Protective Cover, Front Bumper	3MU6011900	1
7	Screw M6×16	9276360160111300	4
8	Bolt M8×25 (GB/T 16674.1)	9184308025261300	2
9	Nut M8	9330308013241300	2
10	Bolt M10×1.25×20 (GB/T 5789)	9186310020281300	2
11	Winch Hook Stop Block	2MUX802023	1
12	Winch Hook	2MUX802024	1
13	Winch Hook Red Drawstring	2MUX802025	1

Bighorn 550 B/DX/DXH PARTS DIAGRAM

6.ROP



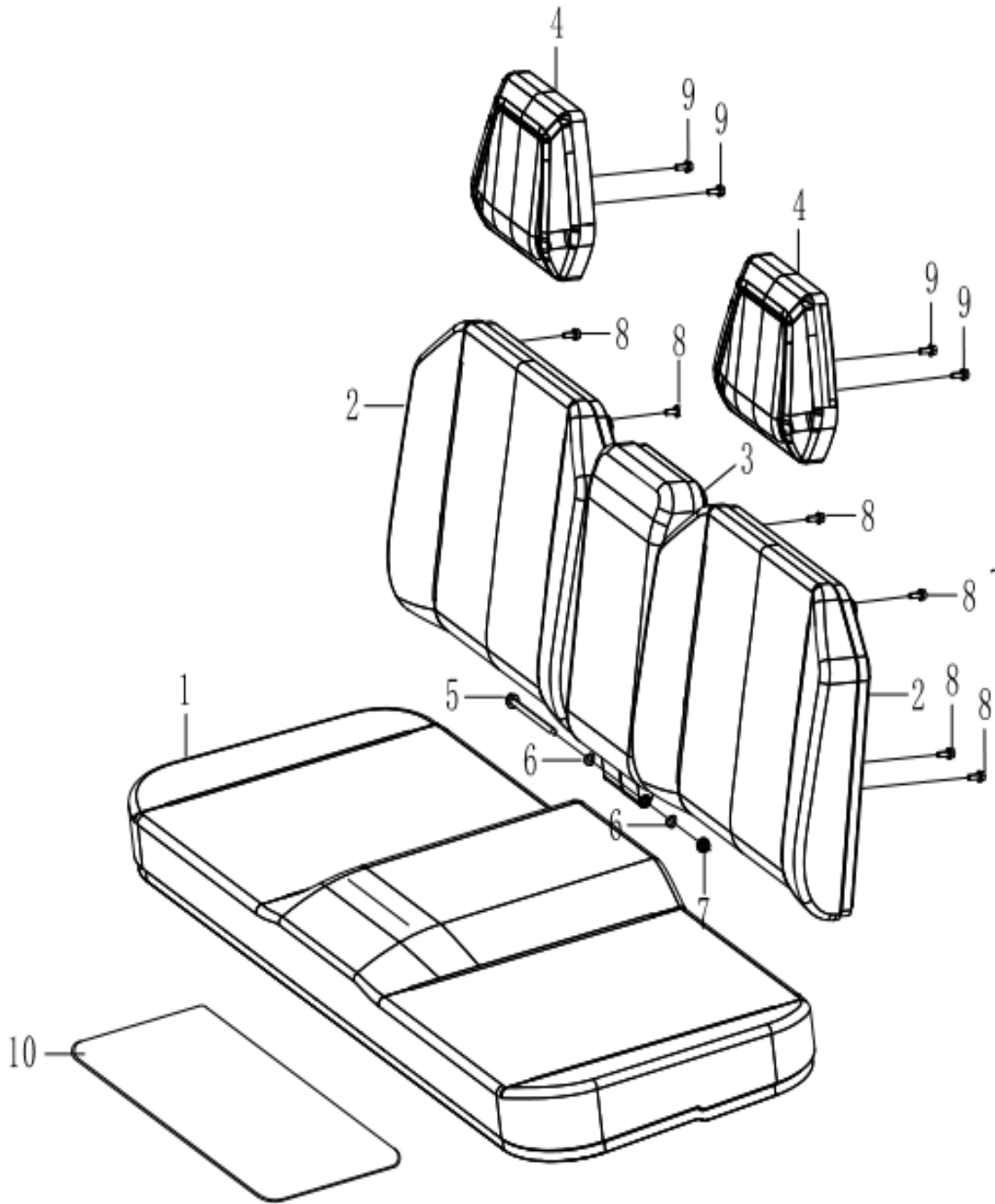
Bighorn 550 B/DX/DXH PARTS LIST

6.ROP

NO.	PART NAME	PART NO.	QUANTITY
1	ROP frame, FR (Fully enclosed)	3MU7354000	1
2	Hexagon Lock Nut, M10×1.5 (GB/T 6185.1)	9332310016361300	12
3	Hexagon Socket Head Bolt M10×1.5×45 (GB/T70.1)	9218310045346300	12
4	ROP frame, Rear (Fully enclosed)	3MU7355000	1
5	Nut M8 (GB/T 6187.1)	9330308013241300	2
6	Bolt M8×20 (GB/T 5789)	9186308020261300	6
7	Side Protection Tube	3MU7357000	2
8	Bolt M10×1.25×25 (GB/T 5789)	9186310025281300	4
9	ROP front bracket (Fully enclosed)	3MU7351000	1
10	Passenger's handle	3MU7356000	1
11	ROP frame, FL (Fully enclosed)	3MU7353000	1
12	Fully enclosed ROP rear top baffle	3MU7352000	1
13	Screw M6×25 (GB/T 70.1)	9218306025362300	2
14	Upper baffle seal (D-17 1.3m)	3MU7359100	1
15	Pressure plate on front windshield	3MU7363400	1
16	Bolt M6×16 (GB/T 5789)	9186306016166300	12

Bighorn 550 B/DX/DXH PARTS DIAGRAM

7. SEAT ASSY



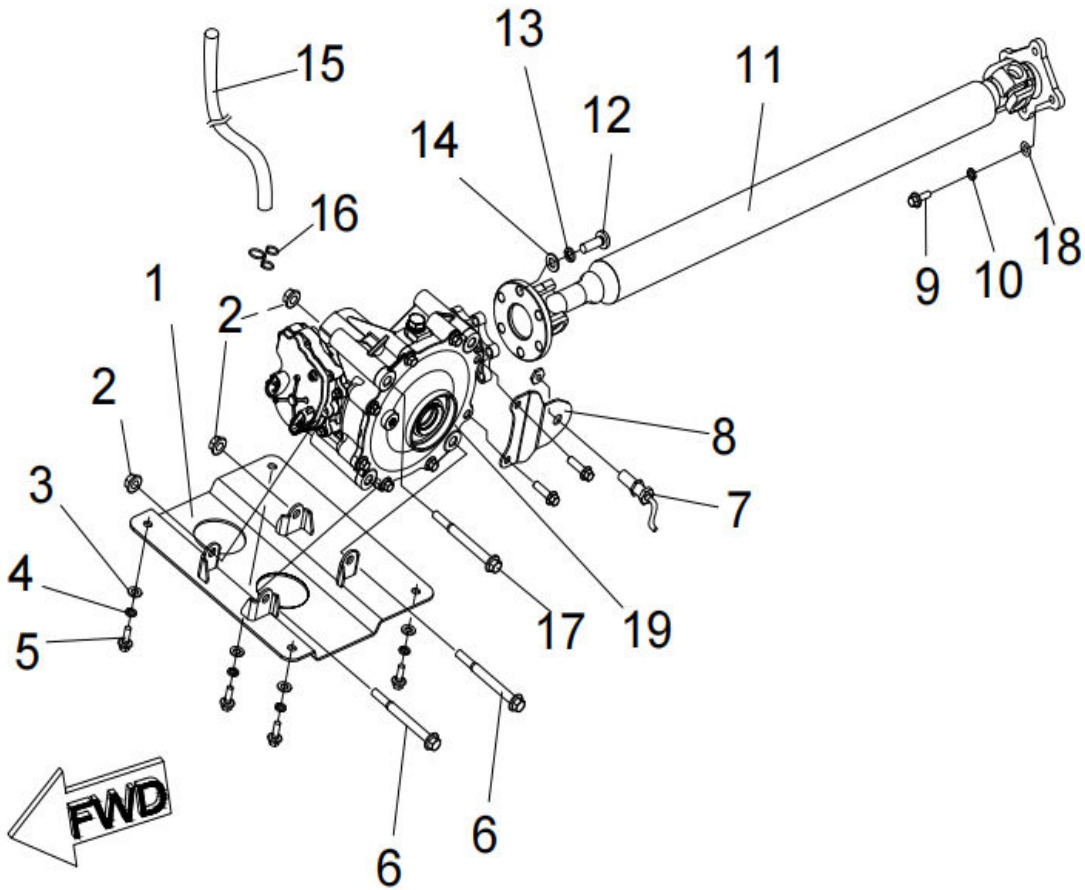
Bighorn 550 B/DX/DXH PARTS LIST

7.SEAT ASSY

NO.	PART NAME	PART NO.	QUANTITY
1	Seat	3MU5810100	1
2	Rear backrest Assy	3MU5830000	2
3	Flip cup holder Assy	3MU5840000	1
4	Head pillow	3MU5820000	2
5	Flip cup holder mounting shaft(M8×125)	3MU5851000	1
6	Saddle Washer 8(GB/T 860)	3MU5852000	2
7	Nut M8 (GB/T 6187.1)	9330308013241300	1
8	Bolt M8×16 (GB/T 5789)	9186308016266300	8
9	Bolt M6×16 (GB/T 5789)	9186306016166300	4
10	Seat cushion insulation tape	1MU6180910	1
11	Seat Cushion(back side)	3MU5810200	16

Bighorn 550 B/DX/DXH PARTS DIAGRAM

8.FRONT AXLE & FRONT DRIVE SHAFT



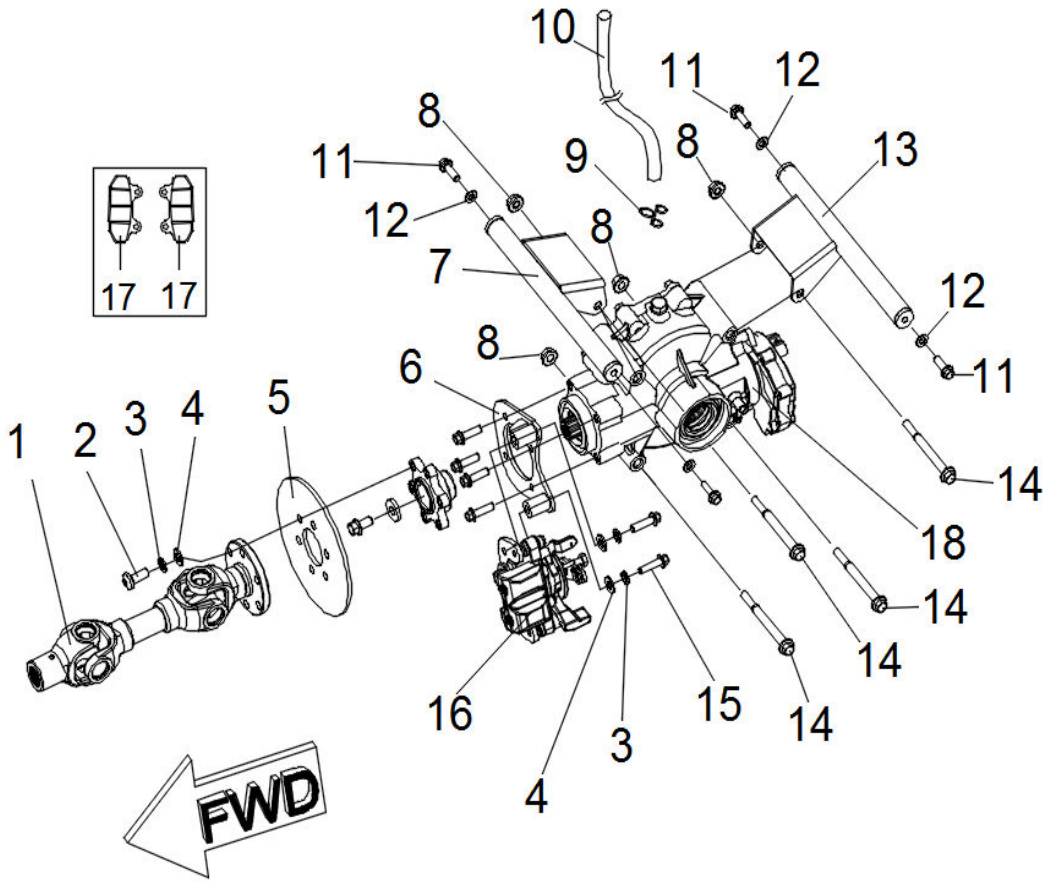
Bighorn 550 B/DX/DXH PARTS LIST

8.FRONT AXLE & FRONT DRIVE SHAFT

NO.	PART NAME	PART NO.	QUANTITY
1	Front axle mounting bracket, Low	3MU5089000	1
2	NUT M10×1.25 (GB/T 6187.2)	9330310015261300	3
3	Washer 8 (GB/T 97.1)	9401308000031300	4
4	Spring Washer 8 (GB/T 93)	9403108000000000	4
5	Bolt M8×20 (GB/T 16674.1)	9186308020261300	4
6	Bolt M10×1.25×110	1MU5514200	2
7	Speed Sensor	3MU8093000	1
8	Support For Vehicle Speed Sensor	3MU5086000	1
9	Bolt M10×1.25×25	3MU5735000	4
10	Spring Washer 10 (GB/T 93)	9403110000000000	4
11	Front Drive Shaft Assy	3MU5732000	1
12	Bolt M10×1.25×25 (GB/T 5783)	9151310025281300	6
13	Spring Washer 10 (GB/T 93)	9403110000000000	6
14	Washer 10 (GB/T 97.1)	9401310000031300	6
15	Axle vent pipe	3MU5750100	1
16	Clip (d=φ11)	1MQ1248900	1
17	Front Axle Mounting Bolt (M10×1.25×110)	3MU5750200	1
18	Washer 10 (GB/T 97.1)	9401310000031300	4
19	FRONT-AXLE ASSY	3MUX575000	1

Bighorn 550 B/DX/DXH PARTS DIAGRAM

9. REAR AXLE & FRONT DRIVE SHAFT



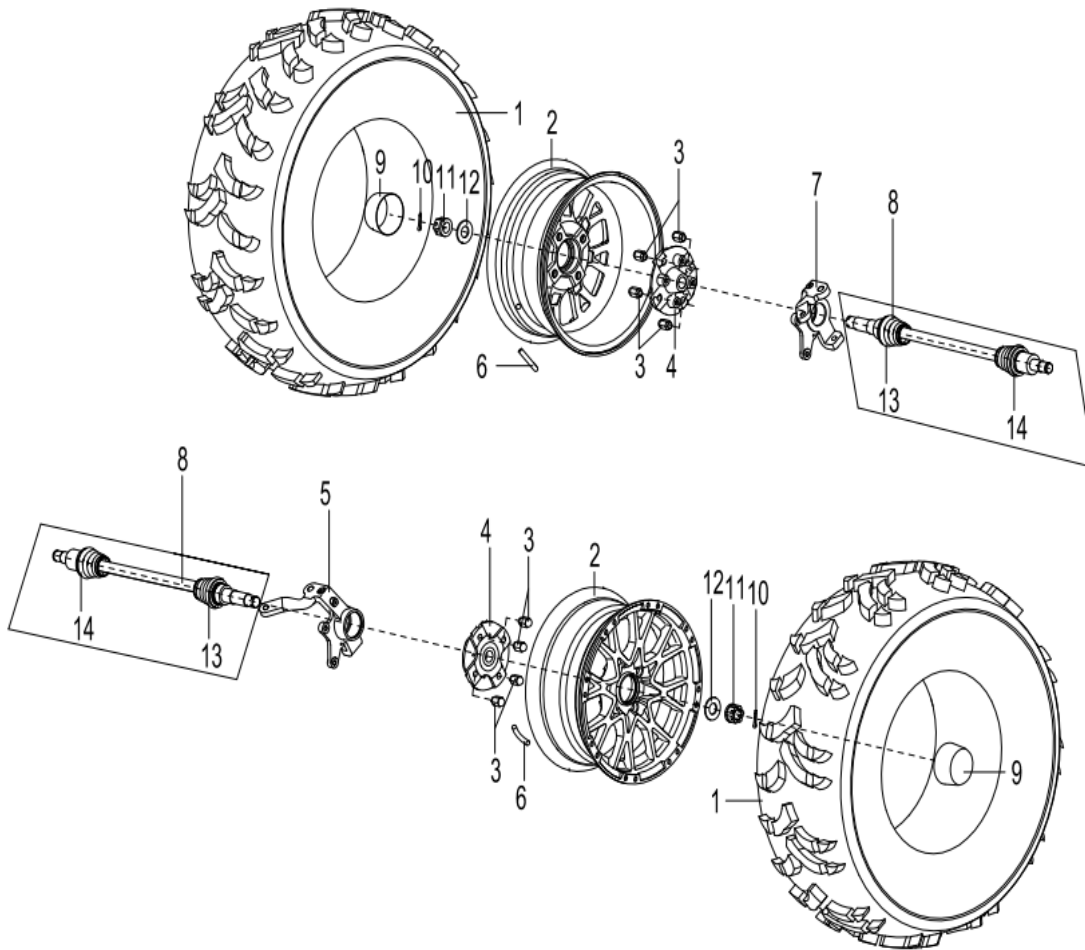
Bighorn 550 B/DX/DXH PARTS LIST

9.REAR AXLE & FRONT DRIVE SHAFT

NO.	PART NAME	PART NO.	QUANTITY
1	Rear transmission shaft Assy	3MU5762000	1
2	Bolt M10×1.25×30 (GB/T 5783)	9151310030281300	6
3	Spring Washer 10 (GB/T 93)	9403110000000000	8
4	Washer 10 (GB/T 97.1)	9401310000031300	8
5	Parking disc	3MU5656100	1
6	Mounting plate of parking caliper	3MU5093000	1
7	Rear axle mounting beam,up F	3MU5094000	1
8	NUT M10×1.25 (GB/T 6187.2)	9330310015261300	4
9	Clip (d=φ11)	1MQ1248900	1
10	Axle vent pipe	3MU5750100	1
11	Bolt M8×25 (GB/T 16674.1)	9184308025261300	4
12	Washer 8 (GB/T 96.1)	9402308000031300	4
13	Rear axle mounting beam,up R	3MU5095000	1
14	Bolt M10×1.25×110	1MU551420001	4
15	Bolt M10×1.25×42 (GB/T 5789)	9186310042281300	2
16	Parking pump	3MU5656000	1
17	Parking inside and outside the hoof (ZL002·2·1C	3MU5656200	2
18	REAR-AXLE ASSY	3MU5790000	1

Bighorn 550 B/DX/DXH PARTS DIAGRAM

10-1FRONT WHEEL



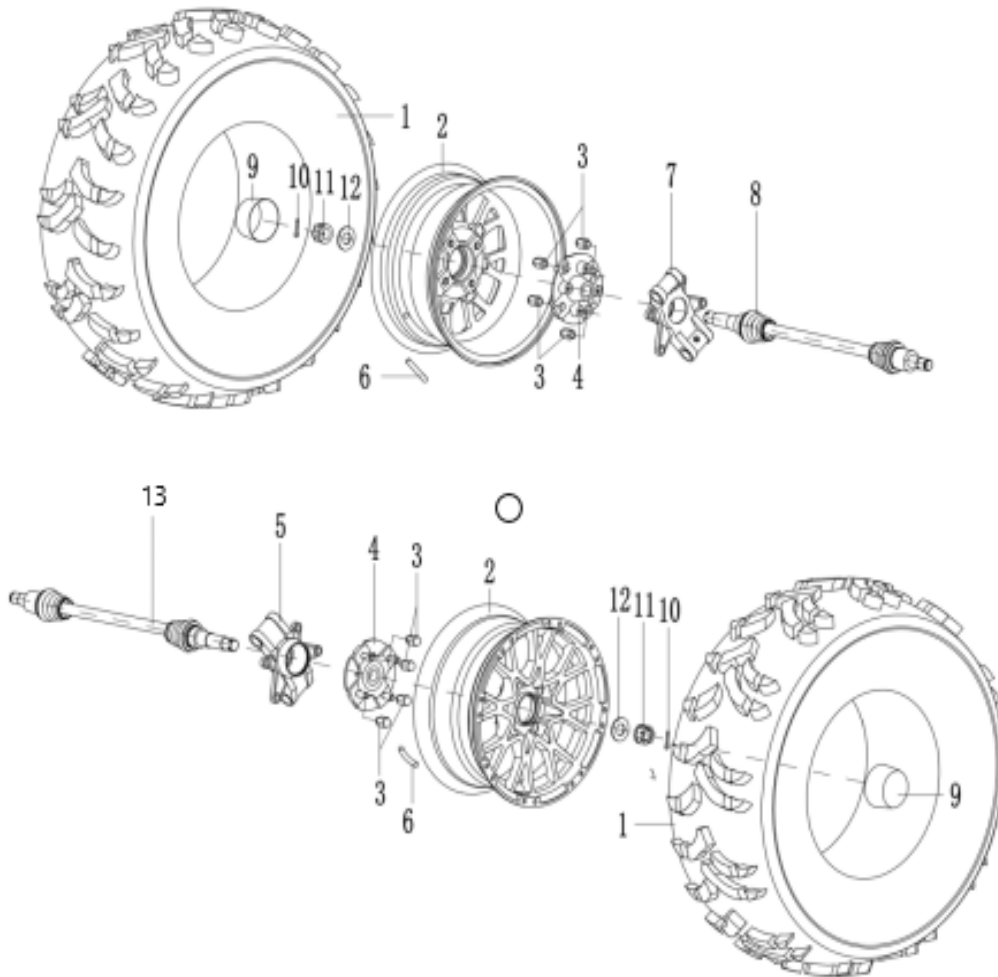
Bighorn 550 B/DX/DXH PARTS LIST

10-1. FRONT WHEEL

NO.	PART NAME	PART NO.	QUANTITY
1	Front Tire, AT26×9-14	9922261409060000	2
2	Front Rim	3MU5551000	2
3	Nut, Wheel	1MU5450300	8
4	HUB ASSY, F	3MUX545510	2
5	Right Steering Knuckle Assy	3MUX545200	1
6	Valve Stem	3MU5554000	2
7	Left Steering Knuckle Assy	3MUX545100	1
8	Front Drive Axle Assy	3MU5740000	2
9	Wheel Cap	3MU5450600	2
10	Pin 4×32	9500340032002300	2
11	Slotted Nut M24×1.5	3MU5450400	2
12	Flatwasher, Hub	3MU5450200	2
13	Cage rubber sheath (outside)	3MU5740200	2
14	Rubber protective cover for ball cage (inner)	3MU5740100	2

Bighorn 550 B/DX/DXH PARTS DIAGRAM

10-2. REAR WHEEL



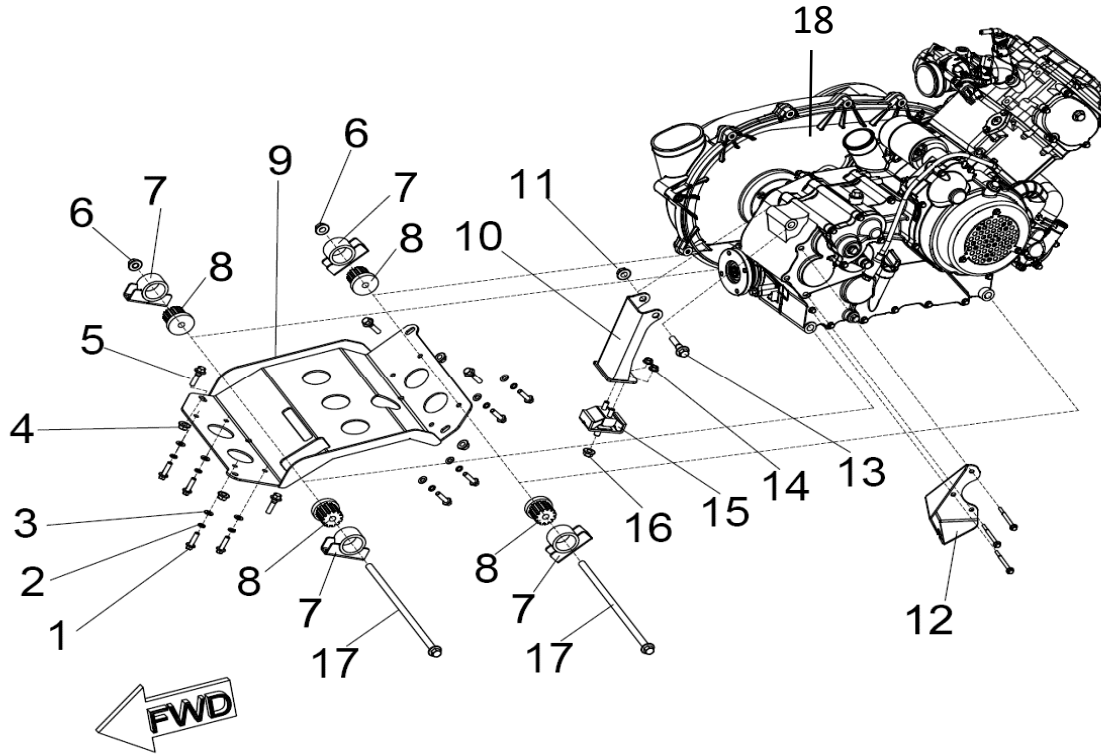
Bighorn 550 B/DX/DXH PARTS LIST

10-2. REAR WHEEL

NO.	PART NAME	PART NO.	QUANTITY
1	Rear Tire, AT26×11-14	9922261411060000	2
2	Rear Rim	3MU5552000	2
3	Nut, Wheel	1MU5450300	8
4	Hub ASYY,R	3MUX545520	2
5	Rear Knuckle ASSY,L	3MUX551410	1
6	Valve Stem	3MU5554000	2
7	Rear Knuckle ASSY,R	3MUX551420	1
8	Rear Drive Axle Assy, Left	3MU5710000	1
9	Wheel Cap	3MU5450600	2
10	Pin 4×32	9500340032002300	2
11	Slotted Nut M24×1.5	3MU5450400	2
12	Flatwasher, Hub	3MU5450200	2
13	Rear Drive Axle Assy, Right	3MU5720000	1

Bighorn 550 B/DX/DXH PARTS DIAGRAM

11.ENGINE FIXED



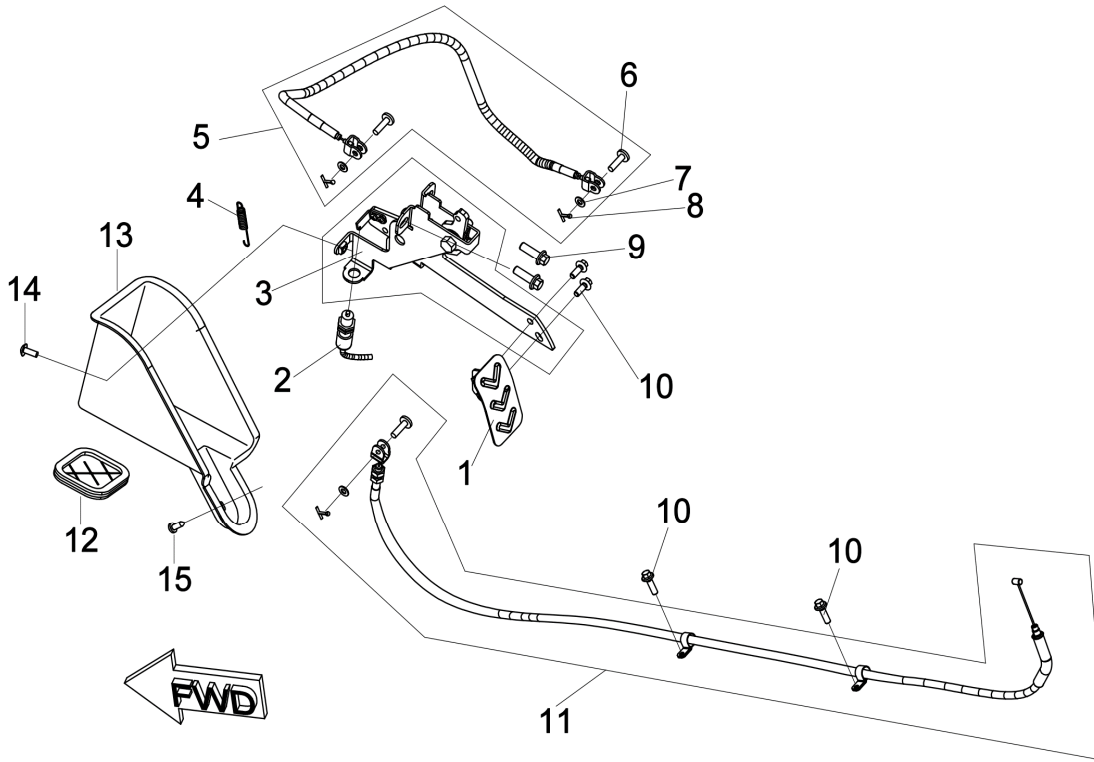
Bighorn 550 B/DX/DXH PARTS LIST

11.ENGINE FIXED

NO.	PART NAME	PART NO.	QUANTITY
1	Bolt M8×25 (GB/T 16674.1)	9184308025261300	8
2	Spring Washer 8 (GB/T 93)	9403108000000000	8
3	Washer 8 (GB/T 97.1)	9401308000031300	8
4	Nut M10×1.25 (GB/T 6187.2)	9330310015261300	4
5	Bolt M10×1.25×25 (GB/T 5789)	9186310025281300	4
6	Nut M12×1.25 (GB/T 6187.2)	9330312018261300	2
7	Engine buffer mounting bracket, Low	3MU5087000	4
8	Engine buffer rubber, Low	1MR1000100	4
9	Engine mounting plate Assy	3MU508A000	1
10	Engine mounting bracket, F	3MU5010100	1
11	Nut M12×1.25 (GB/T 6187.2)	9330312018261300	1
12	shift flexible shaft mounting plate, R	3MU5660600	1
13	Bolt M12×1.25×85	3MU5410600	1
14	Nut M8 (GB/T 6187.1)	9330308013241300	2
15	Engine buffer rubber	2MU5015000	1
16	Nut M10×1.25 (GB/T 6187.2)	9330310015261300	1
17	Lower engine mounting shaft (L=240)	1MR1000200	2
18	XY192MR Engine	1MR1000000	1

Bighorn 550 B/DX/DXH PARTS DIAGRAM

12.PARKING ASSY



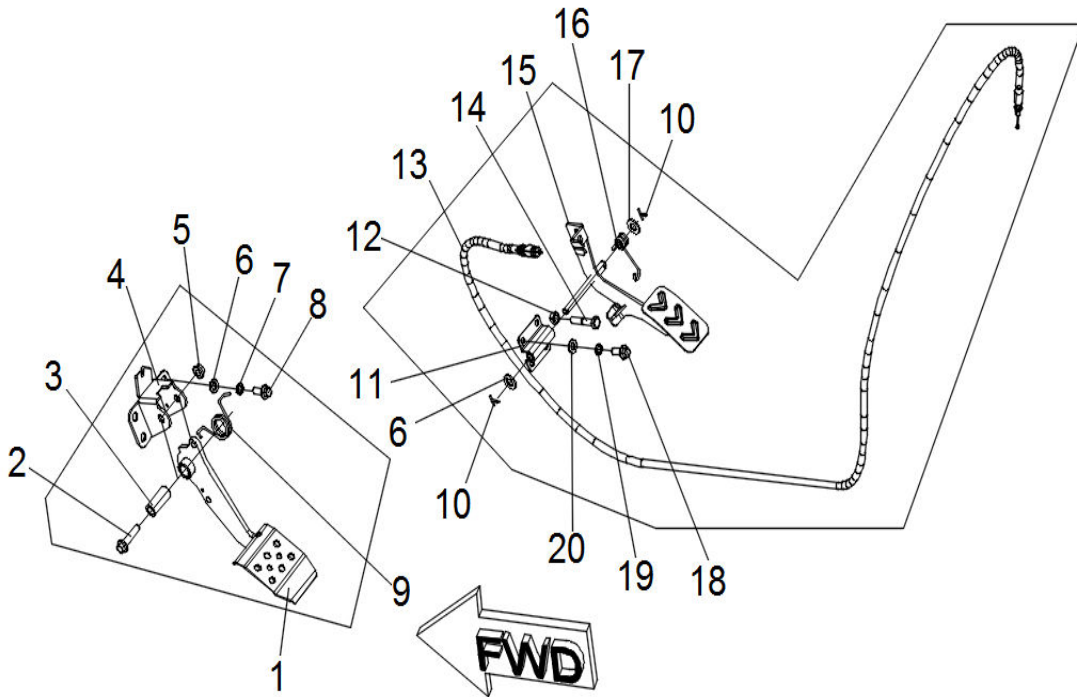
Bighorn 550 B/DX/DXH PARTS LIST

12.PARKING ASSY

NO.	PART NAME	PART NO.	QUANTITY
1	Parking pedal Assy	3MU5655000	1
2	Parking switch	3MU8057000	1
3	Foot parking Assy	3MU5650000	1
4	Parking switch spring	3MU5650200	1
5	Foot parking unlocking cable	3MU5672000	1
6	pin shaft	3MU5672100	2
7	Flat washer	3MU5672200	2
8	cotter pin	3MU5672300	2
9	Bolt M8×25 (GB/T 16674.1)	9184308025261300	2
10	Bolt M6×16 (GB/T 16674.1)	9184306016101300	4
11	Parking cable	3MU5654000	1
12	Parking mud guard rubber ring	3MU5657200	1
13	Parking mud guard	3MU5657100	1
14	Screw M6×16 (GB/T 973)	9276360160111300	1
15	Screw ST4.2×16 (GB/T 845)	9271342160006300	1

Bighorn 550 B/DX/DXH PARTS DIAGRAM

13. FOOT BRAKE, ACCELERATOR



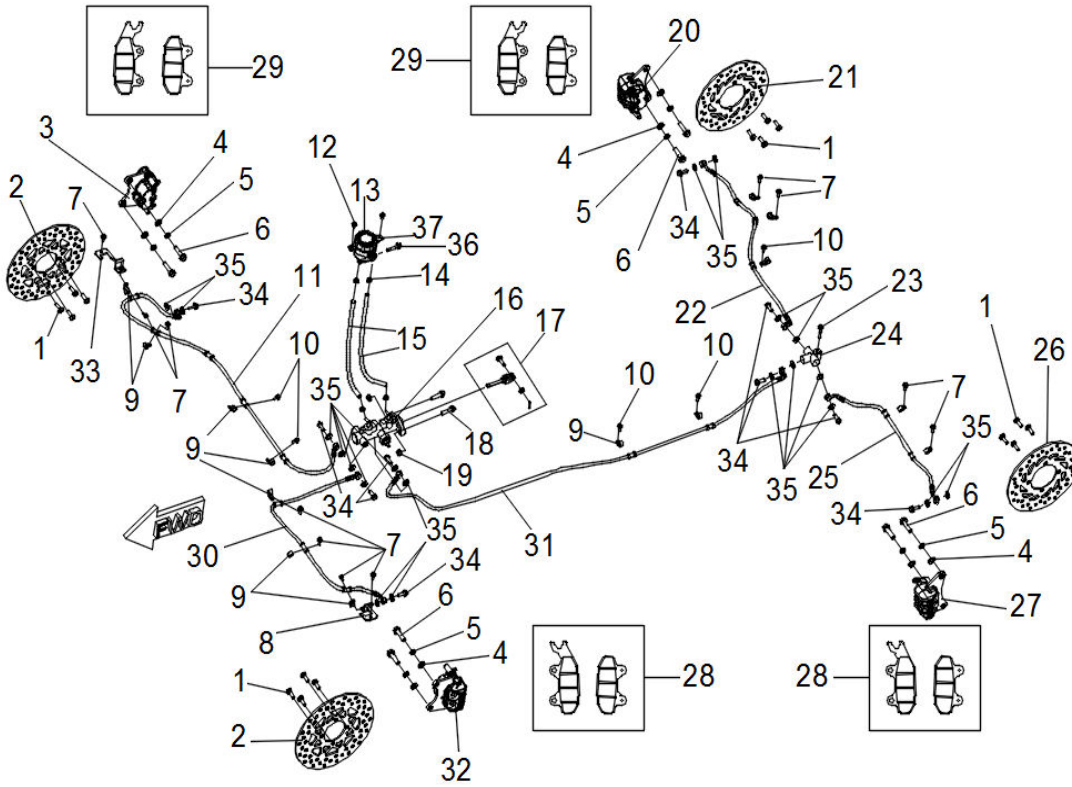
Bighorn 550 B/DX/DXH PARTS DIAGRAM

13. FOOT BRAKE、ACCELERATOR

NO.	PART NAME	PART NO.	QUANTITY
1	Brake pedal Assy	3MU5616000	1
2	Bolt M10×1.25×25 (GB/T 5789)	9186310055281300	1
3	Brake shaft sleeve II	3MU5610600	1
4	Brake pedal mounting plate	3MU5610500	1
5	Nut M10×1.25 (GB/T 6187.2)	9330310015261300	1
6	Spring Washer 8 (GB/T 93)	9401308000031300	5
7	Washer 8 (GB/T 97.1)	9403108000000000	4
8	Bolt M8×25 (GB/T 16674.1)	9184308025261300	4
9	Brake return spring	3MU5610400	1
10	Cotter pin 2.5 × 25	9500325025002300	2
11	Accelerator pedal fixing block	3MU5610700	1
12	Nut M8 (GB/T 6170)	9340308013261300	1
13	Accelerator cable	3MU5615000	1
14	Bolt M8×25 (GB/T 16674.1)	9184308025261300	1
15	Accelerator pedal Assy	3MU5614010	1
16	Accelerator pedal return spring	3MU5610300	1
17	Washer 10 (GB/T 97.1)	9401310000031300	1
18	Bolt M6×16 (GB/T 16674.1)	9184306016101300	4
19	Spring Washer 6 (GB/T 93)	9403306000002300	4
20	Washer 6 (GB/T 97.1)	9401306000031300	4

Bighorn 550 B/DX/DXH PARTS DIAGRAM

14. BRAKING ASSY



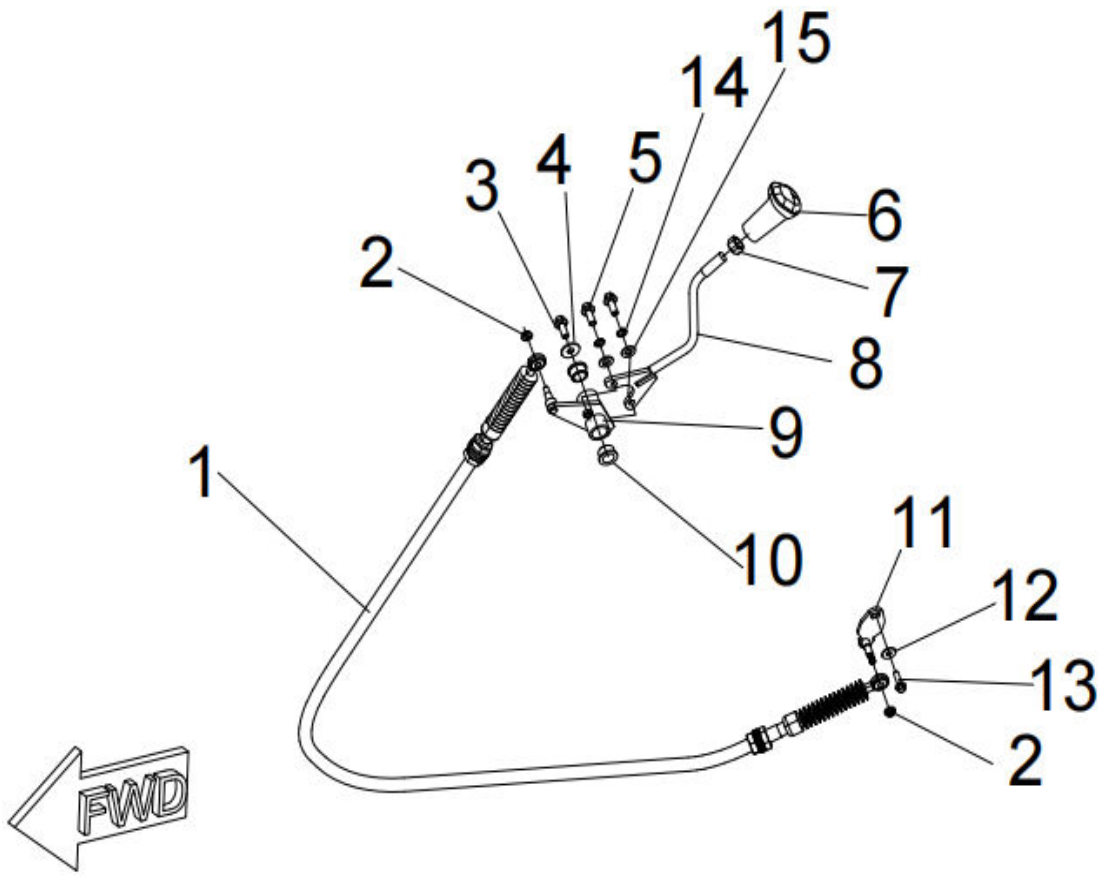
Bighorn 550 B/DX/DXH PARTS LIST

14. BRAKING ASSY

NO.	PART NAME	PART NO.	QUANTITY
1	Brake pad step bolt M8	3MU5631Q00	16
2	Brake disc, F	3MU5631R00	2
3	Brake caliper, FR	3MU5631600	1
4	Spring Washer 10 (GB/T 93)	9401310000031300	8
5	Washer 10 (GB/T 97.1)	9403110000000000	8
6	Bolt M10×1.25×28 (GB/T 5789)	9186310025281300	8
7	Bolt M6×12 (GB/T 16674.1)	9184306012161300	11
8	Tubing fixed bracket, L	3MU6041010	1
9	Pipe clamp 2	3MU5631F00	14
10	Bolt M6×16 (GB/T 16674.1)	9184306016101300	5
11	Brake hose, FR	3MU5631500	1
12	Bolt M6×16 (GB/T 16674.1)	9184306016101300	2
13	Brake fluid tank	3MU5631G00	1
14	clip (d= φ 11.5)	9673311500005300	4
15	Brake fluid tank hose	3MU5631H00	2
16	Brake main pump	3MU5631300	1
17	Brake ram Assy	3MU5631J00	1
18	Bolt M8×32 (GB/T 16674.1)	9184308032261300	2
19	Nut M8 (GB/T 6187.1)	9330308013241300	2
20	Brake caliper, RR	3MU5631D00	1
21	Brake hose, RR	3MU5631K00	1
22	Brake hose, RR	3MU5631A00	1
23	Bolt M6×35 (GB/T 16674.1)	9184306035166300	1
24	T piece	3MU5631900	1
25	Brake hose, RL	3MU5631L00	1
26	Brake disc, RL	3MU5631700	1
27	Brake caliper, RL	3MU5631N00	1
28	Brake shoe, L	3MU5631M00	2
29	Brake shoe, R	3MU5631200	2
30	Brake hose, FL	3MU5631400	1
31	Brake hose, R	3MU5631100	1
32	Brake caliper, FL	3MU6042010	1
33	Tubing fixed bracket, R	3MU5631S00	1
34	Over oil bolt	3MU5631T00	10
35	Sealing copper gasket	9.18431E+15	20
36	Bolt M6×30 (GB/T 16674.1)	3MUX5631G10	1
37	Oil storage tank installation clamp	3MU5631812	1

Bighorn 550 B/DX/DXH PARTS DIAGRAM

15. GEARSHIFT



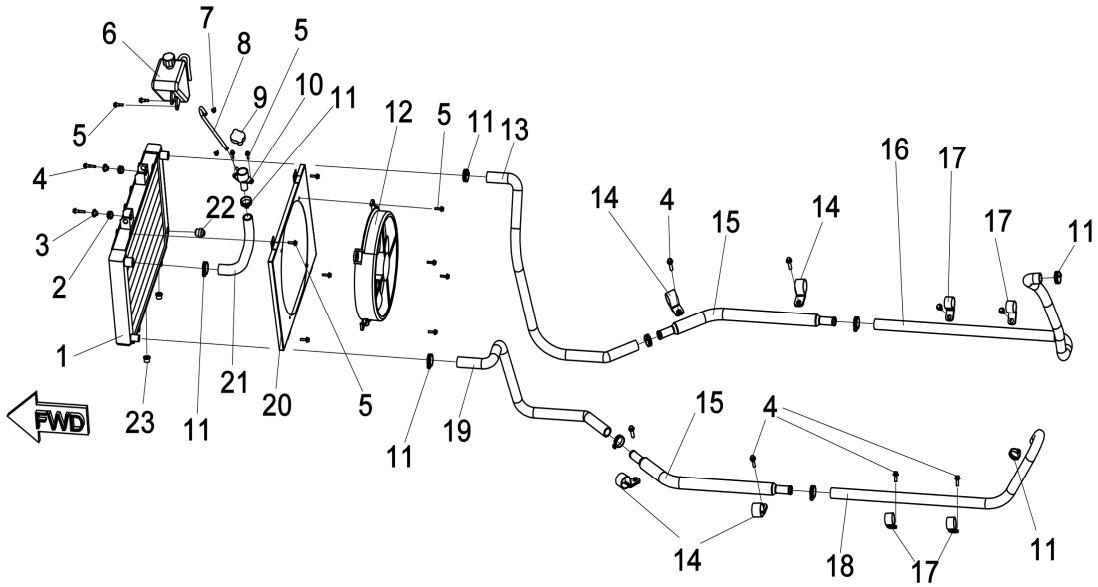
XY450U-A1 PARTS LIST

15. GEARSHIFT

NO.	PART NAME	PART NO.	QUANTITY
1	Shift flexible shaft	3MU5662000	1
2	Nut M6 (GB/T 6177.1)	9320306010202300	2
3	Bolt M8×16 (GB/T 5789)	9186308016266300	1
4	Washer 8 (GB/T 96.1)	9402308000031300	1
5	Bolt M8×22 (GB/T 16674.1)	9184308022281300	2
6	Shift handle ball joint	3MU5661200	1
7	Shift handle ball joint nut M12×1.75	3MU5661300	1
8	Shift handle	3MU5661100	1
9	Shift shaft sleeve Assy	3MU5663000	1
10	Shift mounting bushing	3MU5668800	2
11	Engine shift rocker arm	3MU5666000	1
12	Washer 6 (GB/T 97.1)	9401306000031300	4
12	Washer 6×20×2	1MR2358900	1
13	Bolt M6×20 (GB/T 16674.1)	9184306020362300	1
14	Spring Washer φ8	9403108000000000	2
15	Flat Washer φ8	9401308000031300	2

Bighorn 550 B/DX/DXH PARTS DIAGRAM

16. COOLING SYSTEM



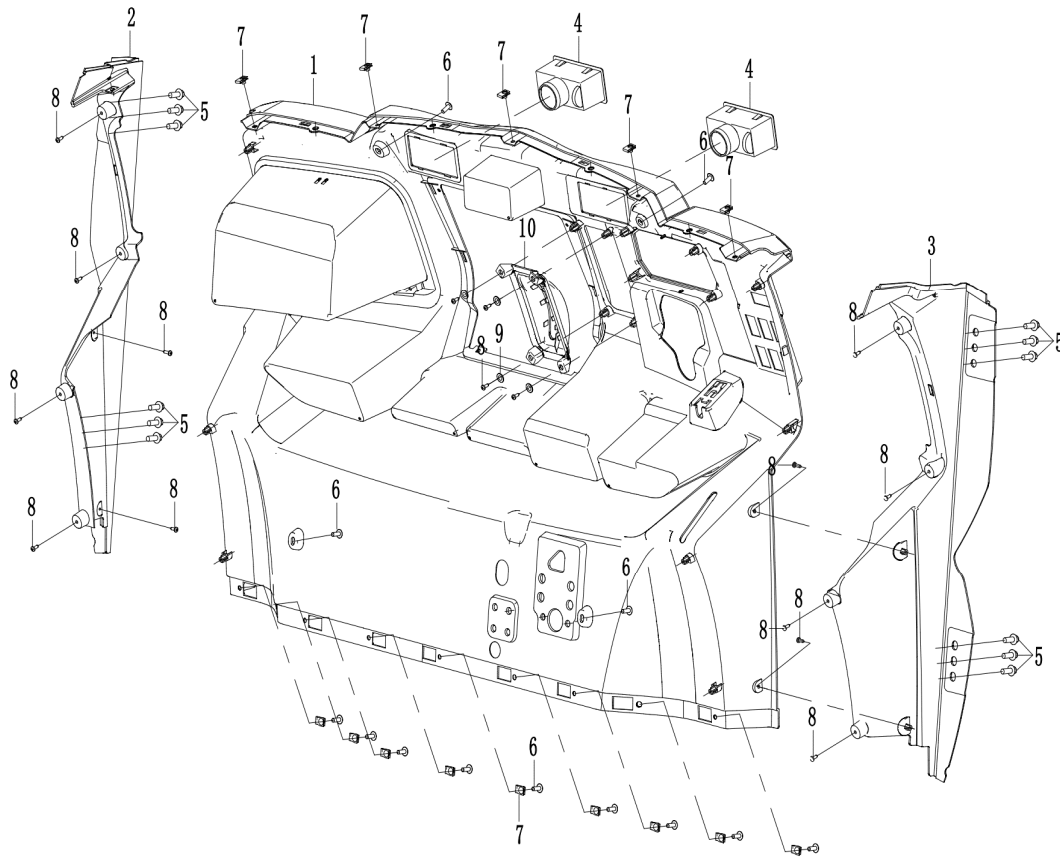
Bighorn 550 B/DX/DXH PARTS LIST

16. COOLING SYSTEM

NO.	PART NAME	PART NO.	QUANTITY
1	Cooling water tank Assy	3MU5042300	1
2	I-shaped rubber pad	3MU5042400	2
3	T-shaped bushing	3MU5042500	2
4	Bolt M6×25 (GB/T 16674.1)	9184306025102300	2
5	Bolt M6×16 (GB/T 16674.1)	9184306016101300	2
6	Coolant kettle	1MQ1249000	1
7	Clip(d=φ10)	9673310000005300	2
8	Return pipe	1MR1249100	1
9	Safety pressure valve	3MU5042600	1
10	Water inlet	3MU5042700	1
11	Clamp 19~29	1MR1249500	11
12	Cooling fan	1MR1248100	1
13	Water tank inlet pipe	3MU5041200	1
14	Clip (φ 35)	3MU5043100	4
15	Connecting pipe	1MR1247600	2
16	Engine water outlet pipe	3MU5041400	1
17	Clip (φ 30)	3MU5043200	4
18	Engine water inlet pipe	3MU5041300	1
19	Water tank outlet pipe	3MU5041100	1
20	Fan mounting plate	3MU5042200	1
21	Water tank filling pipe	3MU5041500	1
22	Temperature control switch	1MQ1248600	1
23	Water tank rubber cushion, under	2MU5040200	2

Bighorn 550 B/DX/DXH PARTS DIAGRAM

17. INSTRUMENT PANEL



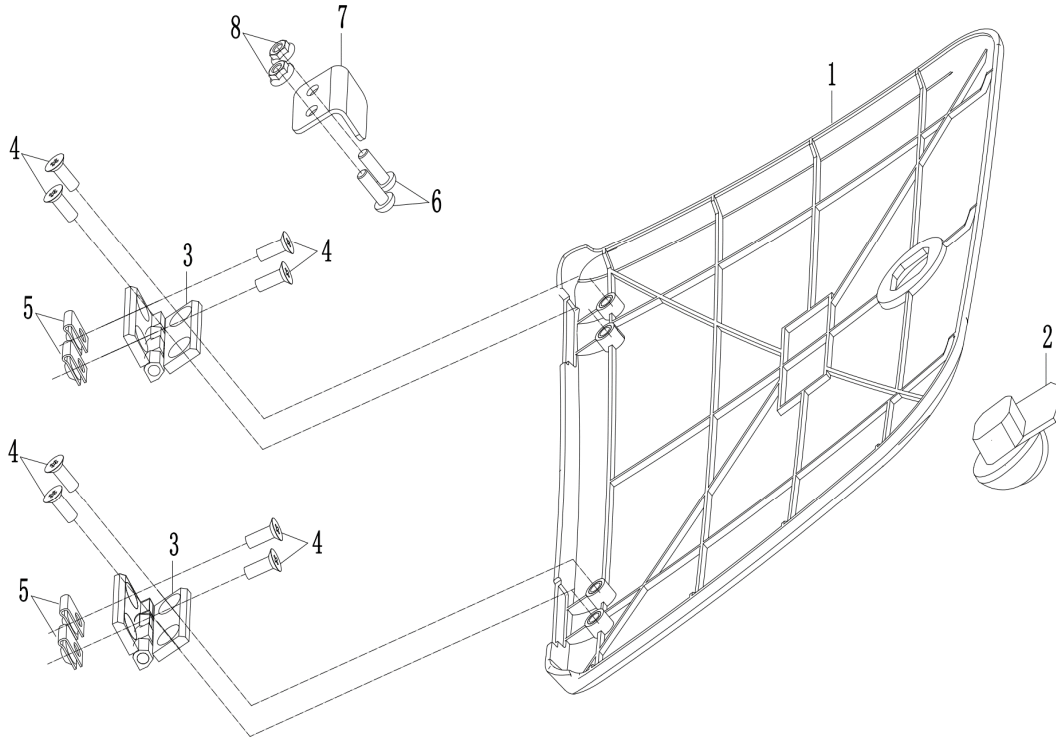
Bighorn 550 B/DX/DXH PARTS LIST

17. INSTRUMENT PANEL

NO.	PART NAME	PART NO.	QUANTITY
1	Instrument panel	3MU6014100	1
2	Front fender lining, R	3MU6018300	1
3	Front fender lining, L	3MU6017300	1
4	Ventilation grid	3MU6014800	2
5	Bolt M8×20 (GB/T 5789)	9186308020261300	12
6	Screw M6×16 (GB/T 973)	9276360160111300	13
7	Spring Nut M6 (QC/T 608) , small	9.31231E+15	14
8	Screw ST4.2×13 (GB/T 845)	9271342130006300	16
9	Washer 5 (GB/T 97.1)	9401305000031300	4
10	LED gear shift cover	3MU6014A10	1

Bighorn 550 B/DX/DXH PARTS DIAGRAM

18. RIGHT STORAGE COVER



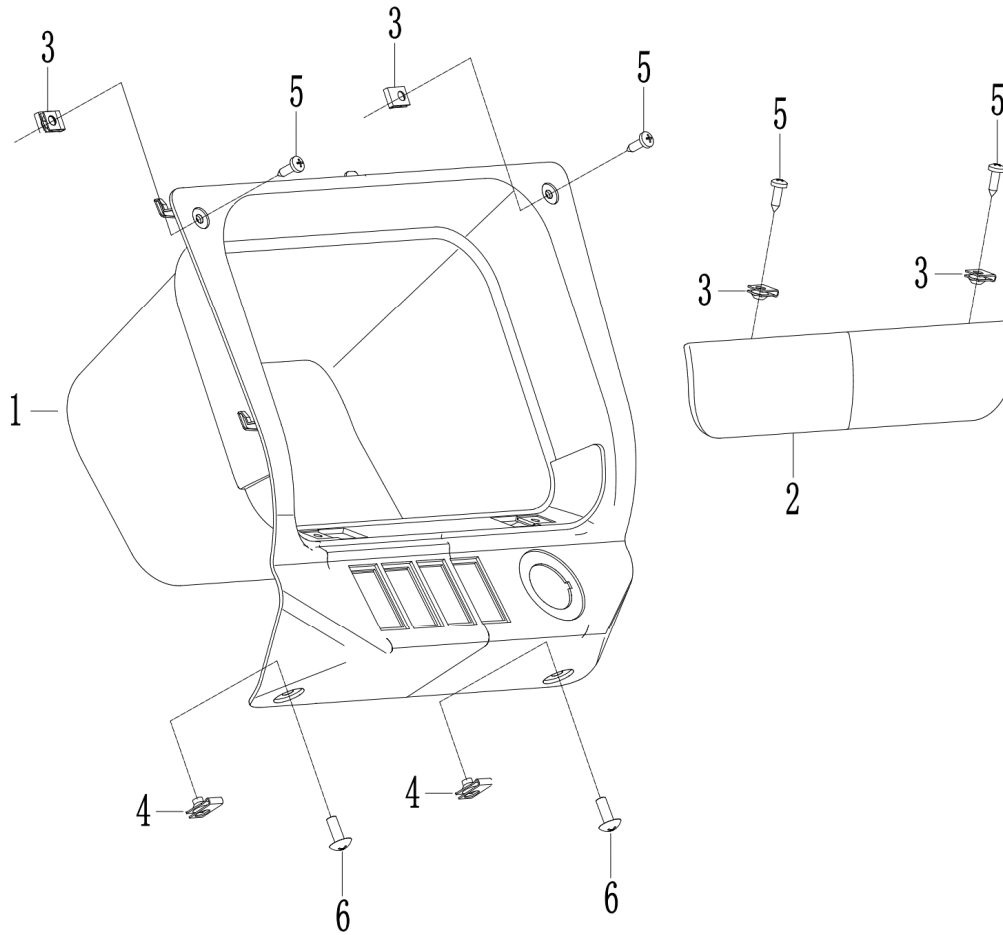
Bighorn 550 B/DX/DXH PARTS LIST

18. RIGHT STORAGE COVER

NO.	PART NAME	PART NO.	QUANTITY
1	Right storage box cover	3MU6014300	1
2	Storage box knob lock	3MU6019200	1
3	Right storage box hinge	3MU6019400	2
4	Screw M5×10 (GB/T 819.1)	9254350100101300	4
5	Spring Nut M5 (QC/T 608)	9312305000106300	4
6	Screw M5×16 (GB/T 818)	9214350160011300	2
7	Storage box lock plate	3MU6019100	1
8	Nut M5 (GB/T 6177.1)	9320305008202300	2

Bighorn 550 B/DX/DXH PARTS DIAGRAM

19. MEDIUM STORAGE BOX



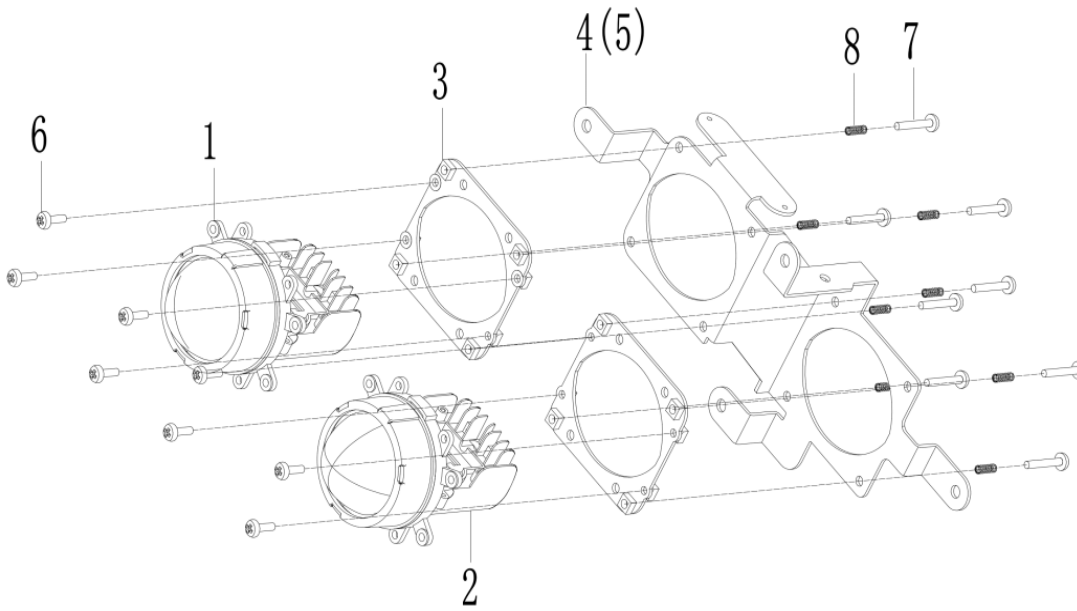
Bighorn 550 B/DX/DXH PARTS LIST

19. MEDIUM STORAGE BOX

NO.	PART NAME	PART NO.	QUANTITY
1	Storage box, middle	3MU6014400	1
2	storage box baffle, middle	3MU6014900	1
3	Spring Nut ST4.2 (QC/T 397A)	9397342000002300	4
4	Spring Nut M6 (QC/T 608) , small	9312306000106300	2
5	Screw ST4.8×16 (GB/T 845)	9271348160006300	4
6	Screw M6×16 (GB/T 973)	9276360160111300	2

Bighorn 550 B/DX/DXH PARTS DIAGRAM

20. HEADLIGHT



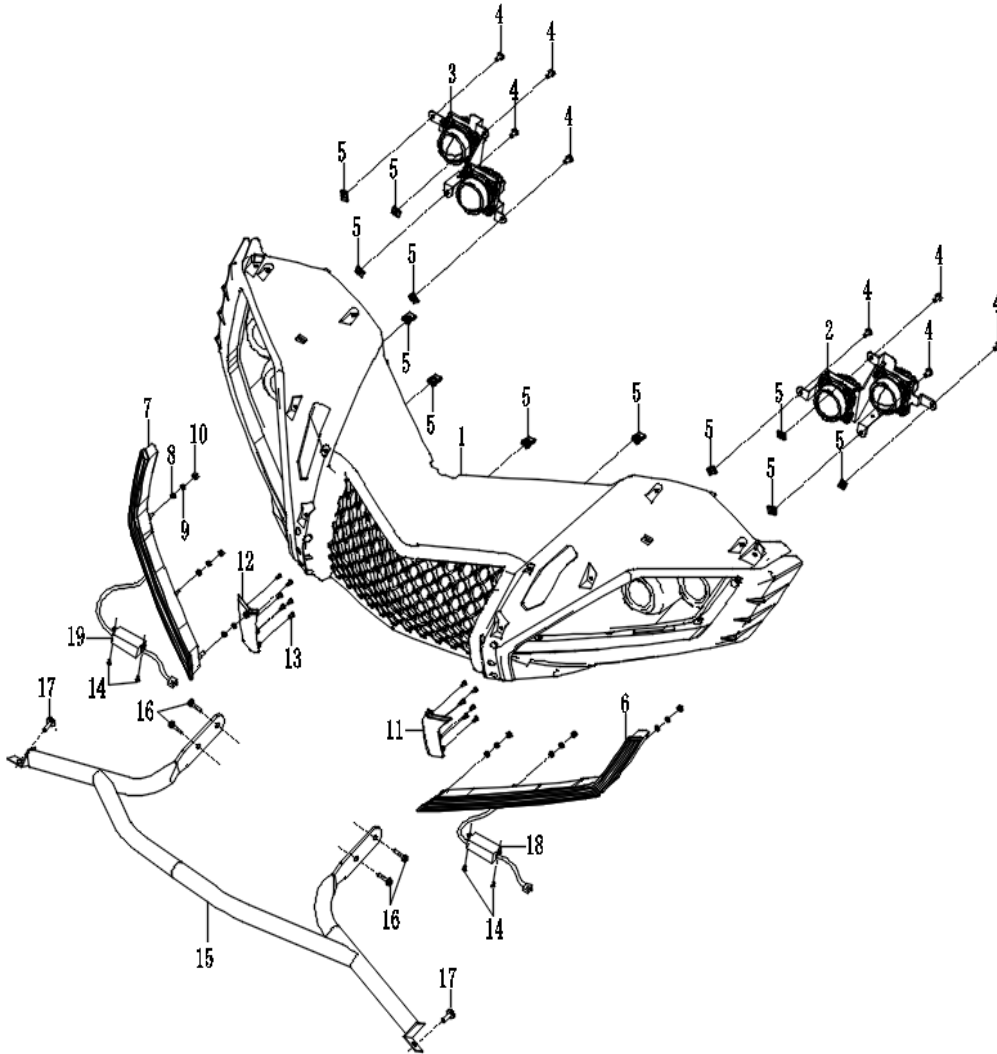
Bighorn 550 B/DX/DXH PARTS LIST

20. HEADLIGHT

NO.	PART NAME	PART NO.	QUANTITY
1	Headlamps (high beam)	3MU8013100	2
2	Headlamps (low beam)	3MU8013200	2
3	Headlight mounting base	3MU5079000	4
4	Headlight bracket, L	3MU5071000	1
5	Headlight bracket, R	3MU5072000	1
6	Screw M4×14 (GB/T 818)	9214340140005300	16
7	Screw M4×25 (GB/T 818)	9214340250001300	16
8	Headlamp adjusting spring	2MU8017300	16

Bighorn 550 B/DX/DXH PARTS DIAGRAM

21. FRONT PANEL



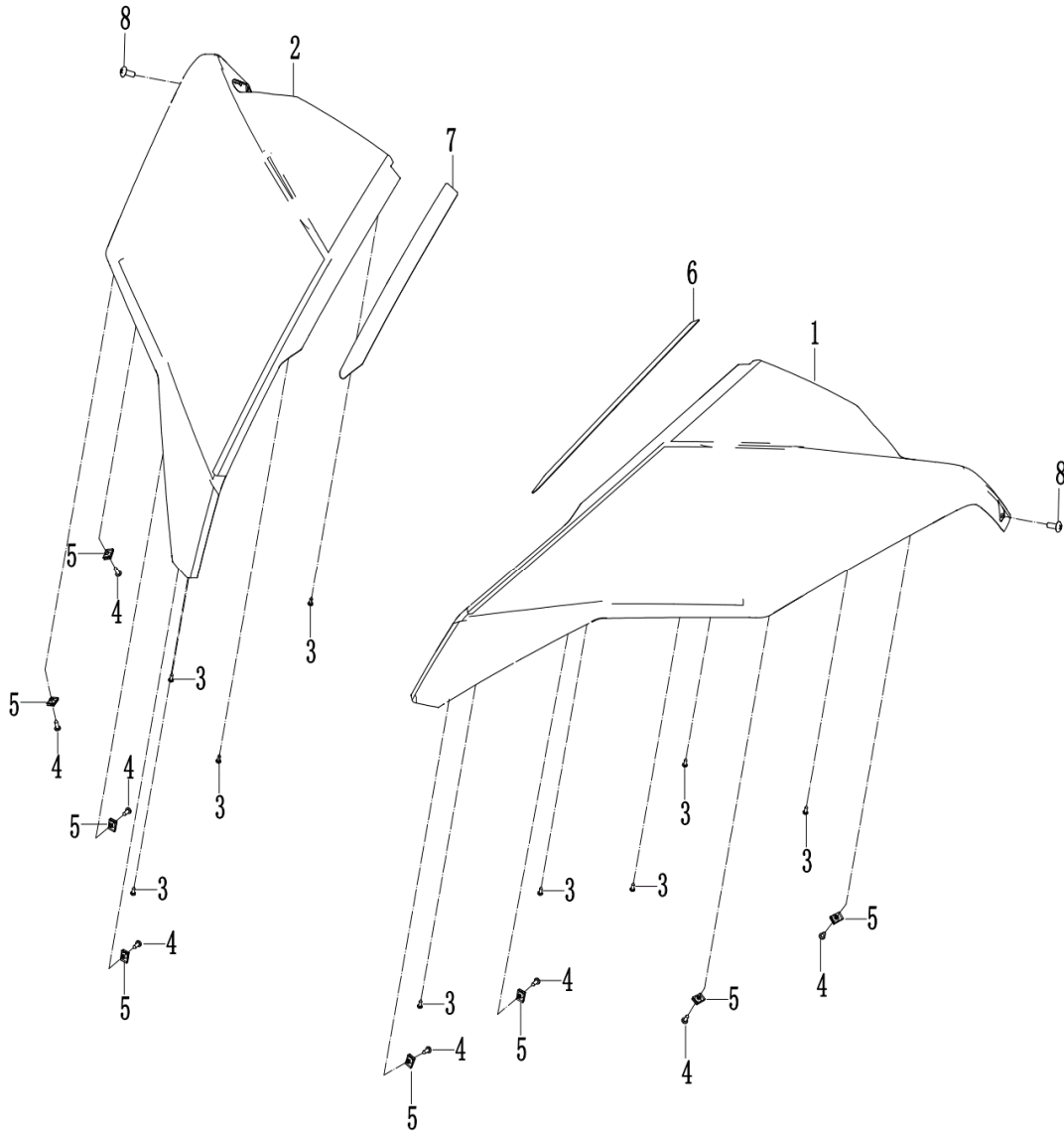
Bighorn 550 B/DX/DXH PARTS LIST

21. FRONT PANEL

NO.	PART NAME	PART NO.	QUANTITY
1	Grill, Front	3MU6013100	1
2	Headlamp parking Assy, L	3XMU801310	1
3	Headlamp parking Assy, R	3XMU801320	1
4	Screw M6×16 (GB/T 973)	9276360160111300	8
5	Spring Nut M6 (QC/T 608) , small	9.31231E+14	14
6	Turn signal lamp, FL	3MU8012000	1
7	Turn signal lamp, FR	3MU8011000	1
8	Washer 5 (GB/T 97.1)	9401305000031300	6
9	Spirng washer 5 (GB/T 97.1)	9403105000000000	6
10	Nut M5 (GB/T 6177.1)	9320305008202300	6
11-1	Front grill trim panel, L (American Red)	3MU60114041	1
11-2	Front grill trim panel, L (camouflage 3)	3MU60114085	1
11-3	Front grill trim panel, L (lucky green)	3MU60114065	1
11-4	Front grill trim panel, L (camouflage 2)	3MU60114083	1
11-5	Front grill trim panel, L (sapphire)	3MU60114072	1
11-6	Front grill trim panel, L (army green)	3MU60114063	1
11-7	Front grill trim panel, L (camouflage 4)	3MU60114086	1
12-1	Front grill trim panel, R (American Red)	3MU60115041	1
12-2	Front grill trim panel, R (camouflage 3)	3MU60115085	1
12-3	Front grill trim panel, R (lucky green)	3MU60115065	1
12-4	Front grill trim panel, R (camouflage 2)	3MU60115083	1
12-5	Front grill trim panel, R (sapphire)	3MU60115072	1
12-6	Front grill trim panel, R (army green)	3MU60115063	1
12-7	Front grill trim panel, R (camouflage 4)	3MU60115086	1
13	Screw ST4.2×13 (GB/T 845)	9271342130006300	12
14	Screw M3×8 (GB/T 818)	9214330080011300	4
15	Front grill support tube	3MU5098000	1
16	Bolt M8×20 (GB/T 5789)	9186308020261300	4
17	Screw M6×16 (GB/T 973)	9276360160111300	2
18	Front left turn signal control box	3MU8011100	1
19	Front right turn signal control box	3MU8012100	1

Bighorn 550 B/DX/DXH PARTS DIAGRAM

22. FRONT MASK DECORATIVE PANEL



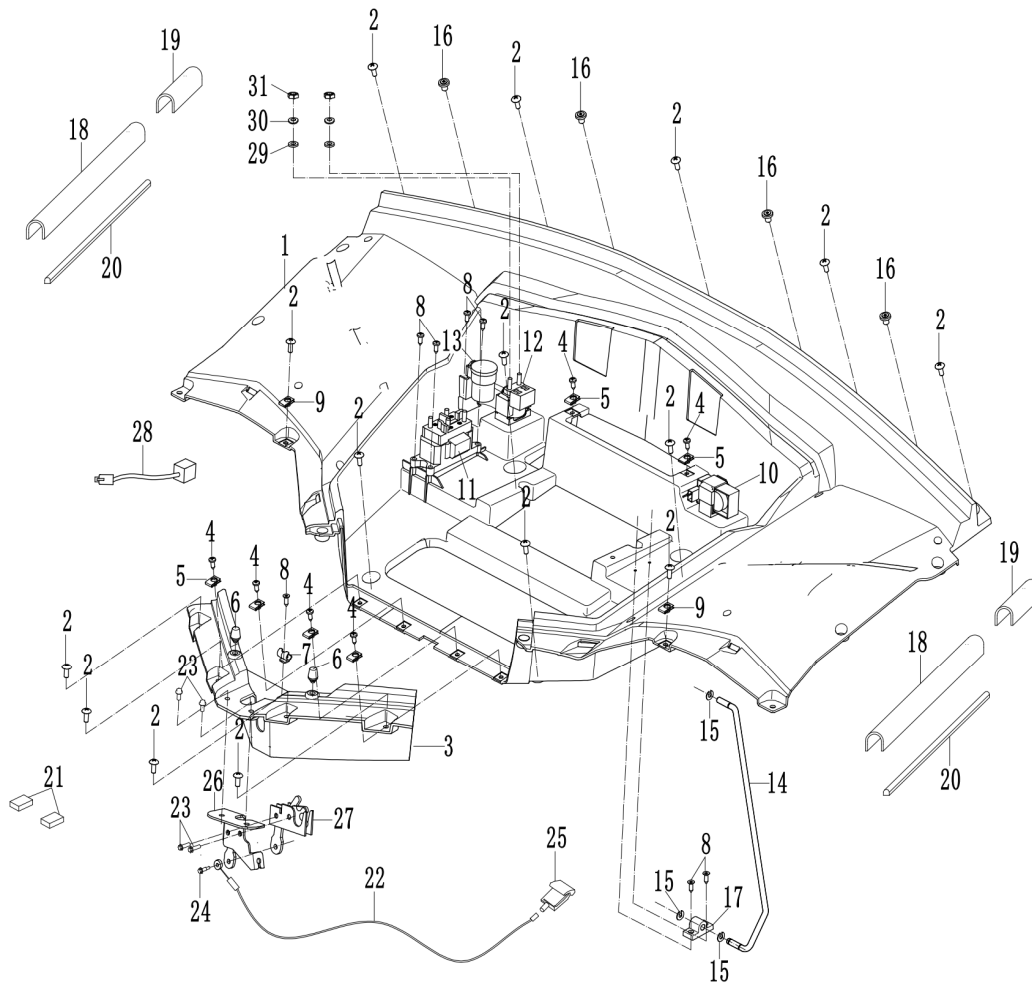
Bighorn 550 B/DX/DXH PARTS LIST

22. FRONT MASK DECORATIVE PANEL

NO.	PART NAME	PART NO.	QUANTITY
1-1	Removable hood trim panel, L (American Red)	3MU60116041	1
1-2	Removable hood trim panel, L (camouflage 3)	3MU60116085	1
1-3	Removable hood trim panel, L (lucky green)	3MU60116065	1
1-4	Removable hood trim panel, L (camouflage 2)	3MU60116083	1
1-5	Removable hood trim panel, L (sapphire)	3MU60116072	1
1-6	Removable hood trim panel, L (army green)	3MU60116063	1
1-7	Removable hood trim panel, L (camouflage 4)	3MU60116086	1
2-1	Removable hood trim panel, R (American Red)	3MU60117041	1
2-2	Removable hood trim panel, R (camouflage 3)	3MU60117085	1
2-3	Removable hood trim panel, R (lucky green)	3MU60117065	1
2-4	Removable hood trim panel, R (camouflage 2)	3MU60117083	1
2-5	Removable hood trim panel, R (sapphire)	3MU60117072	1
2-6	Removable hood trim panel, R (army green)	3MU60117063	1
2-7	Removable hood trim panel, R (camouflage 4)	3MU60117086	1
3	Screw ST4.2×13 (GB/T 845)	9271342130006300	10
4	Screw ST4.8×13 (GB/T 845)	9271348130006300	8
5	Spring Nut ST4.2 (Q397A)	9397342000002300	8
6	Removable hood trim panel protective film, L	3MU6121100	1
7	Removable hood trim panel protective film, R	3MU6121200	1
8	Screw M6×16 (GB/T 973)	9276360160111300	2

Bighorn 550 B/DX/DXH PARTS DIAGRAM

23. FRONT COVER



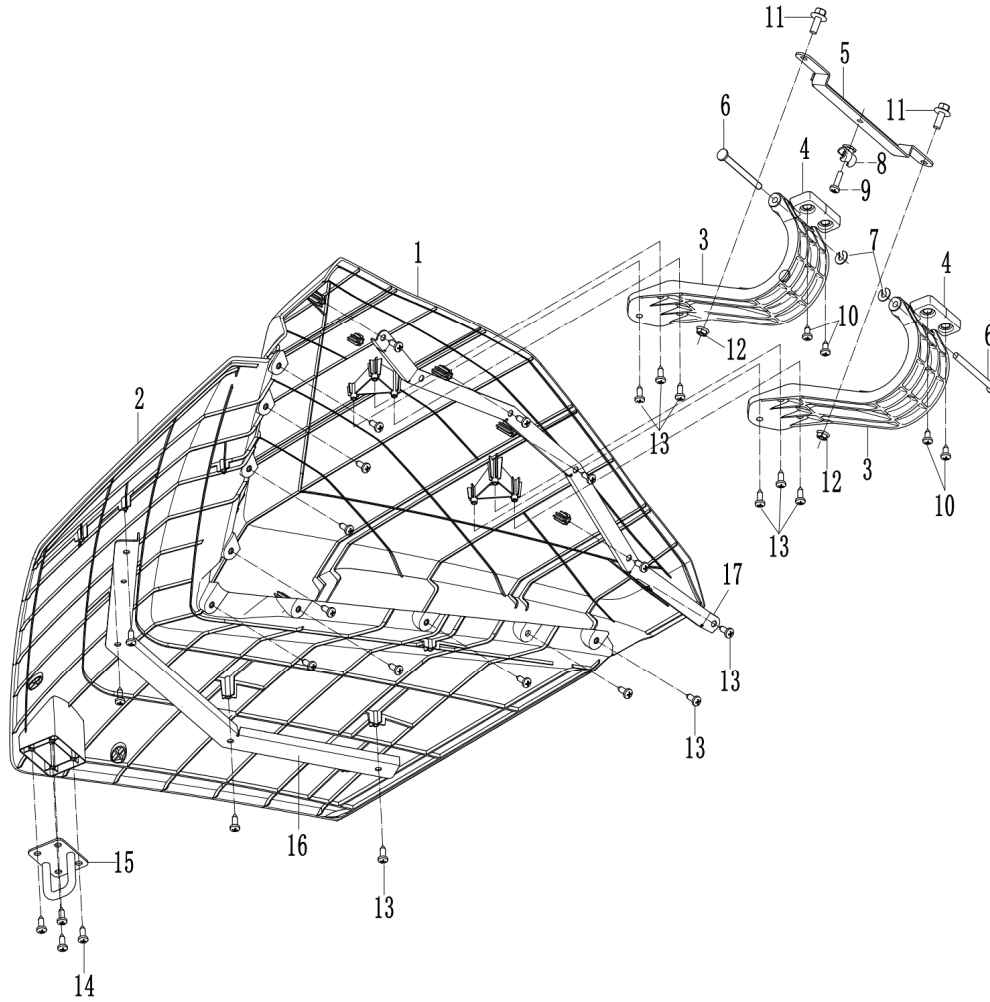
Bighorn 550 B/DX/DXH PARTS LIST

23. FRONT COVER

NO.	PART NAME	PART NO.	QUANTITY
1	Removable hood	3MU6011100	1
2	Screw M6×16 (GB/T 973)	9276360160111300	15
3	Removable hood splice plate	3MU6011800	1
4	Screw ST4.8×16 (GB/T 845)	9271348160006300	6
5	Spring Nut ST4.2 (Q397A)	9397342000002300	6
6	Rear cover rubber buffer	3MU5900200	2
7	Stay rod hoop	3MU6012400	1
8	Screw ST4.2×19 (GB/T 845)	9274342190001300	7
9	Spring Nut M6 (QC/T 608) , small	9.31231E+14	2
10	Reversing buzzer	1MU8091000	1
11	Winch relay	2MUX802020	1
12	Start relay	2MU8095010	1
13	Flash buzzer (LED)	1MU8020800	1
14	Removable hood cover stay rod	3MU6012500	1
15	Retaining ring 6 (GB/T 896)	9436106000000000	3
16	Plastic expansion screw	3MU6015200	4
17	Stay rod base	3MU6012300	1
18	U-shaped rubber strip (Z-10 240mm)	3MUX612131	2
19	U-shaped rubber strip (Z-10 70mm)	3MUX612132	2
20	Sealing strip (230mm)	3MUX612140	2
21	Sponge damping pad	1MUX618010	2
22	Removable hood cover unlocking cable	3MU5645000	1
23	Bolt M6×16 (GB/T 5789)	9186306016166300	4
24	Removable hood lock step bolt	3MU5646000	1
25	Removable hood lock switch	3MU5647000	1
26	Removable hood lock bracket	3MU6019600	1
27	Removable hood lock	3MU6019500	1
28	Starting relay adapter wire	2MU8073000	1
29	Washer 6 (GB/T 97.1)	9401306000031300	2
30	Wave washer 6 (GB/T 955)	2MU8095110	2
31	Nut M6 (GB/T 6170)	9340306010242300	2

Bighorn 550 B/DX/DXH PARTS DIAGRAM

24. FRONT MASK COVER PLATE



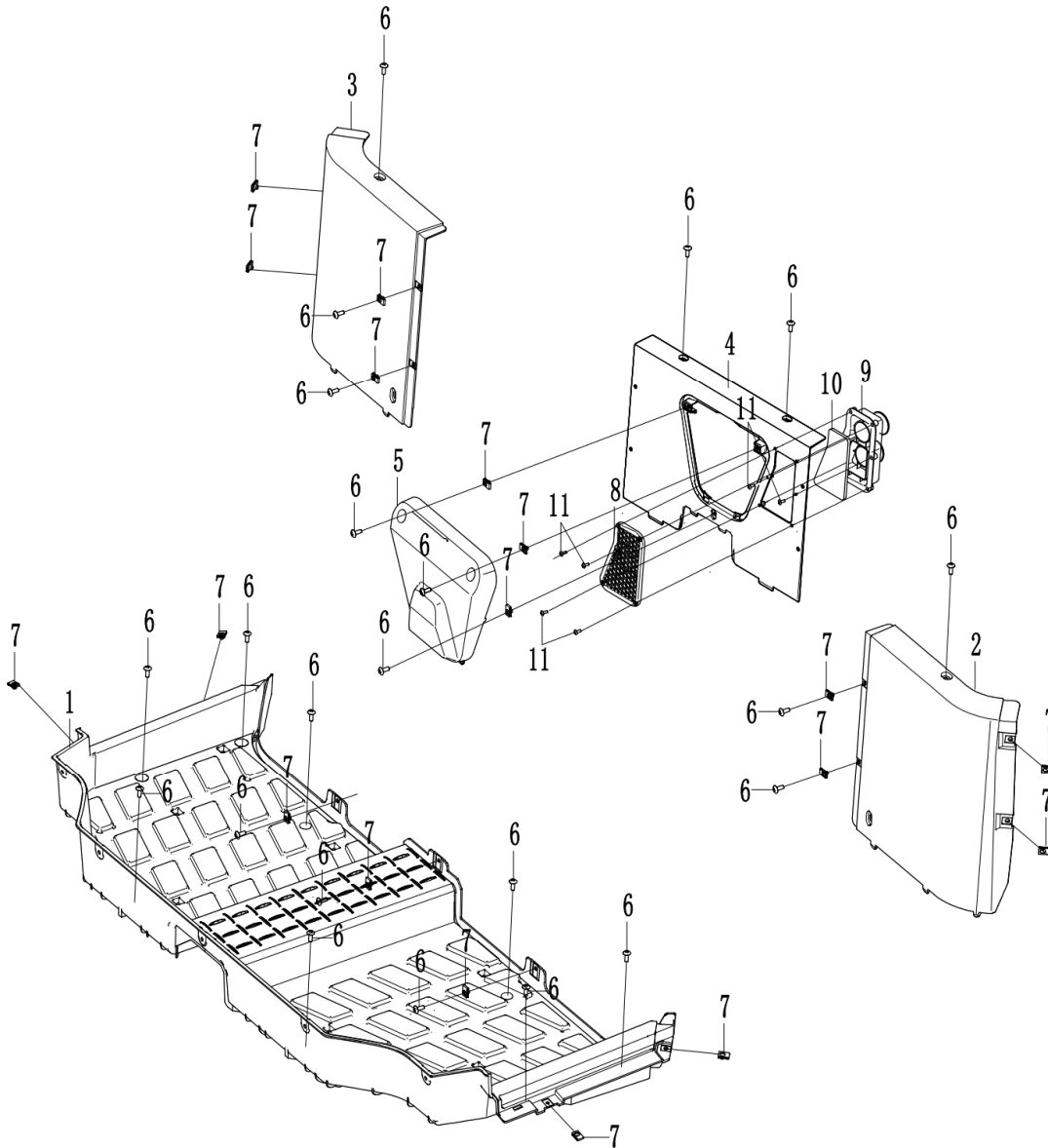
Bighorn 550 B/DX/DXH PARTS LIST

24. FRONT MASK COVER PLATE

NO.	PART NAME	PART NO.	QUANTITY
1	Removable hood cover	3MU6011200	1
2-1	Removable hood cover trim panel, (American R€	3MU60113041	1
2-2	Removable hood cover trim panel, (camouflage	3MU60113085	1
2-3	Removable hood cover trim panel, (lucky green)	3MU60113065	1
2-4	Removable hood cover trim panel, (camouflage	3MU60113083	1
2-5	Removable hood cover trim panel, (sapphire)	3MU60113072	1
2-6	Removable hood cover trim panel, (army green)	3MU60113063	1
2-7	Removable hood cover trim panel, (camouflage	3MU60113086	1
3	Removable hood cover hinge	3MU6012110	2
4	Removable hood cover hinge base	3MU6012210	2
5	Hinge support connecting plate	3MU6012700	1
6	Hinge pin	3MU6012600	2
7	Retaining ring 5 (GB/T 896)	9436105000000000	2
8	Stay rod hoop (Metal)	3MU6012A00	1
9	Screw M4×14 (GB/T 818)	9214340140005300	1
10	Screw ST4.8×13 (GB/T 845)	9271348130006300	4
11	Bolt M6×16 (GB/T 5789)	9186306016166300	4
12	Nut M6 (GB/T 6187.1)	9330306010141300	2
13	Screw ST4.2×13 (GB/T 845)	9271342130006300	18
14	Screw ST4.2×19 (GB/T 845)	9274342190001300	4
15	Front grill lock latch	3MU5073000	1
16	Removable hood cover support plate 1	3MU6012800	1
17	Removable hood cover support plate 2	3MU6012900	1
18	Screw ST4.2×16 (GB/T 845)	9271342160002300	6

Bighorn 550 B/DX/DXH PARTS DIAGRAM

25.BUCKET SEAT PANEL



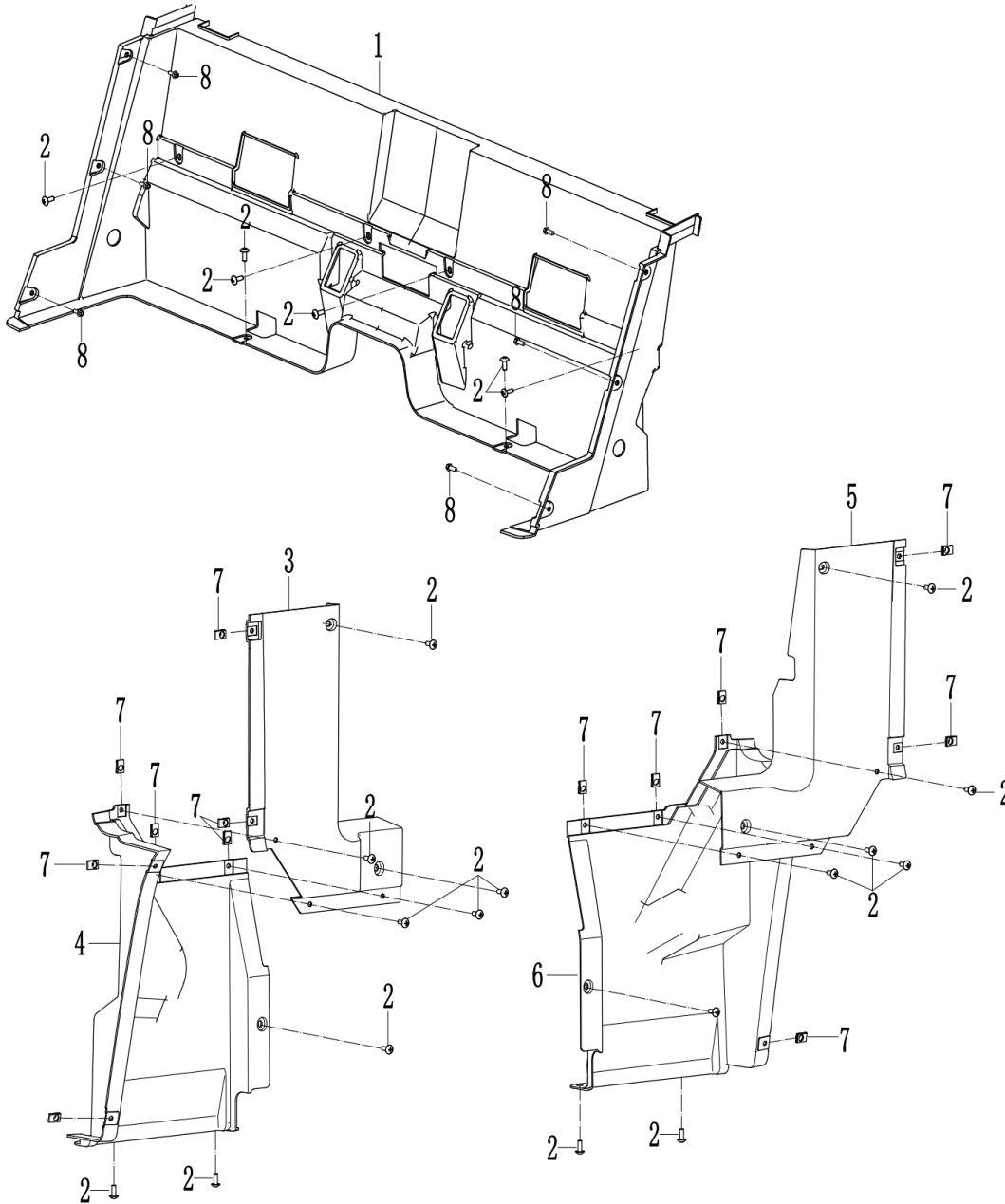
Bighorn 550 B/DX/DXH PARTS LIST

25.BUCKET SEAT PANEL

NO.	PART NAME	PART NO.	QUANTITY
1	Floor	3MU6015100	1
2	Seat coaming, L	3MU6024100	1
3	Seat coaming, R	3MU6025100	1
4	Seat coaming, F	3MU6023100	1
5	Air filter maintenance plate	3MU6023200	1
6	Screw M6×16 (GB/T 973)	9276360160111300	22
7	Spring Nut M6 (QC/T 608), small	9.31231E+14	18
8	CVT air intake grille	3MU6023300	1
9	CVT air intake grille back cover	3MU6023400	1
10	Pre filtration sponge	1MR1441B00	1
11	Screw M4×12 (GB/T 818)	9214340120001300	6

Bighorn 550 B/DX/DXH PARTS DIAGRAM

26-1. SEAT CUSHION BACK PANEL



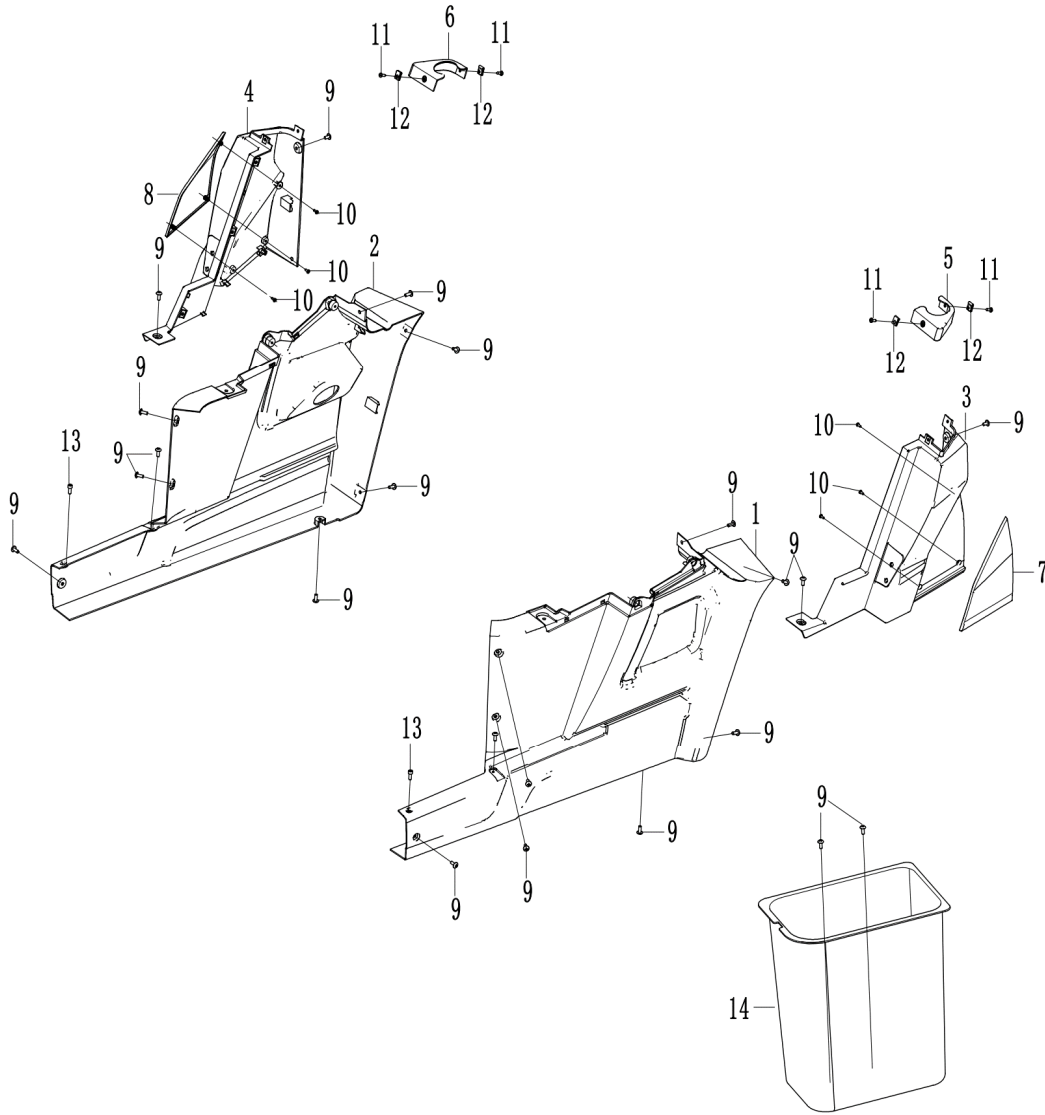
Bighorn 550 B/DX/DXH PARTS LIST

26-1. SEAT CUSHION BACK PANEL

NO.	PART NAME	PART NO.	QUANTITY
1	Seat rear fender	3MU6031100	1
2	Screw M6×16 (GB/T 973)	9276360160111300	22
3	Seat rear fender, Up, L	3MU6032200	1
4	Seat rear fender, Low, L	3MU6032100	1
5	Seat rear fender, Up, R	3MU6033200	1
6	Seat rear fender, Low, R	3MU6033100	1
7	Spring Nut M6 (QC/T 608), small	9.31231E+14	14
8	Bolt M6×12 (GB/T 16674.1)	9184306012161300	6

Bighorn 550 B/DX/DXH PARTS DIAGRAM

26-2. GUSSET



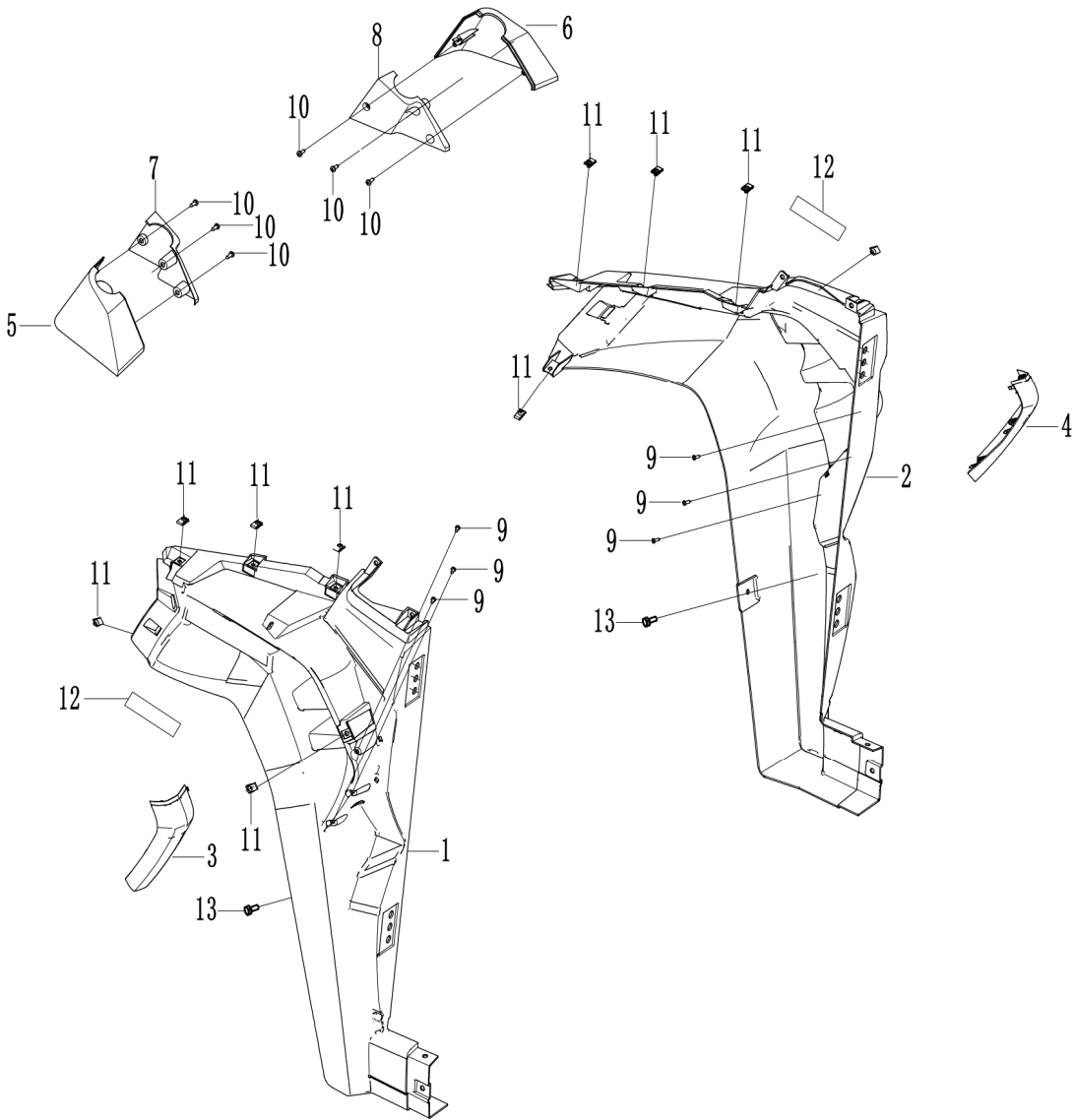
Bighorn 550 B/DX/DXH PARTS LIST

26-2. GUSSET

NO.	PART NAME	PART NO.	QUANTITY
1	Side panel, L	3MU6024200	1
2	Side panel, R	3MU6025200	1
3	Side panel, up, L	3MU6024300	1
4	Side panel, up, R	3MU6025300	1
5	ROP sheath, RL	3MU6024500	1
6	ROP sheath, RR	3MU6025500	1
7-1	Rear fender trim panel, L (American Red)	3MU60244041	1
7-2	Rear fender trim panel, L (camouflage 3)	3MU60244085	1
7-3	Rear fender trim panel, L (lucky green)	3MU60244065	1
7-4	Rear fender trim panel, L (camouflage 2)	3MU60244083	1
7-5	Rear fender trim panel, L (sapphire)	3MU60244072	1
7-6	Rear fender trim panel, L (army green)	3MU60244063	1
7-7	Rear fender trim panel, L (camouflage 4)	3MU60244086	1
8-1	Rear fender trim panel, R (American Red)	3MU60254041	1
8-2	Rear fender trim panel, R (camouflage 3)	3MU60254085	1
8-3	Rear fender trim panel, R (lucky green)	3MU60254065	1
8-4	Rear fender trim panel, R (camouflage 2)	3MU60254083	1
8-5	Rear fender trim panel, R (sapphire)	3MU60254072	1
8-6	Rear fender trim panel, R (army green)	3MU60254063	1
8-7	Rear fender trim panel, R (camouflage 4)	3MU60254086	1
9	Screw M6×16 (GB/T 973)	9276360160111300	18
10	Screw ST4.2×13 (GB/T 845)	9271342130006300	6
11	Screw ST4.8×13 (GB/T 845)	9271348130006300	4
12	Spring Nut ST4.2 (Q397A)	9397342000002300	4
13	Bolt M6×12 (GB/T 16674.1)	9184306012161300	2
14	Storage box	3MU6022100	1

Bighorn 550 B/DX/DXH PARTS DIAGRAM

27. FRONT MUDGUARD



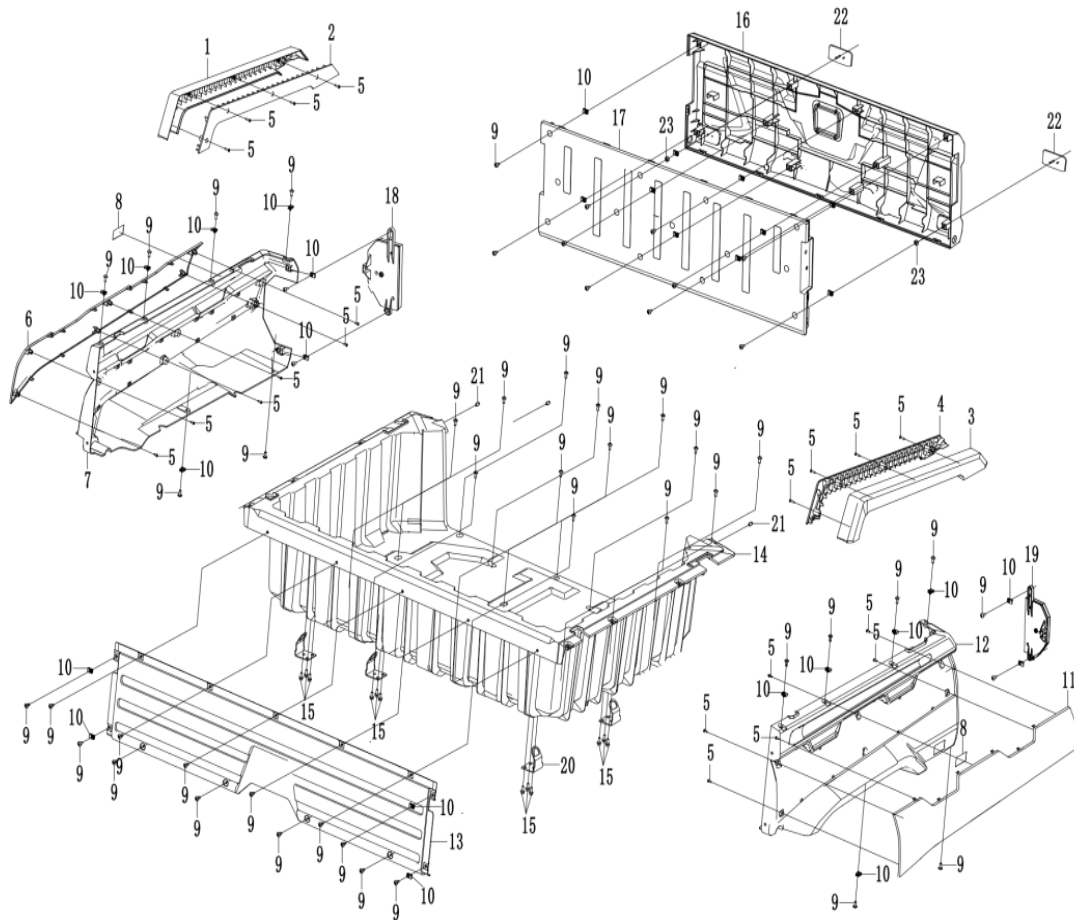
Bighorn 550 B/DX/DXH PARTS LIST

27. FRONT MUDGUARD

NO.	PART NAME	PART NO.	QUANTITY
1	Front fender, L	3MU6017100	1
2	Front fender, R	3MU6018100	1
3-1	Front fender trim panel, L (American Red)	3MU60172041	1
3-2	Front fender trim panel, L (camouflage 3)	3MU60172085	1
3-3	Front fender trim panel, L (lucky green)	3MU60172065	1
3-4	Front fender trim panel, L (camouflage 2)	3MU60172083	1
3-5	Front fender trim panel, L (sapphire)	3MU60172072	1
3-6	Front fender trim panel, L (army green)	3MU60172063	1
3-7	Front fender trim panel, L (camouflage 4)	3MU60172083	1
4-1	Front fender trim panel, R (American Red)	3MU60182041	1
4-2	Front fender trim panel, R (camouflage 3)	3MU60182085	1
4-3	Front fender trim panel, R (lucky green)	3MU60182065	1
4-4	Front fender trim panel, R (camouflage 2)	3MU60182083	1
4-5	Front fender trim panel, R (sapphire)	3MU60182072	1
4-6	Front fender trim panel, R (army green)	3MU60182063	1
4-7	Front fender trim panel, R (camouflage 4)	3MU60182086	1
5	Front ROP sheath, L, outside	3MU6017400	1
6	Front ROP sheath, R, outside	3MU6018400	1
7	Front ROP sheath, L, inside	3MU6017500	1
8	Front ROP sheath, R, inside	3MU6018500	1
9	Screw ST4.2×13 (GB/T 845)	9271342130006300	6
10	Screw ST4.8×16 (GB/T 845)	9271348160006300	6
11	Spring Nut M6 (QC/T 608), small	931230600010130	10
12	Reflective film (orange)	3MU6121500	2
13	Bolt M6×12 (GB/T 16674.1)	9184306012161300	2

Bighorn 550 B/DX/DXH PARTS DIAGRAM

28. PLASTIC PARTS FOR CARGO BOXES



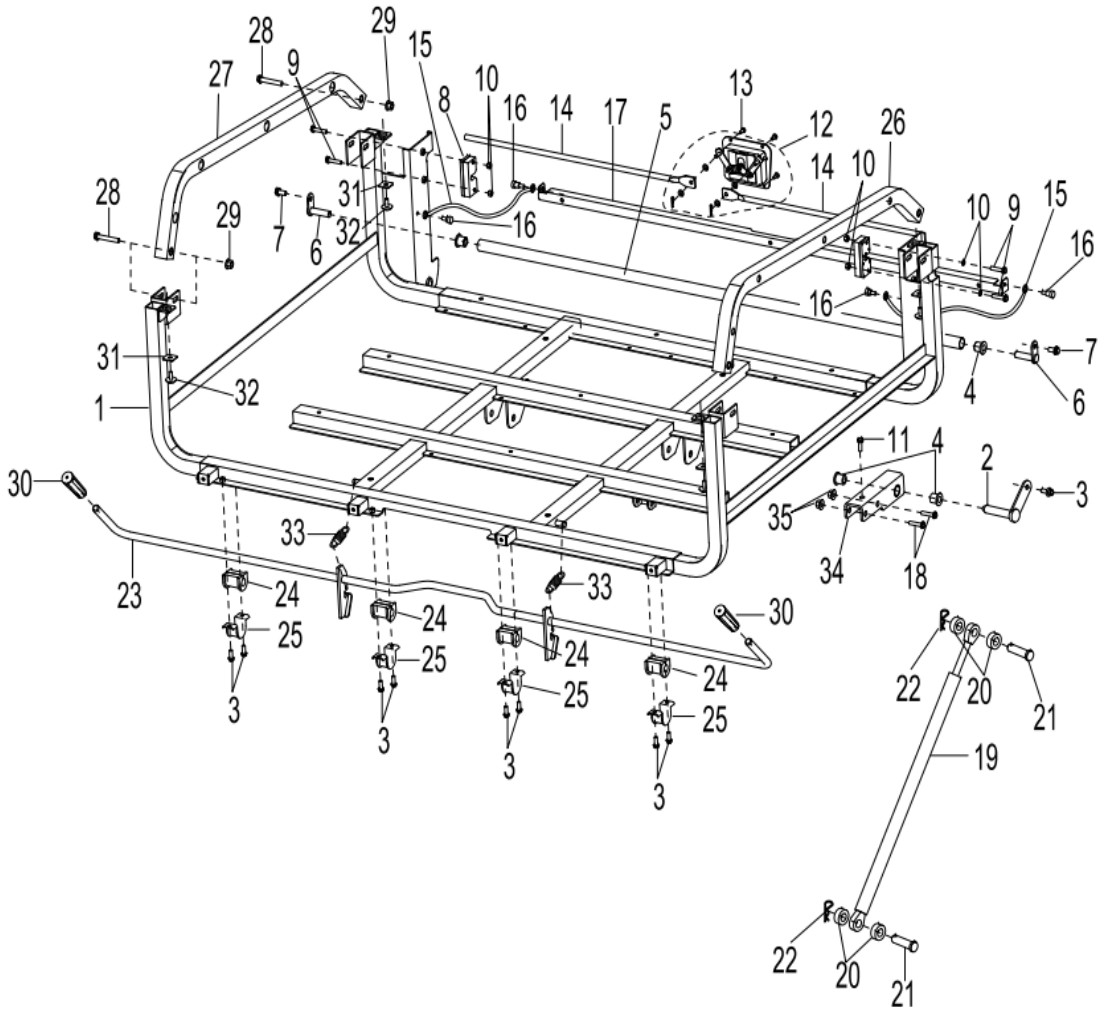
Bighorn 550 B/DX/DXH PARTS LIST

28. PLASTIC PARTS FOR CARGO BOXES

NO.	PART NAME	PART NO.	QUANTITY
1	Cargo box handrail, R, outside	3MU5932200	1
2	Cargo box handrail, R, inside	3MU5932300	1
3	Cargo box handrail, L, outside	3MU5932100	1
4	Cargo box handrail, L, inside	3MU5932400	1
5	Screw ST4.2×13 (GB/T 845)	9271342160002300	20
6-1	Cargo box trim panel, R (American Red)	3MU59314041	1
6-2	Cargo box trim panel, R (camouflage 3)	3MU59314085	1
6-3	Cargo box trim panel, R (lucky green)	3MU59314065	1
6-4	Cargo box trim panel, R (camouflage 2)	3MU59314083	1
6-5	Cargo box trim panel, R (sapphire)	3MU59314072	1
6-6	Cargo box trim panel, R (army green)	3MU59314063	1
6-7	Cargo box trim panel, R (camouflage 4)	3MU59314086	1
7	Cargo box side plate, R	3MU5931200	1
8	Reflective film (orange)	3MU6121500	2
9	Screw M6×16 (GB/T 973)	9276360160111300	52
10	Spring Nut M6 (QC/T 608), small	9.31231E+14	37
11-1	Cargo box trim panel, L (American Red)	3MU59313041	1
11-2	Cargo box trim panel, L (camouflage 3)	3MU59313085	1
11-3	Cargo box trim panel, L (lucky green)	3MU59313065	1
11-4	Cargo box trim panel, L (camouflage 2)	3MU59313083	1
11-5	Cargo box trim panel, L (sapphire)	3MU59313072	1
11-6	Cargo box trim panel, L (army green)	3MU59313063	1
11-7	Cargo box trim panel, L (camouflage 4)	3MU59313086	1
12	Cargo box side plate, L	3MU5931100	1
13	Cargo box front cover plate	3MU5931800	1
14	Cargo box body	3MU5931700	1
15	Bolt M6×16 (GB/T 5789)	9186306016166300	12
16	Cargo box rear cover plate, outside	3MU5931500	1
17	Cargo box rear cover plate, inside	3MU5931600	1
18	Rear lamp, R	3MU8015000	1
19	Rear lamp, L	3MU8014000	1
20	Cargo box hook	3MU5917000	4
21	Rear cover rubber buffer	3MU5900200	2
22	Reflector (red)	3MU5941000	2
23	Nut M5 (GB/T 6177.1)	9320305008202300	2

Bighorn 550 B/DX/DXH PARTS DIAGRAM

29. CARGO BOX UNDERFRAME



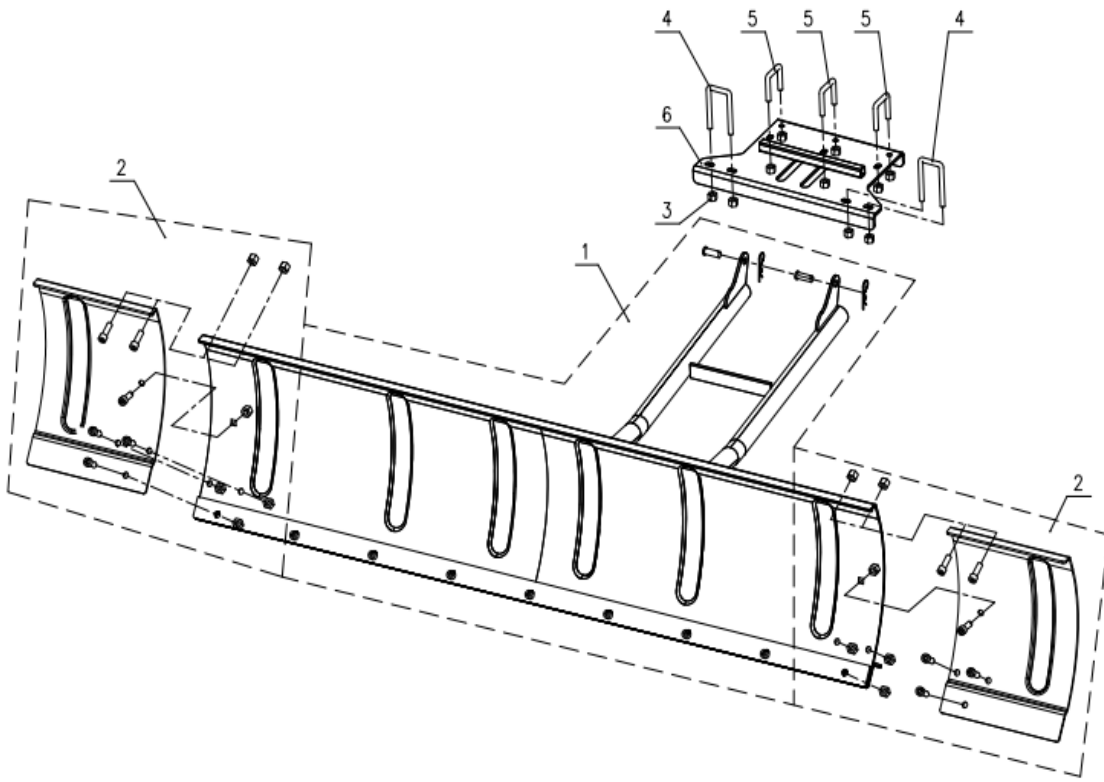
Bighorn 550 B/DX/DXH PARTS LIST

29. CARGO BOX UNDERFRAME

NO.	PART NAME	PART NO.	QUANTITY
1	Cargo box underframe Assy	3MU5901000	1
2	Cargo box latch Assy	3MU5918010	2
3	Bolt M6×16 (GB/T 5789)	9186306016166300	10
4	Plastic bushing	2MU5903700	6
5	Cargo box shaft	3MU5904000	1
6	Cargo box shaft pin	3MU5905000	2
7	Bolt M8×16 (GB/T 5789)	9186308016266300	2
8	Cargo box rear cover side lock	3MU5906000	2
9	Bolt M6×30 (GB/T 5789)	9186306030166300	4
10	Nut M6 (GB/T 6170)	9340306010242300	4
11	Cargo box lock wrench	3MU5907000	1
12	Screw ST4.8×16 (GB/T 845)	9271348160006300	4
13	Cargo box lock connecting rod	3MU5908000	2
14	Cargo box pull rope	3MU5909000	2
15	Plug bolt φ 8*12*M6	3MU5911100	4
16	Step bolt mounting base	3MU5912000	1
17	Bolt M10×1.25×60 (GB/T 5789)	9186310060281300	4
18	Gas spring	3MU5913000	1
19	Gas spring rubber pad	3MU5914000	4
20	Pin (φ10*45)	3MU5915000	2
21	B-pin 1.8×30 (GB/T 623)	9500301830000000	2
22	Cargo box wrench Assy	3MU5916000	1
23	Cargo box wrench rubber	3MU5916700	4
24	Cargo box wrench mounting plate	3MU5916800	4
25	cargo box handrail pipe, L	3MU5921000	1
26	cargo box handrail pipe, R	3MU5922000	1
27	Bolt M8×55 (GB/T 5789)	9186308055261300	4
28	Nut M8 (GB/T 6187.1)	9330308013241300	4
29	Cargo box wrench rubber sleeve	3MU5910700	2
30	Square gasket φ8	3MU5923000	4
31	Screw M6×16 (GB/T 973)	9276360160111300	4
32	Cargo box wrench spring	1MU5910500	2
33	Cargo box connecting bracket	3MU5924000	2
34	Nut M10×1.25 (GB/T 6187.2)	9330310015261300	4
35	Bolt M10×1.25×25 (GB/T 5789)	9186310025281300	2

Bighorn 550 B/DX/DXH PARTS DIAGRAM

30. SNOW SHOVEL



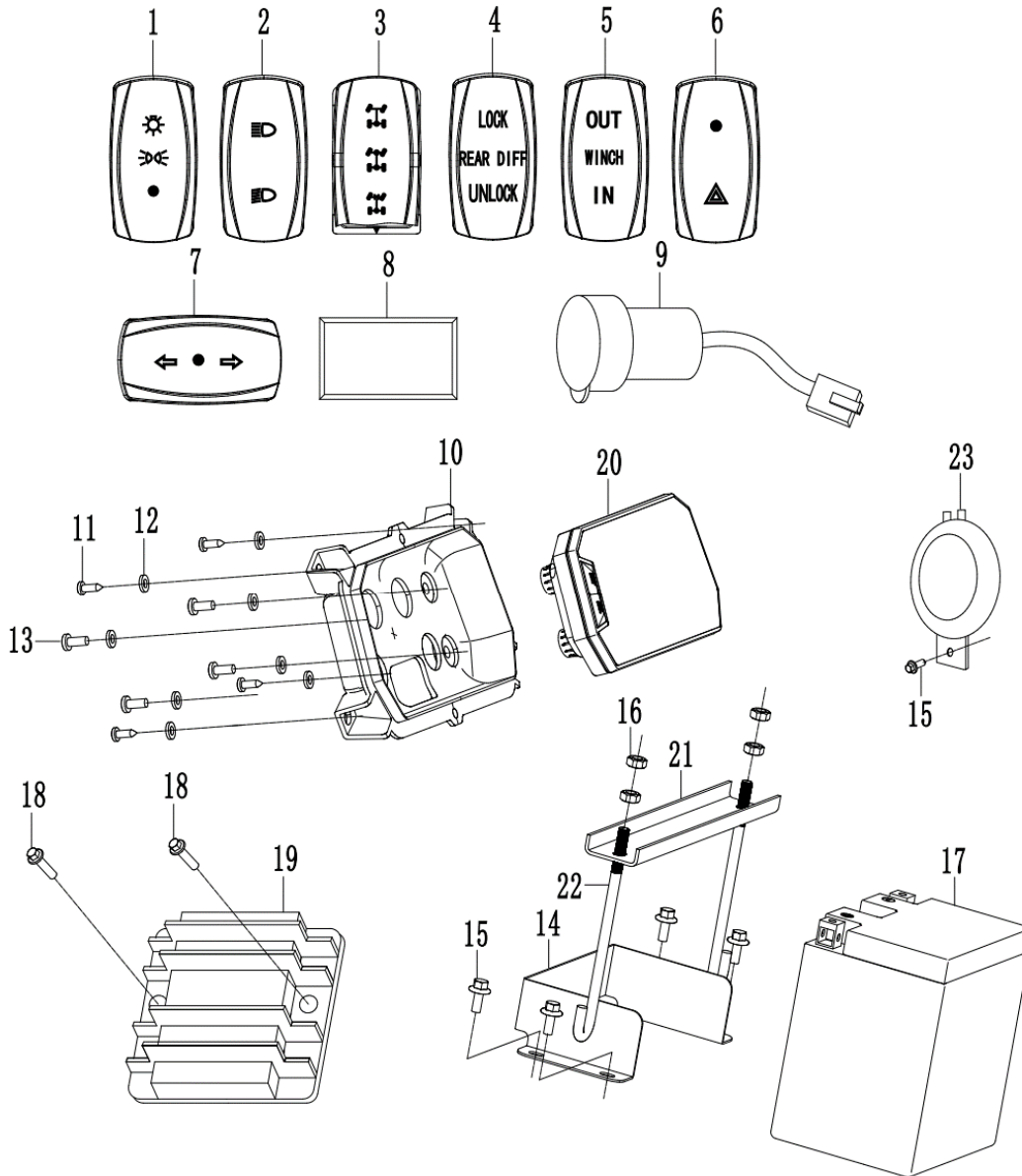
Bighorn 550 B/DX/DXH PARTS LIST

30. SNOW SHOVEL

NO.	PART NAME	PART NO.	QUANTITY
1	Cargo box underframe Assy	3MU5901000	1
2	Cargo box latch Assy	3MU5918010	2
3	Bolt M6×16 (GB/T 5789)	9186306016166300	10
4	Plastic bushing	2MU5903700	6
5	Cargo box shaft	3MU5904000	1
6	Cargo box shaft pin	3MU5905000	2

Bighorn 550 B/DX/DXH PARTS DIAGRAM

31. ELECTRICAL SYSTEM



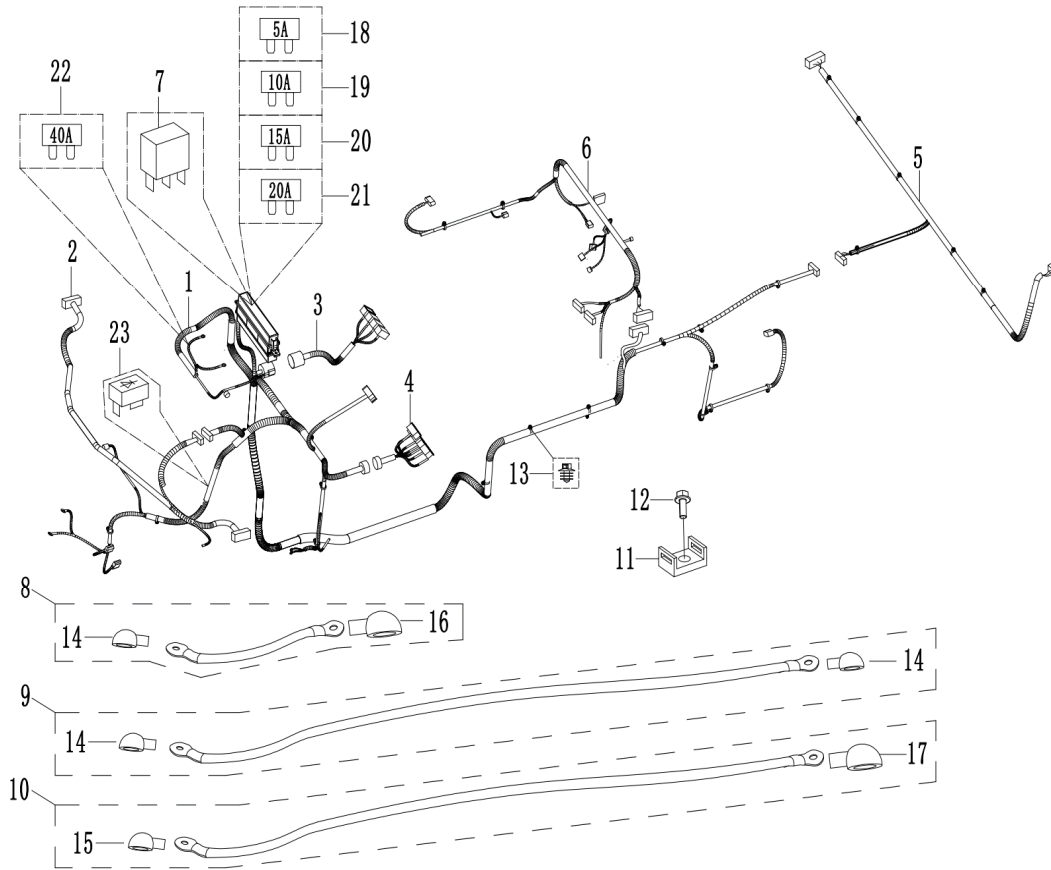
Bighorn 550 B/DX/DXH PARTS LIST

31. ELECTRICAL SYSTEM

NO.	PART NAME	PART NO.	QUANTITY
1	Headlight switch	3MU8052000	1
2	H/L beam switch	3MU8053000	1
3	4WD combination switch	3MU8058010	1
4	Rear differential lock switch	3MU8055000	1
5	Winch switch	3MU8056000	1
6	Emergency switch	3MU8054000	1
7	Turn signal switch	3MU8059000	1
8	Switch cover	1MU6014500	4
9	Accessory socket	1MU8063000	1
10	Meter mounting plate	3MU6014700	1
11	Screw M5×12 (GB/T 818)	9214350120011300	4
12	Washer 5 (GB/T 97.1)	9401305000031300	8
13	Screw ST4.2×13 (GB/T 845)	9271342130006300	4
14	Battery limiting plate	3MU5074000	1
15	Bolt M6×16 (GB/T 5789)	9186306016166300	5
16	Nut M8 (GB/T 6170)	9340308013261300	4
17	Battery 12V 32Ah	2MU8098010	1
18	Bolt M6×35 (GB/T 16674.1)	9184306035166300	2
19	Regulator	3MU8062000	1
20	TFT Meter	3MU8031000	1
21	Battery press plate	3MU5096000	1
22	Battery fastening screw	3MU5097000	2
23	Horn	1MU8064000	1

Bighorn 550 B/DX/DXH PARTS DIAGRAM

32. CABLE



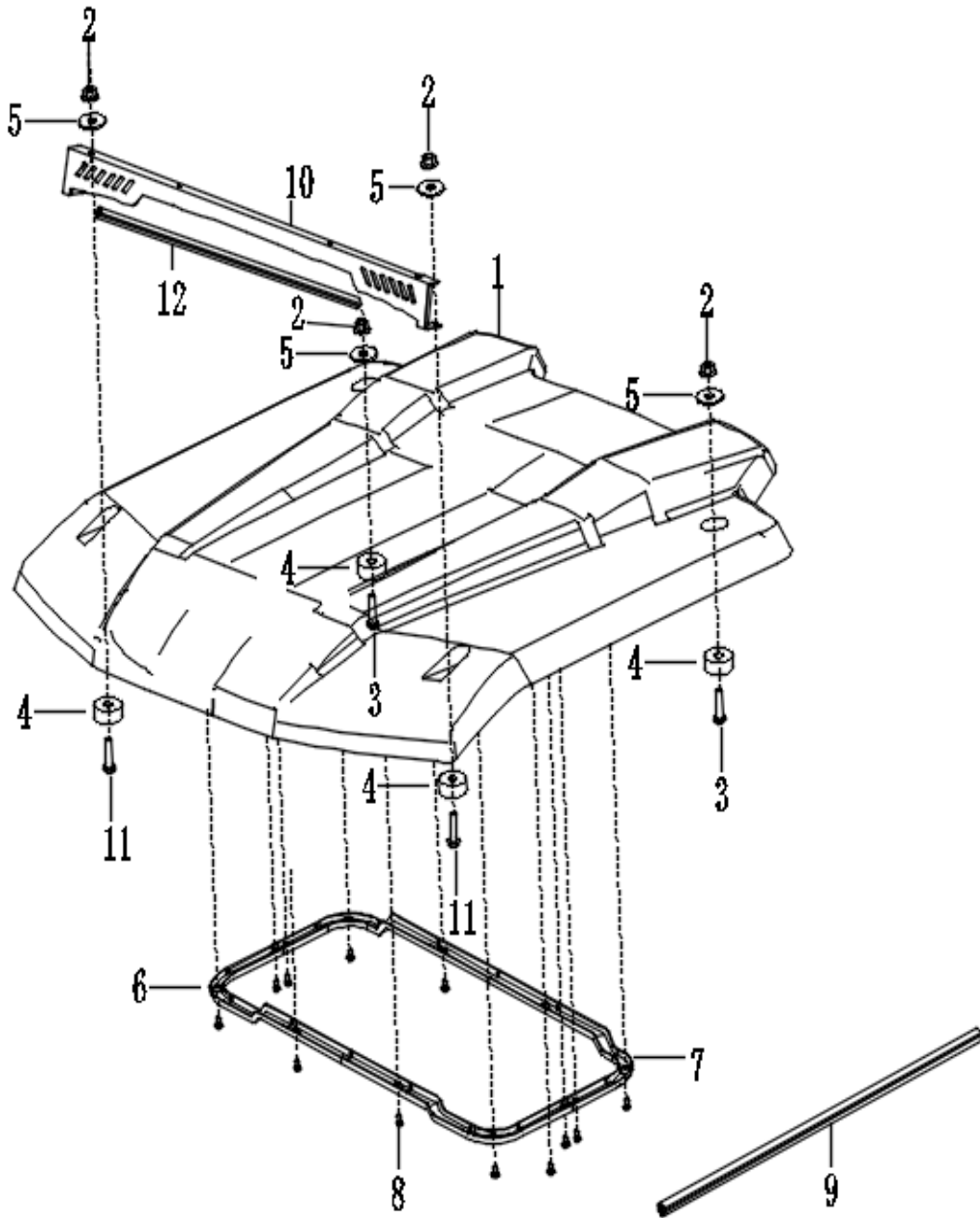
Bighorn 550 B/DX/DXH PARTS LIST

32. CABLE

NO.	PART NAME	PART NO.	QUANTITY
1	Main wiring	3MU8070000	1
2	Headlight wiring	3MU8087000	1
3	Panel switch wiring (middle)	3MU8085000	1
4	Panel switch wiring (left, configuration)	3MU8088100	1
5	Tail light wiring	3MU8086000	1
6	EFI wiring	3MU8083000	1
7	Relay (G8HN-1C4T-RH)	4EG801701002	1
8	Starting wiring (relay to battery+)	3MU8081010	1
9	Starting wiring (motor to battery-)	3MU8082010	1
10	Starting wiring (motor to start relay)	3MU8084010	1
11	Tie mounting base (square)	3MU8051100	7
12	Bolt M6×16 (GB/T 29.2)	9174306016161300	7
13	Tie mounting base (circular)	3MU8051200	15
14	Red rubber cap (small)	3MU8081100	3
15	Black rubber cap (small)	3MU8084100	1
16	Red rubber cap (big)	3MU8081200	1
17	Black rubber cap (big)	3MU8084200	1
18	Fuse (5A)	3MU8070100	1
19	Fuse (10A)	3MU8070200	3
20	Fuse (15A)	3MU8070300	2
21	Fuse (20A)	3MU8070400	3
22	Fuse (40A)	3MU8070500	2
23	Protector	2MU8088000	2

Bighorn 550 B/DX/DXH PARTS DIAGRAM

33. ROOF



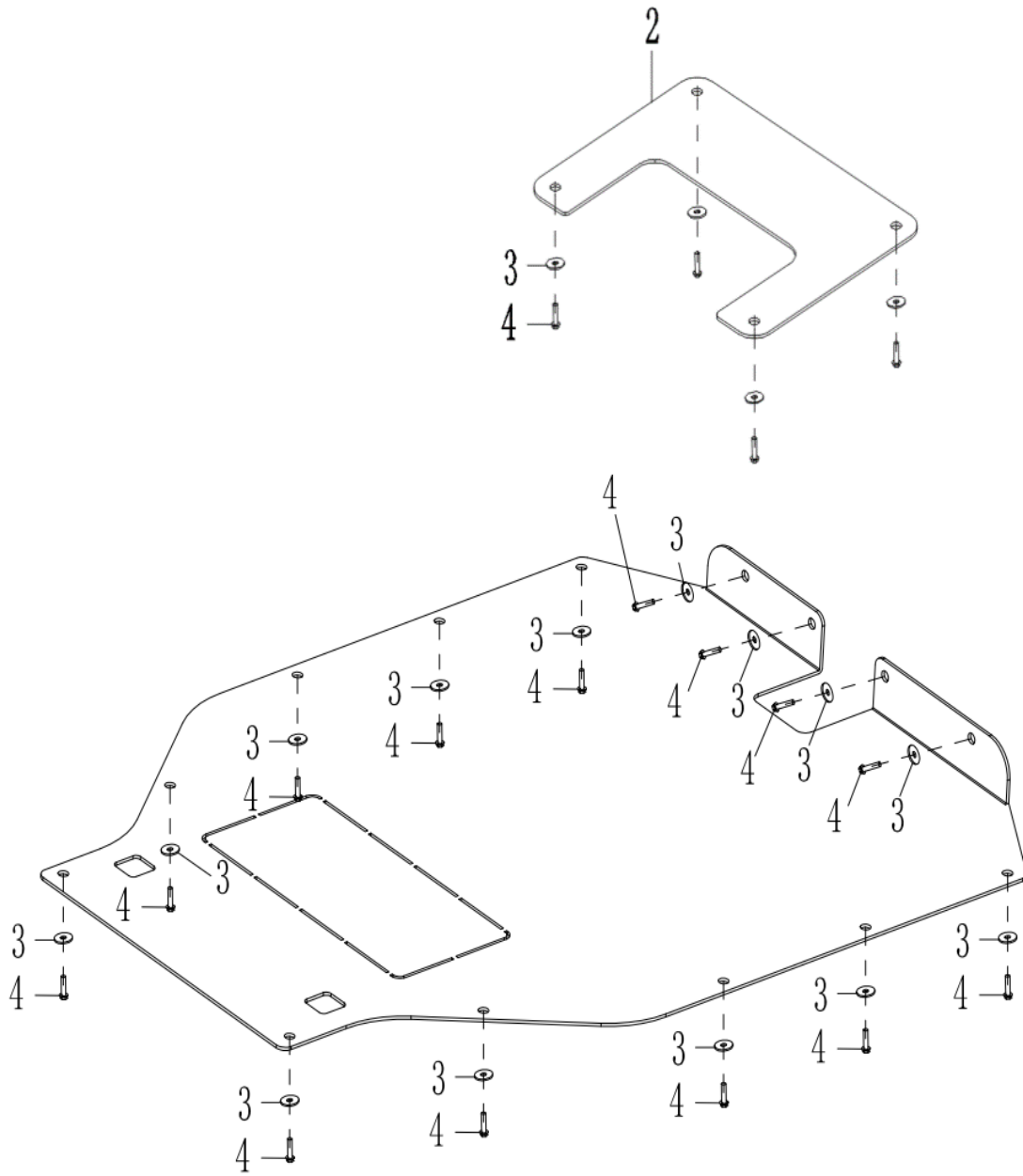
Bighorn 550 B/DX/DXH PARTS LIST

33. ROOF

NO.	PART NAME	PART NO.	QUANTITY
1	Roof	3MU6021110	1
2	Nut M6 (GB/T 6187.1)	9330306010141300	4
3	Bolt M6×30 (GB/T 5789)	9186306030166300	2
4	Roof rubber	2MD7060700	4
5	Washer 6×22×1.5	3MU6021500	4
6	Plastic roof frame, F	3MU6021200	1
7	Plastic roof frame, R	3MU6021300	1
8	Screw M5×12	3MU6021400	12
9	Sealing strip (D-17 1.3m)	3MU7359100	1
10	Light bracket	3MU7251000	1
11	Bolt M6×35 (GB/T 16674.1)	9184306035166300	2
12	Rubber sealing strip	3MU7252000	1

Bighorn 550 B/DX/DXH PARTS DIAGRAM

34.CHASSIS SHIELD



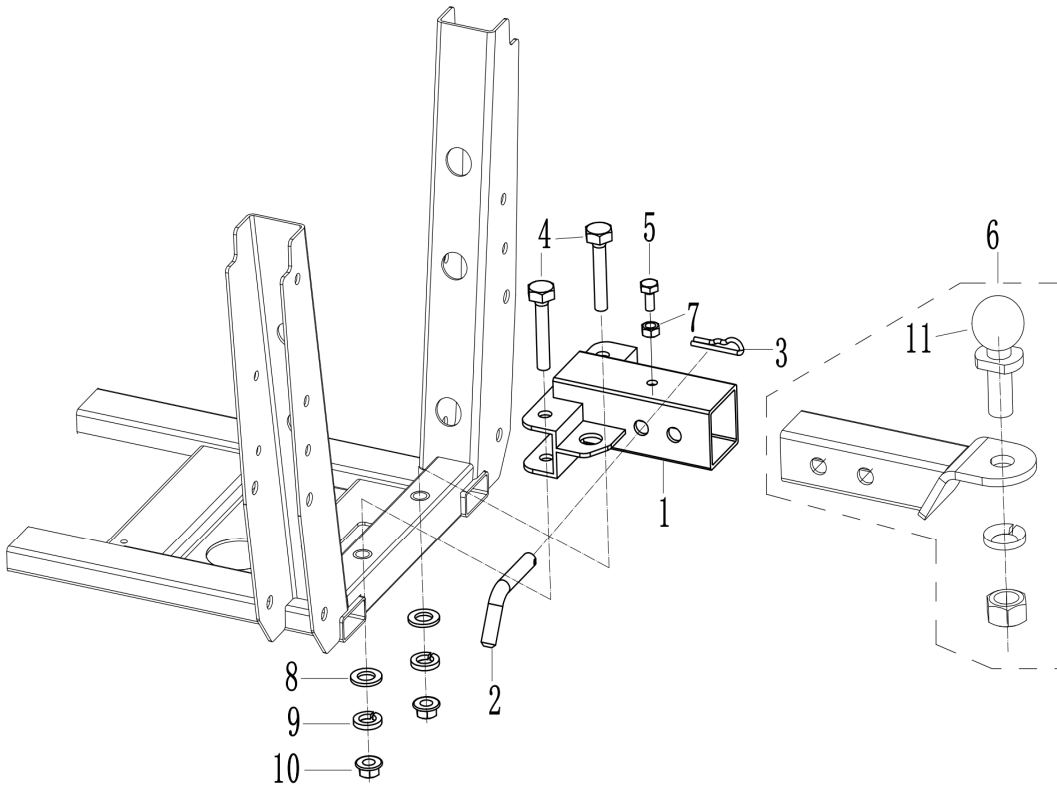
Bighorn 550 B/DX/DXH PARTS LIST

34.CHASSIS SHIELD

NO.	PART NAME	PART NO.	QUANTITY
1	Chassis guard, F	3MU6026120	1
2	Chassis guard, R	3MU6026210	1
3	Washer 8 (GB/T 96.1)	9402308000031300	18
4	Bolt M6×20 (GB/T 16674.1)	9184306020361300	18

Bighorn 550 B/DX/DXH PARTS DIAGRAM

35.BACK SUPPORT BALL HEAD



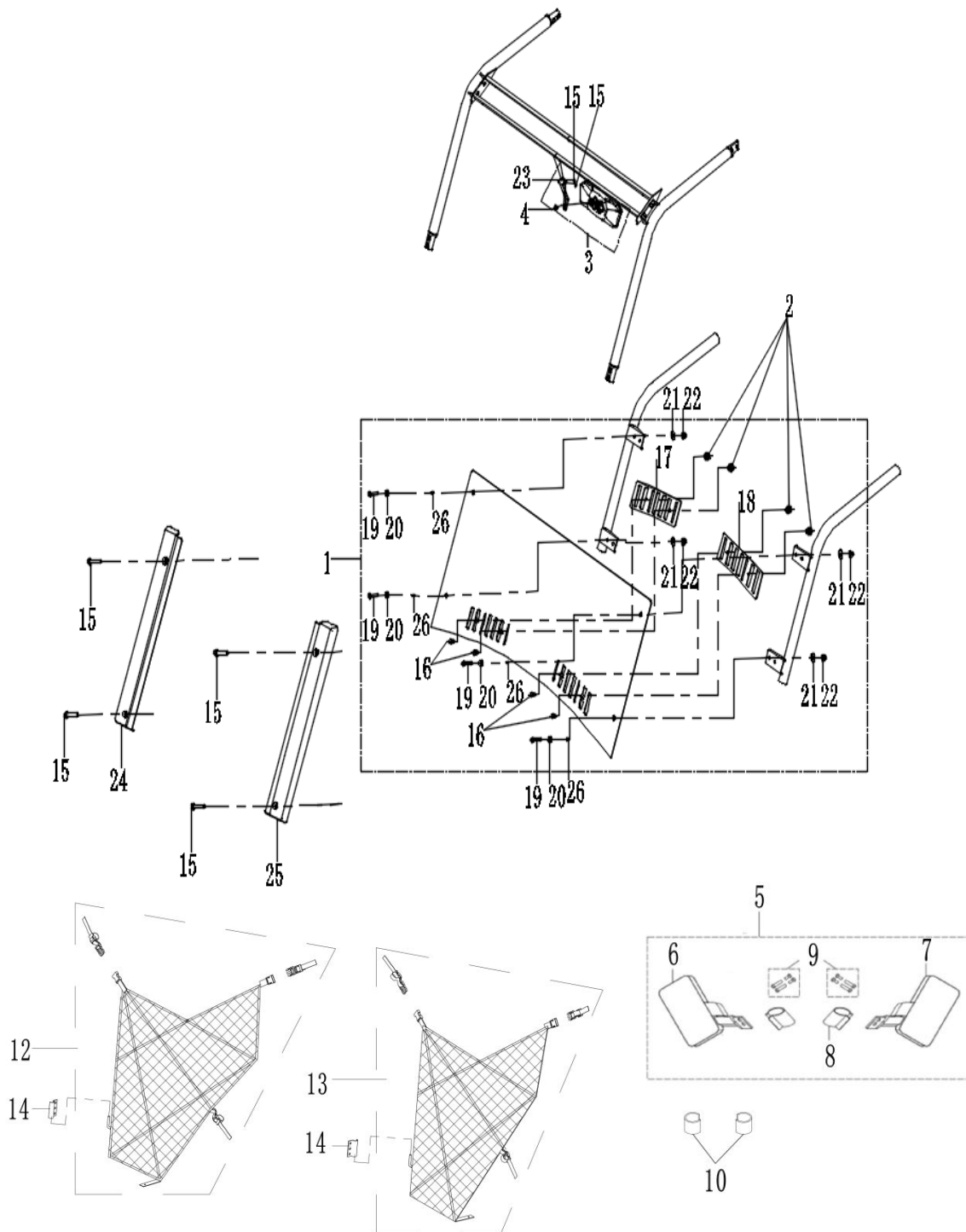
Bighorn 550 B/DX/DXH PARTS LIST

35.BACK SUPPORT BALL HEAD

NO.	PART NAME	PART NO.	QUANTITY
1	Rear towing hook connection bracket	3MU5077000	1
2	Pin	1MU708070002	1
3	B-pin 4×75 (GB/T 623)	9501304075000000	1
4	Bolt M12×1.25×75	1MU5410100	2
5	Bolt M10×1.25×20	9186310020281300	1
6	Rear towing hook Assy(American Standard)	1MU7014000	1
7	Nut M10×1.25 (GB/T 6171)	9340310016262300	1
8	Washer 12 (GB/T 97.1)	9401312000031300	2
9	Spring washer 12 (GB/T 93)	9403112000000000	2
10	Nut M12×1.25 (GB/T 6187.2)	9330312018261300	2
11	Ball joint (American Standard)	1MU7014100	1

Bighorn 550 B/DX/DXH PARTS DIAGRAM

36. ACCESSORIES



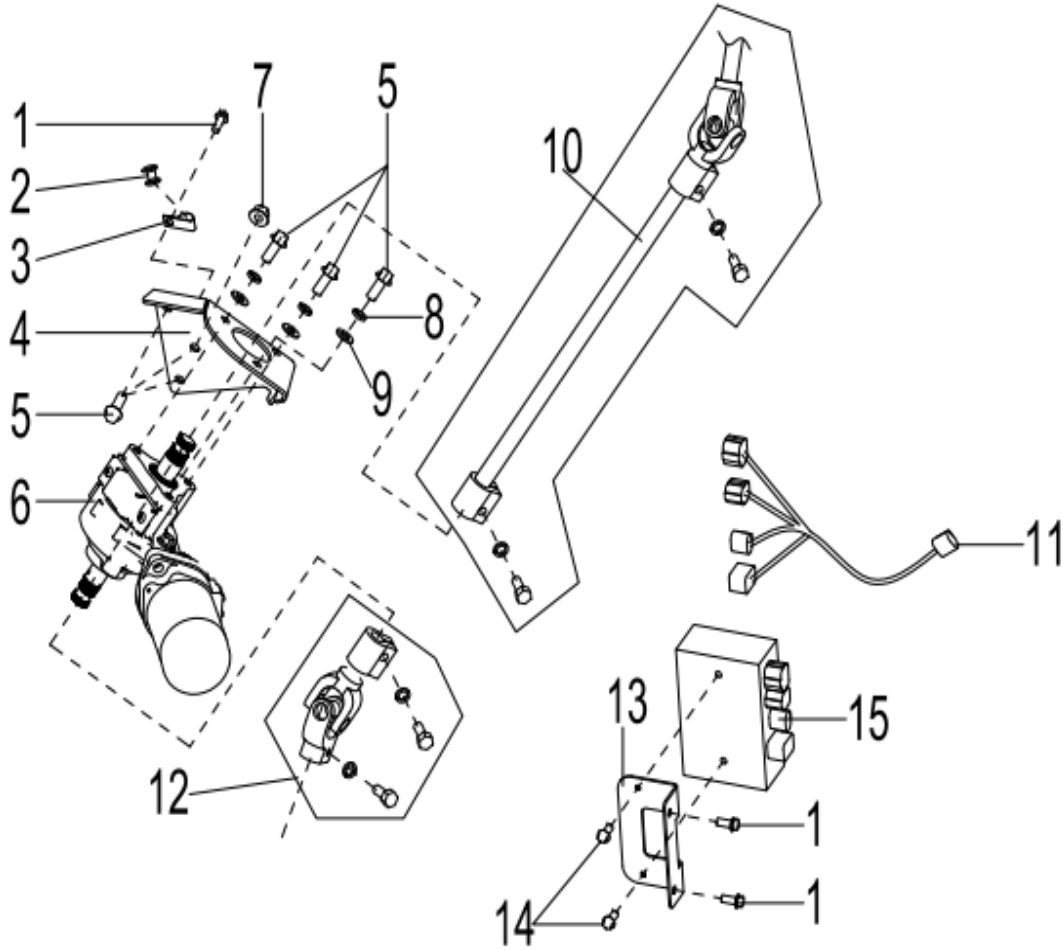
Bighorn 550 B/DX/DXH PARTS LIST

36. ACCESSORIES

NO.	PART NAME	PART NO.	QUANTITY
1	Front windshield (Fully enclosed)	3MU7361000	1
2	Knuckle nut	3MU7361500	4
3	Rear view mirror, middle	3MU7023000	1
4	Screw M8×16 (GB/T 973)	3MU7023100	1
5	Rear/ Left rear view mirror (19 models)	2MUX7021010	1
6	Rear view mirror, L	2MUX702111	1
7	Rear view mirror, R	2MUX702112	1
8	Hoop	2MUX702113	2
9	Rear view mirror bolt	2MUX702115	4
10	Rear view mirror	3MU7024000	2
11	Vehicle tools	3MU6152100	1
12	Side guard, L	3MU7216010	1
13	Side guard, R	3MU7217010	1
14	Side guard mounting plate	3MU7218000	2
15	Bolt M6×16 (GB/T 5789)	9.18631E+15	6
16	Grille step bolts	3MU7361300	4
17	Windshield ventilation grille, L	3MU7361200	1
18	Windshield ventilation grille, R	3MU7361100	1
19	Bolt M8×30 (GB/T 5789)	9.18431E+15	4
20	winshield rubber	3MU7361400	4
21	Washer 8 (GB/T 96.1)	9402308000031300	4
22	Nut M8 (GB/T 6187.1)	9330308013241300	4
23	Middle rearview mirror mount	3MU7358000	1
24	Windshield shield, R	3MU7363200	1
25	Windshield shield, L	3MU7363100	1
26	Rubber pad copper sleeve	3MU7361600	4

Bighorn 550 B/DX/DXH PARTS DIAGRAM

37. SWITVH TO EPS SYSTEM [Bighorn 550 DX/DXH]



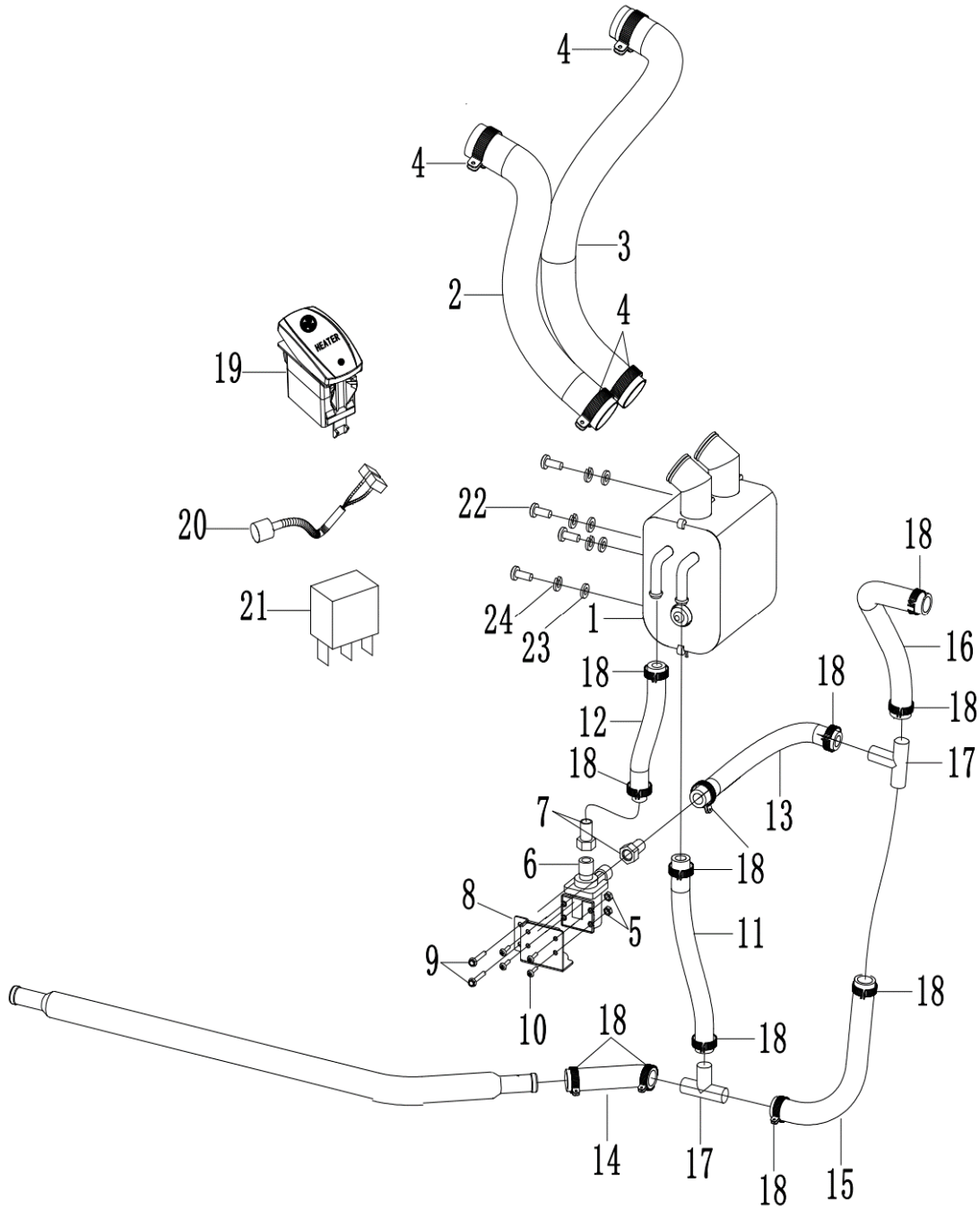
Bighorn 550 B/DX/DXH PARTS LIST

37. SWITVH TO EPS SYSTEM [Bighorn 550 DX/DXH]

NO.	PART NAME	PART NO.	QUANTITY
1	Bolt M6×16 (GB/T 5789)	9186306016166300	3
2	Fixed rubber sleeve (black)	2MU5650600	1
3	Parking cable clamp	2MU5650500	1
4	EPS mounting base	3MU5088000	1
5	Bolt M8×22 (GB/T 16674.1)	9184308022261300	6
6	EPS Motor	3MU5626100	1
7	Nut M8 (GB/T 6187.1)	9330308013241300	1
8	Spring washer 8 (GB/T 93)	9403108000000000	3
9	Washer 8 (GB/T 93)	9401308000031300	3
10	EPS steering column, up	3MU5624100	1
11	EPS Cable	3MU5627000	1
12	EPS steering column, low	3MU5624200	1
13	EPS controller mounting plate	3MU5092000	1
14	Bolt M6×12 (GB/T 16674.1)	9184306012161300	2
15	EPS Controller	3MU5626200	1

Bighorn 550 B/DX/DXH PARTS DIAGRAM

38. WARM AIR SYSTEM [Bighorn 550 DX/DXH]



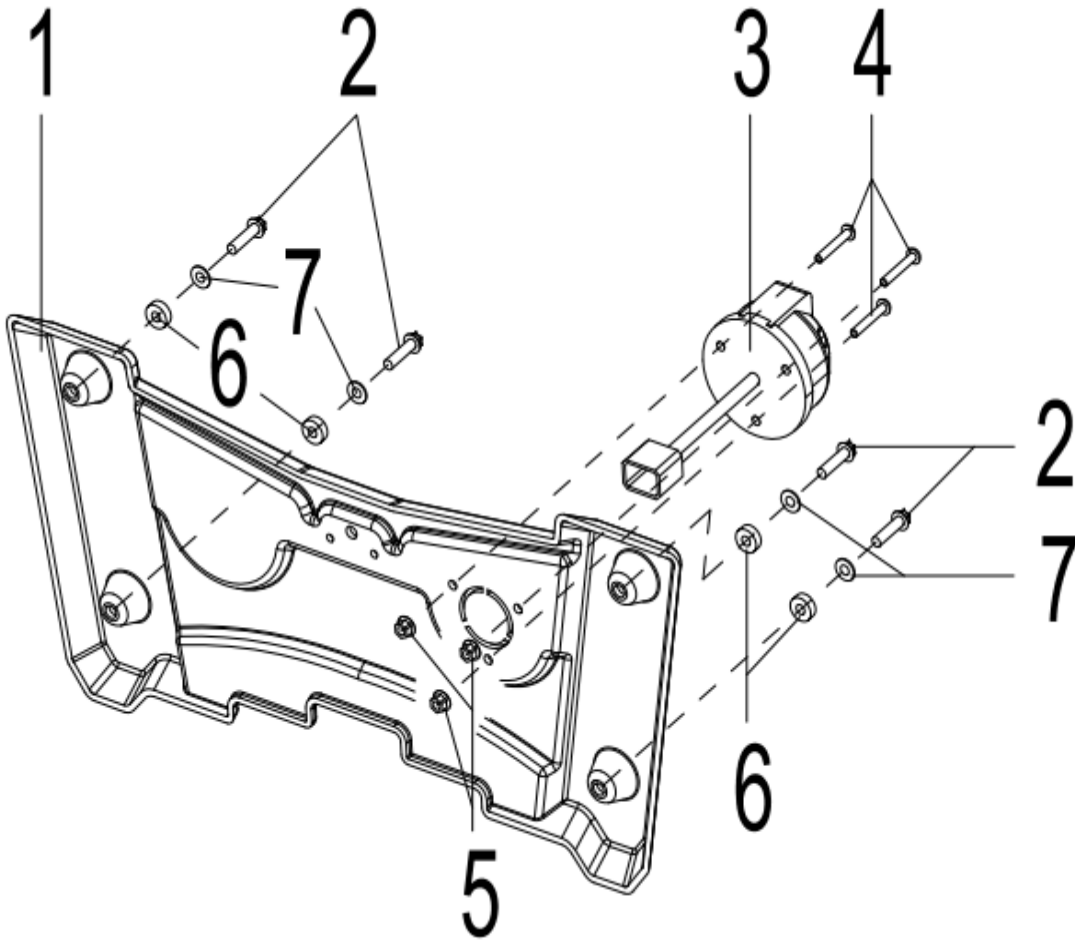
Bighorn 550 B/DX/DXH PARTS LIST

38. WARM AIR SYSTEM [Bighorn 550 DX/DXH]

NO.	PART NAME	PART NO.	QUANTITY
1	Heater	3MU7234500	1
2	Air outlet pipe of heater, R	3MU7234A00	1
3	Air outlet pipe of heater, L	3MU7234B00	1
4	Clamp 33~57	3MU7234400	4
5	Nut M4	1FL1200011	4
6	Heater pump	3MU7231000	1
7	Water pipe joint (16mm)	3MU7233200	2
8	Heater pump bracket	3MU7213000	1
9	Bolt M6×16 (GB/T 5789)	9186306016166300	2
10	Screw M4×14 (GB/T 818)	9214340140005300	4
11	Water inlet pipe of heater	3MU7234100	1
12	Water outlet pipe of heater	3MU7234200	1
13	Water outlet pipe of heater pump	3MU7234300	1
14	Water inlet pipe of pipe tee, low	3MU7234700	1
15	Water outlet pipe of pipe tee, low	3MU7234800	1
16	Water inlet pipe of pipe tee, up	3MU7234900	1
17	Pipe tee	3MU7233100	2
18	Clamp 19~29	1MR1249500	12
19	Heater switch	3MU7232000	1
20	Switch cable, left, optional	3MU8088200	1
21	Relay (JD1926A)	4EG8017010	1
22	Bolt M8×16 (GB/T 5789)	9186308016266300	4
23	Spirng washer 8 (GB/T 93)	9403108000000000	4
24	Washer 8 (GB/T 97.1)	9401308000031300	4

Bighorn 550 B/DX/DXH PARTS DIAGRAM

39. DRAG THE POWER SUPPLY AND INSTALL THE PLASTIC BOARD



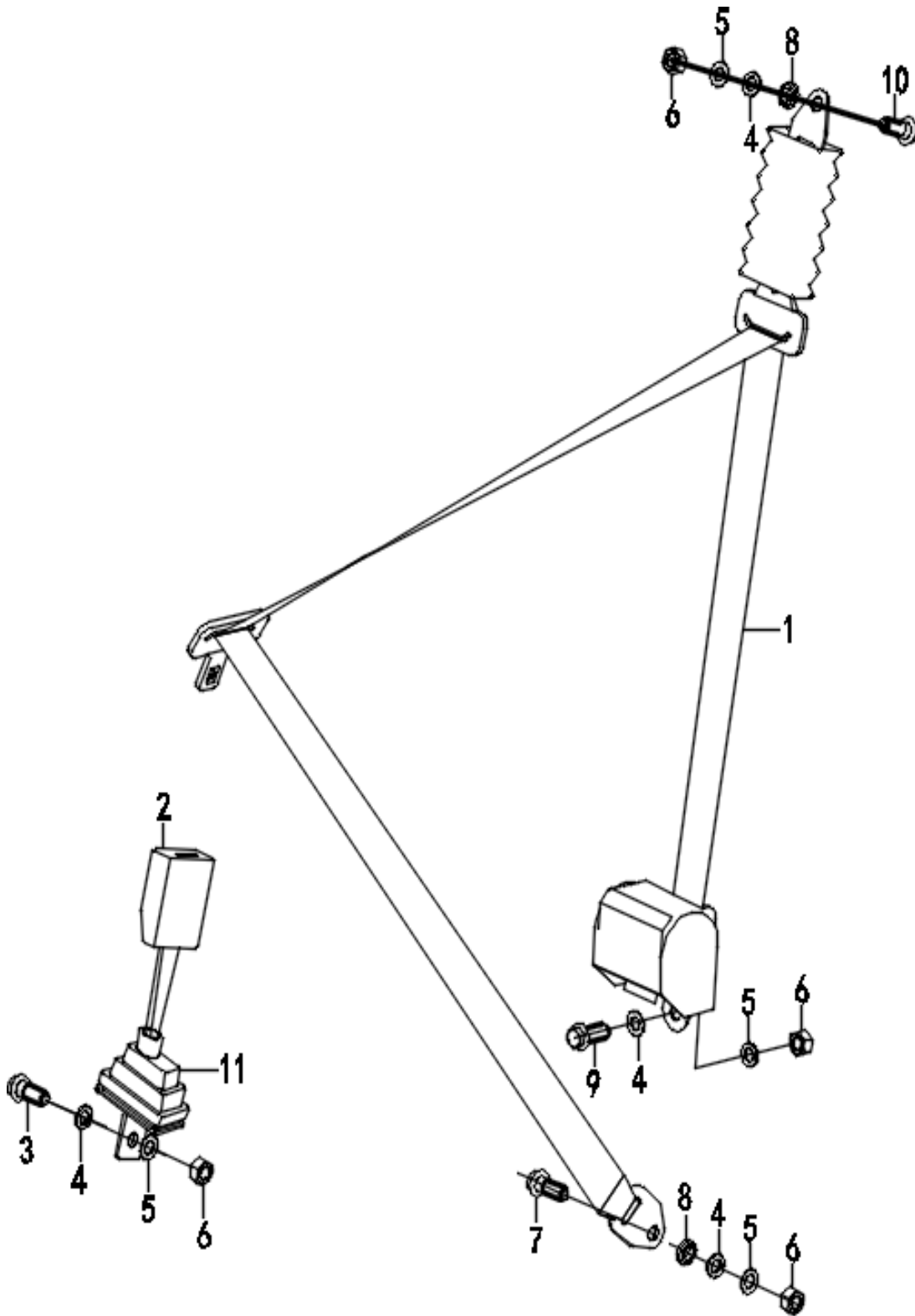
Bighorn 550 B/DX/DXH PARTS LIST

39. DRAG THE POWER SUPPLY AND INSTALL THE PLASTIC BOARD

NO.	PART NAME	PART NO.	QUANTITY
1	Trailer power interface plate	3MU6033300	1
2	Bolt M6×25 (GB/T 5789)	9186306025161300	4
3	Trailer power interface	3MU8017000	1
4	Screw M5×35 (GB/T 818)	9214350350011300	3
5	Nut M5 (GB/T 6177.1)	9320305008202300	3
6	Gas spring rubber pad	3MU5914000	4
7	Washer 8 (GB/T 96.1)	9402308000031300	4

Bighorn 550 B/DX/DXH PARTS DIAGRAM

40. SEAT BELT



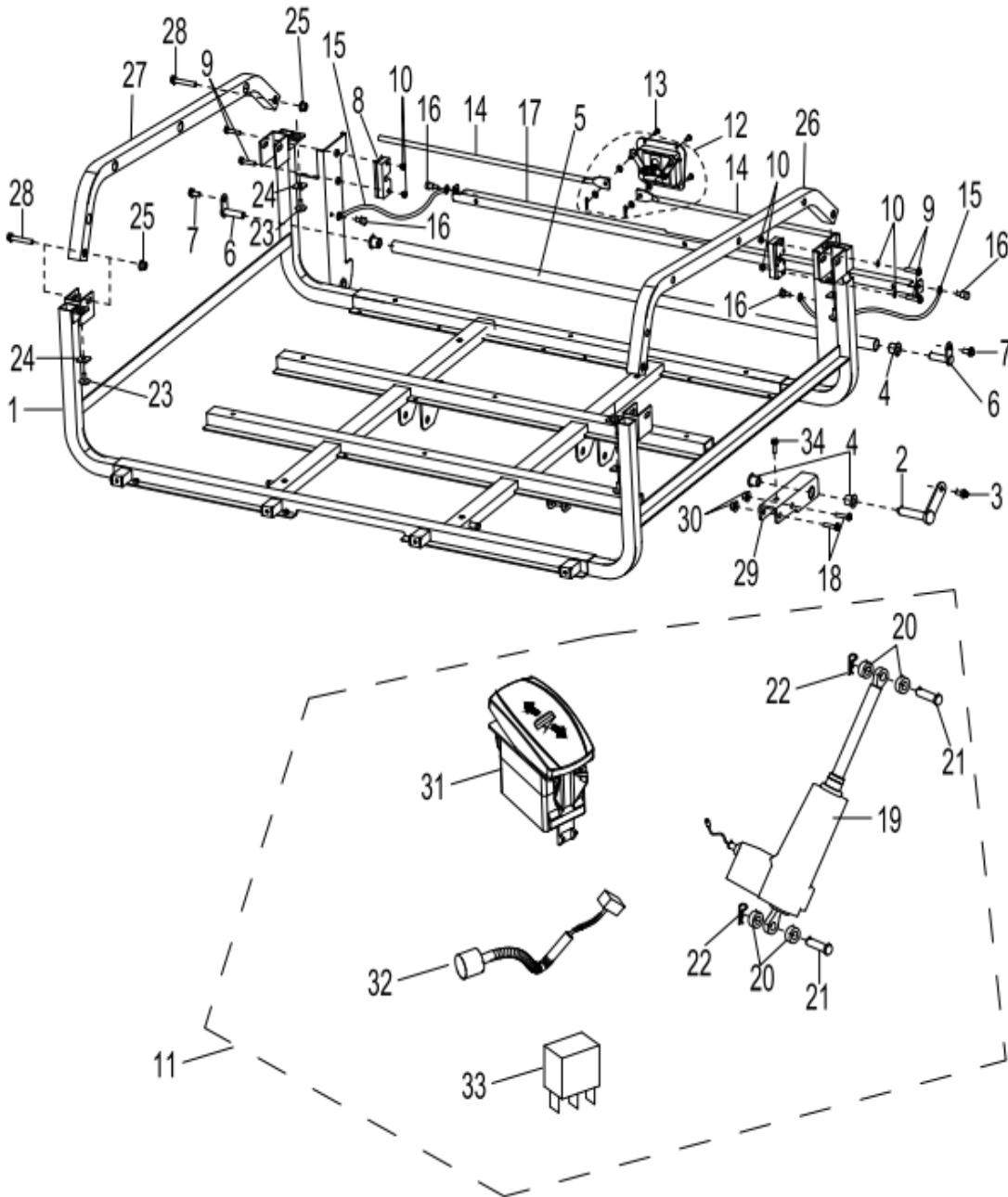
Bighorn 550 B/DX/DXH PARTS LIST

40. SEAT BELT

NO.	PART NAME	PART NO.	QUANTITY
1	Belt(3 POINT)	1MU7151000	2
2	Belt Lock ASSY	1MU7155000	2
3	Bolt	1MU7150100	2
4	Spring Washer	1MU7150200	8
5	Washer	1MU7150300	8
6	Nut	1MU7150400	8
7	Bolt A	1MU7150500	2
8	Washer	1MU7150600	4
9	Bolt	1MU7150700	2
10	Bolt 7/16×35	1MU7150900	2
11	Safety Belt rubber sheath	3MU5863000	2

Bighorn 550 B/DX/DXH PARTS DIAGRAM

41.THE BOTTOM FRAME OF THE CARGO BOX WITH PUSH ROD MOTOR (MATCH)



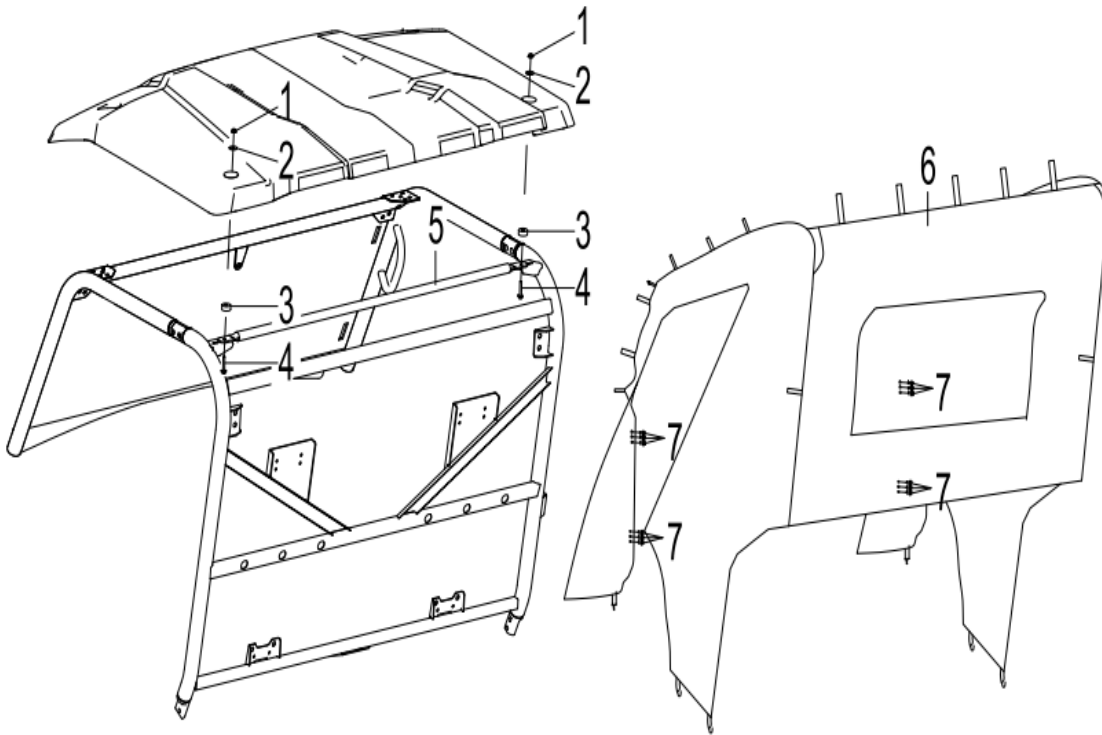
Bighorn 550 B/DX/DXH PARTS LIST

41.THE BOTTOM FRAME OF THE CARGO BOX WITH PUSH ROD MOTOR (MATCH)

NO.	PART NAME	PART NO.	QUANTITY
1	Cargo box underframe Assy	3MU5901000	1
2	Cargo box latch Assy	3MU5918010	2
3	Bolt M6×16 (GB/T 5789)	9186306016166300	2
4	Plastic bushing	2MU5903700	6
5	Cargo box shaft	3MU5904000	1
6	Cargo box shaft pin	3MU5905000	2
7	Bolt M8×16 (GB/T 5789)	9186308016266300	2
8	Cargo box rear cover side lock	3MU5906000	2
9	Bolt M6×30 (GB/T 5789)	9186306030166300	4
10	Nut M6 (GB/T 6170)	9340306010242300	4
11	Electric lift kits	3MUX724000	1
12	Cargo box lock wrench	3MU5907000	1
13	Screw ST4.8×16 (GB/T 845)	9271348160006300	4
14	Cargo box lock connecting rod	3MU5908000	2
15	Cargo box pull rope	3MU5909000	2
16	Plug bolt φ 8*12*M6	3MU5911100	4
17	Step bolt mounting base	3MU5912000	1
18	Bolt M10×1.25×60 (GB/T 5789)	9186310060281300	4
19	Cargo push rod motor(LX700)	3MU7242010	1
20	Gas spring rubber pad	3MU5914000	4
21	Pin (φ10*45)	3MU5915000	2
22	B-pin 1.8×30 (GB/T 623)	9500301830000000	2
23	Screw M6×16 (GB/T 973)	9276360160111300	4
24	Square gasket φ8	3MU5923000	4
25	Nut M8 (GB/T 6187.1)	9330308013241300	4
26	cargo box handrail pipe, L	3MU5921000	1
27	cargo box handrail pipe, R	3MU5922000	1
28	Bolt M8×55 (GB/T 5789)	9186308055261300	4
29	Cargo box connecting bracket	3MU5924000	2
30	Nut M10×1.25 (GB/T 6187.2)	9330310015261300	4
31	Cargo push rod motor switch	3MU7241000	1
32	Push rod motor switch wiring	3MU7243000	1
33	Relay (JD1926A)	4EG8017010	1
34	Bolt M10×1.25×25 (GB/T 5789)	9186310025281300	2

Bighorn 550 B/DX/DXH PARTS DIAGRAM

42. SOFT PACKAGE



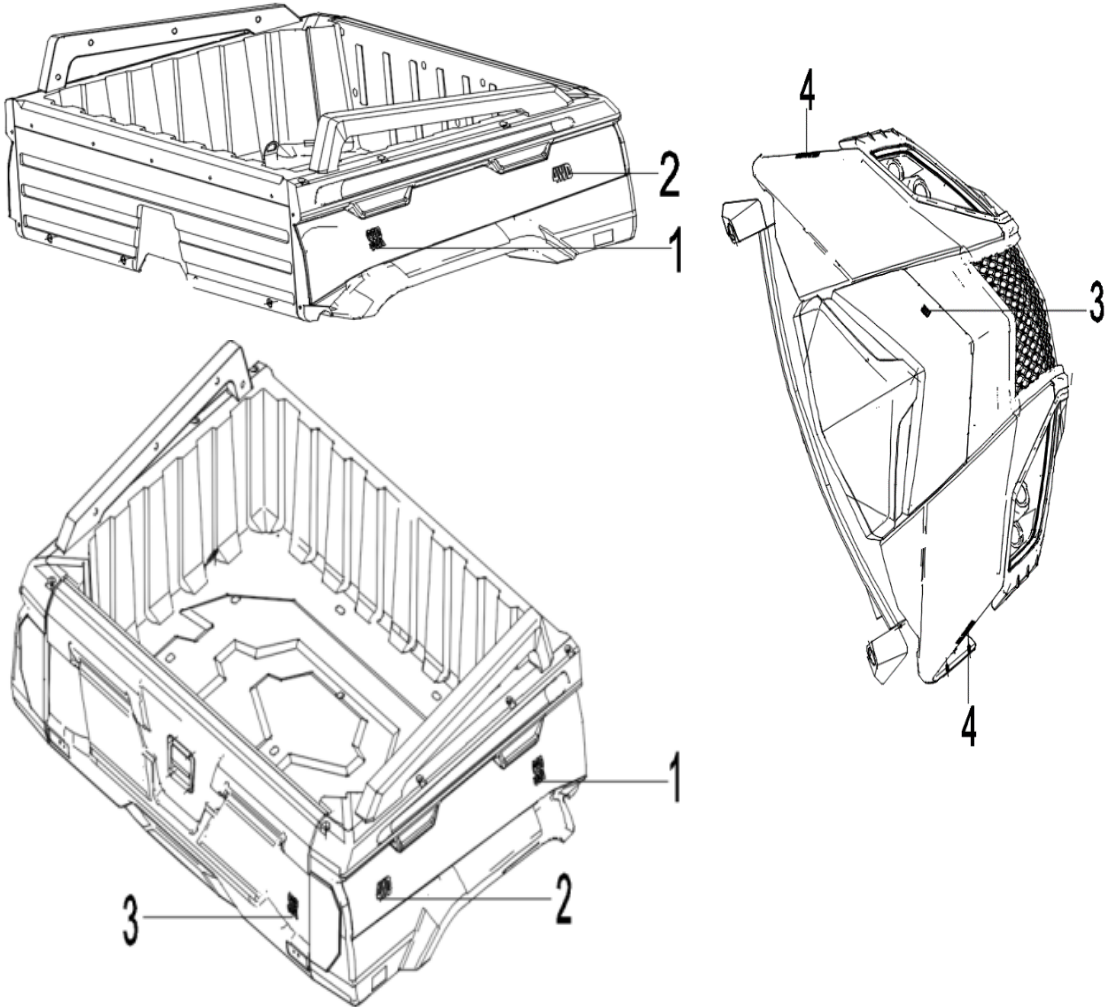
Bighorn 550 B/DX/DXH PARTS LIST

42. SOFT PACKAGE

NO.	PART NAME	PART NO.	QUANTITY
1	Cargo box underframe Assy	3MU5901000	1
2	Cargo box latch Assy	3MU5918010	2
3	Bolt M6×16 (GB/T 5789)	9186306016166300	2
4	Plastic bushing	2MU5903700	6
5	Cargo box shaft	3MU5904000	4
6	Cargo box shaft pin	3MU5905000	2
7	Bolt M8×16 (GB/T 5789)	9186308016266300	2

Bighorn 550 B/DX/DXH PARTS DIAGRAM

43. LABELLING



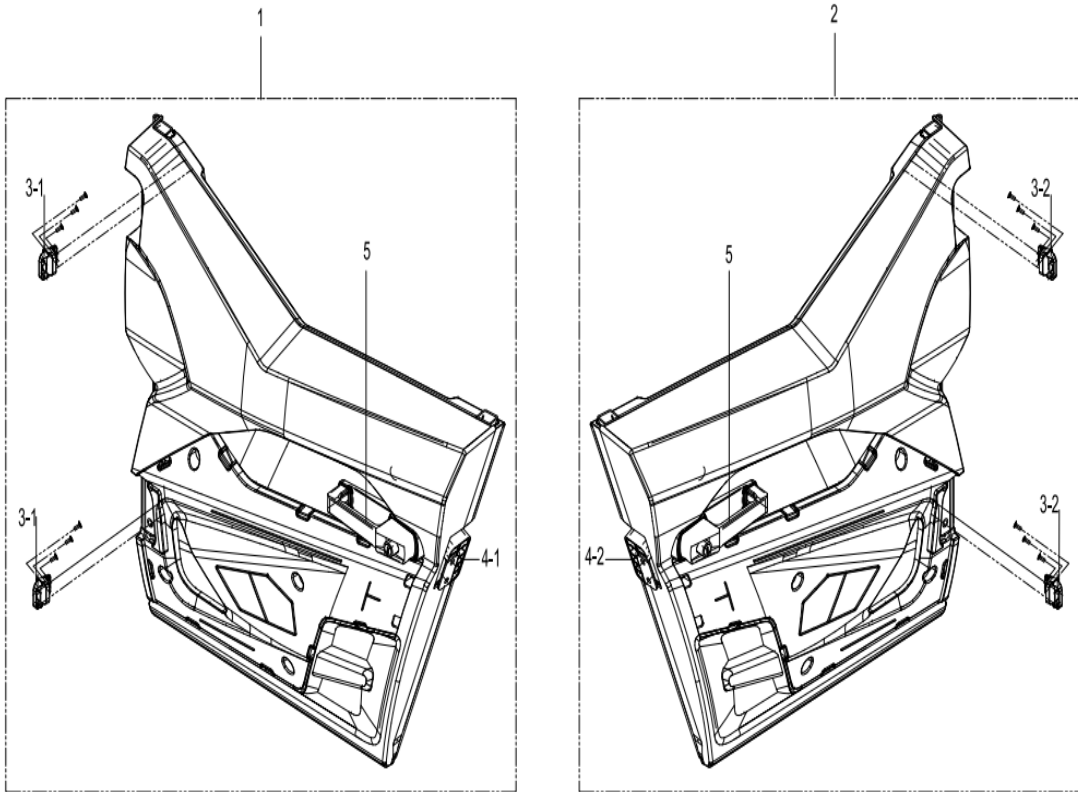
Bighorn 550 B/DX/DXH PARTS LIST

43. LABELLING

NO.	PART NAME	PART NO.	QUANTITY
1	SSR Container truck logo-both sides (small)	3MU6125100	2
2	4WD The mark of a freight car	2MU6134300	2
3	SSR Hard plastic label (111 × 35)	3MU6125100	2
4	FUEL INJECTION applique	1NU6137600	2

Bighorn 550 B/DX/DXH PARTS DIAGRAM

44. HALF DOOR ASSY[Bighorn 550 DX]



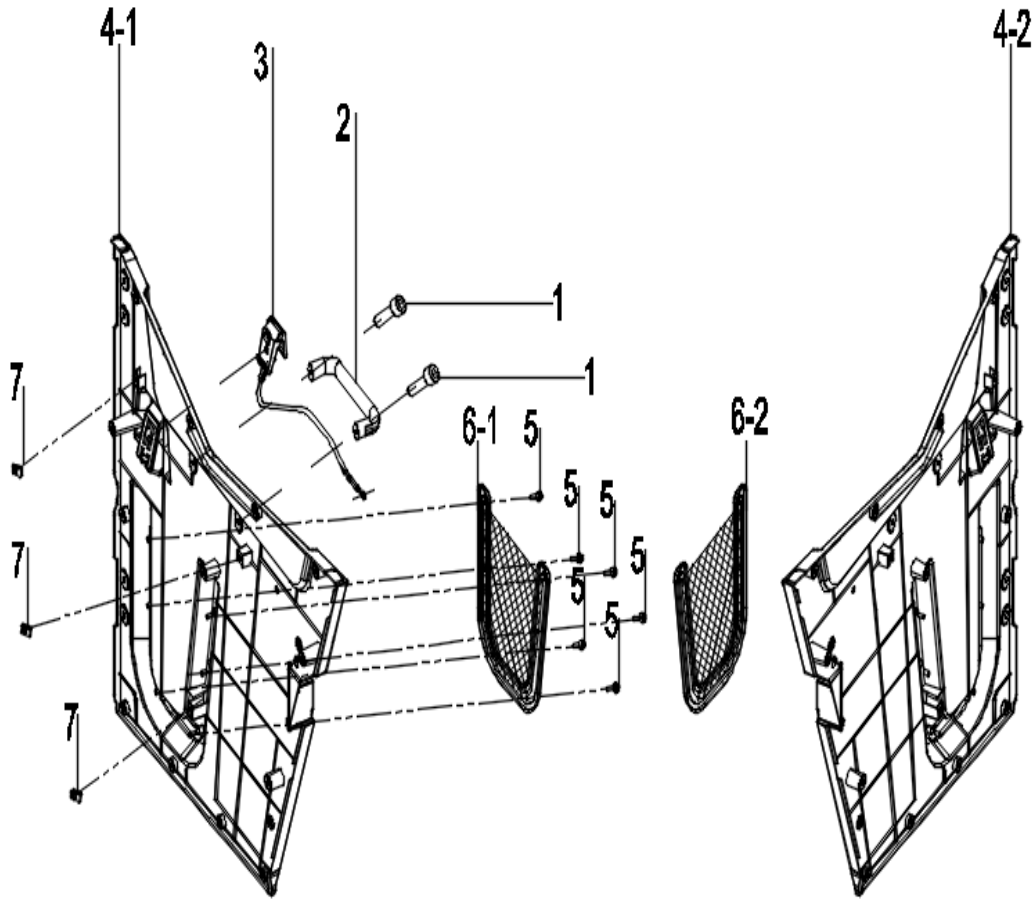
Bighorn 550 B/DX/DXH PARTS LIST

43. LABELLING[Bighorn 550 DX]

NO.	PART NAME	PART NO.	QUANTITY
1	Half door Assy, L	3MU7291000	1
1-1	Half door Assy, L (Camouflage 3)	3MU72910085	1
1-2	Half door Assy, L (American Red)	3MU72910041	1
1-3	Half door Assy, L (Lucky green)	3MU72910065	1
1-4	Half door Assy, L (matte black)	3MU72910012	1
1-5	Half door Assy, L (Camouflage 4)	3MU72910086	1
2	Half door Assy, R	3MU7292000	1
2-1	Half door Assy, R (Camouflage 3)	3MU72920085	1
2-2	Half door Assy, R (American Red)	3MU72920041	1
2-3	Half door Assy, R (Lucky green)	3MU72920065	1
2-4	Half door Assy, R (matte black)	3MU72920012	1
2-5	Half door Assy, R (Camouflage 4)	3MU72920086	1
3-1	Door Hinge Assy,L	3MUX733100	2
3-2	Door Hinge Assy,R	3MUX733200	2
4-1	Latch(left)	3MU7335000	1
4-2	Latch(right)	3MU7334000	1
5-1	Door lock handle	3MU7317100	2
5-2	Door lock handle,R	3MU7327100	4

Bighorn 550 B/DX/DXH PARTS DIAGRAM

44-1. INNER DOOR ASSY[Bighorn 550 DX]



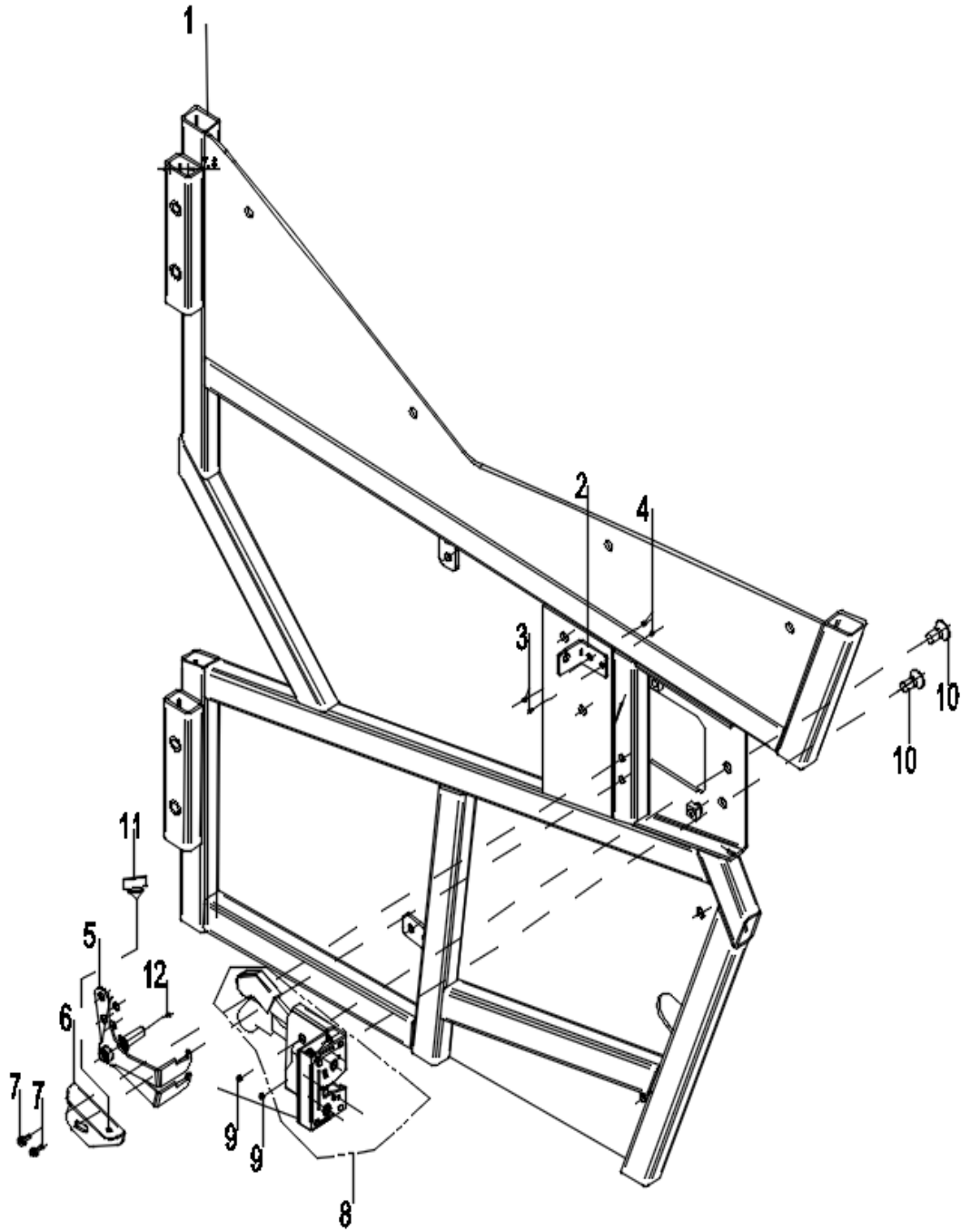
Bighorn 550 B/DX/DXH PARTS LIST

44-1. INNER DOOR ASSY[Bighorn 550 DX]

NO.	PART NAME	PART NO.	QUANTITY
1	Bolt M6×25 (GB/T 70.1)	9.21831E+15	2
2	Handle	3MU7356000	1
3	Removable hood lock swtich	3MU5647000	1
4-1	Inner door panel, L	3MU7313000	1
4-2	Inner door panel, R	3MU7323000	1
5	Bolt M4×12(GB/T 818)	9214340120001300	6
6-1	Net pocket Assy, L	3MU731c0001	1
6-2	Net pocket Assy, R	3MU731d0001	1
7	Spring Nut ST4.8 (Q397A)	9397342000002300	3

Bighorn 550 B/DX/DXH PARTS DIAGRAM

44-2. HALF DOOR FRAME[Bighorn 550 DX]



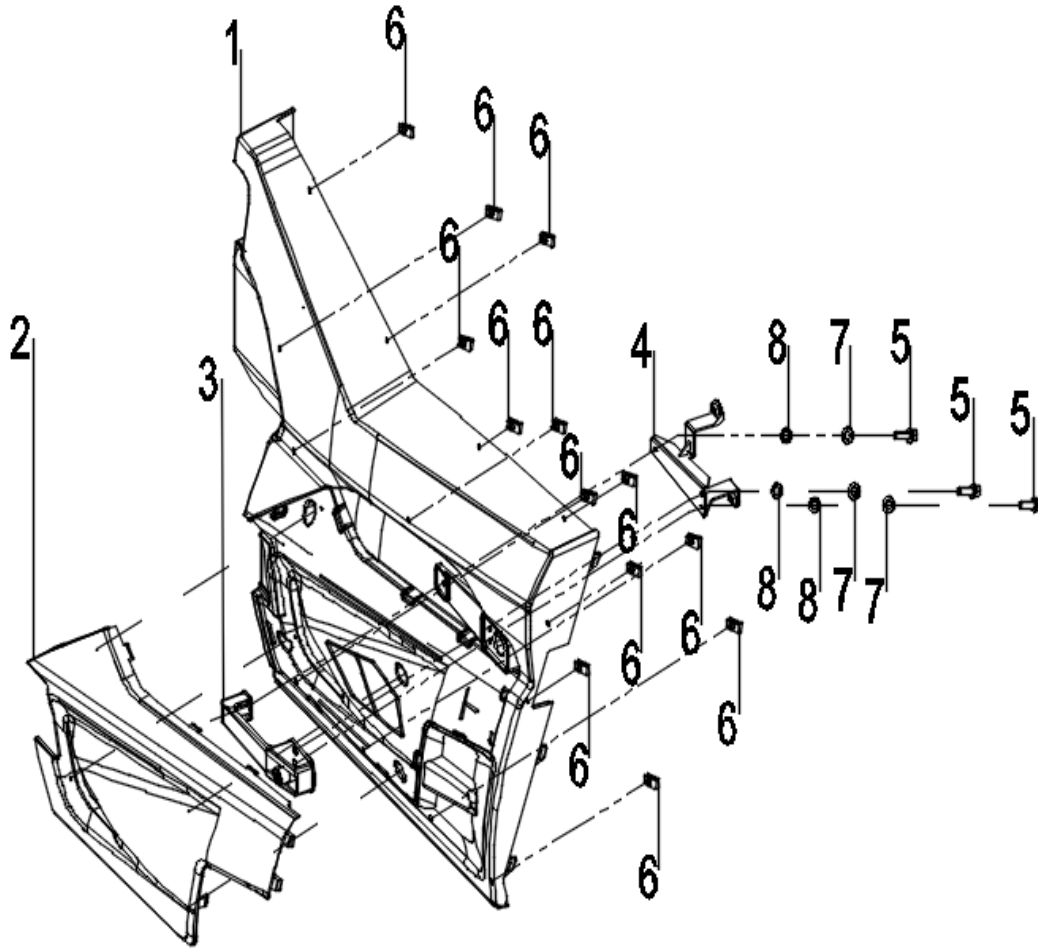
Bighorn 550 B/DX/DXH PARTS LIST

44-2. HALF DOOR FRAME[Bighorn 550 DX]

NO.	PART NAME	PART NO.	QUANTITY
1-1	Half door Frame, R	3MU7291100	1
1-2	Half door Frame, L	3MU7292100	1
2-1	Inner door cable mounting plate , L	3MU7319300	1
2-2	Inner door cable mounting plate , R	3MU731A300	1
3	Bolt M4×12(GB/T 818)	9214340120001300	2
4	Nut M4 (GB/T 6170)	9.3403E+15	2
5-1	Inner door lever support ,L	3MU7319200	1
5-2	Inner door lever support ,R	3MU731a200	1
6-1	Internal door unlocking paddle,L	3MU7319100	1
6-2	Internal door unlocking paddle, R	3MU731a100	1
7	Bolt M6×16(GB/T 5789)	9186306016166300	2
8-1	Door lock assembly, L	3MU7317000	1
8-2	Door lock assembly, R	3MU7327000	1
9	Nut M6 (GB/T 6177.1)	9320306010202300	2
10	Screw M6×20(GB/T 973)	9275360250111300	2
11	Long container cover plate cushioning rubber	2MG5031000	1
12	GB/T 896 6 Open retaining ring	9.43611E+15	2

Bighorn 550 B/DX/DXH PARTS DIAGRAM

44-3. OUTER DOOR PANEL[Bighorn 550 DX]



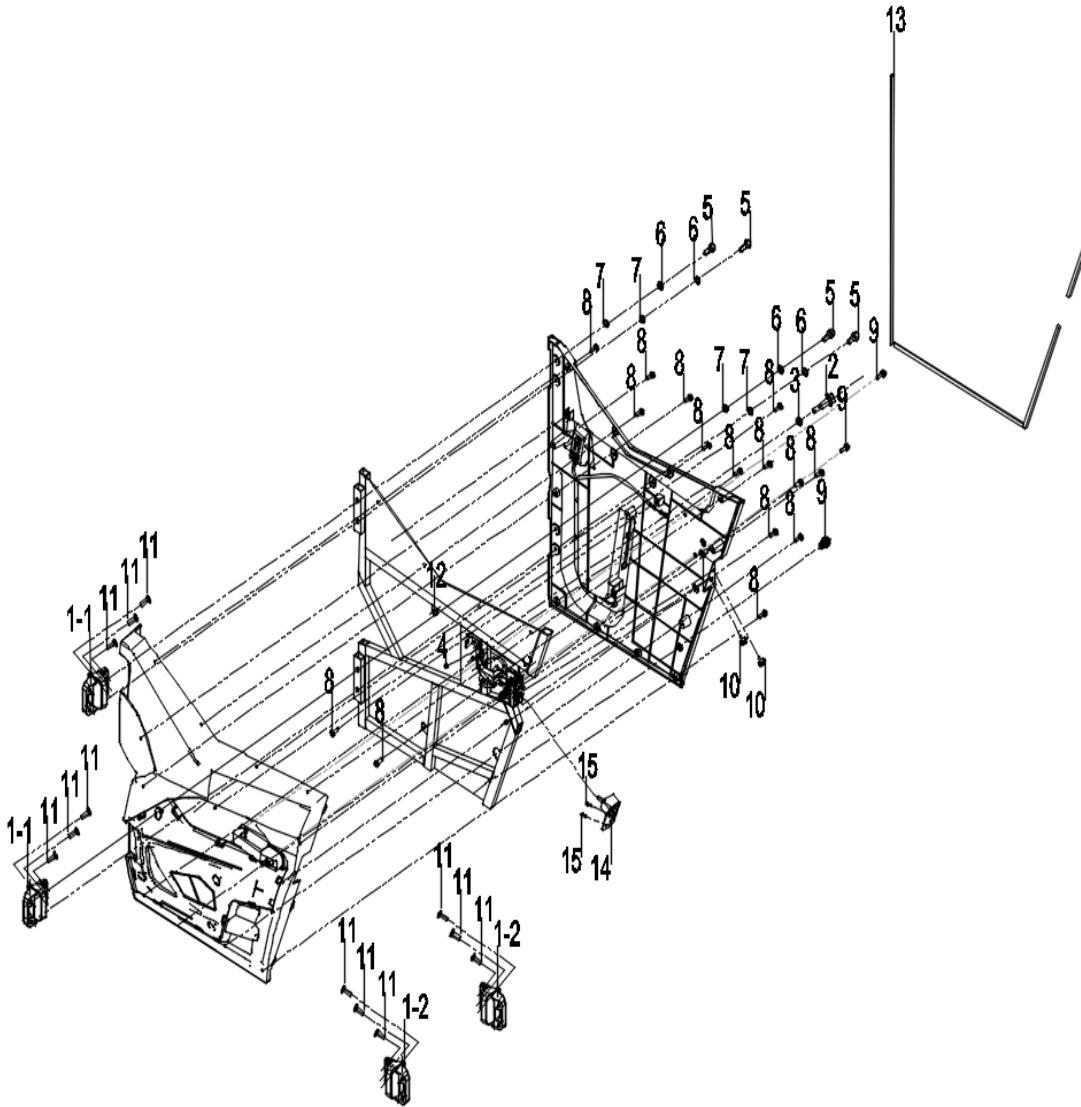
Bighorn 550 B/DX/DXH PARTS LIST

44-3. OUTER DOOR PANEL[Bighorn 550 DX]

NO.	PART NAME	PART NO.	QUANTITY
1-1	Outer door panel,L	3MU7312000	1
1-2	Outer door panel,R	3MU7322000	1
2-1-1	Door trim panel,L (American Red)	3MU73140041	1
2-1-2	Door trim panel,L (Camouflage 3)	3MU73140085	1
2-1-3	Door trim panel,L (Lucky green)	3MU73140065	1
2-1-4	Door trim panel,L (Camouflage 2)	3MU73140083	1
2-1-5	Door trim panel,L (Sapphire)	3MU73140072	1
2-1-6	Door trim panel,L (Army green)	3MU73140063	1
2-1-7	Door trim panel,L (matte black)	3MU73140012	1
2-1-8	Door trim panel,L (Camouflage 4)	3MU73140086	1
2-2-1	Door trim panel,R (American Red)	3MU73240041	1
2-2-2	Door trim panel,R (Camouflage 3)	3MU73240085	1
2-2-3	Door trim panel,R (Lucky green)	3MU73240065	1
2-2-4	Door trim panel,R (Camouflage 2)	3MU73240083	1
2-2-5	Door trim panel,R (Sapphire)	3MU73240072	1
2-2-6	Door trim panel,R (Army green)	3MU73240063	1
2-2-7	Door trim panel,R (matte black)	3MU73240012	1
2-2-8	Door trim panel,R (Camouflage 4)	3MU73240086	1
3-1	Door lock handle	3MU7317100	2
3-2	Door lock handle,R	3MU7327100	4
4-1	Door handle bracket,L	3MU731e000	1
4-2	Door handle bracket,R	3MU731f000	1
5	Bolt M6×20(GB/T 5789)	9275360200111300	3
6	Spring Nut ST4.8 (Q397A)	9397342000002300	13
7	Washer 6 (GB/T 97.1)	9401306000031300	3
8	Spring Washer 6 (GB/T 93)	9403306000002300	3

Bighorn 550 B/DX/DXH PARTS DIAGRAM

44-4. DOOR BODY ACCESSORIES[Bighorn 550 DX]



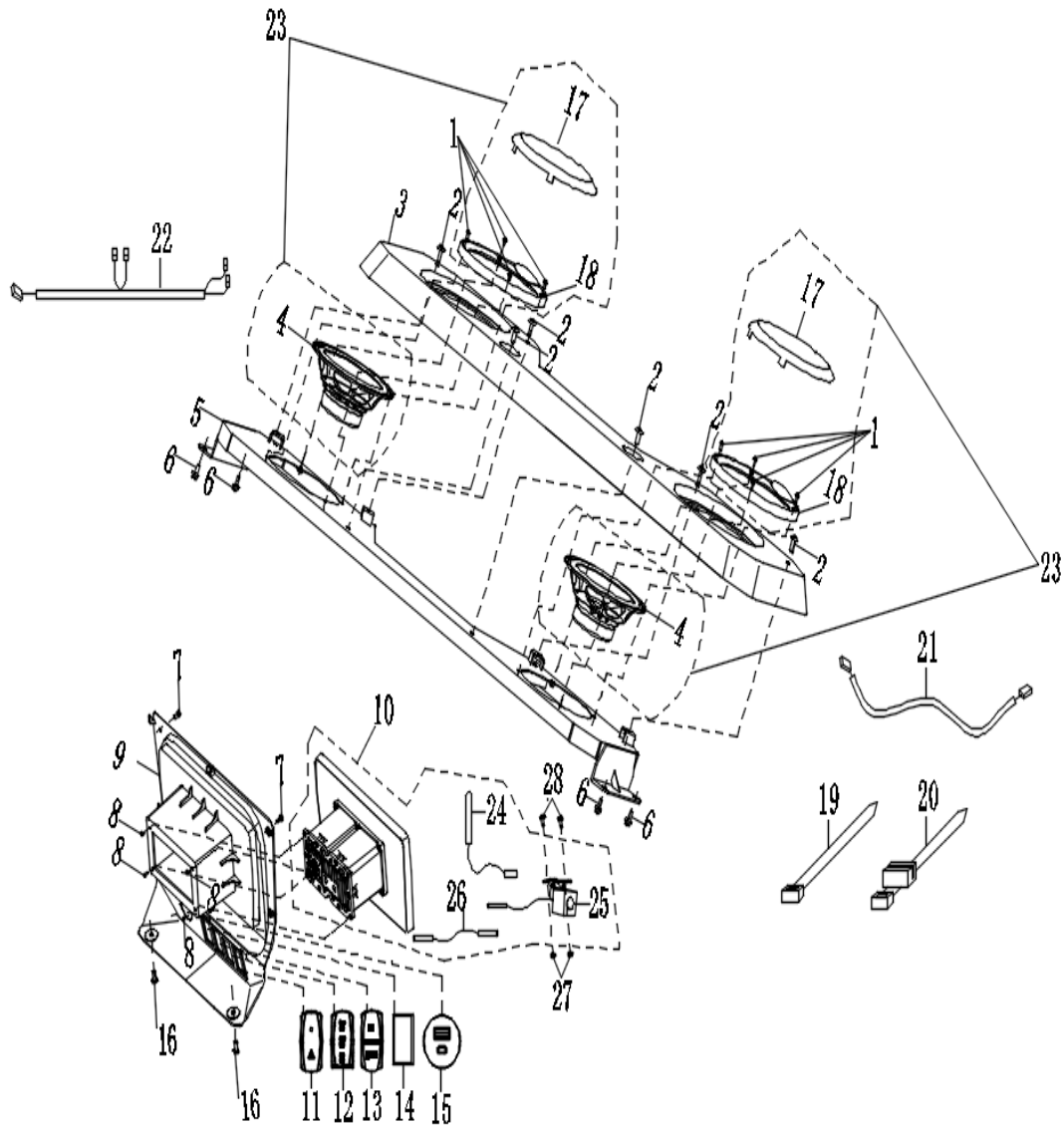
Bighorn 550 B/DX/DXH PARTS LIST

44-4. DOOR BODY ACCESSORIES[Bighorn 550 DX]

NO.	PART NAME	PART NO.	QUANTITY
1-1	Door Hinge Assy,L	3MUX733100	2
1-2	Door Hinge Assy,R	3MUX733200	2
2	Removable hood lock step bolt	3MU5646000	1
3	Washer 6 (GB/T 97.1)	9401306000031300	1
4	Nut M6 (GB/T 6187.1)	9330306010141300	1
5	Bolt M8×55(GB/T 70.1)	9.18631E+15	4
6	Washer 8 (GB/T 97.1)	9401308000031300	4
7	Spirng washer 8 (GB/T 93)	9403108000000000	4
8	Screw ST4.8×16 (GB/T 845)	9271348160006300	15
9	Combined screw with gasketM6×16(GB/T 9074.19.14031E+15	9.14031E+15	3
10	Bolt M6×16(GB/T973)	9275360160111300	2
11	Bolt M8×25 (GB/T 70.3)	9.21931E+15	6
12	Tie (L=4×200)	9928042000000000	1
13	Side door seal strip(D2)	3MU7315200	1
14-1	Latch(left)	3MU7335000	1
14-2	Latch(right)	3MU7334000	1
15	Bolt M8×25(GB/T 70.1)	9.21831E+15	2

Bighorn 550 B/DX/DXH PARTS DIAGRAM

45. MULTIMEDIA[Bighorn 550 DXH]



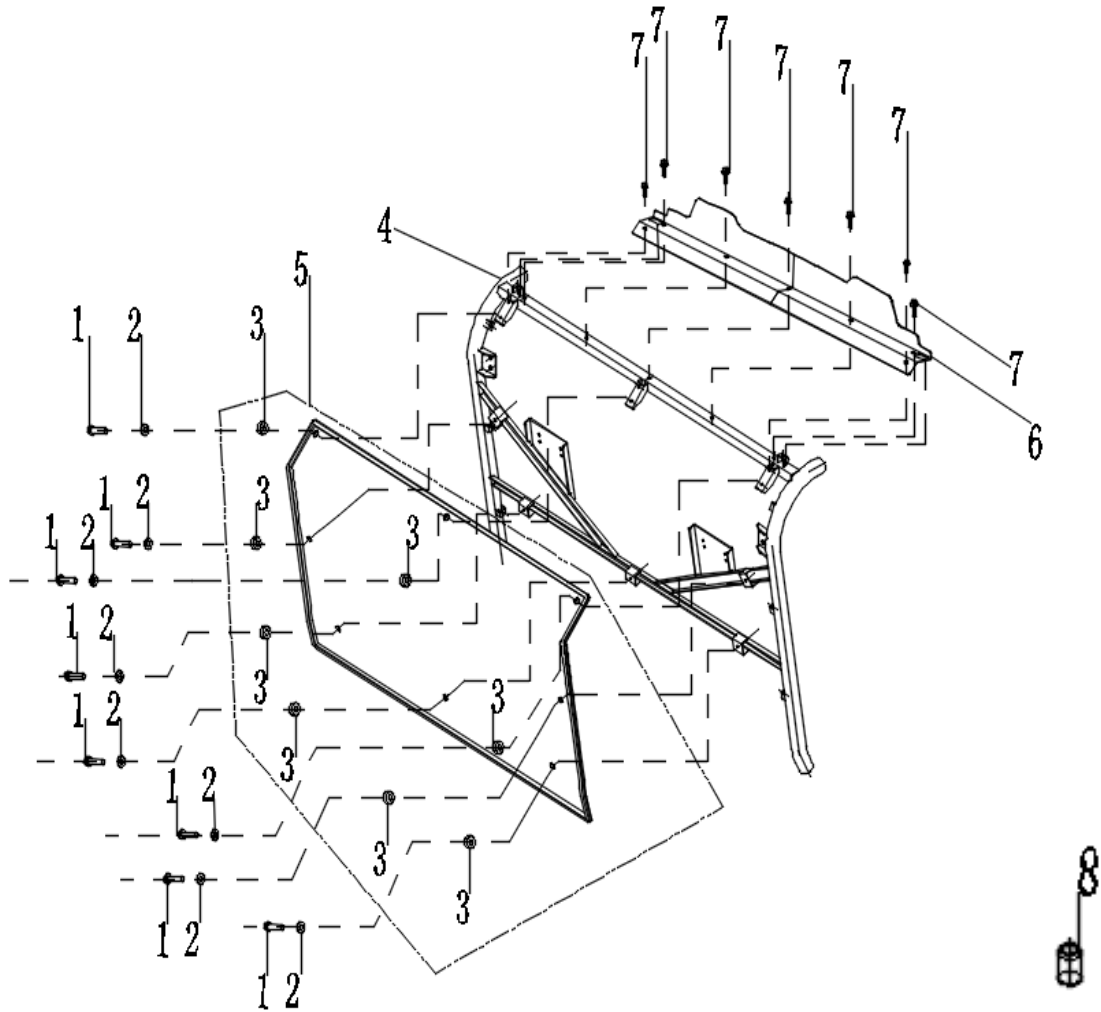
Bighorn 550 B/DX/DXH PARTS LIST

45. MULTIMEDIA[Bighorn 550 DXH]

NO.	PART NAME	PART NO.	QUANTITY
1	Bolt M4×25(GB/T 818)	9214340250001300	8
2	Bolt M6×16(GB/T 973)	9275360160111301	6
3	Sound mounting hood	3MU7283400	1
4	Audio body	3MUX728311	2
5	Audio mounting bracket	3MU7283300	1
6	Bolt M6×16(GB/T 5789)	9186306016166300	4
7	Bolt ST4.8×16(GB/T 845)	9271348160006300	2
8	Bolt M5×16(GB/T 818)	9214350160011300	4
9	Large screen installation box	3MU7281200	1
10	Multimedia large screen	3MU7284100	1
11	Emergency switch	3MU8054000	1
12	4WD combination switch	3MU8058000	1
13	Rear differential lock switch	3MU8055000	1
14	Switch cover	1MU6014500	1
15	USB port	3MU7283500	1
16	Bolt M3×16(GB/T 818)	9214330160011300	2
17	Audio mesh	3MUX728313	1
18	Audio decoration cover	3MUX728312	1
19	Tie (L=4×200)	9.92804E+15	20
20	Clip-on tape	3MU7283700	4
21	Ceiling power cord	3MU7254000	1
22	Audio Cable	3MU7283200	1
23	sound	3MU7283100	2
24	Radio antenna	3MU7282300	1
25	Camera	3MU7282100	1
26	Camera wire	3MU7282200	1
27	Nut M3 (GB/T6170)	9340303005241300	2
28	Bolt M3×16 (GB/T 5789)	9214330160011300	2

Bighorn 550 B/DX/DXH PARTS DIAGRAM

46. WINDSHIELD



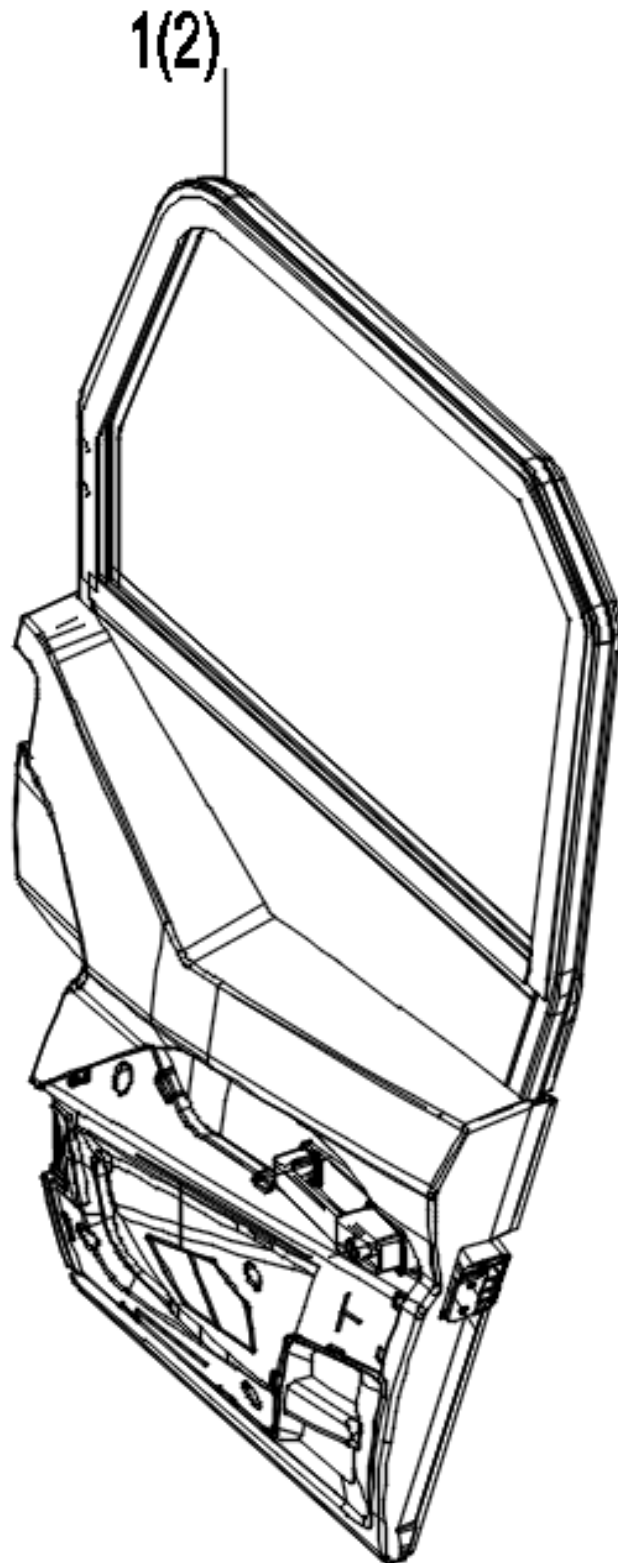
Bighorn 550 B/DX/DXH PARTS LIST

46. WINDSHIELD

NO.	PART NAME	PART NO.	QUANTITY
1	Bolt M6×25 (GB/T 5789)	9186306025161300	8
2	Washer 6 (GB/T 96.1)	9402306000031300	8
3	Roof rubber	3MU7362100	8
4	Roof Frame, Rear	3MU7355000	1
5	Rear windshield assembly	3MU7362000	1
6	ROP rear upper baffle	3MU7352000	1
7	Bolt M6×16 (GB/T 5789)	9.18631E+15	7
8	bushing	3MU7362200	8

Bighorn 550 B/DX/DXH PARTS DIAGRAM

47. WHOLE DOOR ASSY[Bighorn 550 DXH]



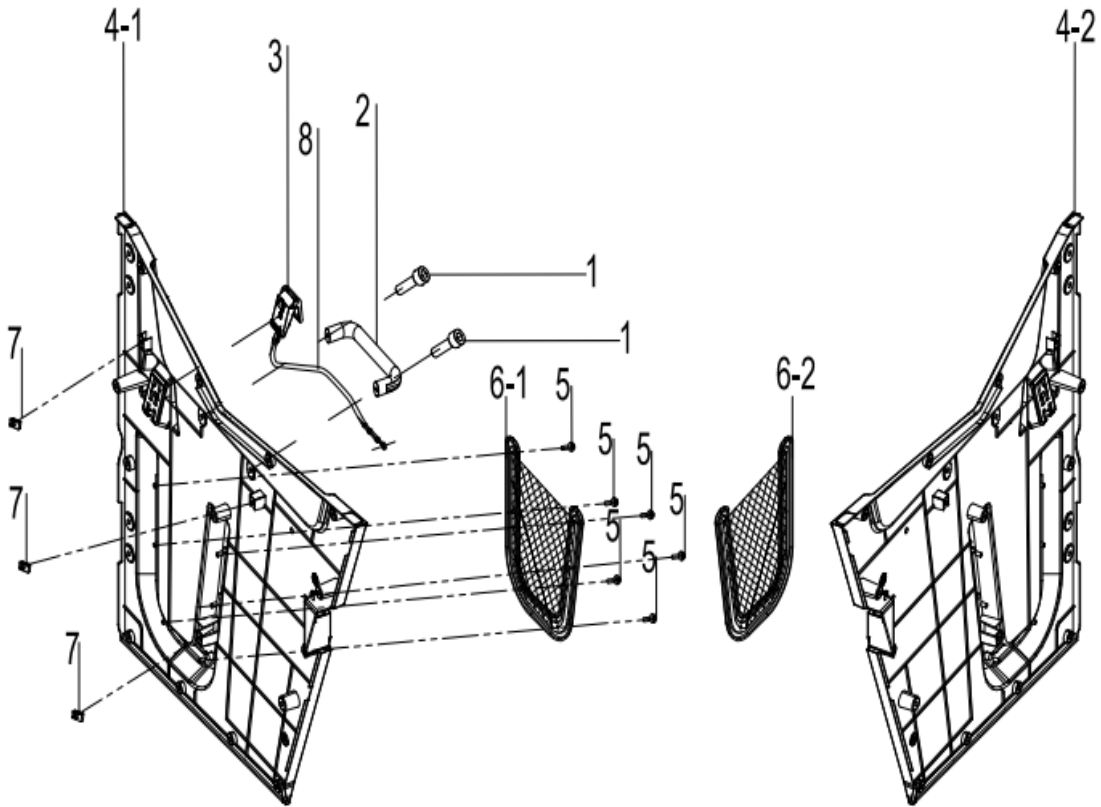
Bighorn 550 B/DX/DXH PARTS LIST

47. WHOLE DOOR ASSY[Bighorn 550 DXH]

NO.	PART NAME	PART NO.	QUANTITY
1	Whole door Assy, L	3MU7310000	1
2	Whole door Assy, R	3MU7320000	1

Bighorn 550 B/DX/DXH PARTS DIAGRAM

47-1. INNER DOOR PANEL[Bighorn 550 DXH]



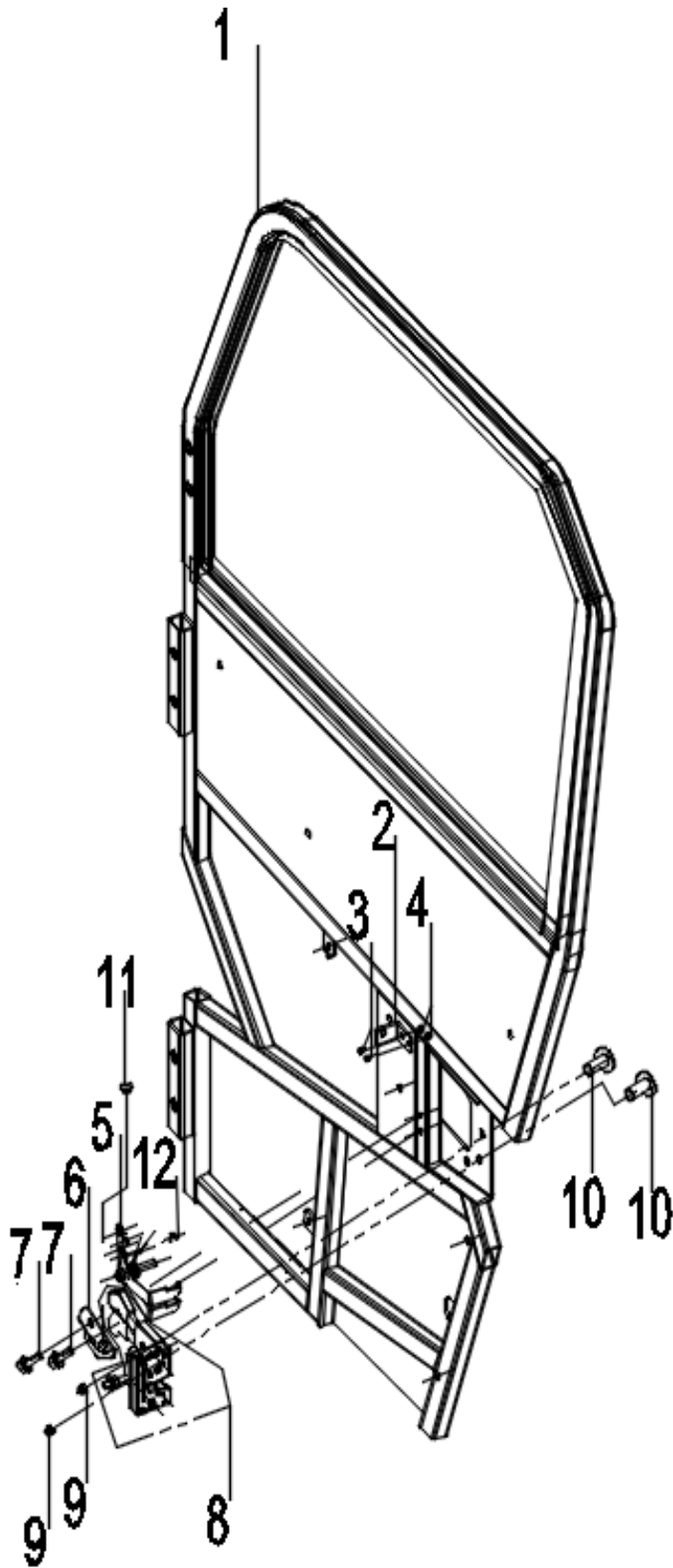
Bighorn 550 B/DX/DXH PARTS LIST

47-1. INNER DOOR PANEL[Bighorn 550 DXH]

NO.	PART NAME	PART NO.	QUANTITY
1	Bolt M6×20 (GB/T 70.1)	9.21831E+15	2
2	Handle	3MU7356000	1
3	Removable hood lock swtich	3MU5647000	1
4-1	Inner door panel, L	3MU7313000	1
4-2	Inner door panel, R	3MU7323000	1
5	Bolt M4×12(GB/T 818)	9214340120001300	1
6-1	Net pocket Assy, L	3MUX731c00	1
6-2	Net pocket Assy, R	3MUX731d00	1
7	Spring Nut ST4.8 (Q397A)	9397342000002300	3
8	Unlock the inner door pull wire	3MU7318000	1

Bighorn 550 B/DX/DXH PARTS DIAGRAM

47-2. WHOLE DOOR FRAME[Bighorn 550 DXH]



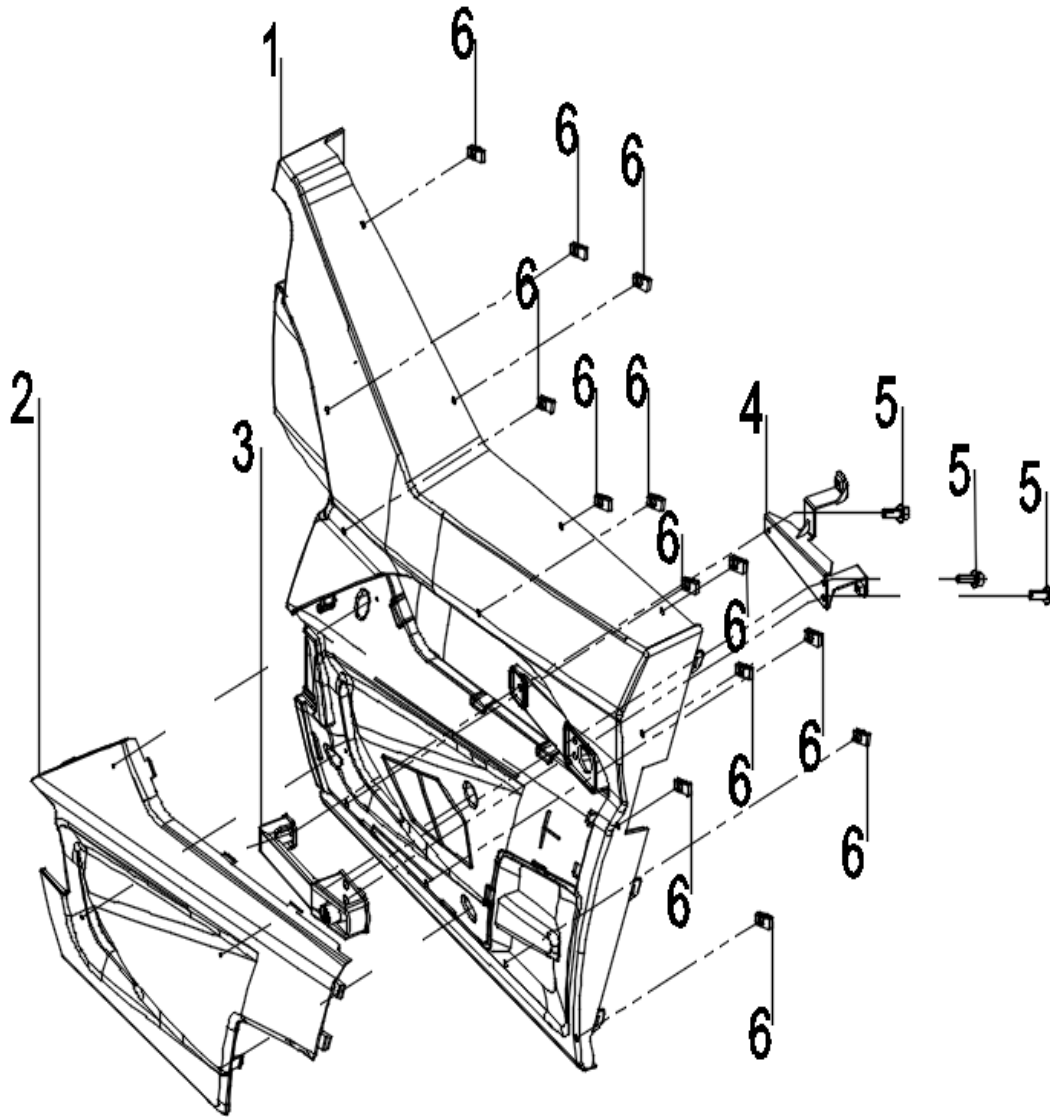
Bighorn 550 B/DX/DXH PARTS LIST

47-2. WHOLE DOOR FRAME[Bighorn 550 DXH]

NO.	PART NAME	PART NO.	QUANTITY
1-1	Door Frame, R	3MU7321000	1
1-2	Door Frame, L	3MU7311000	1
2-1	Inner door cable mounting plate , L	3MU7319300	1
2-2	Inner door cable mounting plate , R	3MU731A300	1
3	Bolt M4×12(GB/T 818)	9214340120001300	2
4	Nut M4 (GB/T 6170)	9.3403E+15	2
5-1	Inner door lever support ,L	3MU7319200	1
5-2	Inner door lever support ,R	3MU731a200	1
6-1	Internal door unlocking paddle,L	3MU7319100	1
6-2	Internal door unlocking paddle, R	3MU731a100	1
7	Bolt M6×16(GB/T 5789)	9186306016166300	1
8-1	Door lock assembly, L	3MU7317000	1
8-2	Door lock assembly, R	3MU7327000	1
9	Nut M6 (GB/T 6177.1)	9320306010202300	2
10	Screw M6×20 (GB/T 973)	9275360250111300	2
11	Long container cover plate cushioning rubber	2MG5031000	1
12-1	GB/T 896 6 Open retaining ring (left)	9.43611E+15	1
12-2	GB/T 896 6 Open retaining ring (right)	9.43611E+15	1

Bighorn 550 B/DX/DXH PARTS DIAGRAM

47-3. OUTER DOOR PANEL[Bighorn 550 DXH]



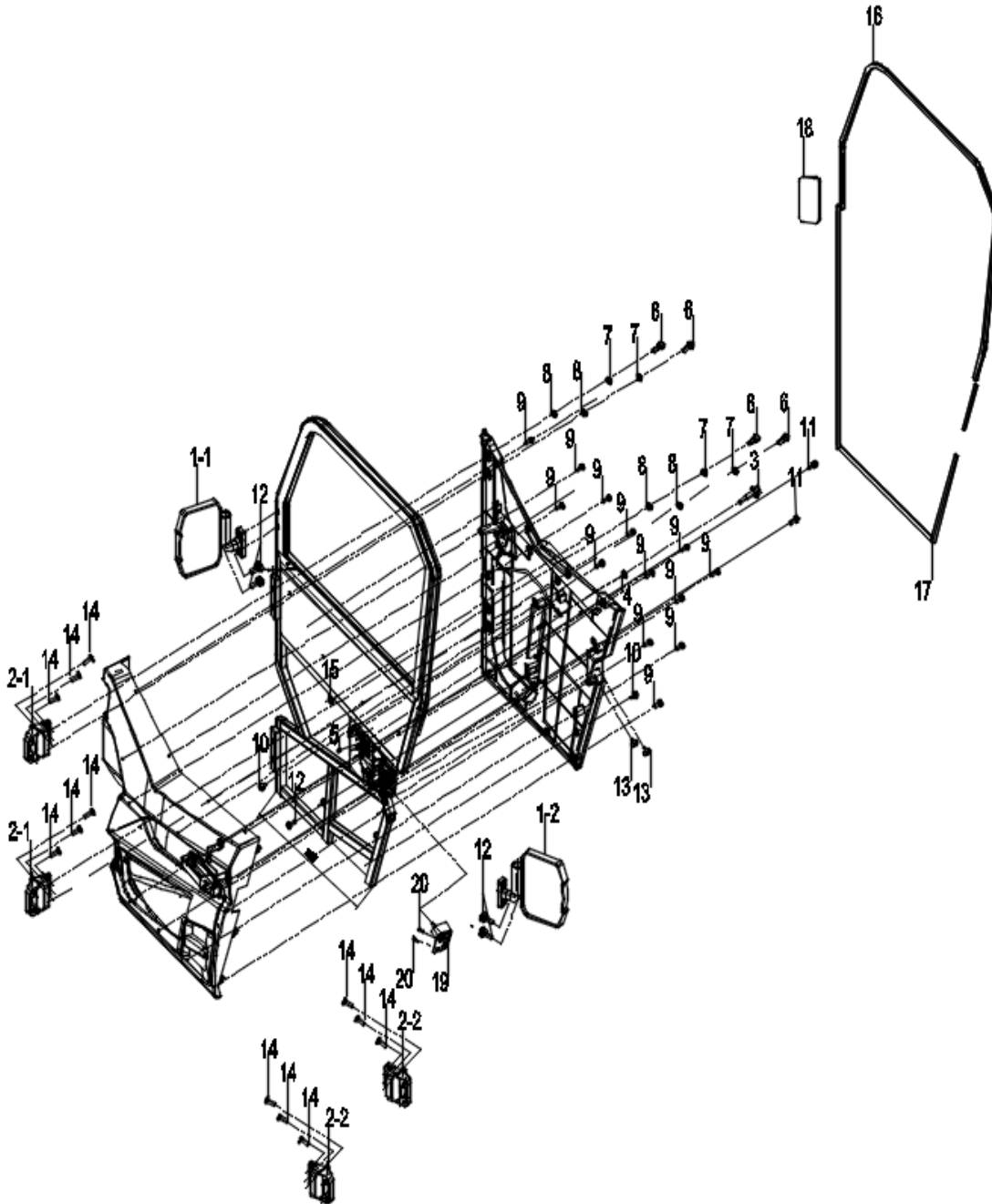
Bighorn 550 B/DX/DXH PARTS LIST

47-3. OUTER DOOR PANEL[Bighorn 550 DXH]

NO.	PART NAME	PART NO.	QUANTITY
1-1	Outer door panel,L	3MU7312000	1
1-2	Outer door panel,R	3MU7322000	1
2-1-1	Door trim panel,L (American Red)	3MU73140041	1
2-1-2	Door trim panel,L (Camouflage 3)	3MU73140085	1
2-1-3	Door trim panel,L (Lucky green)	3MU73140065	1
2-1-4	Door trim panel,L (Camouflage 2)	3MU73140083	1
2-1-5	Door trim panel,L (Sapphire)	3MU73140072	1
2-1-6	Door trim panel,L (Army green)	3MU73140063	1
2-1-7	Door trim panel,L (matte black)	3MU73140012	1
2-2-1	Door trim panel,R (American Red)	3MU73240041	1
2-2-2	Door trim panel,R (Camouflage 3)	3MU73240085	1
2-2-3	Door trim panel,R (Lucky green)	3MU73240065	1
2-2-4	Door trim panel,R (Camouflage 2)	3MU73240083	1
2-2-5	Door trim panel,R (Sapphire)	3MU73240072	1
2-2-6	Door trim panel,R (Army green)	3MU73240063	1
2-2-7	Door trim panel,R (matte black)	3MU73240012	1
3-1	Door lock handle	3MU7317100	2
3-2	Door lock handle,R	3MU7327100	4
4-1	Door handle bracket,L	3MU731e000	1
4-2	Door handle bracket,R	3MU731f000	1
5	Bolt M6×25(GB/T 5789)	9275360250111300	3
6	Spring Nut ST4.8 (Q397A)	9397342000002300	13

Bighorn 550 B/DX/DXH PARTS DIAGRAM

47-4. DOOR BODY FITTINGS[Bighorn 550 DXH]



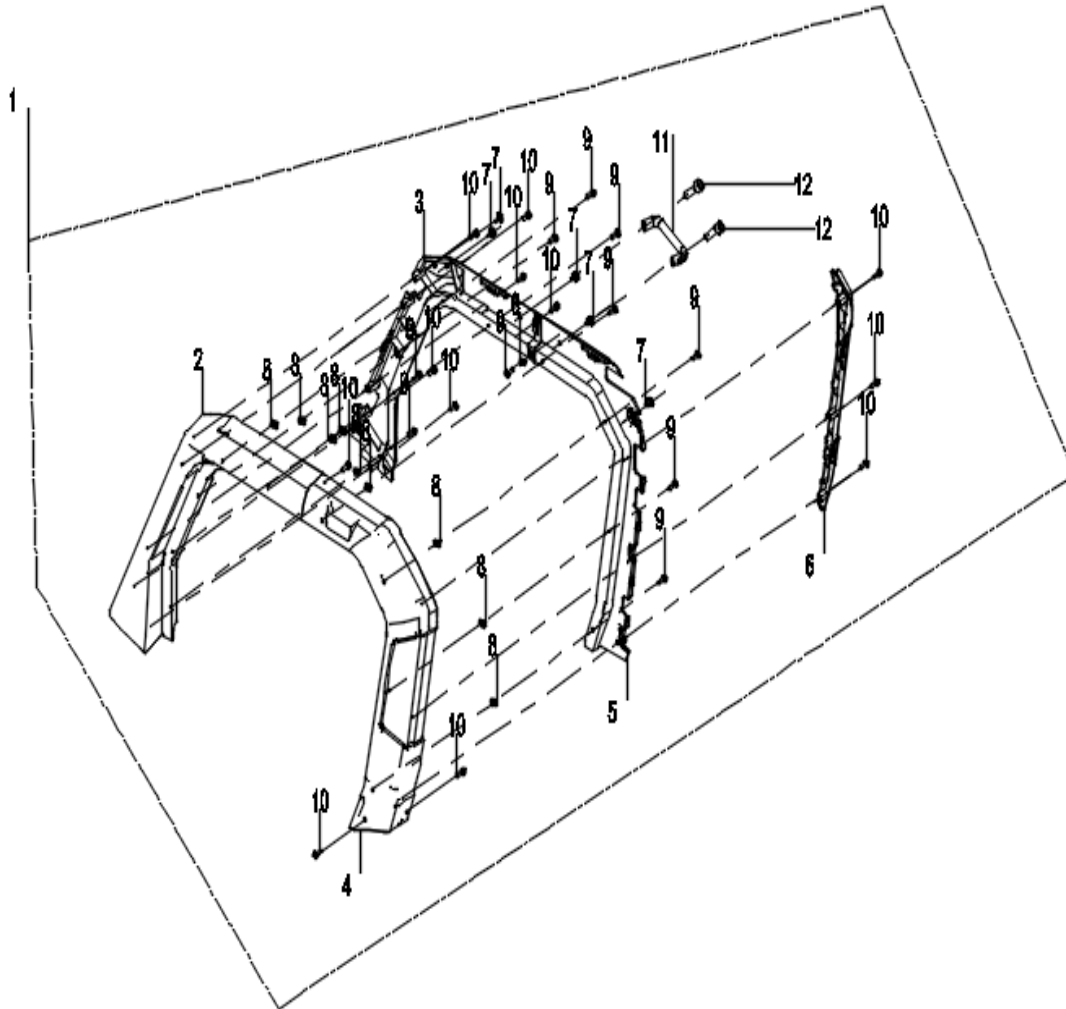
Bighorn 550 B/DX/DXH PARTS LIST

47-4. DOOR BODY FITTINGS[Bighorn 550 DXH]

NO.	PART NAME	PART NO.	QUANTITY
1-1	Left rearview mirror Assembly	3MU7022000	1
1-2	Right rearview mirror Assembly	3MU7021000	1
2-1	Door Hinge Assy,L	3MUX733100	2
2-2	Door Hinge Assy,R	3MUX733200	2
3	Removable hood lock step bolt	3MU5646000	1
4	Washer 6 (GB/T 97.1)	9401306000031300	1
5	Nut M6 (GB/T 6187.1)	9330306010141300	1
6	Bolt M8×20(GB/T 70.1)	9.18631E+15	4
7	Washer 8 (GB/T 97.1)	9401308000031300	4
8	Spring washer 8 (GB/T 93)	9403108000000000	4
9	Spring Nut ST4.8 (Q397A)	9.39734E+15	13
10	Bolt M6×25(GB/ 973)	9.27536E+15	1
11	Bolt M6×25(GB/T 5789)	9186306025161300	2
12	Bolt M8×20 (GB/T 70.1)	9.21831E+15	4
13	Screw M6×16 (GB/T 973)	9.27536E+15	2
14	Bolt M8×25 (GB/T 70.3)	9.21931E+15	6
15	Tie (L=4×200)	9928042000000000	1
16	Side door seal strip(D1)	3MU7315100	1
17	Side door seal strip(D2)	3MU7315200	1
18	Sanxin cushion	1MU6180100	1
19-1	Latch(left)	3MU7335000	1
19-2	Latch(right)	3MU7334000	1
20	Bolt M8×20(GB/T 70.3)	9.21931E+15	2

Bighorn 550 B/DX/DXH PARTS DIAGRAM

48. ROP SHEATH ASSEMBLY[Bighorn 550 DXH]



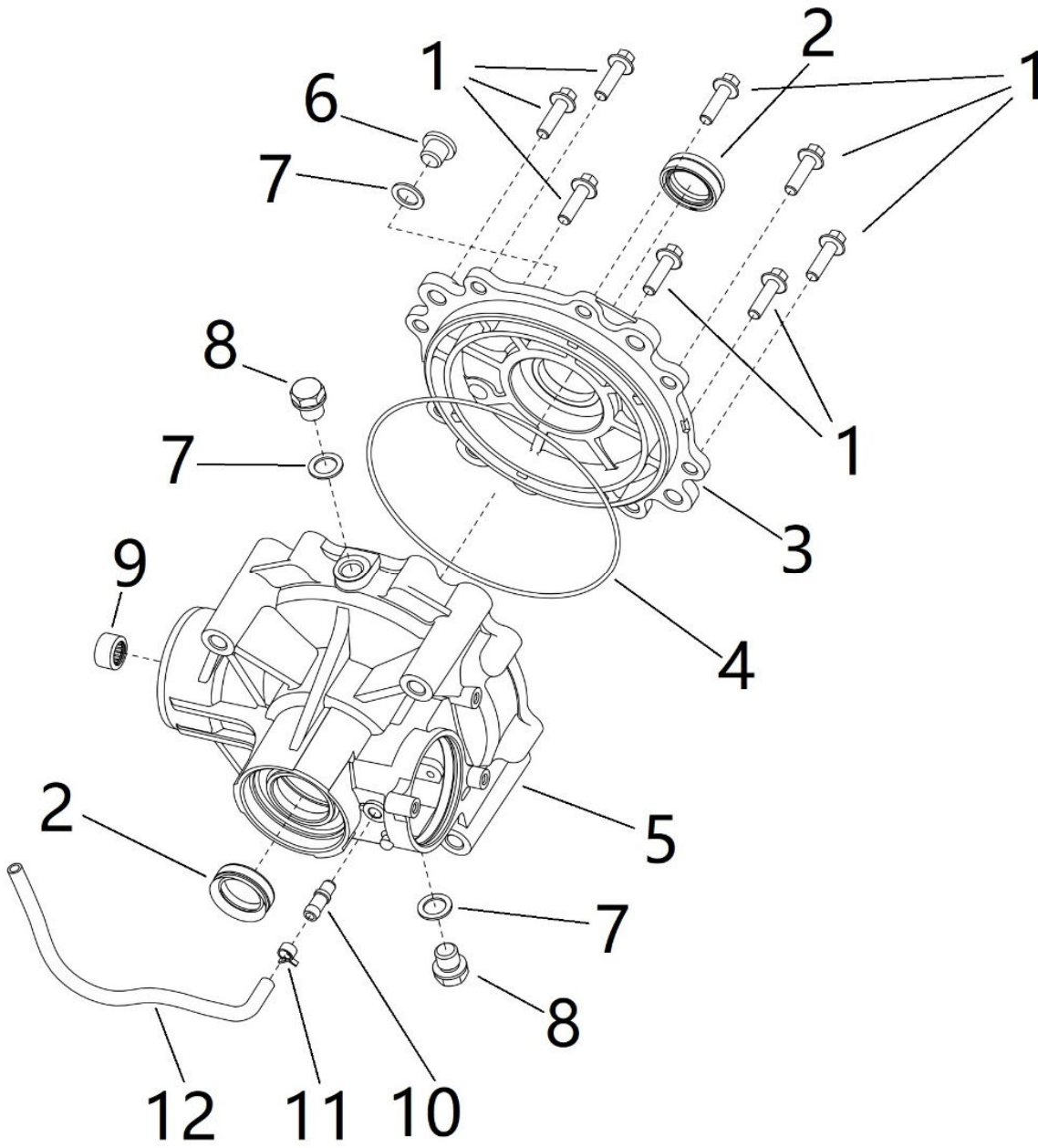
Bighorn 550 B/DX/DXH PARTS LIST

48. ROP SHEATH ASSEMBLY[Bighorn 550 DXH]

NO.	PART NAME	PART NO.	QUANTITY
1	ROP sheath assembly	3MUX734100	1
2-1	ROP cover, FL (outside)	3MU7341100	1
2-2	ROP cover, FR (outside)	3MU7342100	1
3-1	ROP cover, FL (inside)	3MU7341300	1
3-2	ROP cover, FR (inside)	3MU7342300	1
4-1	ROP cover, RL (outside)	3MU7341200	1
4-2	ROP cover, RR (outside)	3MU7342200	1
5-1	ROP cover, RL (inside)	3MU7341400	1
5-2	ROP cover, RR (inside)	3MU7342400	1
6-1	ROP left rear wrap bar clamp	3MU7341500	1
6-2	ROP right rear cover bar clamp	3MU7342500	1
7	Screw M6×16 (GB/T 973)	9275360160111300	10
8	Spring Nut ST4.2 (Q397A)	9397342000002300	20
9	Screw ST4.8×13(GB/T 845)	9271348130006300	24
10	Screw ST4.2×13 (GB/T 845)	9271342130006300	20
11	Passenger's handle	3MU7356000	1
12	Bolt M6×25 (GB/T 70.1)	9218260250100000	2

Bighorn 550 B/DX/DXH PARTS DIAGRAM

49. BOX COMPONENT



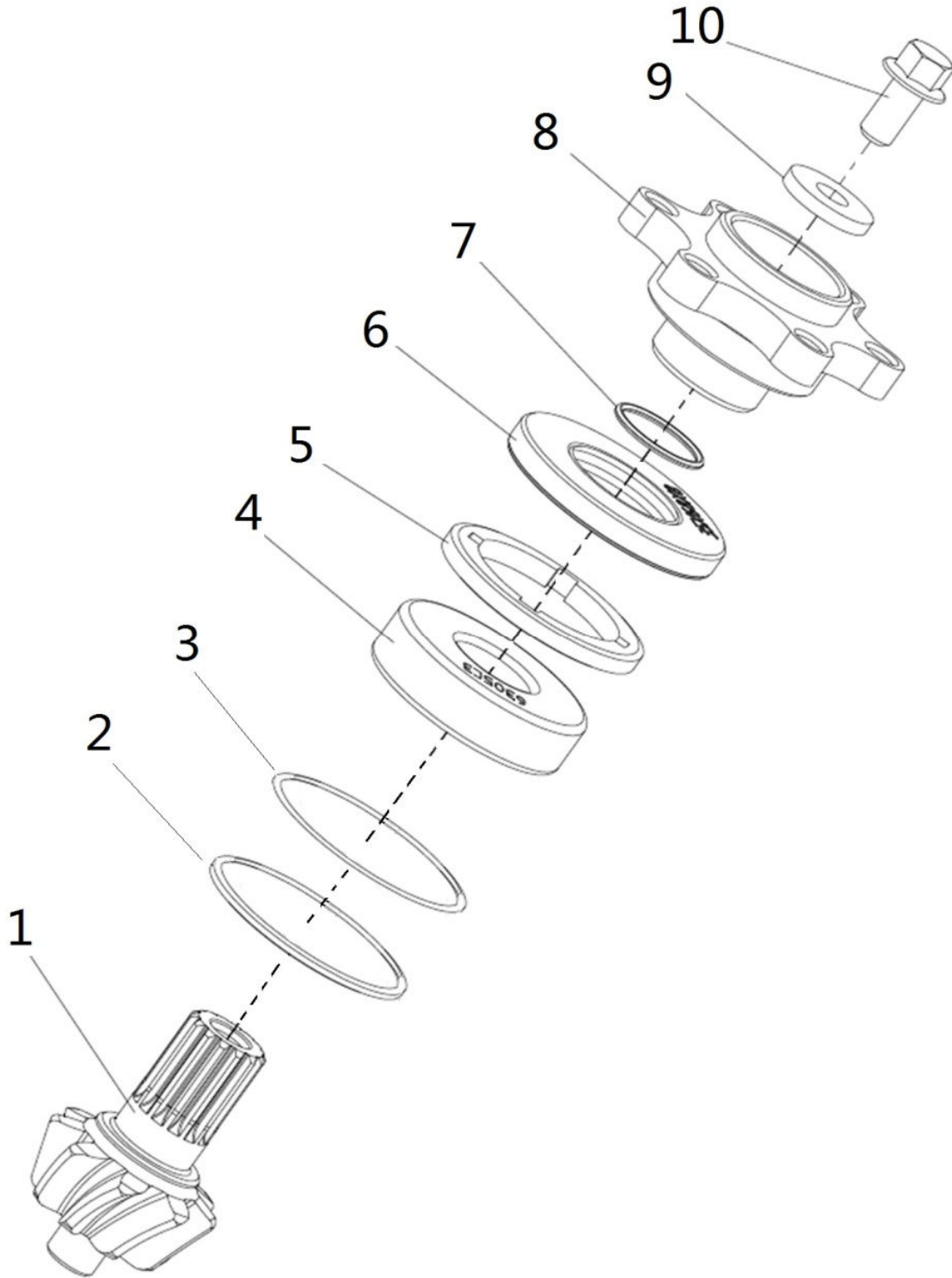
Bighorn 550 B/DX/DXH PARTS LIST

49. BOX COMPONENT

NO.	PART NAME	PART NO.	QUANTITY
1	Bolt M8×28	9184308028362300	8
2	Oil Seal 24×38×8	1MQ4611600	2
3	Front Axle Cover	1MQ4611200	1
4	O-ring 165×2.65	1MQ2381600	1
5	Front Axle Housing	1MQ4611100	1
6	Oil Port Screw M14×1.5	1MQ4611400	1
7	Copper14	1MQ4611500	3
8	Ablassschraube M14×1.5	1MQ4611300	2
9	Needle Bearing HK1512	99710HK1512	1
10	Vent ling	1ME2359800	1
11	Clamp 11	1MQ1248900	1
12	Vent tube	3MU5750100	1

Bighorn 550 B/DX/DXH PARTS DIAGRAM

50.INPUT SHAFT COMPONENT



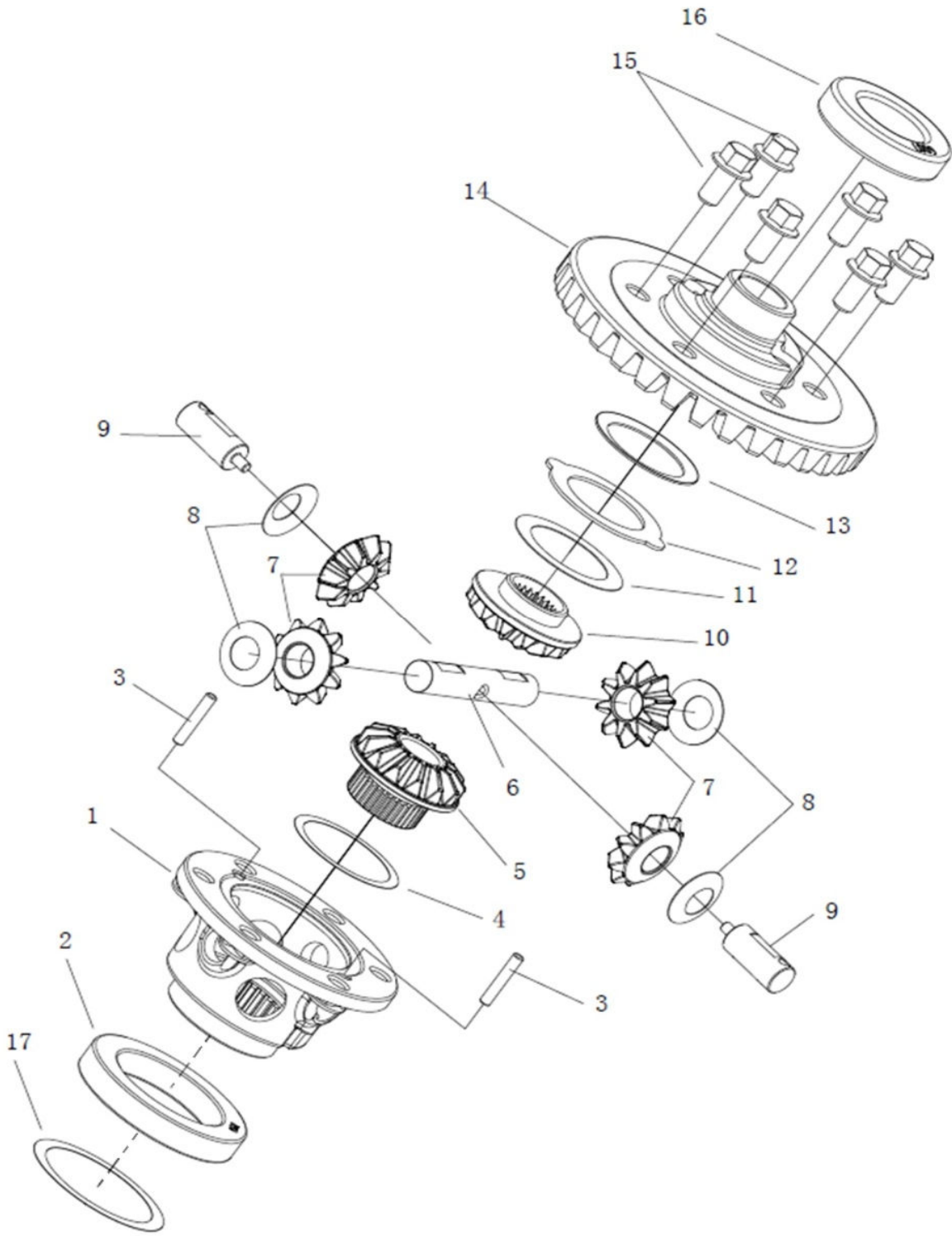
Bighorn 550 B/DX/DXH PARTS LIST

50.INPUT SHAFT COMPONENT

NO.	PART NAME	PART NO.	QUANTITY
1	Front Axle driver gear 9T	1MQ4612100	1
2	Washer 56×62×2	1MQ4612700	1
3	Adjusting washer 53×61.5	1MQ4612200	n
4	Bearing 6305C3	93306305X5	1
5	Nut M65×1.5(left-hand)	1MQ4612300	1
6	Oil Seal 35×68×8	1MQ4611800	1
7	O-ring 25×2	1MQ4612400	1
8	Front Axle	1MQ4612500	1
9	Washer 10×32×4	1MQ4612800	1
10	Flange Bolt M10×1.25×20	9186310020281300	1

Bighorn 550 B/DX/DXH PARTS DIAGRAM

51. OUTPUT SHAFT COMPONENT



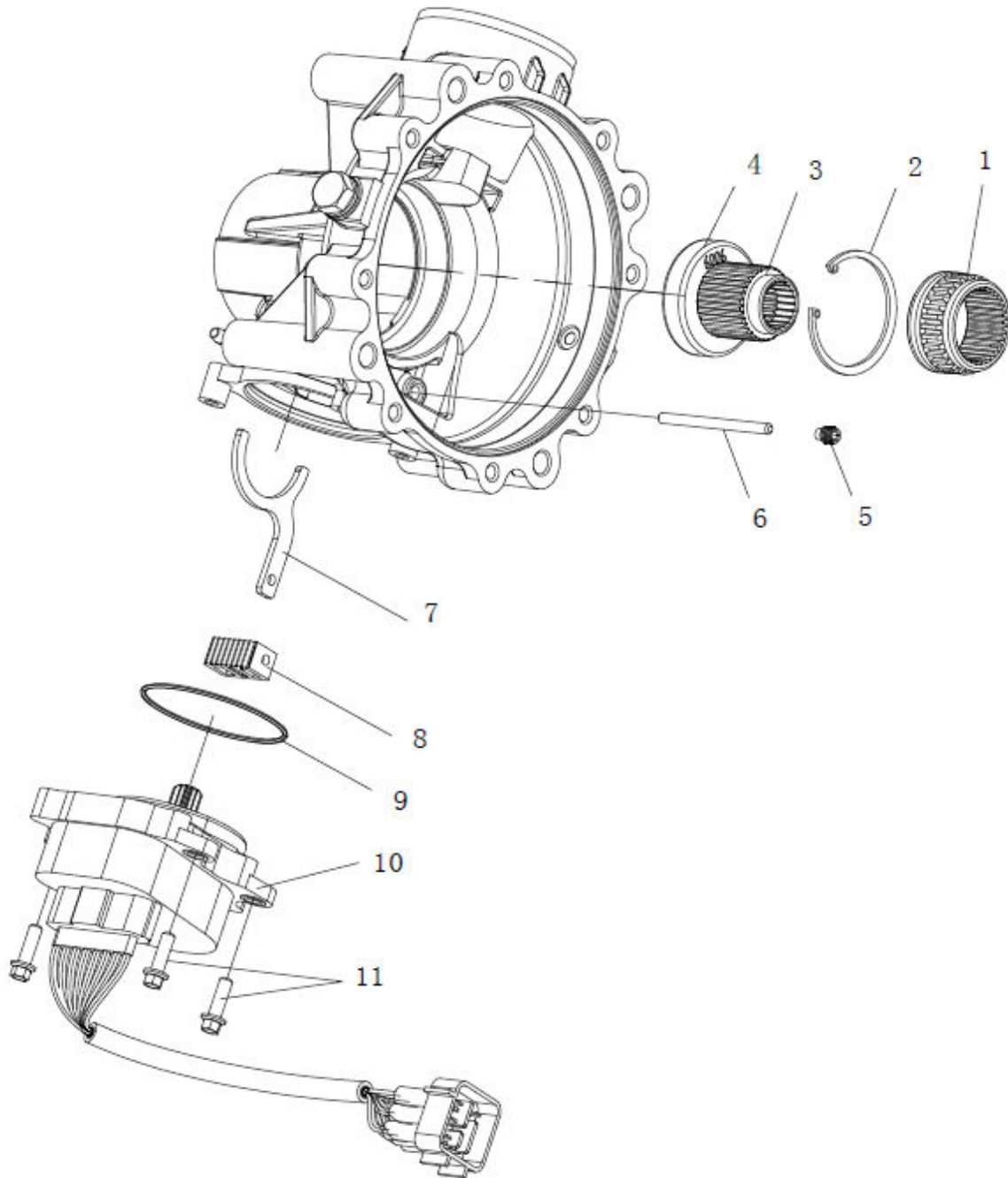
Bighorn 550 B/DX/DXH PARTS LIST

51. OUTPUT SHAFT COMPONENT

NO.	PART NAME	PART NO.	QUANTITY
1	Front diff.Case	1MQ4615100	1
2	Bearing 61911	933061911	1
3	Pin 5×28	1MQ4615600	2
4	Adjusting washer 45×54	1MQ2386500	1
5	F-Right cone gear 14T	1MQ4616300	1
6	Planetary cone Shaft (long)	1MQ4615300	1
7	Planetary cone gear 10T	1MQ4615200	4
8	Spherical Copper 15×30×0.5	1MQ4615500	4
9	Planetary cone Shaft(short)	1MQ4615400	2
10	F-Left cone-gear output sleeve	1MQ4616600	1
11	Adjusting washer 40×55.5	1MQ4616800	1
12	Stop turning washer	1MQ4616700	1
13	Cone washer 40×53×0.3	1MQ4616910	1
14	Front-Axle driven gear 33T	1MQ4616100	1
15	Flange Bolt M10×1.25×20	9186310020281300	6
16	Bearing 6007	93306007	1
17	Adjusting washer 68×79	1MQ4616500	1

Bighorn 550 B/DX/DXH PARTS DIAGRAM

52.SWITCHING MECHANISM COMPONENT



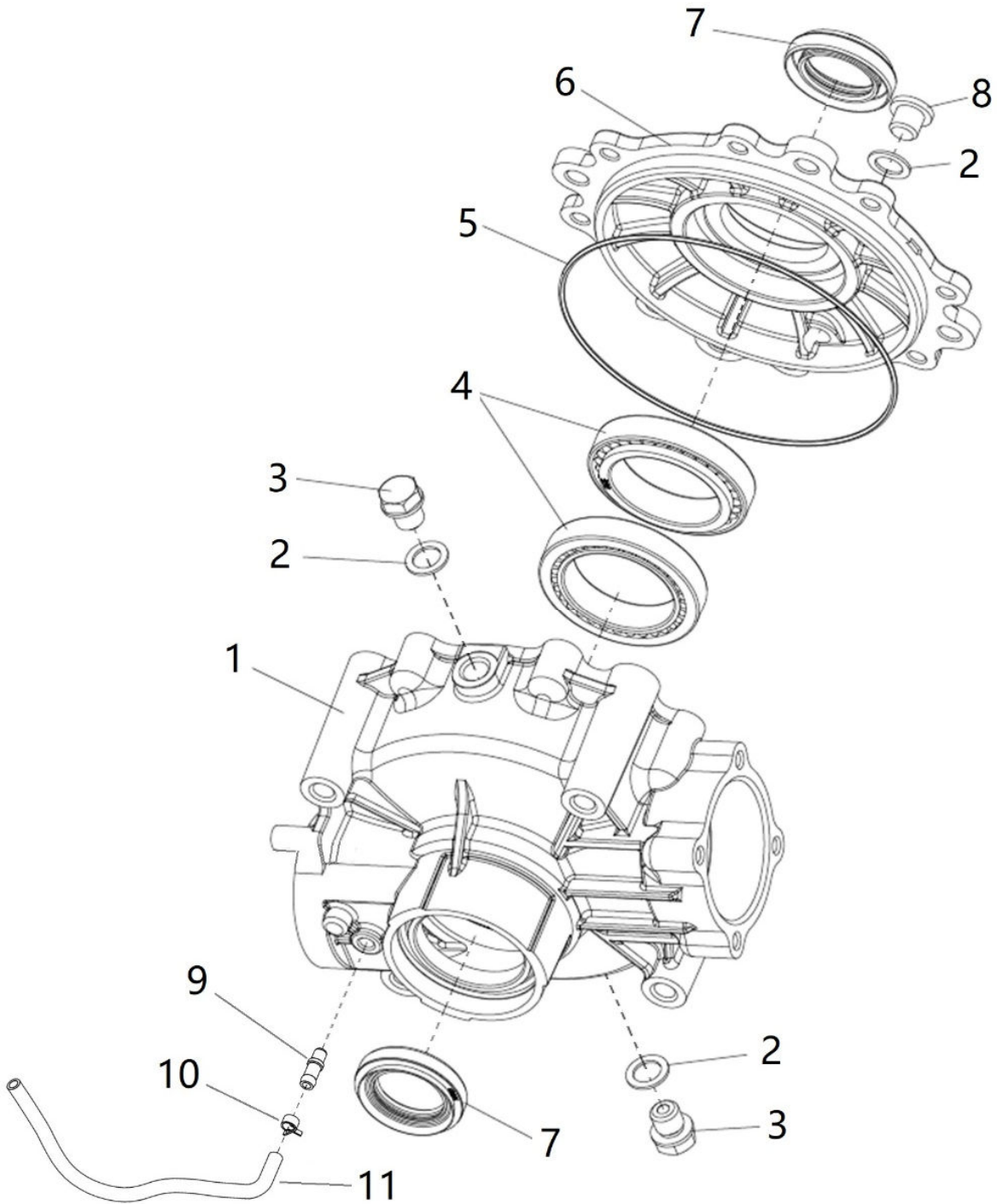
Bighorn 550 B/DX/DXH PARTS LIST

52.SWITCHING MECHANISM COMPONENT

NO.	PART NAME	PART NO.	QUANTITY
1	Front-axle Spline Sleeve	1MQ4616200	1
2	A-type elastic Ring 55	9430155000000000	1
3	F-Right Output spline	1MQ4616400	1
4	Bearing 6006	93306006	1
5	Hexagon head screw M8×10	1MQ4618600	1
6	Pin 5×68	1MQ4618500	1
7	Front-Axle Fork	1MQ4618400	1
8	Rack Spline	1MQ4618300	1
9	O-ring 68×2	1MQ4618200	1
10	Switch motor Assy.	1MQ461811001	1
11	Flange Bolt M6×20	9184306020362301	3

Bighorn 550 B/DX/DXH PARTS DIAGRAM

53. BOX COMPONENT



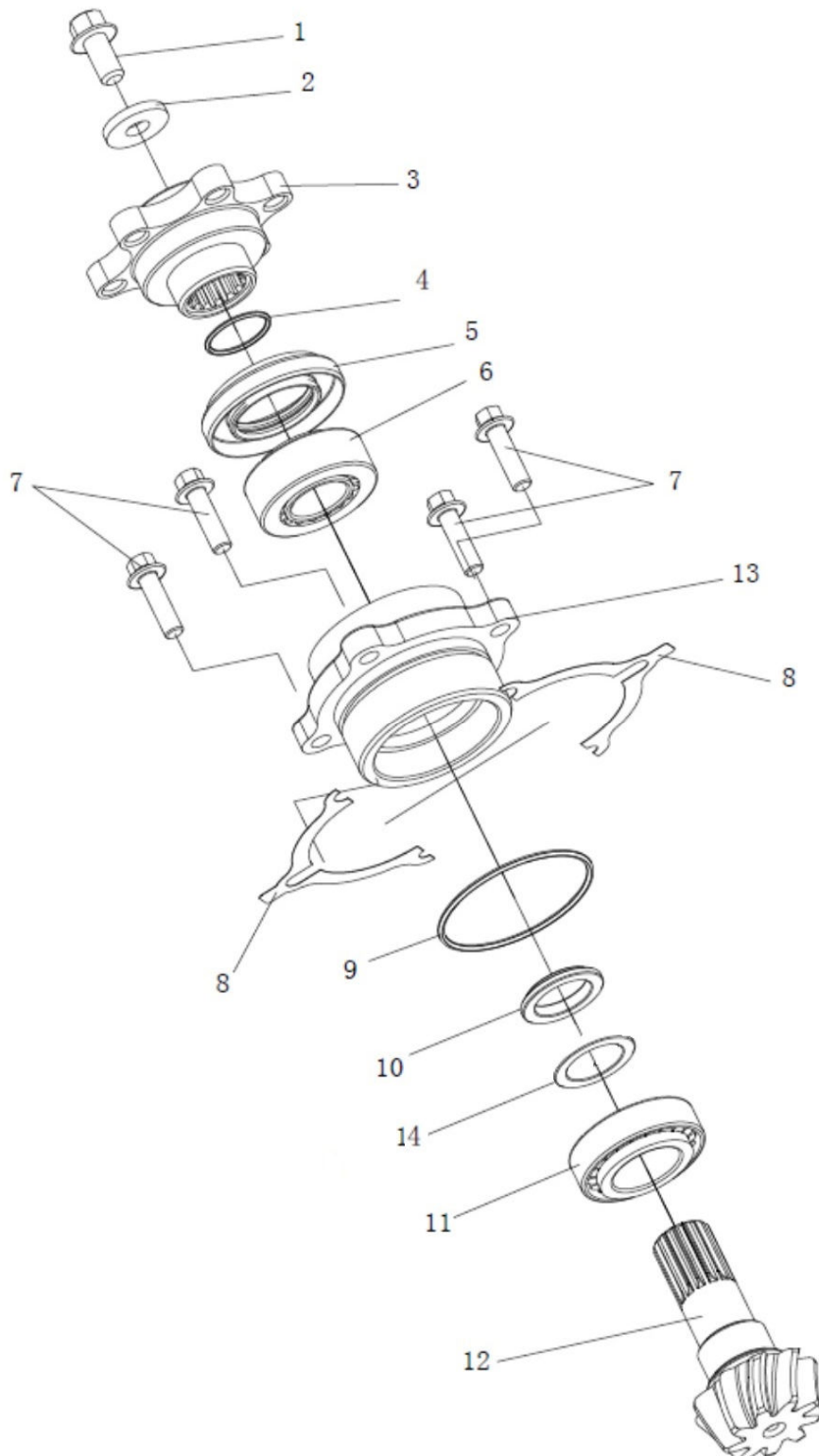
Bighorn 550 B/DX/DXH PARTS LIST

53. BOX COMPONENT

NO.	PART NAME	PART NO.	QUANTITY
1	REAR-AXLE HOUSING	1MQ2381100	1
2	Copper Washer	1MQ4611500	3
3	Bolt M14×1.5	1MQ4611300	2
4	Taper roller bearing 32911	933032911	2
5	O-ring 165×2.65	1MQ2381600	1
6	REAR-AXLE COVER	1MQ2381200	1
7	Oil seal 35×54×9/13	1MQ2381400	2
8	SCREW M14×1.5	1MQ4611400	1
9	Vent ling	1ME2359800	1
10	Clamp 11	1MQ1248900	1
11	Vent tube	3MU5750100	1

Bighorn 550 B/DX/DXH PARTS DIAGRAM

54. OUTPUT SHAFT COMPONENT



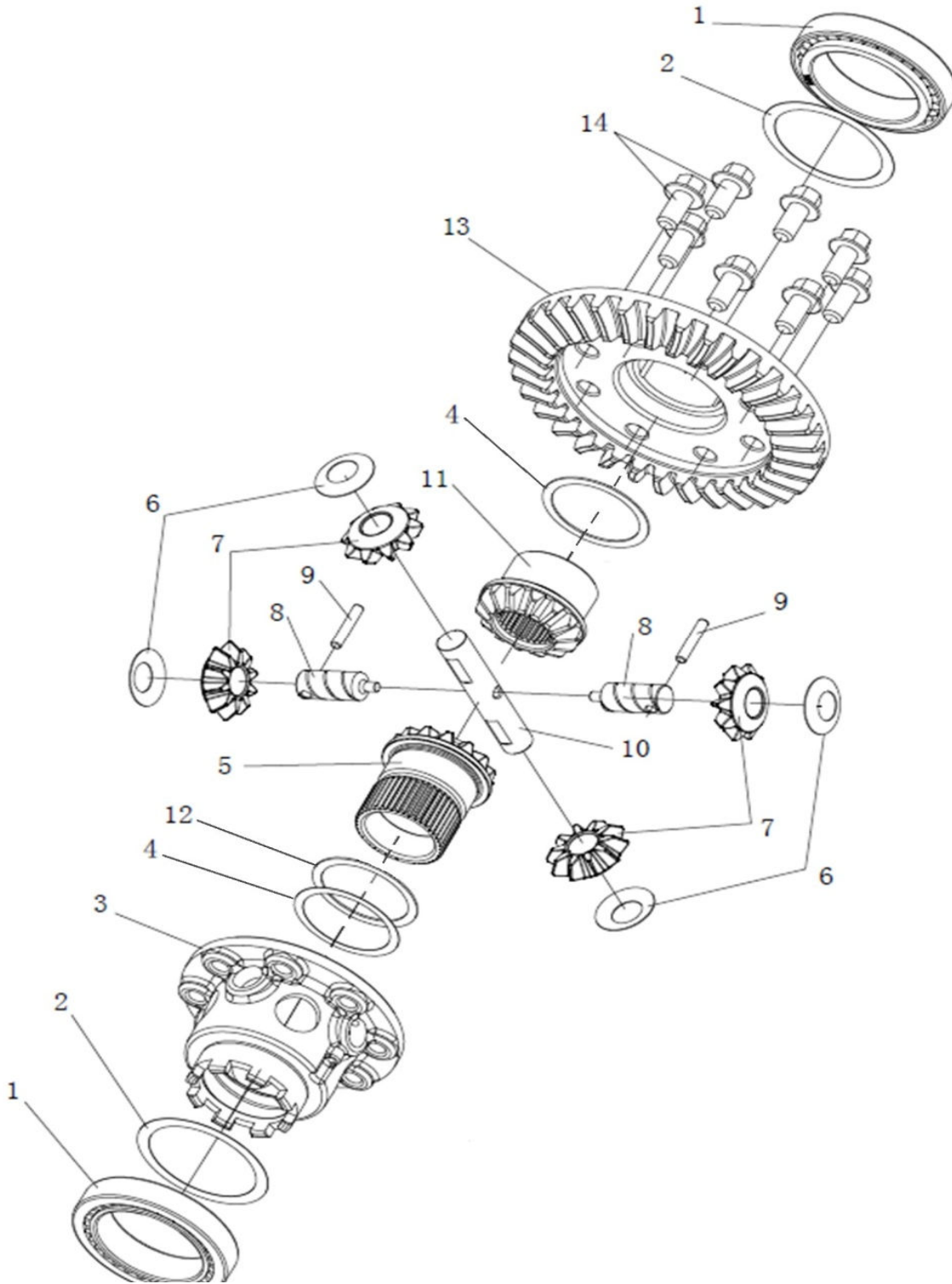
Bighorn 550 B/DX/DXH PARTS LIST

54. OUTPUT SHAFT COMPONENT

NO.	PART NAME	PART NO.	QUANTITY
1	Flange Bolt M10×1.25×20	9186310020281300	1
2	Washer 10×32×4	1MQ4612800	1
3	Rear-axle Connection Disk	1MQ2382400	1
4	O-ring 25×2	1MQ4612400	1
5	Oil Seal	1MQ2382300	1
6	Taper roller bearing 33205	933033205	1
7	Flange Bolt M8×32	9184308032361300	4
8	Adjusting washer	1MQ2381500	2
9	O-ring 63×2.5	1MQ2381800	1
10	Bushing 25	1MQ2382200	1
11	Taper roller bearing 32006X	933032006X	1
12	Rear-axle driving gear 9T	1MQ2382100	1
13	Rear-axle Front Cover	1MQ2381300	1
14	Adjusting Washer 25×36	1MQ2382500	1

Bighorn 550 B/DX/DXH PARTS DIAGRAM

55.OUTPUT SHAFT COMPONENT





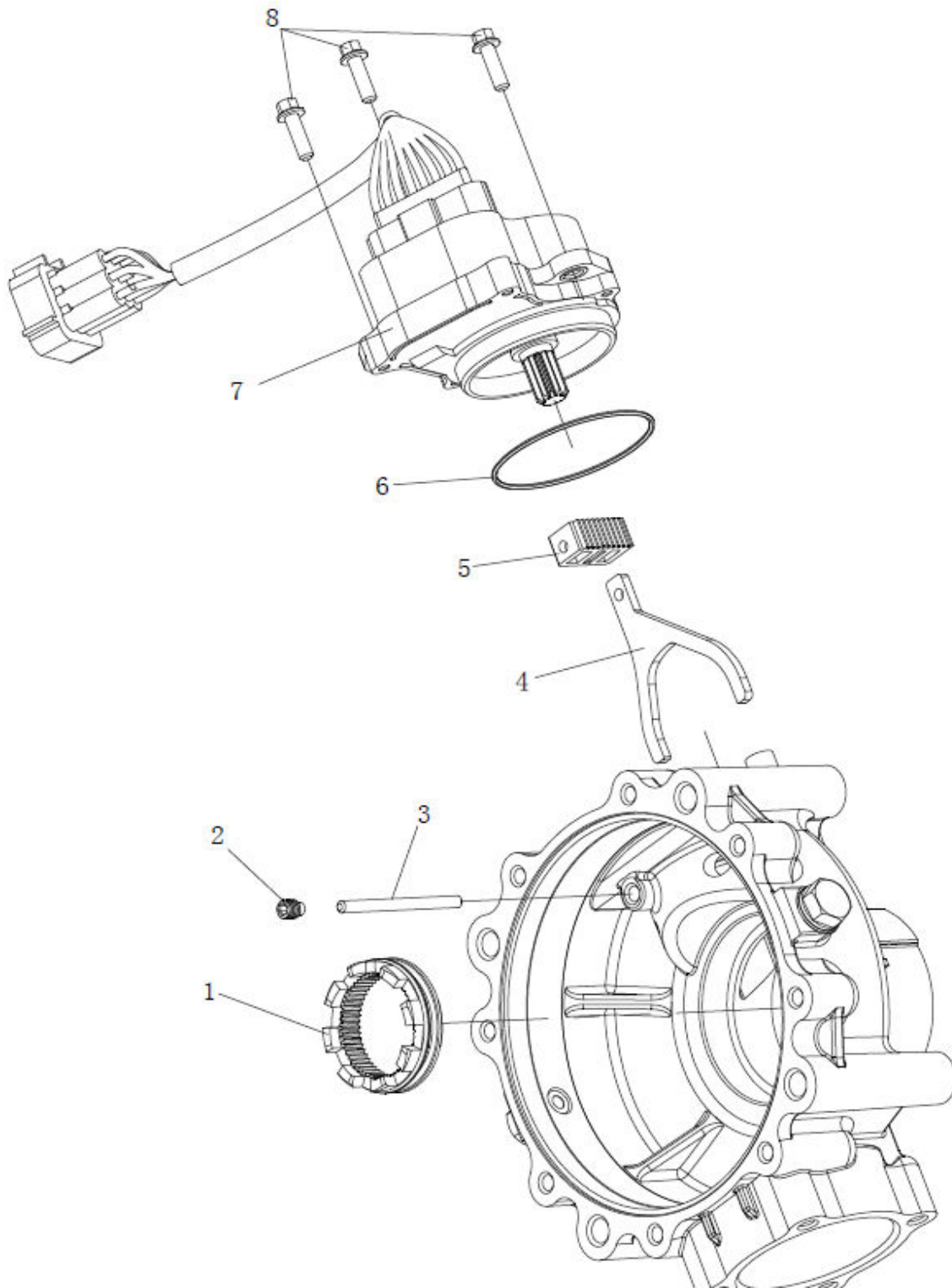
Bighorn 550 B/DX/DXH PARTS LIST

55.OUTPUT SHAFT COMPONENT

NO.	PART NAME	PART NO.	QUANTITY
1	Bearing 32911	933032911	2
2	Adjusting washer 55×67	1MQ2386700	2
3	Rear-diff.Case	1MQ2385100	1
4	Adjusting washer 45×54	1MQ2386500	2
5	Rear-diff.Output Spline	1MQ2386300	1
6	Spherical Copper 15×30×0.5	1MQ4615500	4
7	Planetary cone gear 10T	1MQ4615200	4
8	Planetary cone Shaft(short)	1MQ4615400	2
9	Pin 5×28	1MQ4615600	2
10	Planetary cone Shaft(long)	1MQ4615300	1
11	R-left cone Gear output Spline	1MQ2386200	1
12	Adjusting washer 45×54	1MQ2386500	1
13	Rear-axle driven cone gear33T	1MQ2386100	1
14	Flange Bolt M10×1.25×20	9186310020281300	8

Bighorn 550 B/DX/DXH PARTS DIAGRAM

56. SWITCHING MECHANISM COMPONENT





Bighorn 550 B/DX/DXH PARTS LIST

56. SWITCHING MECHANISM COMPONENT

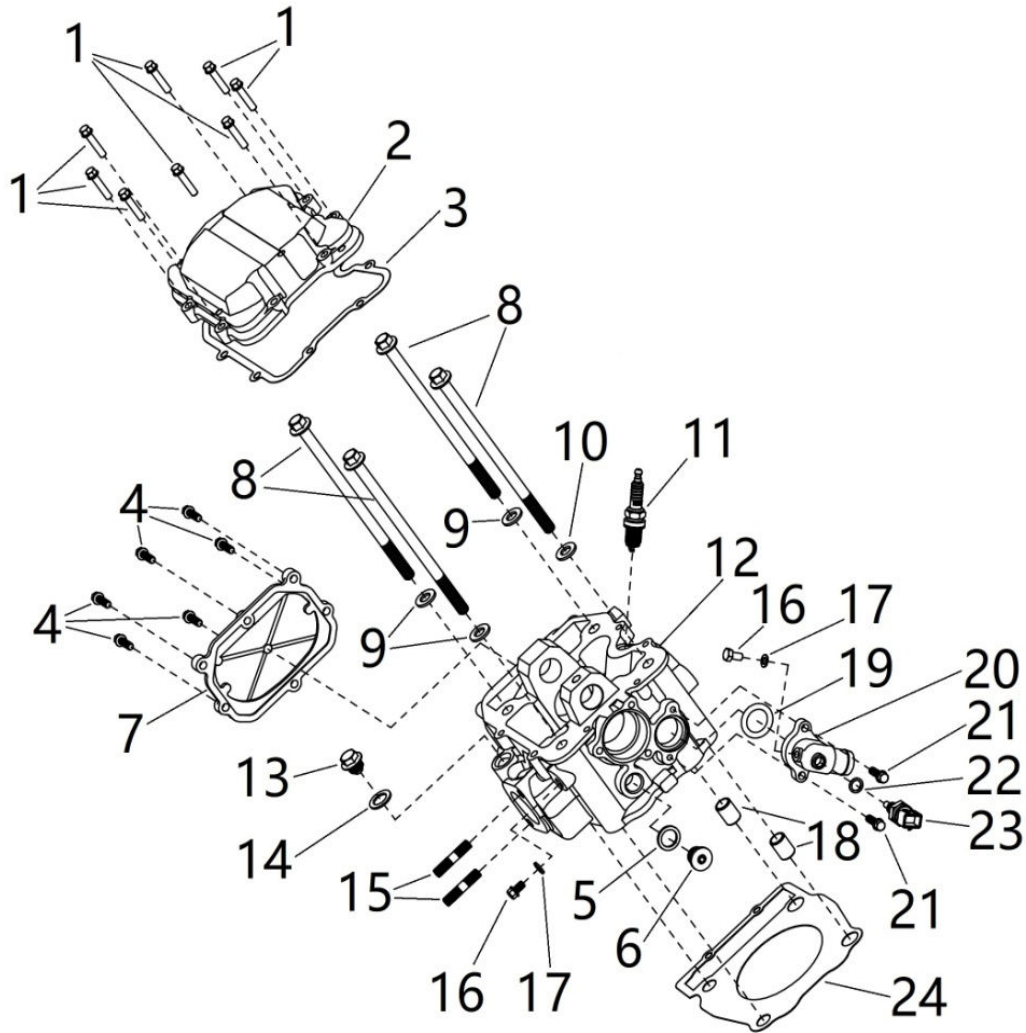
NO.	PART NAME	PART NO.	QUANTITY
1	Rear-axle Spline Sleeve	1MQ2386600	1
2	Screw M8×10	1MQ4618600	1
3	pin 5×68	1MQ4618500	1
4	Shifting Fork	1MQ2388200	1
5	Rack Spline	1MQ4618300	1
6	O-ring 68×2	1MQ4618200	1
7	Switch motor Assy.	1MQ238811001	1
8	Bolt M6×20	9184306020362301	3

Bighorn 550 B/DX/DXH ENGINR CONTENTS

- 1 CYLINDER HEAD COMPONENTS
- 2 CYLINDER COMPONENTS
- 3 CRANKSHAFT COMPONENTS
- 4 VAVLE TRAIN MECHANISM
- 5 WATER PUMP COMPONENTS
- 6 LUBRICATING SYSTEM
- 7 FUEL INJECTION COMPONENTS
- 8 CRANKCASE COMPONENTS
- 9 CVT COVER COMPONENTS
- 10 RIGHT CRANKCASE COVER COMPONENTS
- 11 STARTING MOTOR COMPONENTS
- 12 CVT COMPONENTS
- 13 TRANSMISSION GEAR COMPONENTS
- 14 SHIFT DRUM COMPONENTS
- 15 MAGNETO COMPONENTS
- 16 AIR FILTER COMPONENT
- 17 OIL SUPPLY SYSTEM COMPONENT
- 18 MUFFLER COMPONENT
- 19 CARBON CANISTER COMPONENT
- 20 CYLINDER HEAD ASSEMBLY(FOREIGN TRADE ACCESSORIES)
- 21 OIL DIPSTICK ASSEMBLY

Bighorn 550 B/DX/DXH ENGINE PARTS DIAGR

1.CYLINDER HEAD COMPONENTS



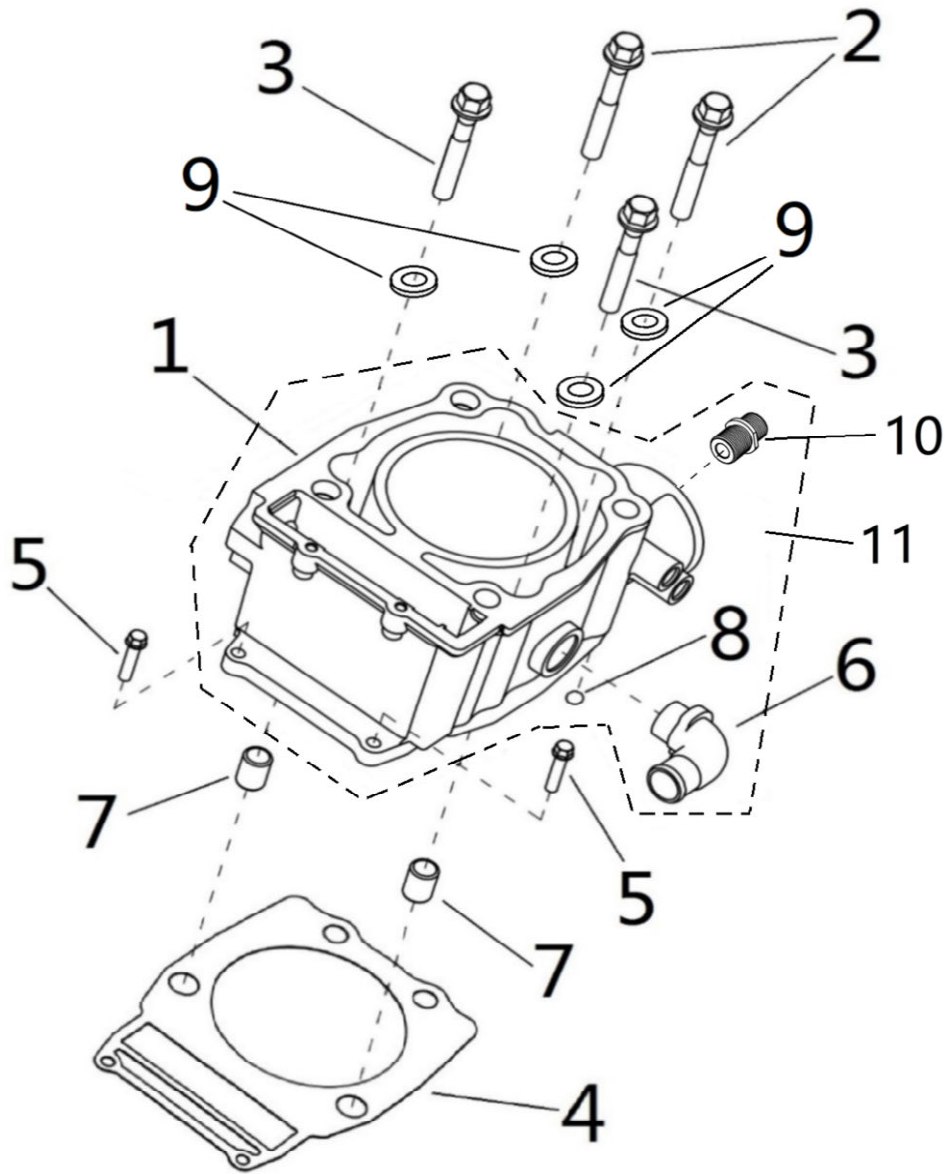
Bighorn 550 B/DX/DXH ENGINE PARTS LIST

1.CYLINDER HEAD COMPONENTS

NO.	PART NAME	PART NO.	QUANTITY
1	BOLT M6×28	9184306028362300	10
2	CYLINDER HEAD COVER	1MR1119100	1
3	GASKET, CYLINDER HEAD COVER	1MR1119310	1
4	BOLT M6×20	9184306020362301	6
5	SCREWED PLUG M16×1.5	1MR1248800	1
6	ALUMINUM WASHER 16	1MR1248700	1
7	CYLINDER HEAD SIDE COVER	1MR1116800	1
8	BOLT M10×190×1.5	1MR1118300	4
9	WASHER 10	9401310000031300	3
10	COPPER WASHER 10	1MR1513100	1
11	PIUG SPARK K6RTC	1MR1115010	1
12	CYLINDER HEAD ASSY.	1MR1110100	1
13	SCREWED PLUG M14×1.5	1MR1249000	1
14	ALUMINUM WASHER 14	1MQ4611500	1
15	BOLT STUD M8×42	9120308042362300	2
16	BOLT M6×12	9186306012162300	2
17	WASHER 6.5	1ME1132100	2
18	PIN DOWEL 15×20	1MR1118200	2
19	O-RING 21.5×5	1MR1246500	1
20	THERMOSTAT HOUSING	1MR1246200	1
21	BOLT M6×20	9184306020362300	2
22	ALUMINUM WASHER 10	1MR1512600	1
23	COOLANT SENSOR	1MR1246300	1
24	GASKET, CYLINDER HEAD	1MR1118100	1

Bighorn 550 B/DX/DXH ENGINE PARTS DIAGR

2.CYLINDER COMPONENTS



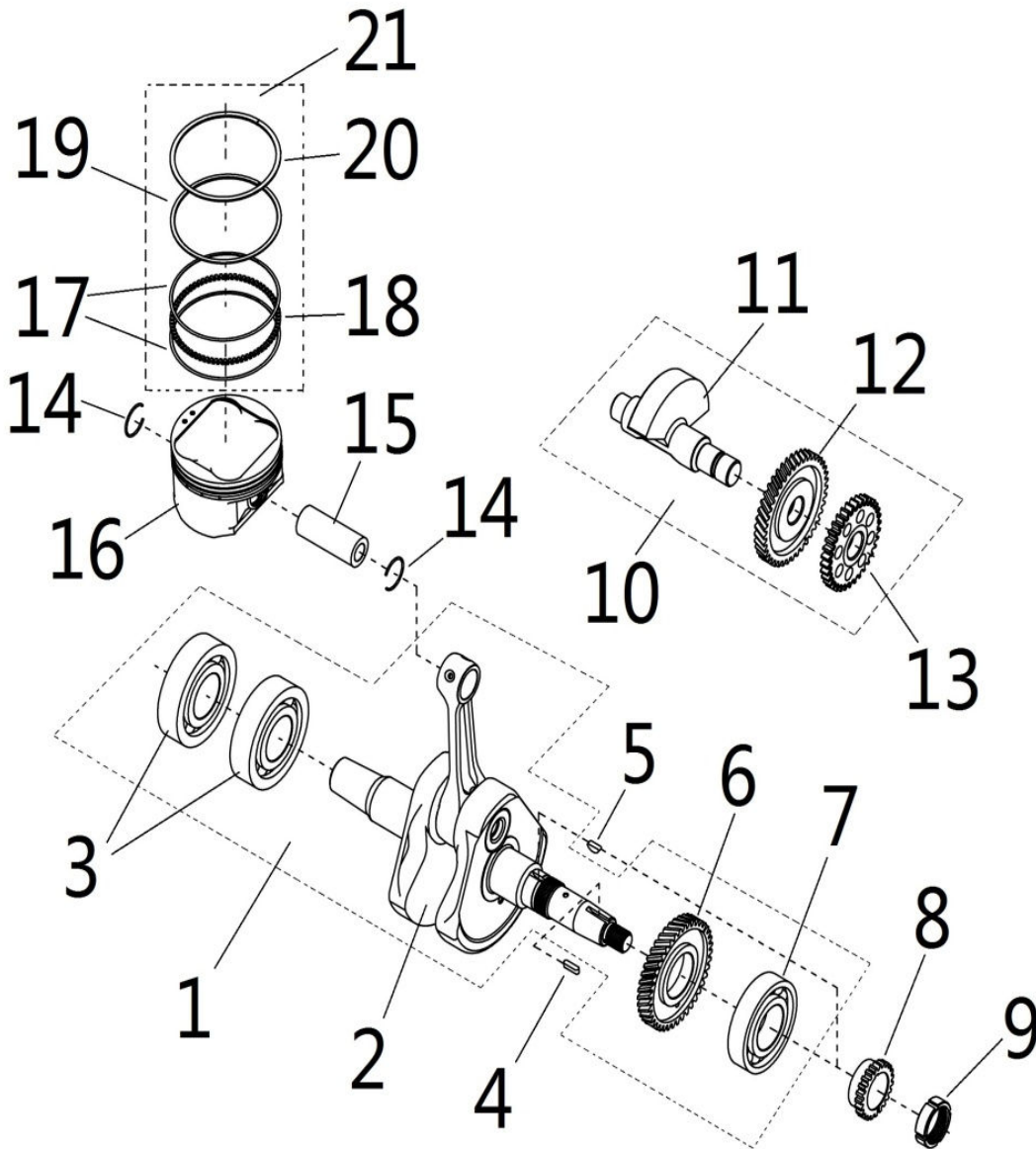
Bighorn 550 B/DX/DXH ENGINE PARTS LIST

2.CYLINDER COMPONENTS

NO.	PART NAME	PART NO.	QUANTITY
1	CYLINDER BODY	1MR1131100	1
2	BOLT M10×78	1MR1131700	2
3	BOLT M10×70	1MR1131600	2
4	GASKET, CYLINDER	1MR1135130	1
5	BOLT M6×28	9184306028362300	2
6	WATER INLET,CYLINDER	1MR1131500	1
7	DOWEL PIN 15×20	1MR1118200	2
8	STEEL BALL SR5	1MR1131800	1
9	COPPER WASHER, CYLINDER	1MR1132000	4
10	BOLT,OIL FILTER	1MR1341000	1
11	CYLINDER	1MR1131200	1

Bighorn 550 B/DX/DXH ENGINE PARTS DIAGR

3.CRANKSHAFT COMPONENTS



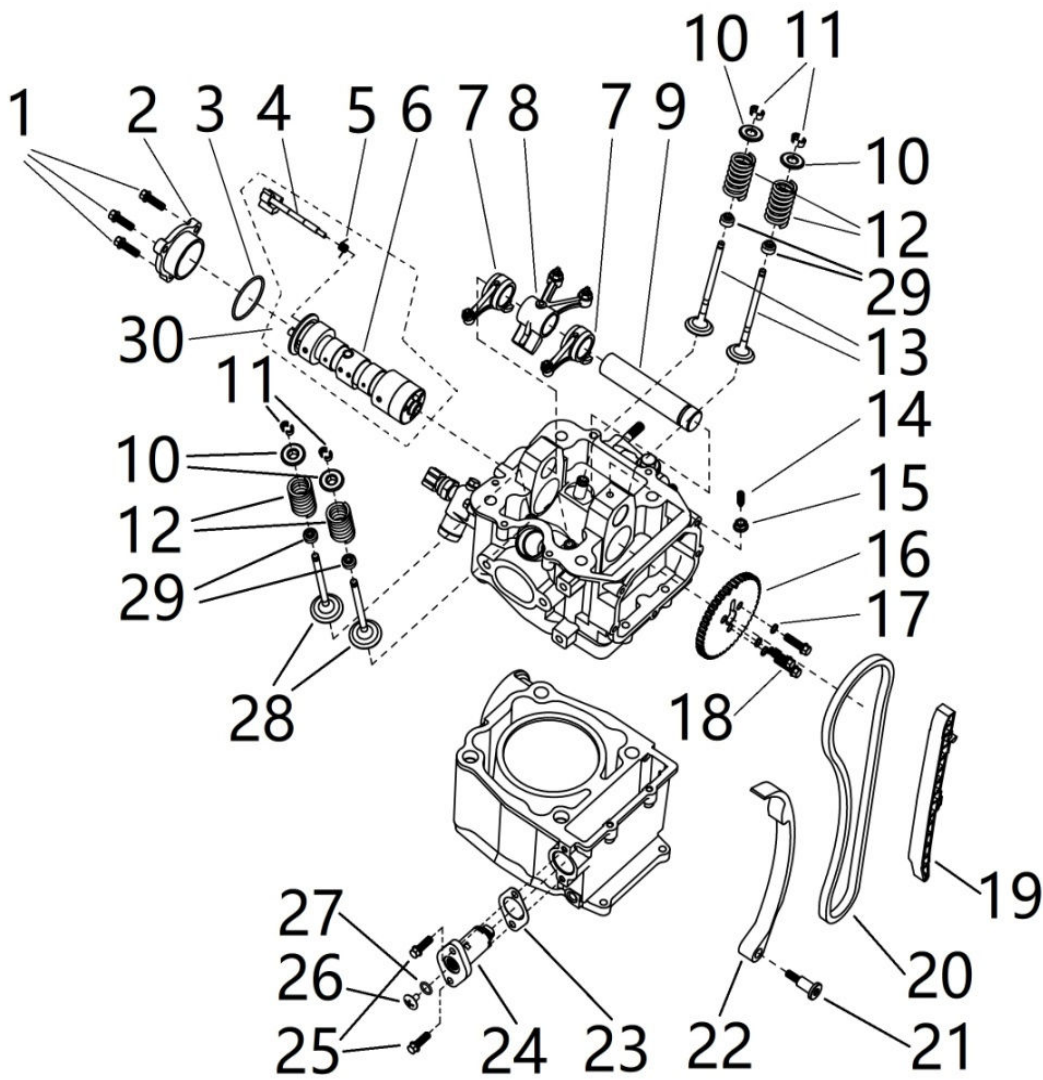
Bighorn 550 B/DX/DXH ENGINE PARTS LIST

3.CRANKSHAFT COMPONENTS

NO.	PART NAME	PART NO.	QUANTITY
1	CRANKSHAFT ASSY.	1MR1141000	1
2	CRANKSHAFT	1MR1141100	1
3	BEARING 6307 P5	93306307P501	2
4	FLAT KEY 4×15	9551040015000000	1
5	WOODRUFF KEY	1MR1143100	1
6	CRANK BALANCER DRIVE GEAR	1MR1145100	1
7	BEARING 6207 C3 NTN	93306207C302	1
8	CRANKSHAFT SPROCKET	1MR1154900	1
9	ROUND NUT M28×1.5	1MR1155000	1
10	BALABCE SHAFT ASSY.	1MR1145000	1
11	BALABCE SHAFT	1MR1145300	1
12	BALANCER SHAFT DRIVE GEAR	1MR1145200	1
13	BALANCER SHAFT OIL PUMP DRIVE GEAR	1MR1146100	1
14	CLIP	1MR1163400	2
15	PISTON PIN	1MR1163300	1
16	PISTON	1MR1163100	1
17	SCRAPPER RING	1MR1161500	2
18	OIL CONTROL RING	1MR1161400	1
19	PISTON 2ND RING	1MR1161200	1
20	PISTON TOP RING	1MR1161100	1
21	PISTON RING ASSY.	1MR1161000	1

Bighorn 550 B/DX/DXH ENGINE PARTS DIAGRAM

4. VAVLE TRAIN MECHANISM



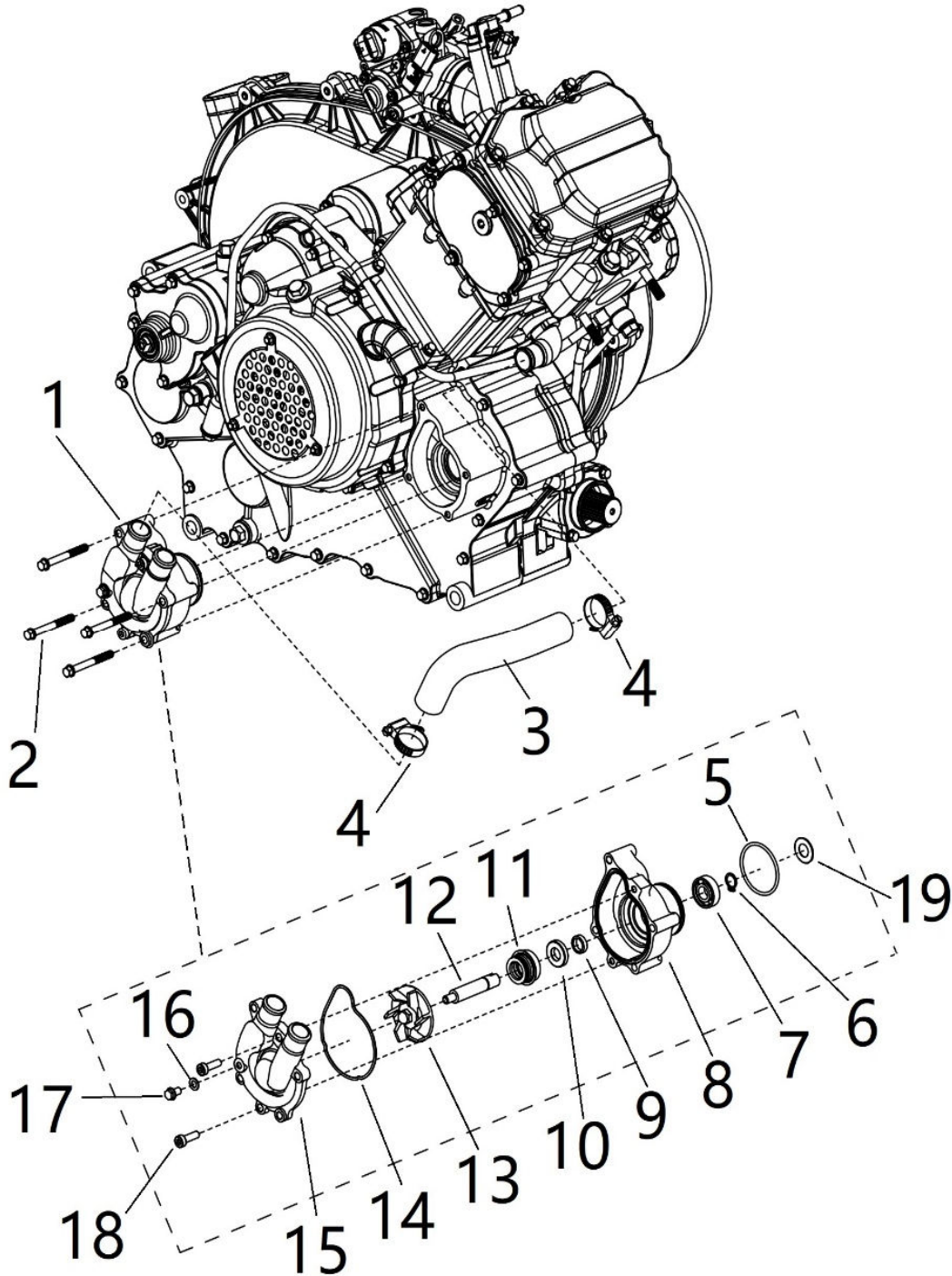
Bighorn 550 B/DX/DXH ENGINE PARTS LIST

4. VAVLE TRAIN MECHANISM

NO.	PART NAME	PART NO.	QUANTITY
1	BOLT M6×20	9184306020362300	3
2	CAMSHAFT COVER	1MR1217500	1
3	O-RING 43×2	1MR1217700	1
4	VACUUM CENTRIFUGE AXIS	1MR1228000	1
5	DECOMPRESSION RETURN SPRING	1MR1228700	1
6	CAMSHAFT	1MR1217810	1
7	INTAKE SIDE ROCKER ARM VALVE	1MR1215000	2
8	EXHAUST SIDE ROCKER ARM VALVE	1MR1215100	1
9	ROCKER SHAFT	1MR1215610	1
10	RETAINER SPRING VALVE	1MR121160001	4
11	COTTER VALVE	1MR121180001	8
12	SPRING VALVE	1MR1211300	4
13	EXHAUST VALVE	1MR1212100	2
14	SLOTTED SET SCREWS WITH CONE POINT M6×17	1MR1246600	1
15	NUT M6	1MR1246700	1
16	CAMSHAFT SPROCKET	1MR1217600	1
17	WAVE WASHER 6	2MU8095110	3
18	BOLT M6×20	9151306020162300	3
19	CAM CHAIN GUIDE	1MR1223100	1
20	CAM CHAIN	1MR1219000	1
21	CAM CHAIN TENSIONER BOLT	1MR1225100	1
22	CAM CHAIN TENSIONER	1MR1224100	1
23	GASKET, TENSIONER CASE	1MR1221310	1
24	CAM CHAIN TENSION ADJUSTER	1MR1221000	1
25	BOLT M6×20	9184306020362301	2
26	SCREW PAN	1ME1223300	1
27	O-RING 10×1.8	1ME1223000	1
28	INTAKE VALVE	1MR1211100	2
29	VALVE SEAL ASSY.	1MR1211900	4
30	CAMSHAFT ASSY.	1MR1217800	1

Bighorn 550 B/DX/DXH ENGINE PARTS DIAGR

5.WATER PUMP COMPONENTS



Bighorn 550 B/DX/DXH ENGINE PARTS LIST

5.WATER PUMP COMPONENTS

NO.	PART NAME	PART NO.	QUANTITY
1	WATER PUMP	1MR1245000	1
2	BOLT M6×55	9184306055102300	4
3	HOSE,WATER PUMP	1MR1248500	1
4	HOSE CLAMP 20/32	1MR1249500	2
5	O-RING 33.5X2.65	9960026335000000	1
6	CIRCLIP FOR SHAFT 12	9431112000000000	1
7	BEARING 6001	93306001C301	1
8	WATER PUMP BODY	1MR1245100	1
9	AXLE SLEEVE	1MR1245200	1
10	OIL SEAL 12×24×5	1MR1245300	1
11	AXLE SLEEVE	1MR1245400	1
12	IMPELLER SHAFT	1MR1245500	1
13	WATER PUMP IMPELLER	1MR1245600	1
14	O-RING	1MR1245700	1
15	WATER PUMP COVERV	1MR1245800	1
16	COPPER WASHER 6.2	1MR1245900	1
17	BOLT M6×12	9184306012102300	1
18	BOLT M6×20	9218306020361300	2
19	O-RING 30X2.65	1MR1247100	1

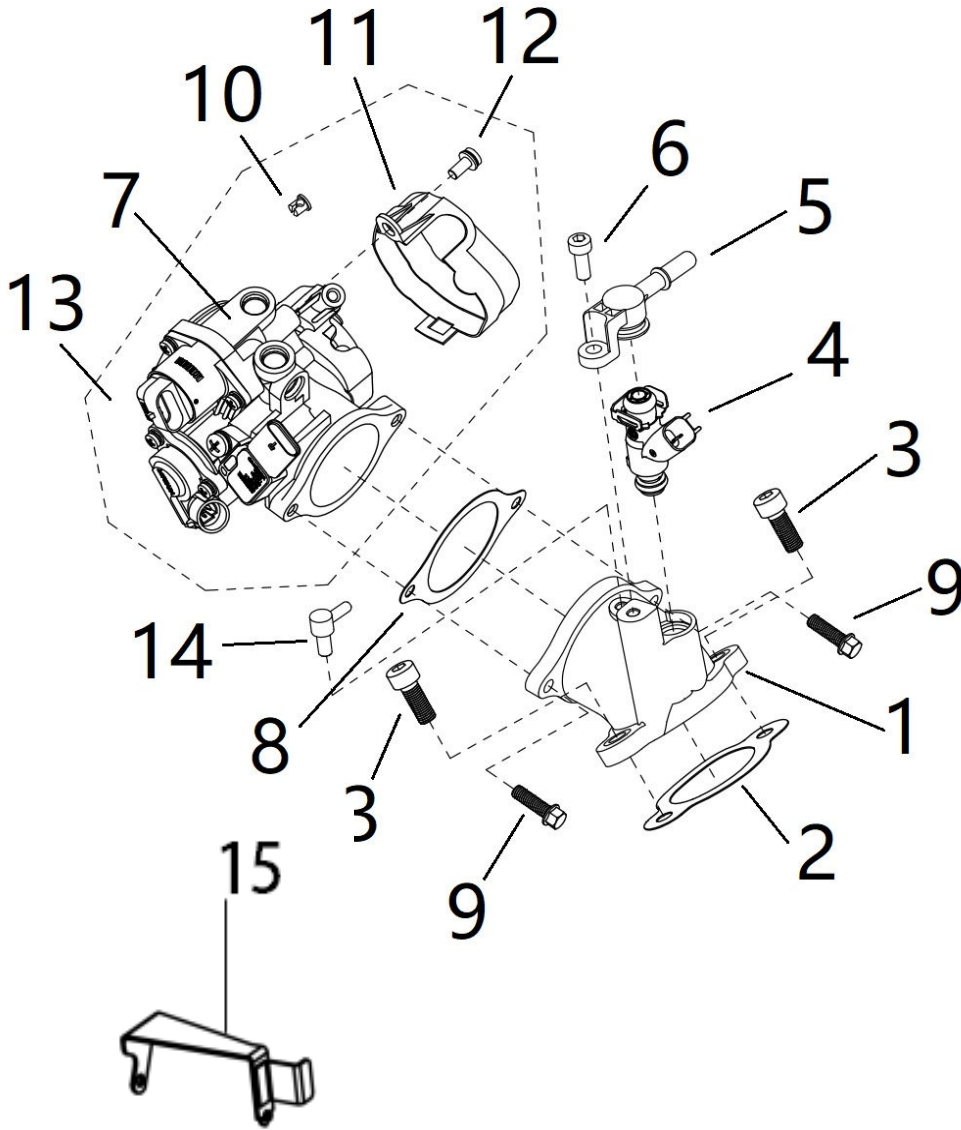
Bighorn 550 B/DX/DXH ENGINE PARTS LIST

6.LUBRICATING SYSTEM

NO.	PART NAME	PART NO.	QUANTITY
1	OIL PUMP ASSY.	1MR1331000	1
2	OIL PUMP	1MR1331300	1
3	PIN 3×8.8	1MR1331500	2
4	AXIS, OIL PUMP	1MR1331610	1
5	NEEDLE ROLLER 4×16	9970004016008200	1
6	OUTER ROTOR	1MR1331100	1
7	INNER ROTOR	1MR1331200	1
8	OIL PUMP COVER	1MR1331400	1
9	OIL PUMP PLATE	1MR1332000	1
10	BOLT M6×20	9184306020361301	1
11	OIL PUMP GASKET	1MR1331810	1
12	BOLT M6×16	9151306016161300	2
13	INLET PIPE,OIL PUMP	1MR1331910	1
14	COPPER WASHER 6.5	1ME1132100	1
15	HOLLOW BOLT M12×43	1MR1341300	1
16	COPPER WASHER 12	1MR1341400	7
17	DRAIN PLUG	1ME1342500	2
18	OIL INLET PIPE	1MR1341800	1
19	HOLLOW BOLT M10×28	1MR1341500	2
20	COPPER WASHER 10	1MR1341600	4
21	OIL OUTLET PIPE B	1MR1341700	1
22	OIL OUTLET PIPE A	1MR1341200	1
23			
24	OIL FILTER	1MR1341100	1
25	HEXAGON SOCKET HEAD CAP SCREW M6×50	9218306050361300	1
26	HEXAGON SOCKET HEAD CAP SCREW M6×45	9218306045361300	2
27	NEEDLE ROLLER 4×25	9970004025008200	1
28	OIL PUMP DRIVEN GEAR	1MR1332410	1
29	CIRCLIP FOR SHAFT 12	9431112000000000	1
30	WASHER 12	1MR1332600	1

Bighorn 550 B/DX/DXH ENGINE PARTS DIAGR

7. FUEL INJECTION COMPONENTS



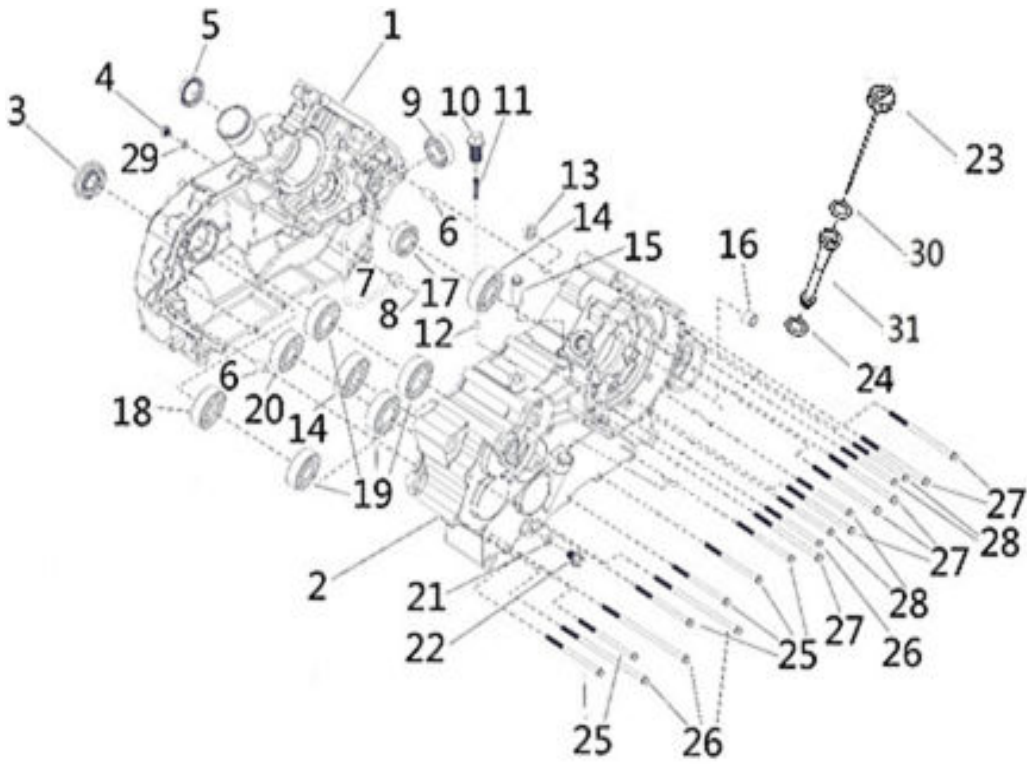
Bighorn 550 B/DX/DXH ENGINE PARTS LIST

7. FUEL INJECTION COMPONENTS

NO.	PART NAME	PART NO.	QUANTITY
1	CONNECTING BEND	1MR1358500	1
2	CONNECTING BEND (Canister)	1MR1358600	1
3	INTAKE PIPE PADS	1MR1355610	1
4	BOLT M8×20	9218308020361300	2
5	INJECTOR	1MR1376200	1
6	INJECTOR CAP	1MR1376300	1
7	HEXAGON SOCKET HEAD CAP SCREW M6×15	9218460150160000	1
8	THROTTLE BODY	1MR1372600	1
9	GASKET, THROTTLE BODY ASSY.	1MR1372110	1
10	BOLT M6×20	9184306020362301	2
11	THROTTLE CLAMP BLOCK	1MR1372300	1
12	COVER, THROTTLE BODY ASSY.	1MR1372400	1
13	COVER BOLT	1MR1372500	1
14	THROTTLE BODY ASSY.	1MR1372000	1
15	TIP-IN	1ME1119700	1
16	Throttle body plug-in protection bracket	3MU5854000	1

Bighorn 550 B/DX/DXH ENGINE PARTS DIAGR

8. CRANKCASE COMPONENTS



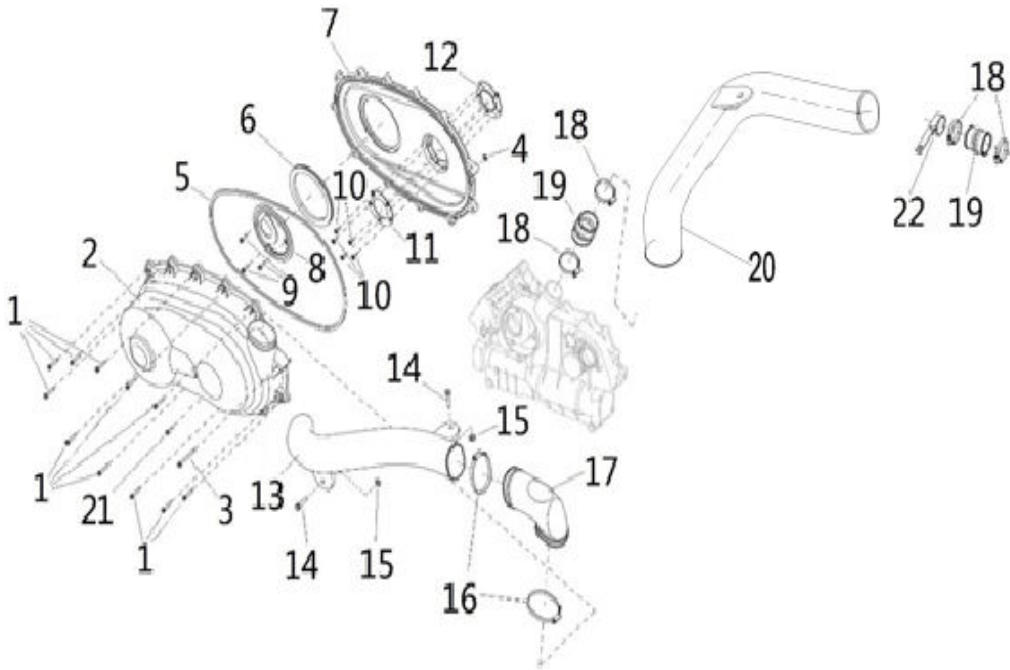
Bighorn 550 B/DX/DXH ENGINE PARTS LIST

8. CRANKCASE COMPONENTS

NO.	PART NAME	PART NO.	QUANTITY
1	LEFT CRANKCASE	1MR1511000	1
2	RIGHT CRANKCASE	1MR1512000	1
3	OIL SEAL 25×47×13	1MR1511400	1
4	Oil Port Screw M14×1.5	1MQ4611400	1
5	OIL SEAL 35×48×8	1MR1511300	1
6	LOCATING PIN 12×18	1MR1511200	2
7	CRANKSHAFT LUBRICATION PIPE	1MR1512700	1
8	O-RING 10×2	1MR1342000	1
9	BEARING 6205 C3	93306205C301	1
10	SHIFT DRUM BOLT	1MR1513000	1
11	SHIFT DRUM SPRING	1MR1512900	1
12	SHIFT DRUM STEEL BALL SR4.5	1MR1512800	1
13	BEARING 6001	93306001C301	1
14	BEARING 6304 C3 NTN	93306304C302	2
15	VENTILATION MOUTH COMPONENTS	1MR1512300	1
16	STARTING CLUTCH BUSHING A	1MR1545200	1
17	BEARING 6204 C3 NTN	93306204C302	1
18	BEARING 6205 C3 NTN	93306205C302	1
19	BEARING 6304 P3	93306304P501	4
20	BEARING 6304 P5	93306204P501	1
21	COPPER WASHER 10	1MR1341600	1
22	BOLT M10×20×1.25	1MR1512100	1
23	DIPSTICK	1MR1537100	1
24	O-RING 19×3	9960030190000001	1
25	BOLT M6×95	9184306095102300	6
26	BOLT M6×105	9184306105362300	4
27	BOLT M8×90	9184308090362300	6
28	BOLT M6×85	9184306085362300	4
29	ALUMINUM WASHER 14	1MQ4611500	1
30	RUBBER GASKET	1MR1537400	1
31	DIPSTICK PIPE	1MR1537300	1

Bighorn 550 B/DX/DXH ENGINE PARTS DIAGR

9.CVT COVER COMPONENTS



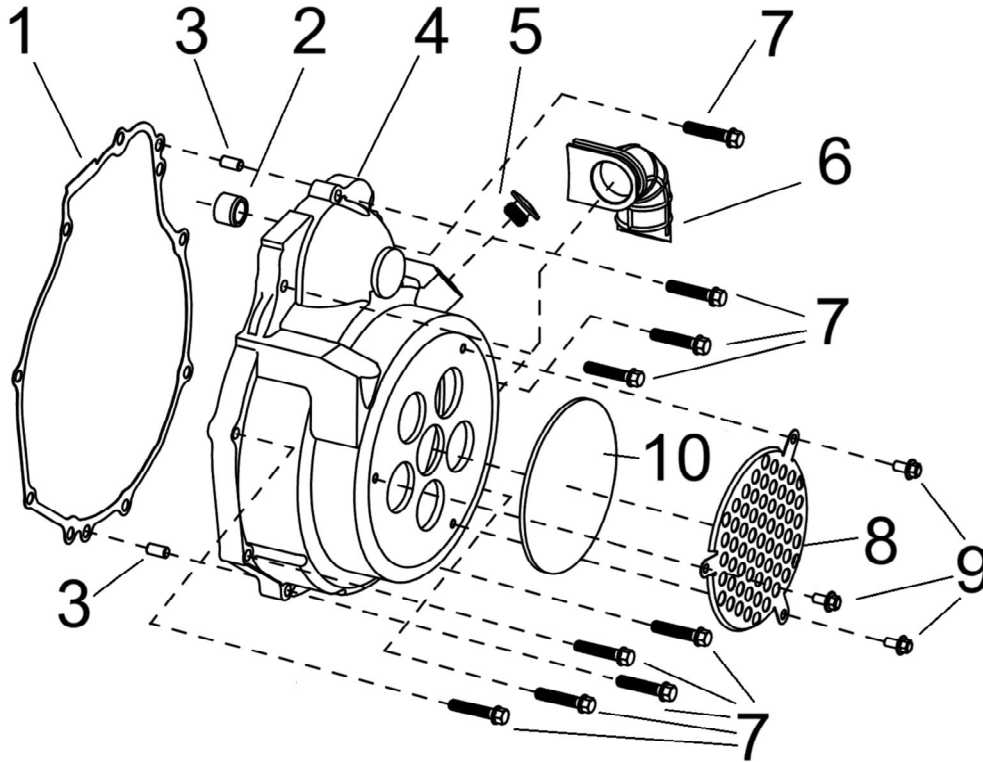
Bighorn 550 B/DX/DXH ENGINE PARTS LIST

9.CVT COVER COMPONENTS

NO.	PART NAME	PART NO.	QUANTITY
1	BOLT M6×32	9184306032362300	11
2	CVT UPPER COVER COMPONENTS	1MR1541100	1
3	BOLT M6×65	9184306065102300	1
4	NUT M6	9320306010202300	1
5	WASHER, CVT UPPER COVER	1MR1541300	1
6	WASHER, CVT LOWER COVER	1MR1541400	1
7	CVT LOWER COVER COMPONENTS	1MR1541200	1
8	PLATE, CVT LOWER COVER	1MR1541500	1
9	BOLT M6×18	9184306018102300	3
10	CROSS RECESSED COUNTERSUNK HEAD SCREW M6×12	9254206012161300	5
11	PLATE UPPER, DRIVE SHAFT	1MR1541600	1
12	PLATE LOWER, DRIVE SHAFT	1MR1541800	1
13	OUTLET PIPE OF CVT	1MR1542400	1
14	BOLT M8×25	9184308025262300	2
15	NUT M8	9330308013241300	2
16	HOSE CLAMP 70/89	1MR1542500	2
17	CONNECTING PIPE OF CVT OUTLET PIPE	1MR1542300	1
18	HOSE CLAMP 44/64	1MR1542600	4
19	CONNECTING PIPE OF CVT INTAKE PIPE	1MR1542100	2
20	INTAKE PIPE OF CVT	1MR1542200	1
21	BOLT M6×12	9184306012102300	1
22	INTAKE PIPE FIXING CLIP	1MR1542700	1

Bighorn 550 B/DX/DXH ENGINE PARTS DIAGR

10 .RIGHT CRANKCASE COVER COMPONENTS



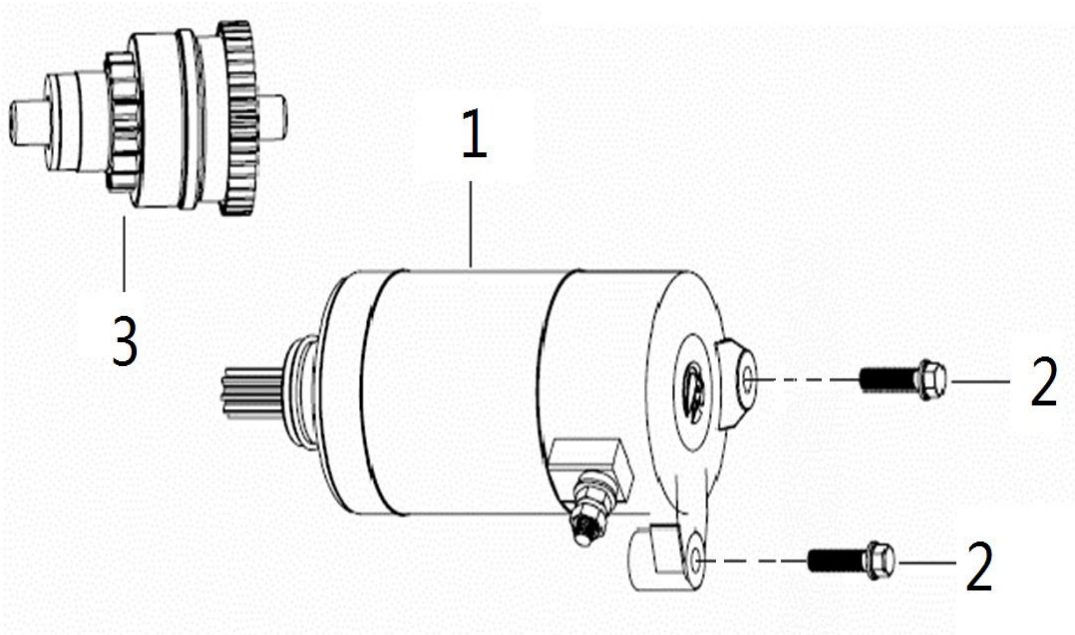
Bighorn 550 B/DX/DXH ENGINE PARTS LIST

10 .RIGHT CRANKCASE COVER COMPONENTS

NO.	PART NAME	PART NO.	QUANTITY
1	GASKET, RIGHT CRANKCASE	1MR1545310	1
2	STARTING CLUTCH BUSHING B	1MR1513200	1
3	LOCATING PIN 6×12	9522006012000000	2
4	RIGHT CRANKCASE COVER	1MR1545600	1
5	SCREWED PLUG M14×1.5	1MR1249000	1
6	OUTLET PIPE, RIGHT CRANKCASE COVER	1MR1545900	1
7	BOLT M6×30	9184306030102300	9
8	AIR INLET GRID	1MR1545700	1
9	BOLT M5×10	9184305010362300	3
10	INLET AIR FILTER	1MR1545800	1

Bighorn 550 B/DX/DXH ENGINE PARTS DIAGR

11. STARTING MOTOR COMPONENTS



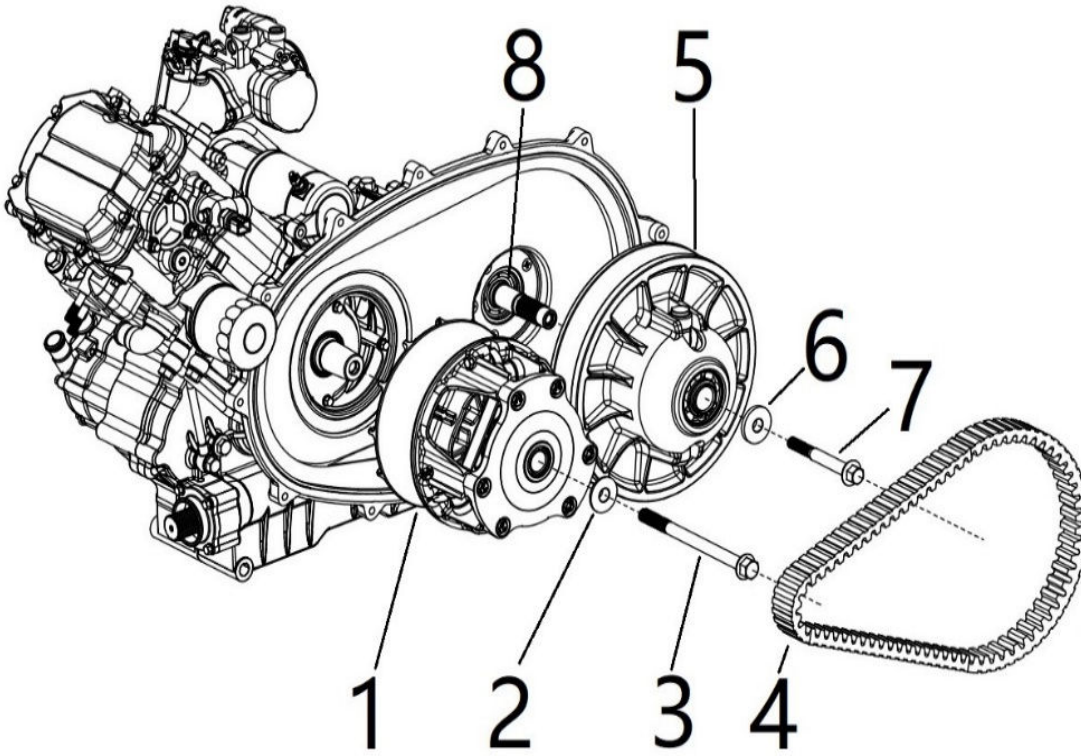
Bighorn 550 B/DX/DXH ENGINE PARTS LIST

11. STARTING MOTOR COMPONENTS

NO.	PART NAME	PART NO.	QUANTITY
1	STARTING MOTOR	1MR8189000	1
2	BOLT M6×25	9184306025102300	2
3	STARTING CLUTCH ASSY.	1MR1559000	1

Bighorn 550 B/DX/DXH ENGINE PARTS DIAGR

12.CVT COMPONENTS



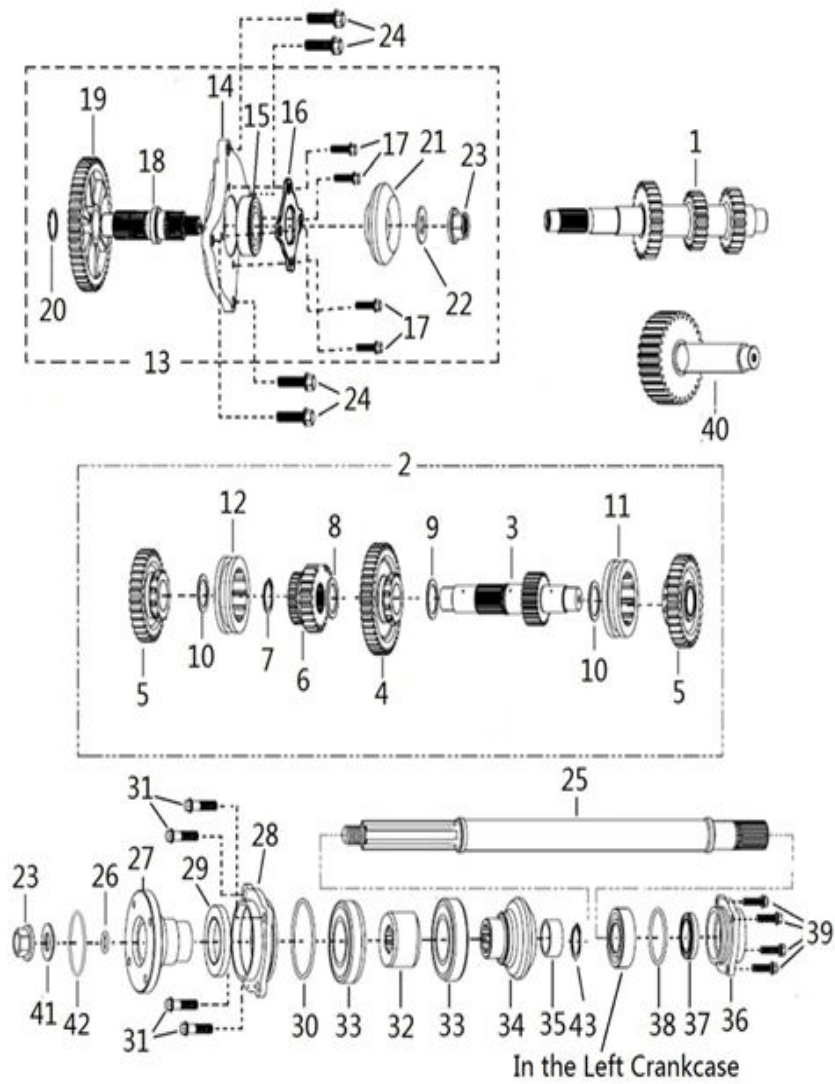
Bighorn 550 B/DX/DXH ENGINE PARTS LIST

12.CVT COMPONENTS

NO.	PART NAME	PART NO.	QUANTITY
1	ACTIVE CLUTCH ASSY.	1MR1761000	1
2	INSTALLATION SLEEVE B, ACTIVE CLUTCH	1MR1761500	1
3	BOLT M12×170×1.25	1MR1761400	1
4	V-BELT	1MR1764100	1
5	DRIVEN CLUCH ASSY.	1MR1766010	1
6	INSTALLATION SLEEVE D, DRIVEN CLUTCH	1MR1766500	1
7	DRIVEN CLUTCH BOLT	1MR1766200	1
8	ADJUSTING SHIM, DRIVEN CLUTCH	1MR1766300	1

Bighorn 550 B/DX/DXH ENGINE PARTS DIAGR

13. TRANSMISSION GEAR COMPONENTS



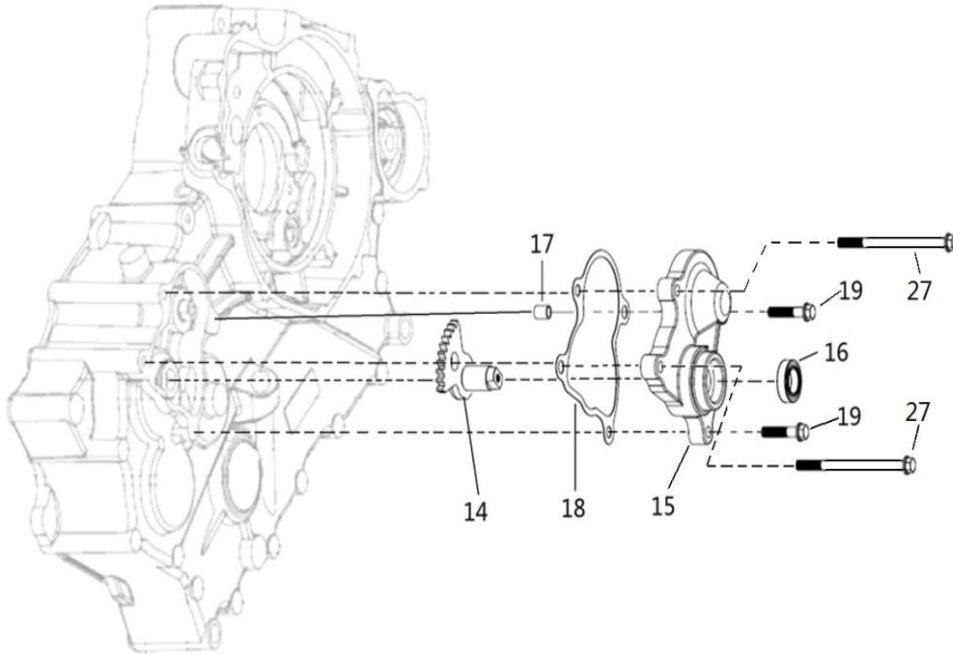
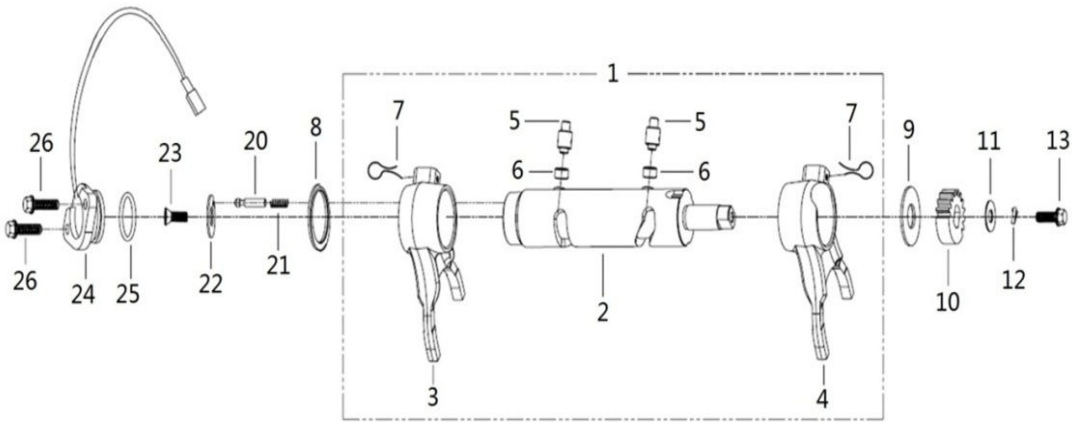
Bighorn 550 B/DX/DXH ENGINE PARTS LIST

13.TRANSMISSION GEAR COMPONENTS

NO.	PART NAME	PART NO.	QUANTITY
1	DRIVE SHAFT	1MR2352100	1
2	COUNTER SHAFT ASSY.	1MR2352200	1
3	COUNTER SHAFT	1MR2353100	1
4	LOW DRIVEN GEAR	1MR2354500	1
5	REVERSE DRIVEN GEAR	1MR2352700	2
6	IDLER GEAR	1MR2353000	1
7	CIRCLIPS FOR SHAFT 22	9431322000001200	1
8	WASHER 26×35×1.5	1MR2353200	1
9	WASHER 26×35×1	1MR2353300	1
10	WASHER 23.5×33×1	1MR2353400	2
11	HIGH-LOW GEAR SHIFT DISC	1MR2353800	1
12	NEUTRAL-REVERSE GEAR SHIFT DISC	1MR2353900	1
13	DRIVE BEVEL GEAR ASSY.	1MR2356000	1
14	BEARING SEAT,DRIVE BEVEL GEAR	1MR2356800	1
15	BEARING 6305 C3 NTN	93306305C302	1
16	BEARING PLATE	1MR2356200	1
17	BOLT M6×22	9184306022102300	4
18	DRIVE BEVEL GEAR SHAFT	1MR2356500	1
19	DRIVE GEAR OF THE BEVEL GEAR	1MR2356400	1
20	CIRCLIPS FOR SHAFT 25	9431125000000000	1
21	DRIVE BEVEL GEAR	1MR2356100	1
22	WASHER 16×31×1	1MR8142900	1
23	NUT M16×1.5	1MR8142800	2
24	BOLT M8×22	9184308022381300	4
25	OUTPUT SHAFT	1MR2357100	1
26	O-RING 15×2.65	1MR2357200	1
27	CONNECTION DISK	1MR2357400	1
28	REAR BEARING COVER, GEAR BOX	1MR2357500	1
29	OIL SEAL 40×62×8	1MR2357600	1
30	O-RING 67×2.5	1MR2357700	1
31	BOLT M8×28	9184308028362300	4
32	SPLINE SLEEVE	1MR2357900	1
33	BEARING 6207 P5	93306207P501	2
34	DRIVEN BEVEL GEAR	1MR2356600	1
35	BECEL GEAR LIMIT SLEEVE	1MR2358200	1
36	FRONT BEARING COVER, GEAR BOX	1MR2359400	1
37	OIL SEAL 25×40×7	1MR2359600	1
38	O-RING 47×2.5	1MR2358700	1
39	BOLT M6×22	9184306022102300	5
40	REVERSE IDLER GEAR	1MR2353600	1
41	STEP WASHER	1MR2352810	1
42	O-RING 27×2.65	1MR2352900	1
43	ADJUSTING WASHER25×32×0.25X	1MF2356900	1

Bighorn 550 B/DX/DXH ENGINE PARTS DIAGR

14. SHIFT DRUM COMPONENTS



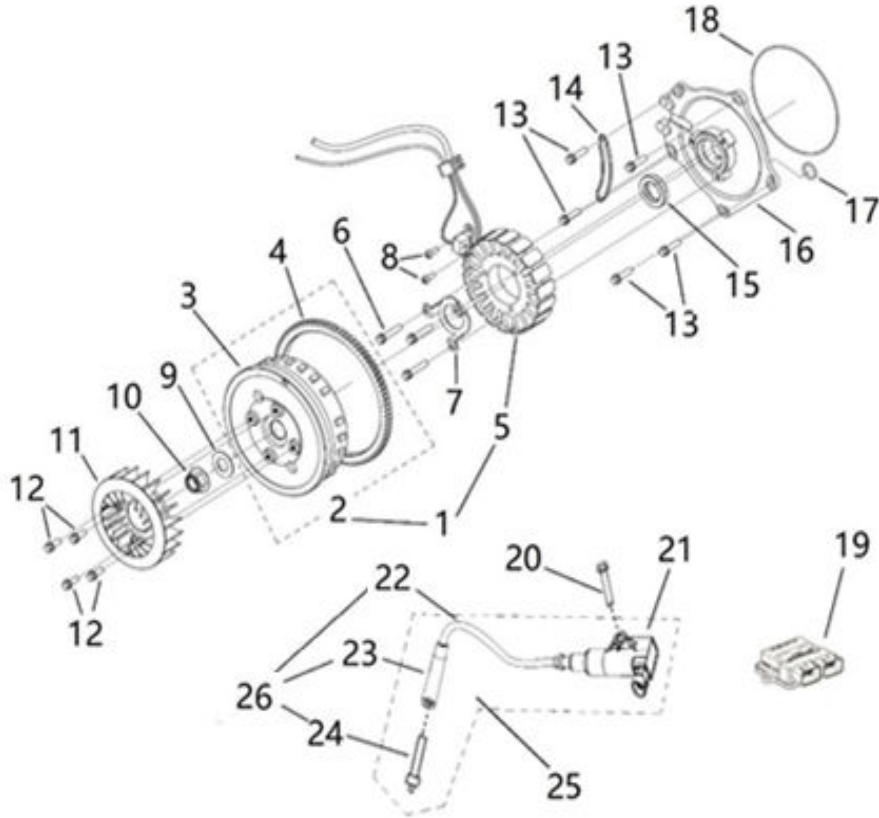
Bighorn 550 B/DX/DXH ENGINE PARTS DIAGR

14. SHIFT DRUM COMPONENTS

NO.	PART NAME	PART NO.	QUANTITY
1	SHIFT DRUM ASSY.	1MR2358410	1
2	SHIFT DRUM (H)	1MR2358310	1
3	GEAR SHIFT FORK L	1MR2358100	1
4	GEAR SHIFT FORK R	1MR2359500	1
5	GUIDE PIN	1MR2359000	2
6	ROLLER	1MR2359100	2
7	SPLIT PIN	9500025026000000	2
8	WASHER 32×40×2	1MR2359200	1
9	WASHER 15×33×2	1MR2359300	1
10	SHIFT DRIVEN GEAR	1MR2358500	1
11	WASHER 6×20×2	1MR235890000S1	1
12	SINGLE COIL SPRING LOCK WASHER 6	9403106000000000	1
13	BOLT M6×16	9186306016166300	1
14	SHIFT GEAR ASSY.	1MR2358800	1
15	SHIFT COVER	1MR2359700	1
16	OIL SEAL 15×26×7	1MR2359800	1
17	LOCATING PIN 8×10	1MR2358600	2
18	GASKET, SHIFT COVER	1MR2359900	1
19	BOLT M6×28	9184306028362300	2
20	GEAR CONTACTOR	1MR2357300	1
21	SPRING, GEAR CONTACTOR	1MR2356300	1
22	LIMIT WASHER	1MR2356700	1
23	SCREW M6×12	9254206012161300	1
24	GEAR POSITION SENSOR	1MR2350310	1
25	O-RING 27×2.5	1MR2350100	1
26	BOLT M6×18	9184306018102300	2
27	BOLT M6×135	9184306135362300	2

Bighorn 550 B/DX/DXH ENGINE PARTS DIAGR

15.MAGNETO COMPONENTS



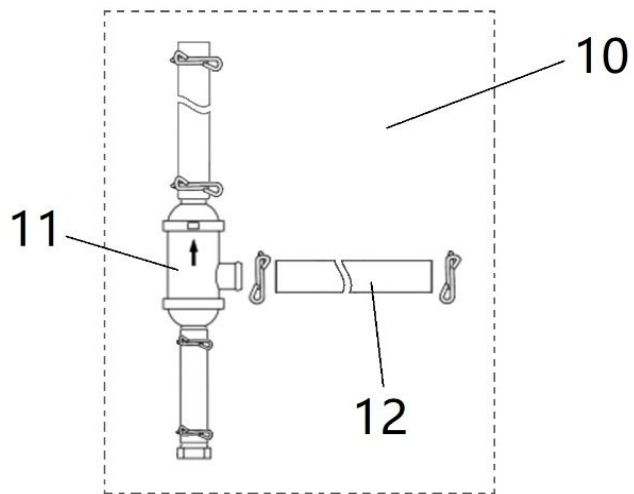
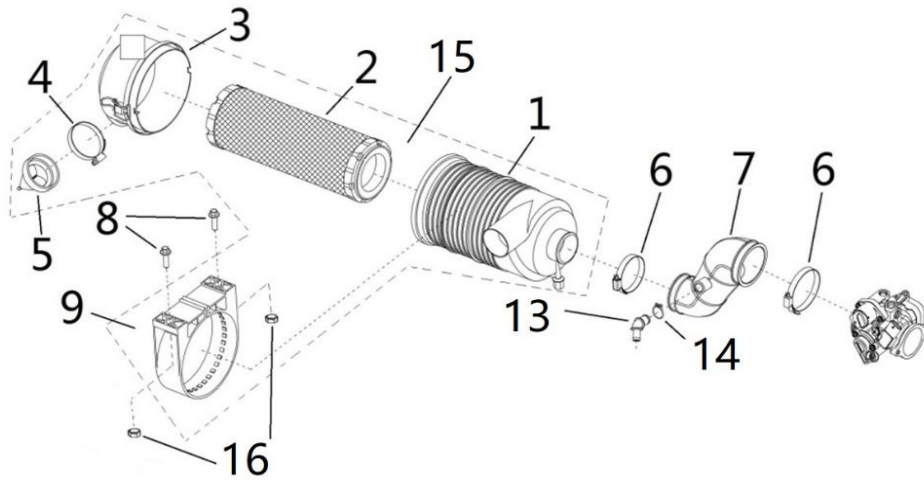
Bighorn 550 B/DX/DXH ENGINE PARTS LIST

15.MAGNETO COMPONENTS

NO.	PART NAME	PART NO.	QUANTITY
1	MAGNETO ASSY.	1MR8141200	1
2	ROTOR ASSY.	1MR8145000	1
3	ROTOR	1MR8145120	1
4	ROTOR GEAR	1MR8145200	1
5	STATOR ASSY.	1MR8143100	1
6	BOLT M6×30	9184306030102300	3
7	OIL SEAL BAFFLE	1MR8142200	1
8	BOLT M5×12	9218450120160000	2
9	WASHER 16×31×1	1MR8142900	1
10	NUT M16×1.5	1MR8142800	1
11	COOLING FAN	1MR1261100	1
12	BOLT M6×22	9184306022102300	4
13	BOLT M6×25	9184306025102300	5
14	LEAD HOLDER	1MR8142710	1
15	OIL SEAL 25×38×7	1MR8142400	1
16	STATOR SEAT	1MR8142000	1
17	O-RING 15×2.5	1MR8142600	1
18	O-RING 128×2	1MR8142100	1
19	ECU	1MR8146000	1
20	BOLT M6×40	9184306040166300	1
21	IGNITION COIL BODY	1MF8148000	1
22	WIRE IGNITION	1MR8148200	1
23	SPARK PLUG CAP	1MR8148300	1
24	SPARK PLUG CAP CORE	1MR8148400	1
25	IGNITION COIL	1MR8148100	1
26	SPARK PLUG CAP ASSEMBLY	1MRX814830	1

Bighorn 550 B/DX/DXH ENGINE PARTS DIAGR

16. AIR FILTER COMPONENT



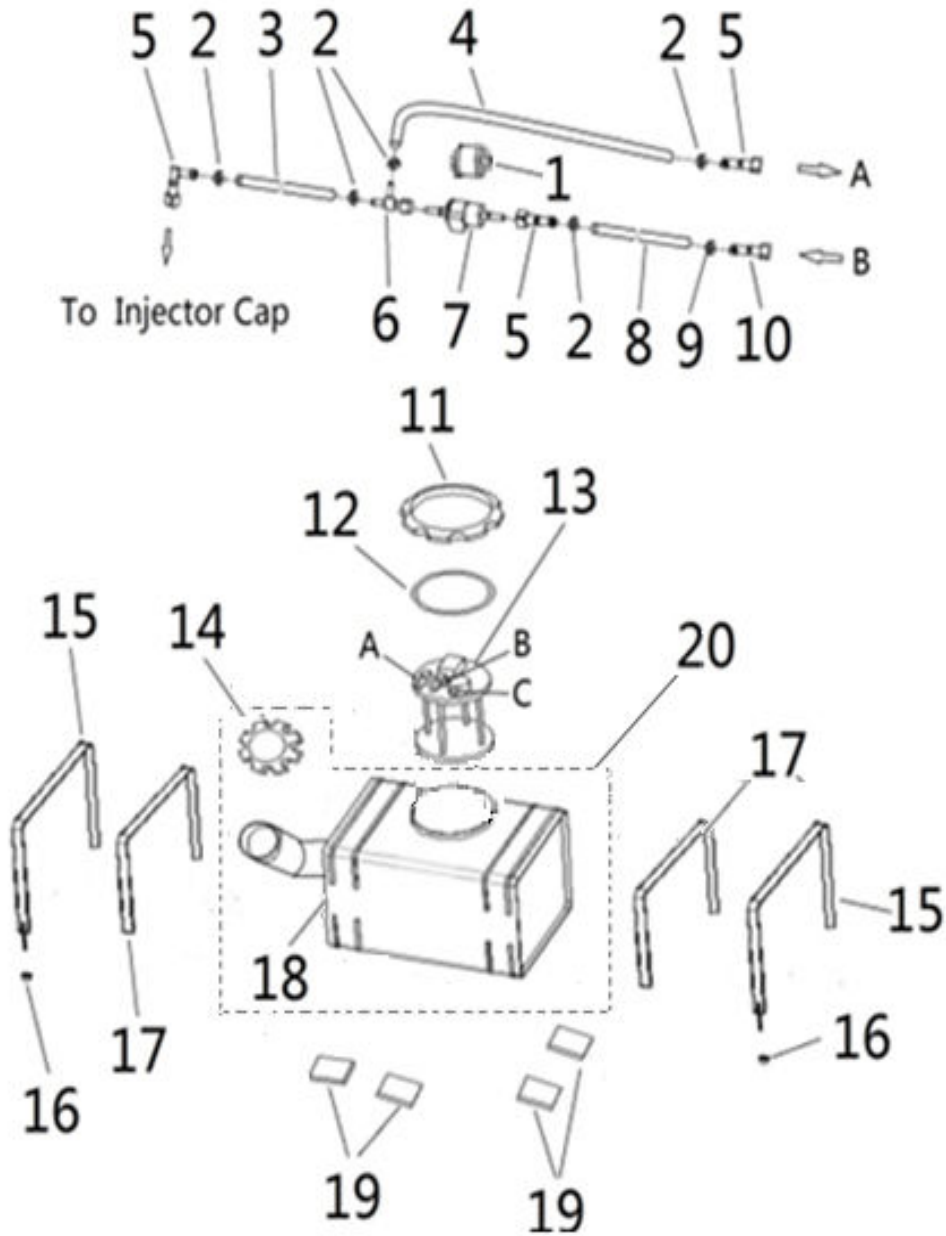
Bighorn 550 B/DX/DXH ENGINE PARTS LIST

16. AIR FILTER COMPONENT

NO.	PART NAME	PART NO.	QUANTITY
1	Air filter housing	1MR1441100	1
2	Filter element	1MR1445100	1
3	Air filter rear cover	1MR1441200	1
4	Clamp 44-64	1MR1542600	1
5	Oil drain cap	1MR1441600	1
6	Clamp 40-60	1MR1542900	1
7	Air filter connecting pipe	1MR1445300	1
8	Bolt M8×25 (GB/T 16674.1)	9184308025362300	2
9	Air filter bracket Assy	1MR1441500	1
10	Oil gas separator Assy	1MR1442100	1
11	Oil gas separator body	1MR1441800	1
12	Air inlet pipe	1MR1442300	1
13	Air intake pipe	1MR1441900	1
14	Clamp 20	1MR1442000	1
15	Air filter Assy	1MR1441000	1
16	Nut M8 (GB/T 6177.1)	9320308013205300	2

Bighorn 550 B/DX/DXH ENGINE PARTS DIAGR

17. OIL SUPPLY SYSTEM COMPONENT



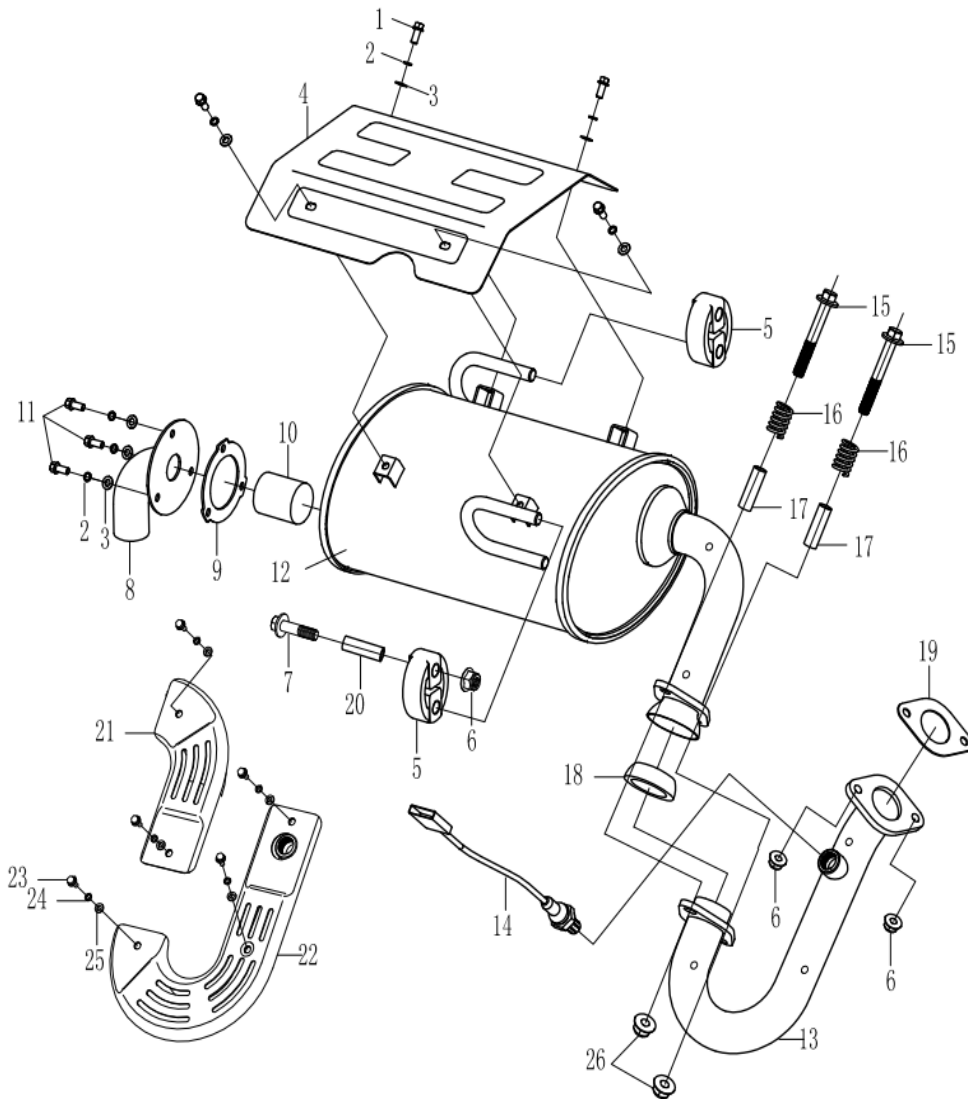
Bighorn 550 B/DX/DXH ENGINE PARTS LIST

17. OIL SUPPLY SYSTEM COMPONENT

NO.	PART NAME	PART NO.	QUANTITY
1	Fuel filter sheath	1MQ1392210	1
2	Clamp 15.3	1MQ1393100	5
3	Engine fule inlet pipe	1MR1392300	1
4	Tank fule return pipe	1MR1392200	1
5	Quick fitting Assy 7.89	1MQ1391200	3
6	Quick tee fitting Assy 7.89-6	1MQ1391220	1
7	Fuel filter	1MQ1392000	1
8	Tank fule outlet pipe	1MR1392100	1
9	Clamp 16.2	1MQ1393200	1
10	Quick Fitting Assy 9.49-6	1MQ1391110	1
11	Oil pump cover	1MQ1391400	1
12	Oil pump sealing ring	1ME2413100	1
13	Fule Pump	1MR1391000	1
14	Tank cap	1ME2413010	1
15	Tank belt	1MR2411500	2
16	Nut M8 (GB/T 6187.1)	9330308013241300	2
17	Tank belt rubber	1ME2411600	2
18	Fule tank Assy	1MR1394000	1
19	Shock pad	1MU6180100	4
20	Fule tank Assy (Contain Tank cap)	1MRZ139400	1

Bighorn 550 B/DX/DXH ENGINE PARTS DIAGR

18. MUFFLER COMPONENT



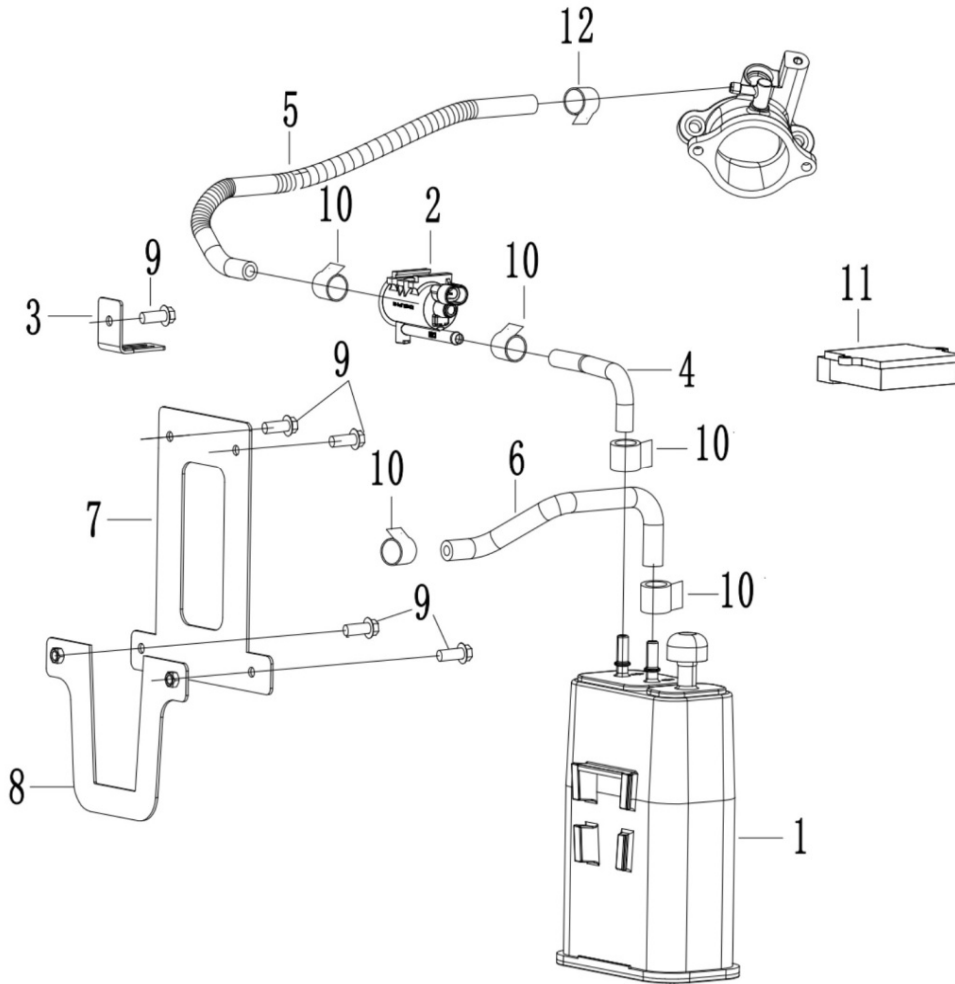
Bighorn 550 B/DX/DXH ENGINE PARTS LIST

18. MUFFLER COMPONENT

NO.	PART NAME	PART NO.	QUANTITY
1	Bolt M6×12	1MR1472600	4
2	Spring Washer 6 (GB/T 93)	1MR1472700	7
3	Washer 6 (GB/T 97.1)	1MR1472800	7
4	Muffler cylinder guard	1MR1471100	1
5	Muffler rubber	1MR1473000	2
6	Nut M8 (GB/T 6187.1)	9330308013241300	3
7	Bolt M8×45 (GB/T 5789)	9186308045261300	1
8	Tailpipe	1MR1471500	1
9	Tailpipe washer	1MR1471600	1
10	Fire protection network	1MR1471700	1
11	Bolt M6×16	1MR1472900	3
12	Muffler	1MR1471800	1
13	Exhaust pipe	1MR1471400	1
14	Oxygen sensor	1MQ1475100	1
15	Bolt M10×1.25×100 (GB/T 5789)	3MU5520300	2
16	Muffler spring	1MF1462100	2
17	Muffler spacer	1MR1474200	2
18	Joint	1MR1472500	1
19	Gasket, exhaust pipe	1MR1472400	1
20	Muffler front bushing	3MU6019900	1
21	Exhaust pipe insulation board,R	1MR1472200	1
22	Exhaust pipe insulation board,F	1MR1472100	1
23	Bolt M6×12 (GB/T 5786)	9153006012108200	5
24	Spring Washer 6 (GB/T 93)	9403106000000000	5
25	Washer 6 (GB/T 97.1)	94013060000031300	5
26	Nut M10×1.25 (GB/T 6187.2)	9330310015261300	2

Bighorn 550 B/DX/DXH ENGINE PARTS DIAGR

19. CARBON CANISTER COMPONENT



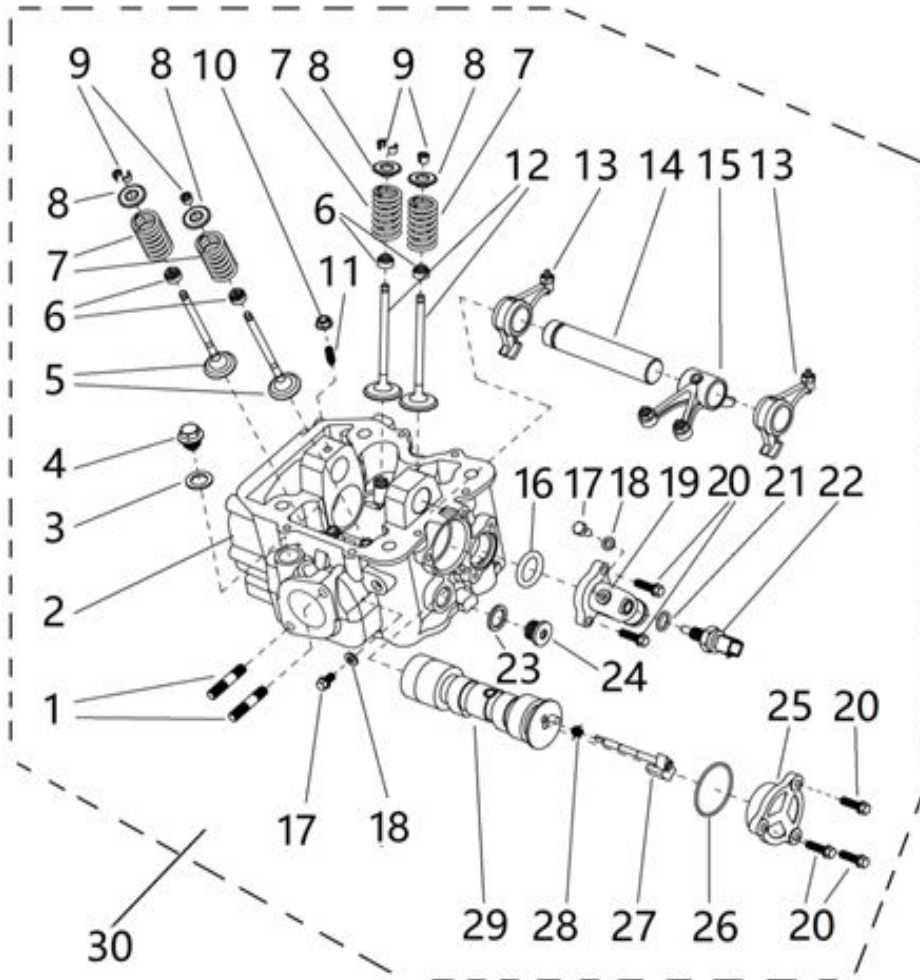
Bighorn 550 B/DX/DXH ENGINE PARTS LIST

19. CARBON CANISTER COMPONENT

NO.	PART NAME	PART NO.	QUANTITY
1	Canister	1MR8148000	1
2	Canister solenoid valve	1MR8147000	1
3	Canister solenoid valve plate	3MU7214000	1
4	Tube (Solenoid valve-Canister)	1MR1392400	1
5	Tube (Solenoid valve-Throttle body)	1MR1392500	1
6	Tube (Canister-Tank)	1MR1392600	1
7	Canister plate, up	3MU7211000	1
8	Canister plate, down	3MU7212000	1
9	Bolt M6×16 (GB/T 5789)	9186306016166300	5
10	Clip φ11.5	9673311500005300	5
11	ECU(CARB)	1MR8146010	1
12	Clip φ10	9673310000005300	1

Bighorn 550 B/DX/DXH ENGINE PARTS DIAGR

20. CYLINDER HEAD ASSEMBLY(FOREIGN TRADE ACCESSORIES)



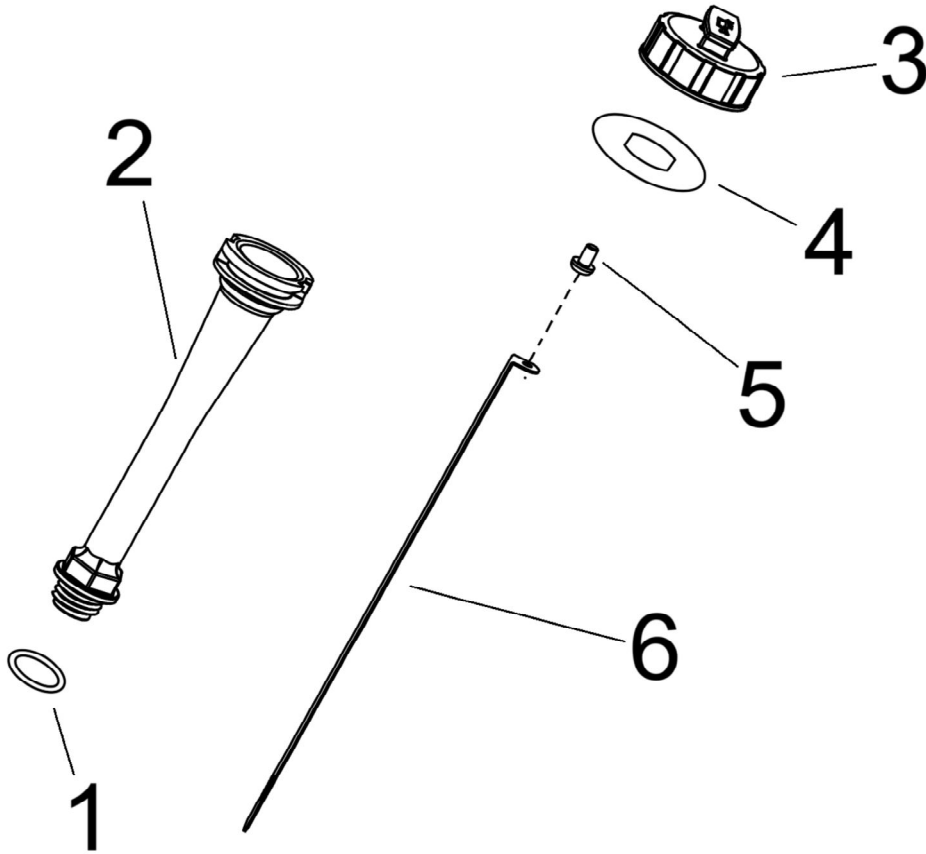
Bighorn 550 B/DX/DXH ENGINE PARTS LIST

20. CYLINDER HEAD ASSEMBLY(FOREIGN TRADE ACCESSORIES)

NO.	PART NAME	PART NO.	QUANTITY
1	BOLT STUD M8×42	9120308042362300	2
2	CYLINDER HEAD ASSY.	1MR1110100	1
3	ALUMINUM WASHER 14	1MQ4611500	1
4	SCREWED PLUG M14×1.5	1MR1249000	1
5	EXHAUST VALVE	1MR1212100	2
6	VALVE SEAL ASSY.	1MR1211900	4
7	SPRING VALVE	1MR1211300	4
8	RETAINER SPRING VALVE	1MR1211600	4
9	COTTER VALVE	1MR1211800	8
10	NUT M6	1MR1246700	1
11	SLOTTED SET SCREWS WITH CONE POINT M6×17	1MR1246600	1
12	INTAKE VALVE	1MR1211100	2
13	INTAKE SIDE ROCKER ARM VALVE	1MR1215000	2
14	ROCKER SHAFT	1MR1215610	1
15	EXHAUST SIDE ROCKER ARM VALVE	1MR1215100	1
16	O-RING 21.5×5	1MR1246500	1
17	BOLT M6×12	9186306012162300	2
18	WASHER 6.5	1ME1132100	2
19	THERMOSTAT HOUSING	1MR1246200	1
20	BOLT M6×20	9184306020362300	5
21	ALUMINUM WASHER 10	1MR1512600	1
22	COOLANT SENSOR	1MR1246300	1
23	ALUMINUM WASHER 16	1MR1248700	1
24	SCREWED PLUG M16×1.5	1MR1248800	1
25	CAMSHAFT COVER	1MR1217500	1
26	O-RING 43×2	1MR1217700	1
27	VACUUM CENTRIFUGE AXIS	1MR1228000	1
28	DECOMPRESSION RETURN SPRING	1MR1228700	1
29	CAMSHAFT	1MR1217810	1
30	CYLINDER HEAD ASSY. (FOREIGN TRADE)	1MRX111020	1

Bighorn 550 B/DX/DXH ENGINE PARTS DIAGR

21. OIL DIPSTICK ASSEMBLY



Bighorn 550 B/DX/DXH ENGINE PARTS LIST

21. OIL DIPSTICK ASSEMBLY

NO.	PART NAME	PART NO.	QUANTITY
1	O-RING 19×3	9960030190000001	1
2	DIPSTICK PIPE	1MR1537300	1
3	DIPSTICK CAP	1MR1537200	1
4	RUBBER GASKET	1MR1537400	1
5	SCREW M5×10	9214350100002300	1
6	DIPSTICK ROD	1MR1536900	1