



WARMZY

HEATING PLATE
for baby chicks



USER MANUAL



hatchingtime™

www.hatchingtime.com



PLEASE READ THIS USER GUIDE BEFORE FIRST USE

- Use this heating plate only in a dry and moisture free environment and only for the purpose it has been developed for: the warming of chicks and their rearing.
- Connect the product only to a power supply that has been installed by a qualified electrician and only after the product has been placed correctly: horizontal on 4 legs and with the upper part pointing upwards (exactly as shown in the picture on the box).
- At any time, the minimum height settings of 30mm from the litter should be observed.
- The device should never be used without legs, being opened, repaired or immersed in liquids.
- Return of the product, in case of malfunction, should be to the original supplier, including the receipt, all accessories and the description of the malfunction.
- The warranty expires, if the product has been opened, in case of material damage, erroneous use, modifications, repairs by unauthorised dealers, careless use or if the product has been used for other purposes than the one it has been made for: the rearing of chicks.
- The warranty is also void in the case of damages caused by accidents and catastrophes, such as fire, flood, earthquake, war, vandalism or theft.
- Under no circumstances the manufacturer will be liable for wrong use or amendments of the product or any consequential or incidental damages, loss of profit or other economic damage resulting from the use of this product.
- This appliance is not intended for use by persons (including children) with reduced physical, sensory or mental capabilities
- Children should be supervised to ensure that they do not play with the appliance
- If the supply cord is damaged, it must be replaced by the manufacturer, its service agent or similarly qualified persons in order to avoid a hazard
- This product is intended to be used at a minimum height of 50 cm above the floor.
- Never place anything on top of this heating plate. The only exception is our own cover, made of strong clear PET. This cover is especially developed for the Warmzy Heating Plate series.
- At least 2 sides (including a long side) of the heating plate have to stay fully open to avoid overheating!



WARMZY

HEATING PLATE
for baby chicks

1 **This Box Contains**

2 **First Use**

3 **Correct Height:**

4 **Budget & Economy**

5 **Cleaning & Storage**



hatchingtimeTM

www.hatchingtime.com

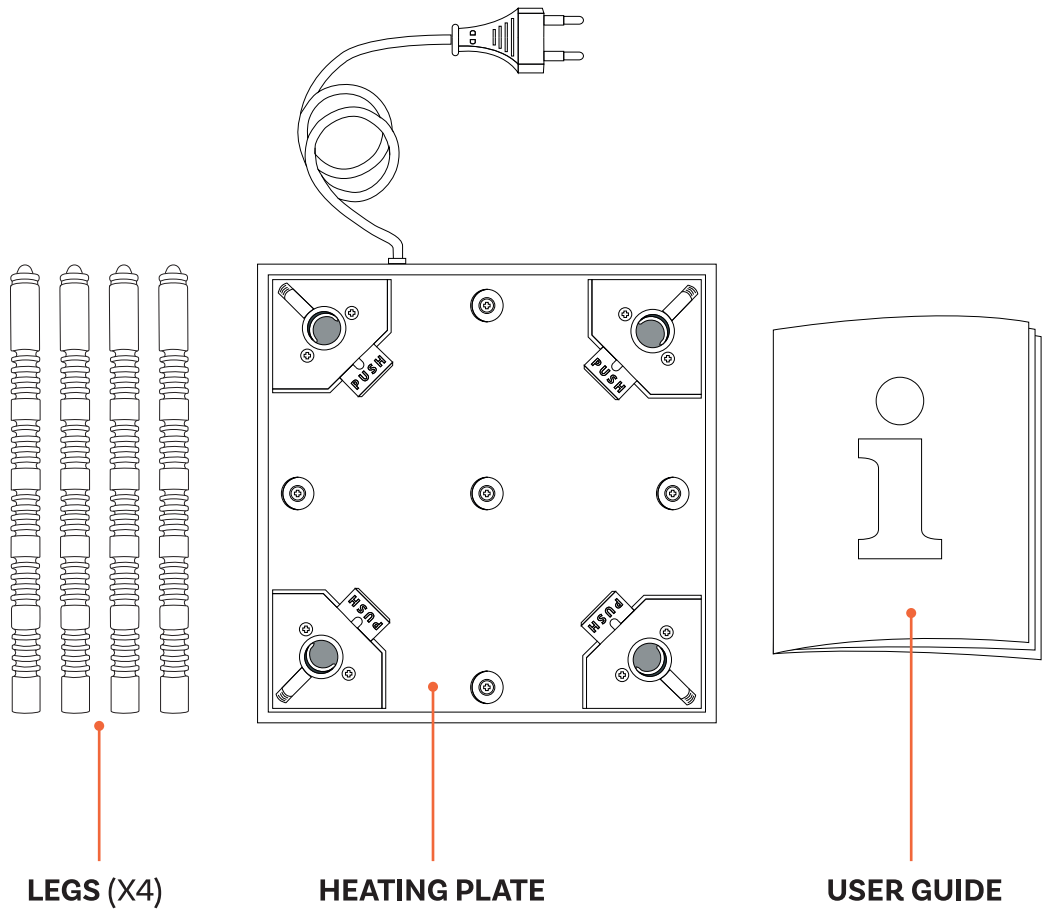
WARMZY

HEATING PLATE
for baby chicks

This Box Contains

1

Congratulations on the purchase of your new Warmzy Chick Brooder!



Little chicks grow fast! But only if you provide them with everything they need. Your new Warmzy Chick Brooder takes care of this. This user guide helps you to use this revolutionary product in the correct way.

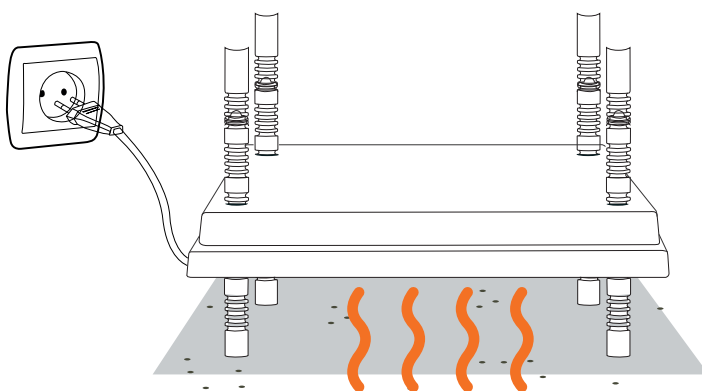
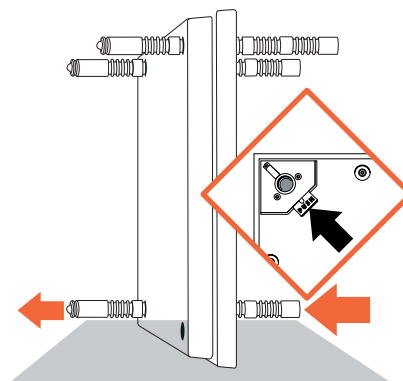


**PLEASE READ THIS USER GUIDE
BEFORE FIRST USE**

First Use

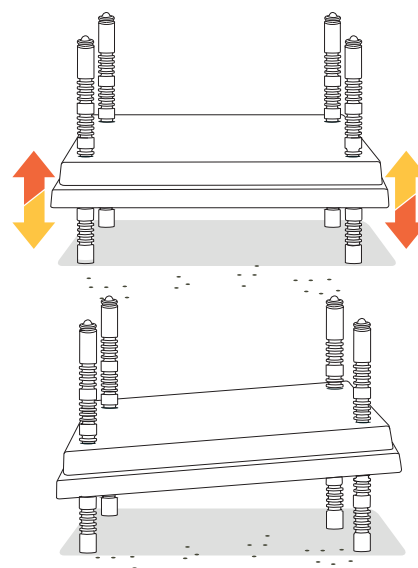
Connect the yellow legs to the heating plate before its use.

Put the heating plate on its side and insert a leg into each of its corners. To insert the leg, push the yellow slide (PUSH) and insert the leg with the round end upward, until you have reached the desired height. Release the slide. If you hear the slide “clicking” the leg has been secured correctly. If not, please move the leg a little until you hear it “click”. Make sure all legs are secured!



When all legs have been mounted to the right height, the heating plate can be placed into the rearing unit.

Connect the plug to the power supply and you will see the red LED indication lighting up. After approximately 60 minutes the maximum reached, and the chicks can be released near the heating plate.



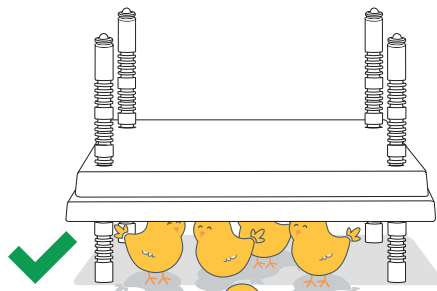
Adjusting the height

The Warmzy Heating Plate should increase in height along with your chick's growth. This way the chicks get the warmth they need in each growth phase. As your chicks grow, adjust the leg height at least once a week. You may use the height of the chicks as a guideline for the adjustment of the leg height of your heating plate. During the first days it is advisable to slightly reduce the height of the heating plate to make sure they get the heat they need. The use of measuring instrument to check the ideal temperature is not necessary. The chick's behaviour will tell if the height is right or not.

! **Suggestion:** one chick is not the same as the other one. Therefore, adjust 2 legs of the heating plate on one side slightly lower than the other side. This way the heating plate will be sloping and the goal of the perfect height setting for every chick is therefore achieved, regardless Adjusting the height: their differences in the chick's growth and warmth need.

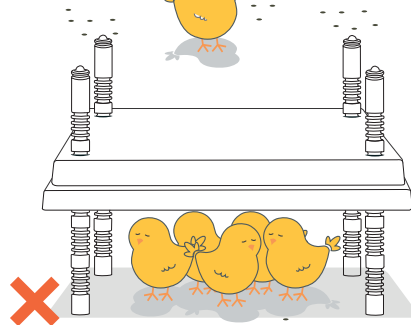


Correct Height



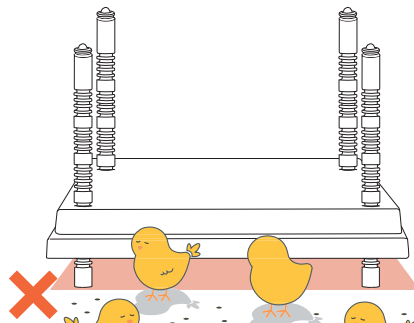
Correct height setting

The chicks stay calm and quiet under the heating plate. They leave from underneath the heating plate to get food and to drink. After that they go back under. They look comfortable and remain quiet and don't cheep or huddle.



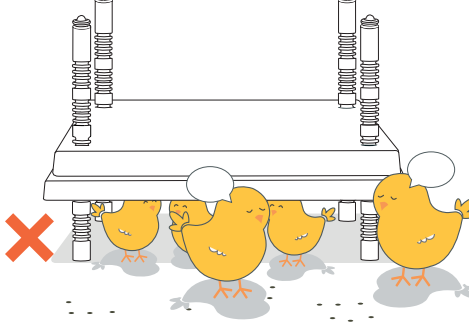
If the height setting is too high [!]

The chicks stay under the heating plate all the time but are restless, standing and huddling. They almost never leave the heating plate to drink or eat. They're acting uncomfortable and cheep a lot more. To remedy, lower the heating plate and check out of your chicks again until they're comfortable.



The height setting is too low [!]

The chicks struggle to go underneath the heating plate. Also, if the temperature is too high the chicks will not stay under the heating plate and tend to huddle in a corner away from the plate. Please raise the height and check again.



Monitor the height setting

Despite of the right height setting, chicks will grow so the heating plate must be raised with the chick's growth. Raise the heating plate about once a week.



**PLEASE READ THIS USER GUIDE
BEFORE FIRST USE**

Budget & Economy

4



Warmzy Chick Brooder reduces the energy waste almost to almost nothing...

Because its heat is directly available underneath or not lost through the top of the plate. This, in contrast to a heating bulb, which radiates heat over a much larger environment.

In comparison to a common heating bulb, you will already earn back your investment in energy savings from your heating plate in budget and economy an average 6-13* weeks.

Cleaning & Storage

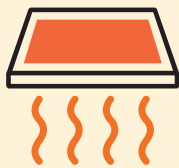
5

The Warmzy heating plate is easy to clean with a damp cloth. In case it's necessary, you may first remove the excess dried faeces with a scraper. Please store the product, after cleansing, carefully in its original box for a longer lifespan. Never submerge your heating plate in water.

Even easier cleaning

Specially developed for the Warmzy Heating Plate series: a cover, made of strong clear PET, which solves once for all the known problem of dirt on the heating plate. Chicks that want to jump onto the heating plate top will slide straight off and down again due to the covers sloping design. After use, the cover can be cleaned rinsing simply with hot water to remove the dirt. The heating plate can also be equipped with a temperature controller (WPR), to control the temperature. Ask your dealer for the possibilities.

WARMZY



NATURAL

Mimics natural behaviour of mother hen

SAFE

Double safety with temperature and resistance fuses

MULTIPURPOSE

For all kind of birds like chicken, quail, pheasant, duck, geese

SIMPLE

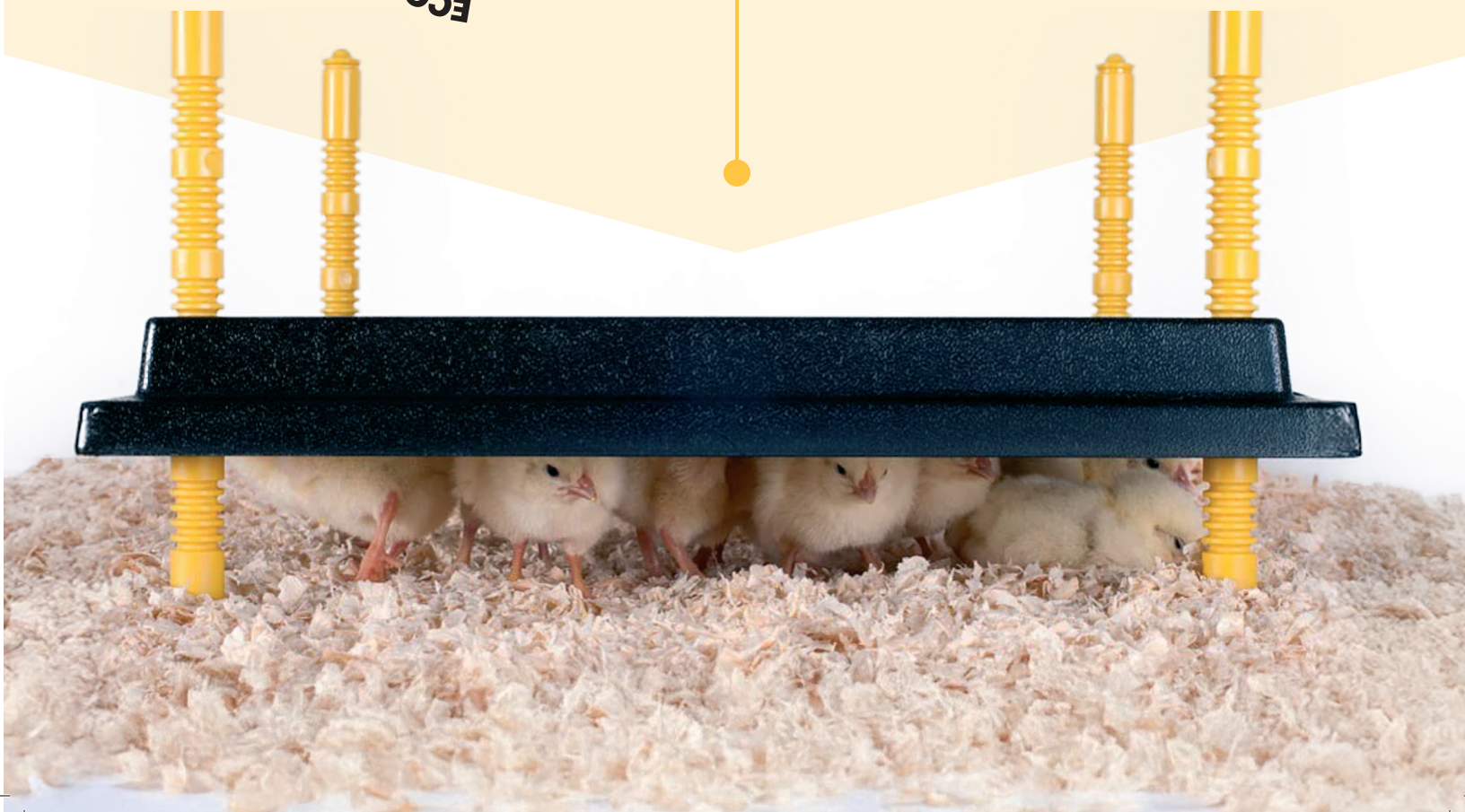
Simple use and unique height adjustment system

ECONOMIC

More than 10x energy savings vs heat lamp

INNOVATIVE

Innovative design. Developed and produced in Holland





**PLEASE READ THIS USER GUIDE
BEFORE FIRST USE**



hatchingtimeTM

www.hatchingtime.com



WARMZY

HEATING PLATE
for baby chicks



hatchingtimeTM

Hatching Time LLC
11 Boulden Circle, Suite A,
New Castle, DE 19720



Made in PRC

www.hatchingtime.com