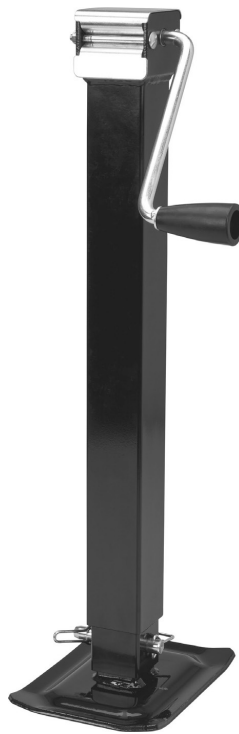




TRV 7000 LB SIDE WIND SQUARE TUBE TRAILER JACK

6039136



WARNING:

Read, Understand, Follow and Save These Instructions.

Failure to follow all warnings and instructions may result in product failure, property damage, serious personal injury.

The warnings, cautions and instructions discussed in this instruction manual cannot cover all possible conditions or situations that could occur. It must be understood by the operator that common sense and caution are factors which cannot be built into this product, but must be supplied by the operator.

Basic Safety Information

Keep work area clean and well lit. *Cluttered or dark areas invite accidents.*

Personal safety

- Stay alert, watch what you are doing and use common sense when operating a tool. Do not use a tool while you are tired or under the influence of drugs, alcohol or medication.**
A moment of inattention while operating tools may result in serious personal injury.
- Use personal protective equipment. Always wear eye protection.** *Safety equipment such as non-skid safety shoes or a hard hat used for appropriate conditions will reduce personal injuries.*

Service

Have your tool serviced by a qualified repair person using only identical replacement parts.
This will ensure that the safety of the tool is maintained.

Specific Safety Warnings

- All welding must be performed by an AWS certified welder to meet all applicable safety regulations by DOT, NHTSA, and all other governmental and standards agencies.
- Do not exceed rated capacity.
- Use on flat, level, hard surface capable of supporting load.
- Wear ANSI-approved safety goggles during use.
- Prevent trailer wheels from moving using wheel chocks while raising or lowering.
- Before towing, fully retract Trailer Jack.
- Keep out from under jack and tongue when applying and releasing load or when jack is supporting load.
- Inspect before use. Do not use if parts are loose or damaged.
- Mount and use in accordance with the Department of Transportation (DOT) regulations.
- Maintain labels and nameplates on the tool. These carry important safety information.
- Apply force to jack vertically only. Side forces will compromise the jack.
- Do not use blocks for additional ground clearance.
- Do not climb aboard any vehicle supported by jack.
- This product is not a toy. Keep it out of reach of children.
- Follow all state regulations for towing when using Trailer Jack, including using safety chains securely attached to the towing vehicle when the trailer is hooked to the vehicle.
- Check ground clearance carefully after installing. Do not use on any road or driveway that requires more ground clearance than this jack provides.
- Do not use for aircraft purposes.
- The warnings, precautions, and instructions discussed in this instruction manual cannot cover all possible conditions and situations that may occur. It must be understood by the operator that common sense and caution are factors which cannot be built into this product, but must be supplied by the operator.

Specifications

Lift Capacity	5,000 lb.
Static Load Capacity	7,000 lb.
Travel Length	14"
Lift Range	23" – 49"
Total Lift	14" travel length + 12" drop leg

Components

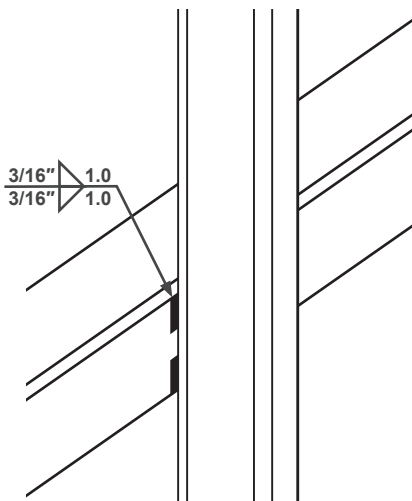


Mounting

⚠️ WARNING

TO PREVENT SERIOUS INJURY AND DEATH FROM TRAILER JACK DETACHMENT OR FAILURE:
All welding must be performed by an AWS certified welder to meet all applicable safety regulations by DOT, NHTSA and all other governmental and standards agencies.

1. All welding surfaces must be prepared and cleaned thoroughly to allow a proper weld to be created.
2. Clamp the Outer Tube to the Trailer in the needed location and weld in 4 locations total, 2x 1" welds on each side as shown. Use 3/16" fillet welds.
3. After welding, welds must be properly cleaned and painted or otherwise protected from corrosion and deterioration.



Mounting The Trailer to the Towing Vehicle

1. Before mounting, chock the trailer wheels to prevent the trailer from rolling.
2. Rotate the Crank to raise the trailer to the level of the towing vehicle's hitch.
3. If needed, the Locking Pin can be temporarily pulled out to allow the Drop Leg to be adjusted.
WARNING! TO PREVENT SERIOUS INJURY: Do not overextend the Drop Leg. Make sure to secure the Locking Pin back in place after adjustment.
4. With the assistance of a spotter, back the vehicle to the trailer.
5. Mount the trailer onto the towing vehicle's hitch.
6. Turn the Crank to retract the Jack slightly, lowering the trailer and transferring its weight onto the towing vehicle.
7. Once trailer is fully engaged, continue to retract Jack up to the "STOP" label on the Inner Tube. Trailer Jack must always be fully retracted when towing the trailer.

Dismounting The Trailer from the Towing Vehicle

1. Before dismounting, chock the trailer wheels to prevent the trailer from rolling.
2. Rotate the Crank to extend the Jack and raise the trailer.
3. Continue to extend just enough for the Trailer Jack to take the weight of the trailer. This will make it easier to disengage the trailer hitch.
4. Disengage the trailer hitch, any safety chains or other connections, between the vehicle and the trailer.
5. You may need to extend the Jack further to clear the trailer hitch. When the vehicle is completely clear, and it is safe to do so, drive the vehicle away from the trailer.

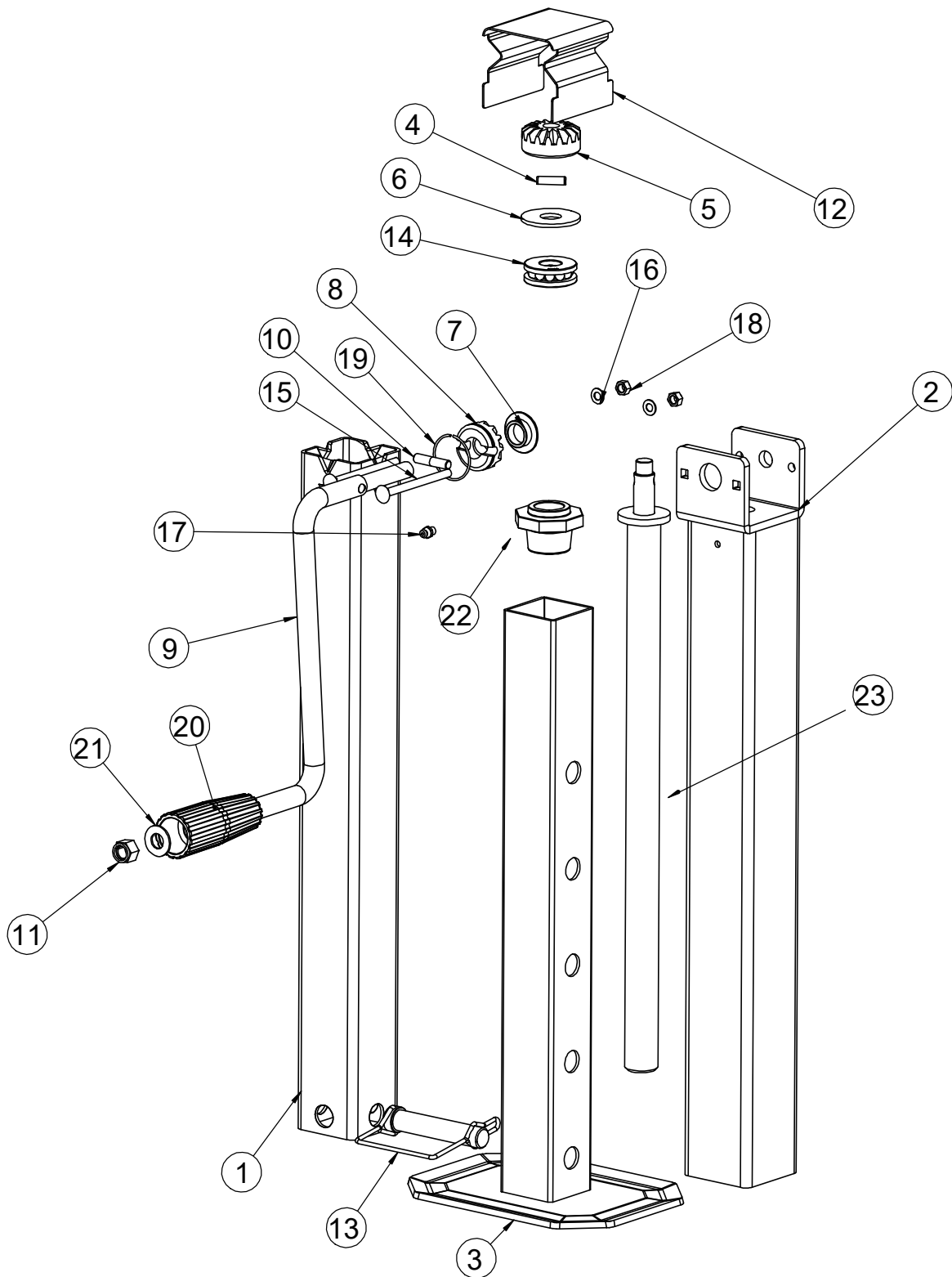
Cleaning, Maintenance and Lubrication

- BEFORE EACH USE**, inspect the general condition of the tool. Check for:
 - loose hardware,
 - misalignment or binding of moving parts,
 - cracked or broken parts, and
 - any other condition that may affect its safe operation.
- AFTER USE**, wipe external surfaces of the tool with clean cloth.
- At least annually, apply a small amount of automotive grease (not included) to the internal gearing after removing the Cover. Rotate the Hand Crank to distribute the grease evenly.
- A lightweight oil must be applied periodically at both sides of the Trailer Jack where the Hand Crank enters and exits it.

Parts List

Part	Description	Qty
1	Inner Tube	1
2	Outer Tube	1
3	Base	1
4	φ6-22mm Pin	1
5	Driven Gear	1
6	45-2.75 Washer	1
7	Retaining Ring	1
8	Drive Gear	1
9	Handle	1
10	φ7-32mm Pin	1
11	Nut	1
12	Cap	1
13	D-Ring	1
14	Bearing	1
15	M6X80 Bolt	2
16	M6 Washer	2
17	Grease fitting	1
18	M6 Nut	2
19	Ring for Drive Gear	1
20	Plastic Handle	1
21	φ13x24x1.5 Washer	1
22	Screw Rod Nut	1
23	Screw Rod	1

Assembly Diagram



Distributed by:
TRACTOR SUPPLY COMPANY
5401 VIRGINIA WAY
BRENTWOOD, TN 37027
For customer support,
call: 1-888-376-9601
www.TractorSupply.com
MADE IN VIETNAM