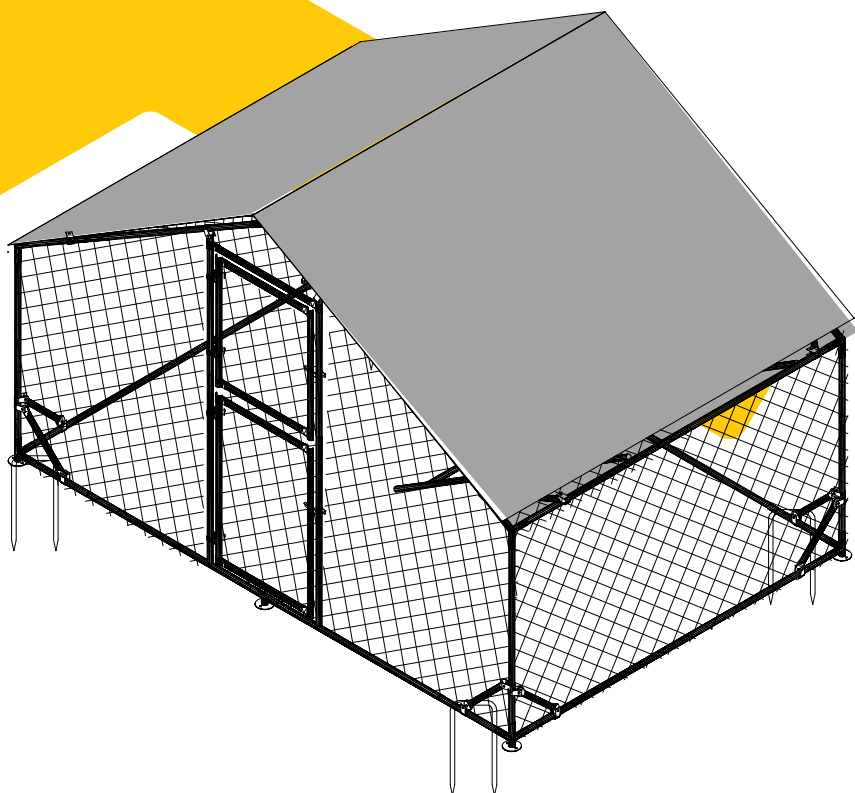


# INSTRUCTION MANUAL

AIR 7022







## NOTICE

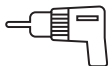
Please retain these instructions for future reference.

- Firmly secure all bolts, screws, and knobs before use.
- Check that all bolts, screws, and knobs are secure every 90 days.
- Fasten screws loosely during initial assembly. Do not fully tighten them until the item is completely assembled.
- Do not use or store this item near open flame or flammable materials.
- Be aware that some parts are heavy and have sharp edges.
- Be aware that moving parts may cause injury, crushing, or cuts.
- If any parts are missing, broken, damaged, or worn, stop using this product until repairs are made or replacement parts are installed.
- Do not use this item in a way inconsistent with the manufacturer's instructions, as this could void the product warranty.

## TOOLS REQUIRED



PHILLIPS  
SCREWDRIVER



DRILL  
(RECOMMENDED)



2-PERSON  
ASSEMBLY



APPROXIMATELY  
60 MIN ASSEMBLY

## HARDWARE

M6.0 x 45 mm bolt  
8 PCS + 1 spare



P1

Door latch  
2 PCS



P2

M8.0 x 37.5 mm bolt  
24 PCS + 1 spare



P3

Ground hooks  
10 PCS



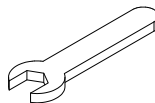
P4

Ties  
120 PCS



P5

Wrench  
1 PC



P6

Fixing rope for roof cover  
20 PCS + 1 spare



P7

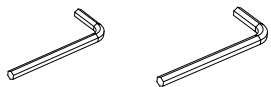
M8.0 x 25 mm bolt  
24 PCS + 1 spare



P8

# HARDWARE

L-Shaped Allen wrench  
2 PCS

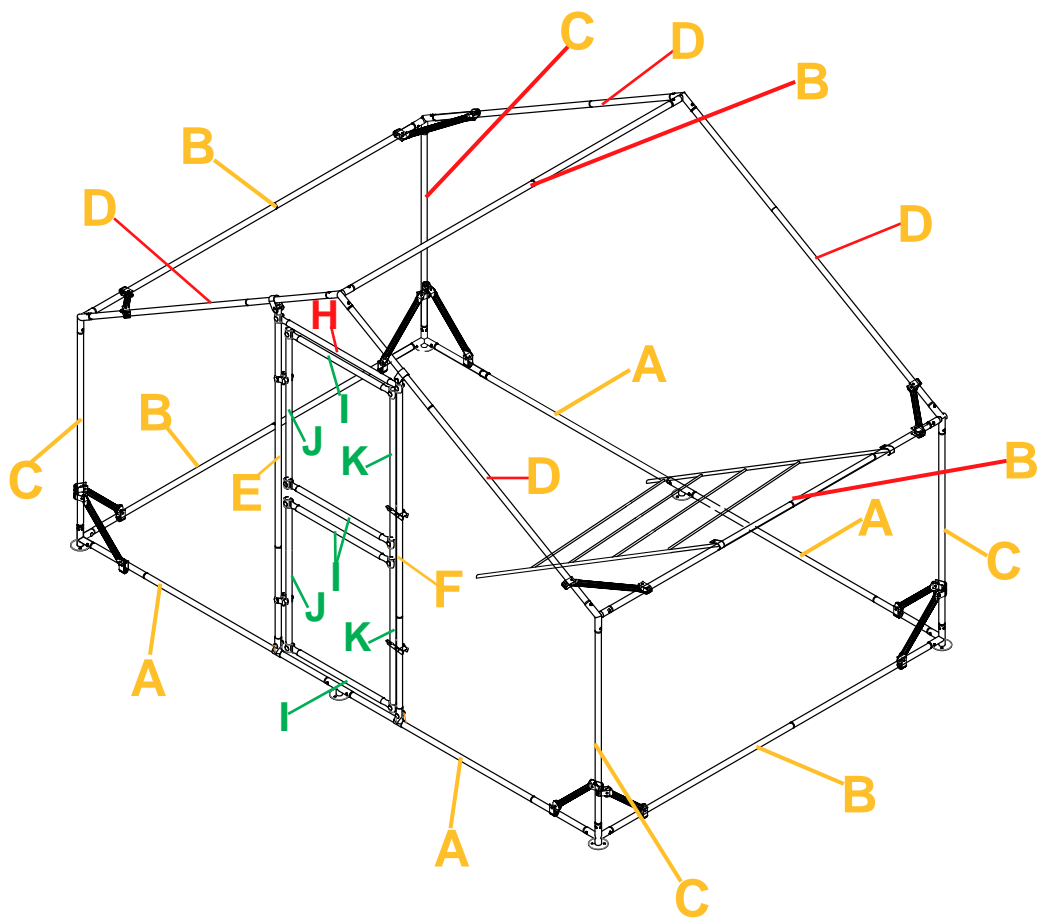


P9

Gloves  
1 pair

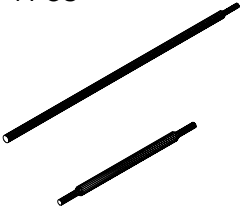


P10



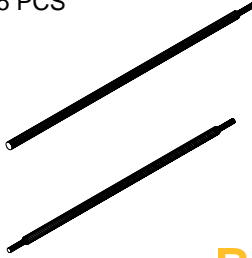
# PARTS //

Bottom iron pipe for front  
and back side  
4 PCS



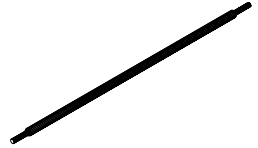
**A**

Iron pipe for left and right  
side  
5 PCS



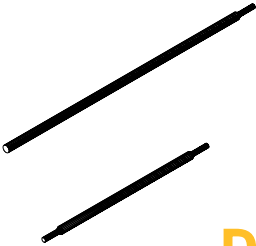
**B**

Vertical iron pipe  
4 PCS



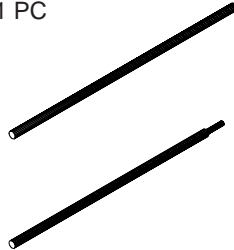
**C**

Roof iron pipe  
4 PCS



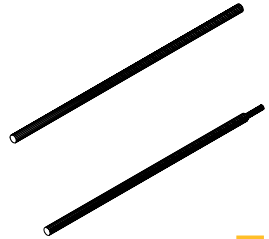
**D**

Left iron pipe for door  
frame  
1 PC



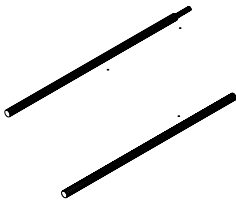
**E**

Right iron pipe for door  
frame  
1 PC



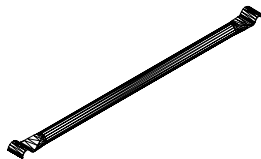
**F**

Side iron pipe for ladder  
2 PCS



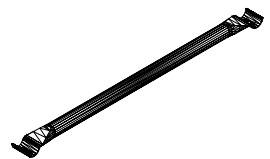
**G**

Top iron pipe for door frame  
1 PC



**H**

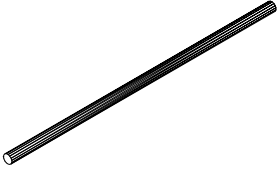
Horizontal iron pipe for  
opening door  
4 PCS



**I**

# PARTS

Left iron pipe for opening door  
2 PCS



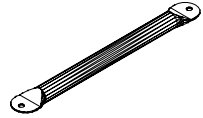
J

Right iron pipe for opening door  
2 PCS



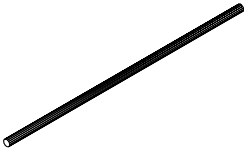
K

Corner support  
12 PCS



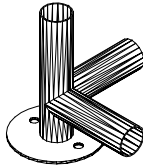
L

Horizontal iron pipe for ladder  
4 PCS



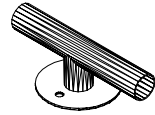
M

Three-hole bottom connector  
4 PCS



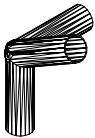
N

Two-hole bottom connector  
2 PCS



O

Three-hole connector  
6 PCS



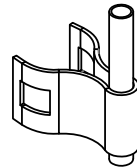
P

Connector  
8 PCS



S

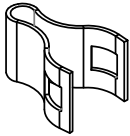
Door opener  
4 PCS



T

# PARTS //

U-shaped plastic connector  
4 PCS



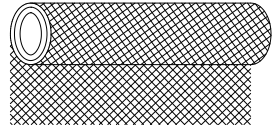
U

Top connector for door  
frame  
2 PCS



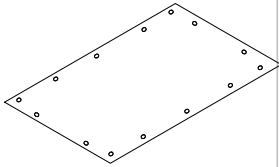
V

Wire mesh  
1 PC



W

Waterproof roof cover  
1 PC



X

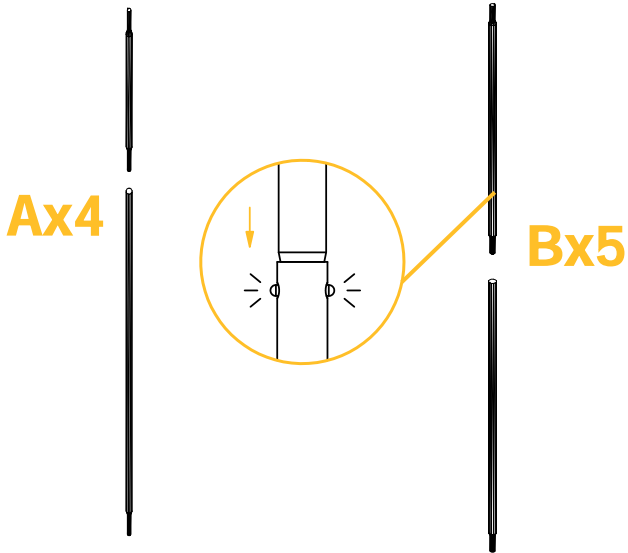
R-shaped connector  
24 PCS + 1 spare



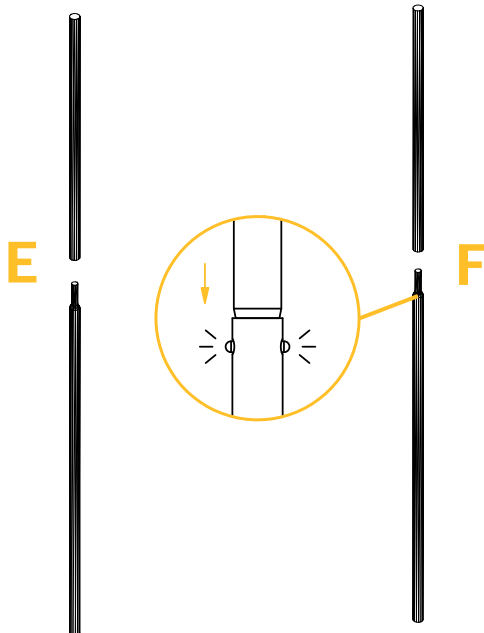
Y

# PRODUCT ASSEMBLY //

**01** Connect the long and short iron pipes of Parts A and B together.

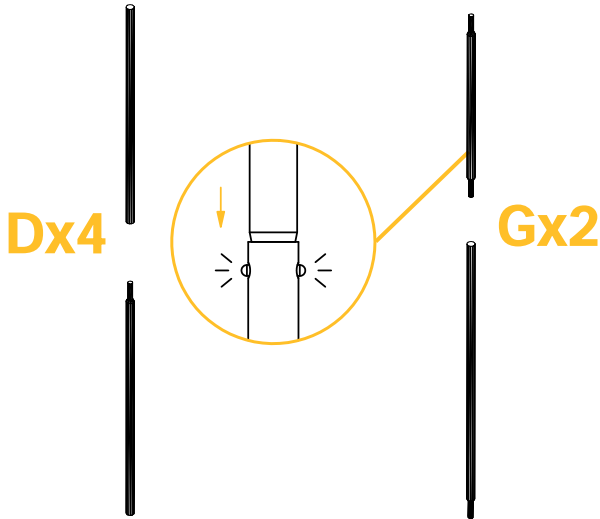


**02** Connect the long and short iron pipes of Parts E and F together.

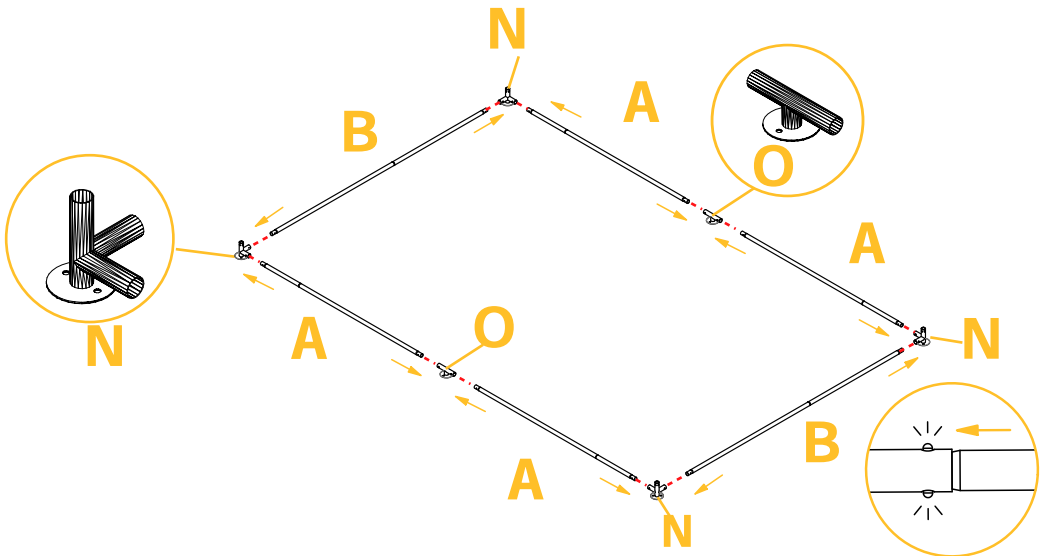


# PRODUCT ASSEMBLY //

**03** Connect the long and short iron pipes of Parts D and G together.

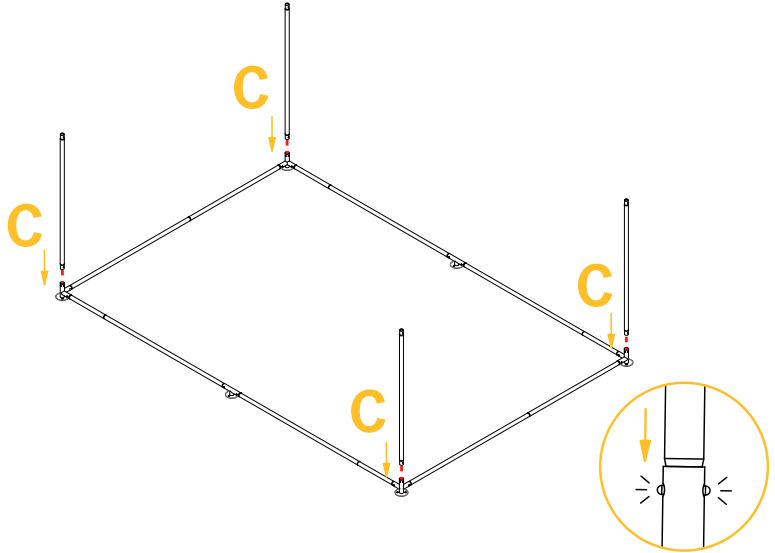


**04** Connect the bottom frame (Parts A and B) together using bottom connectors Parts N and O.

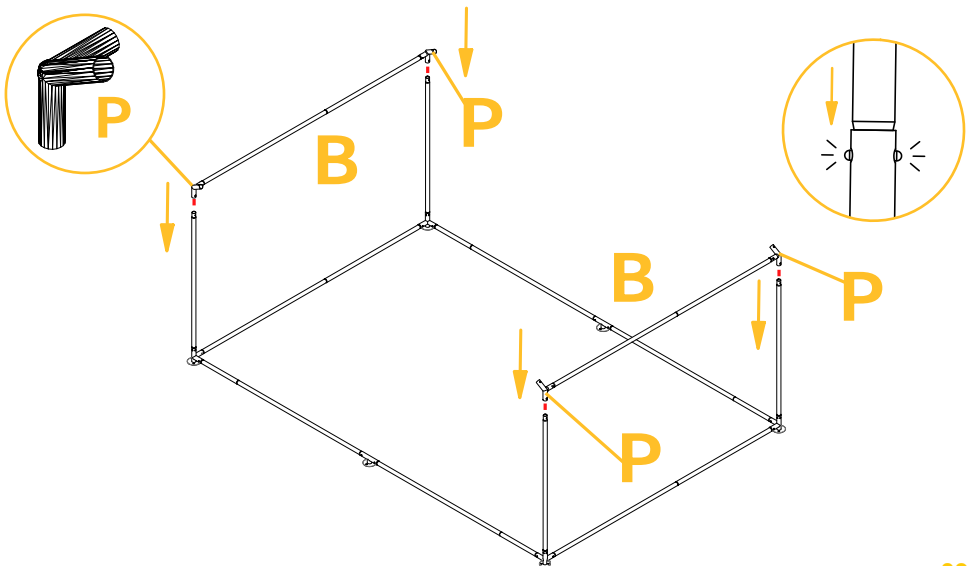


## PRODUCT ASSEMBLY //

**05** Insert the vertical iron pipe (Part C) into the bottom frame.

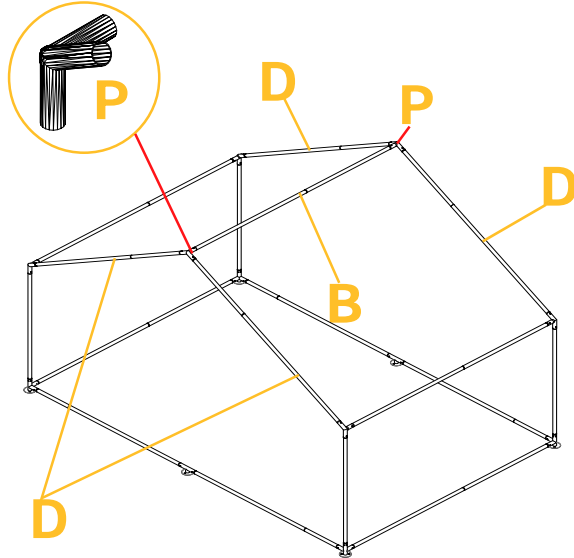


**06** Attach the iron pipe (Part B) using connector Part P.

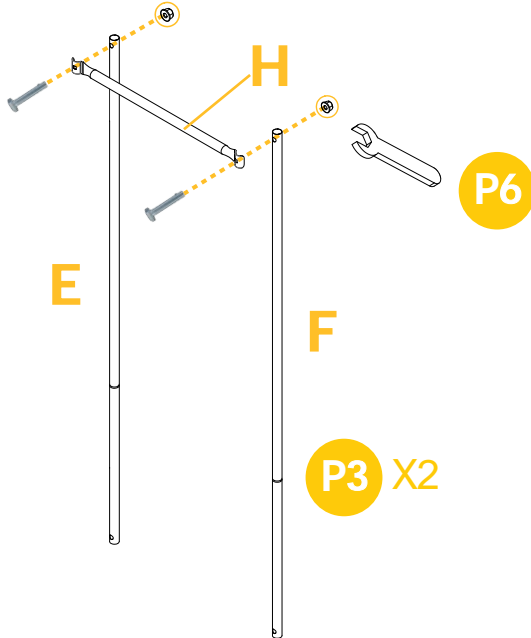


# PRODUCT ASSEMBLY //

**07** Attach the roof iron pipe (Parts B & D) using connector Part P.



**08** Connect the door frame Parts E, H and F together using 2 x P3 bolts; please tighten with the P6 wrench.



# PRODUCT ASSEMBLY //

## Attach the door frame to the front

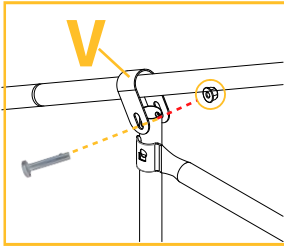
# 09

Connect the top of the door frame using 1 x Part V connector and 1 x P3 bolt on each side.

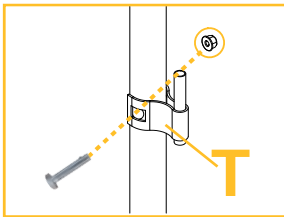
Connect the bottom of the door frame using 2 x Part S connectors and 1 x P3 bolt on each side.

Attach the door opener (4 x Part T) to the pre-drilled holes on the left door frame using 4 x P3 bolts.

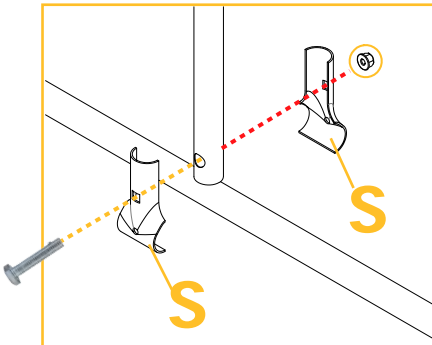
Attach 2 x P2 door latches to the right door frame.



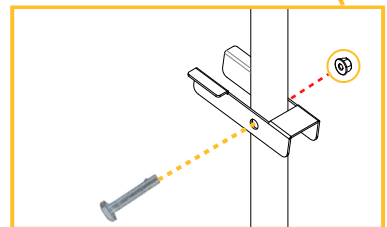
**P3** X2



**P3** X4



**P3** X2

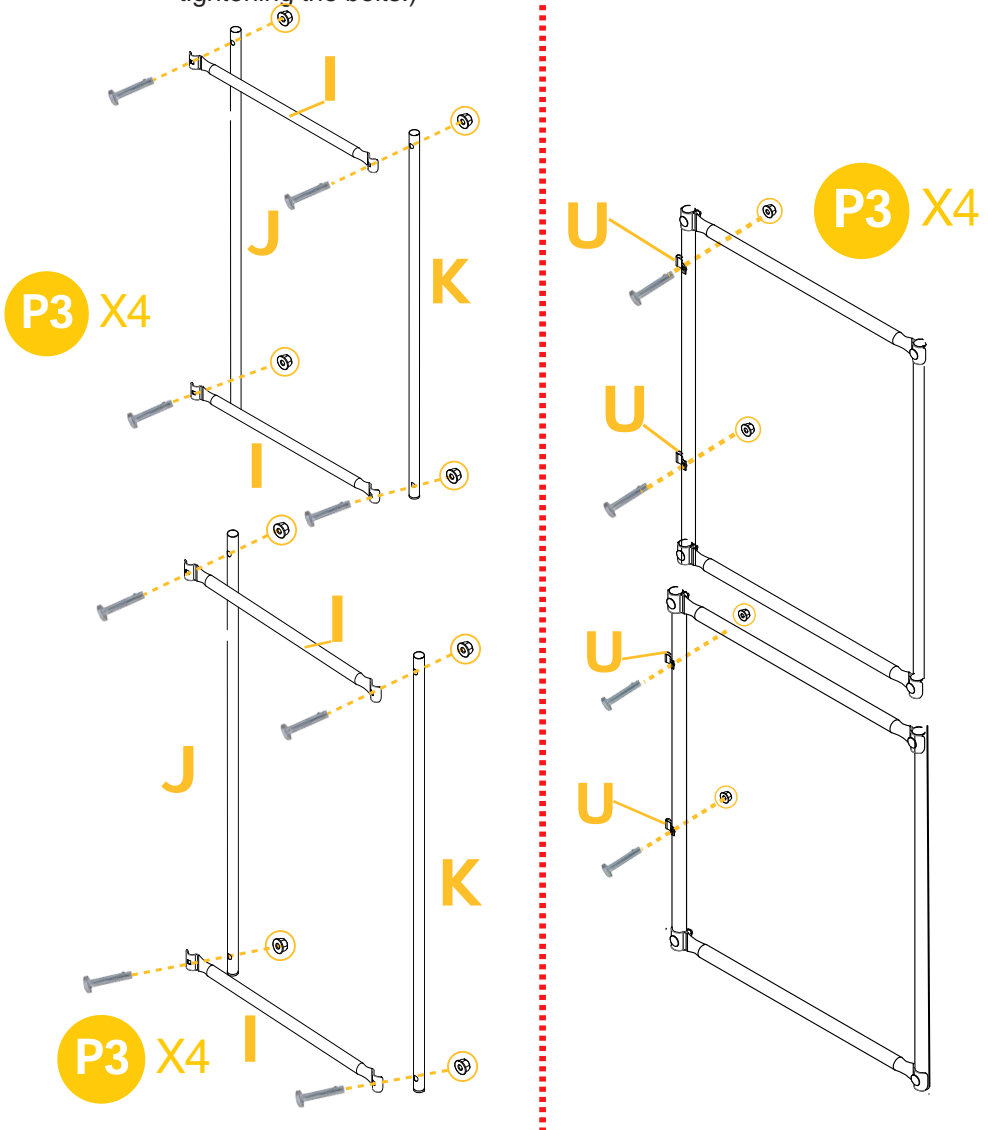


**P2** X2

# PRODUCT ASSEMBLY //

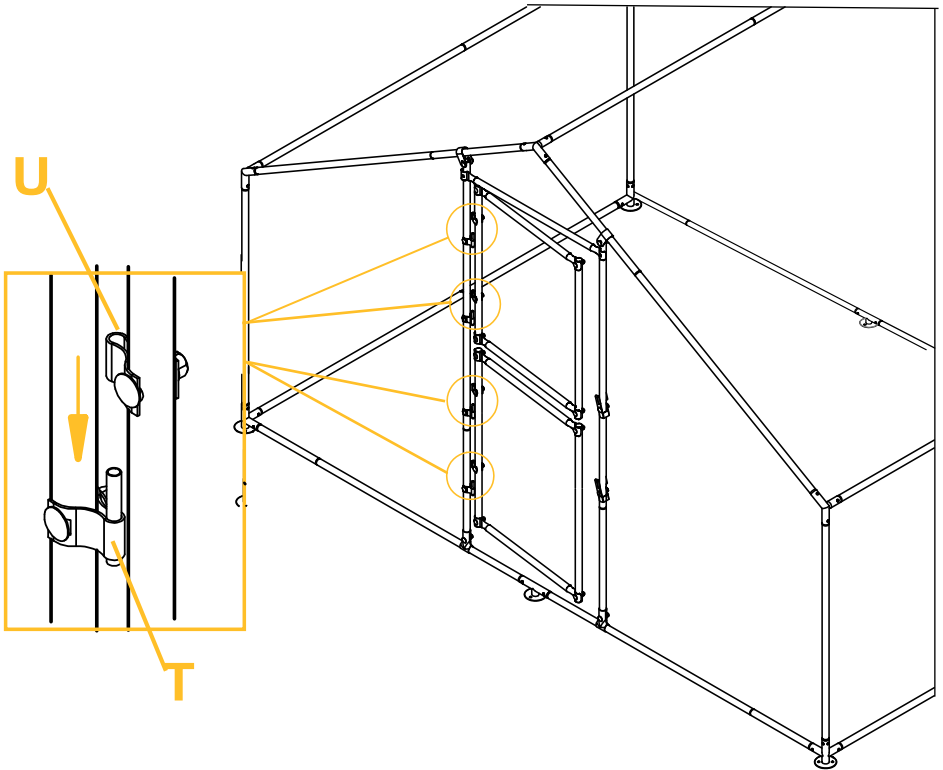
# 10

Assemble the door by connecting Parts I, J and K together using 8 x P3 bolts. Attach Part U to the left frame using 4 x P3 bolts. (Notice: Ensure that Parts U and T fit together and that the door can close before fully tightening the bolts.)



## PRODUCT ASSEMBLY //

- 11** Attach the door to the door frame by inserting Part U into Part T, then tighten the bolts on Part U.

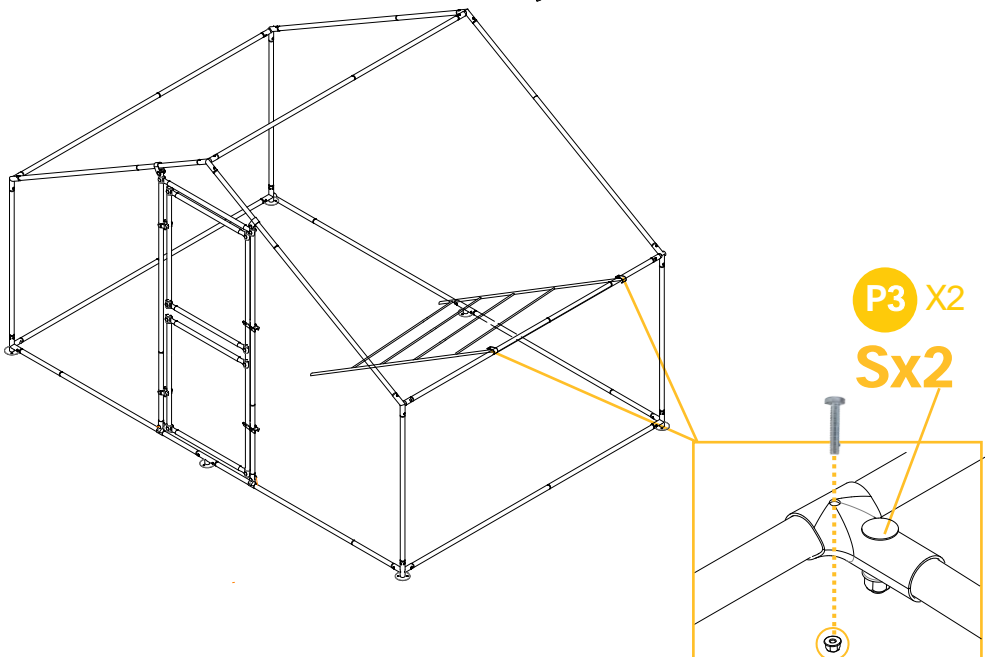
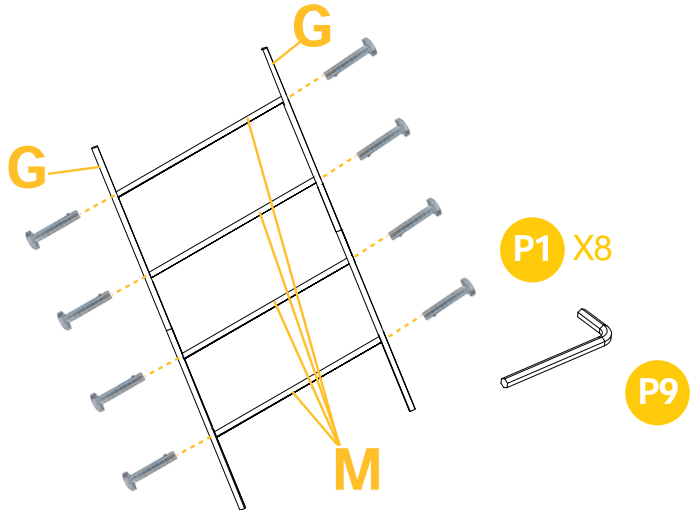


## PRODUCT ASSEMBLY //

# 12

Assemble the ladder by connecting Parts G & M using 8 × P1 bolts; please tighten with the P9 wrench.

Use connector Part S to attach the ladder using 2 × P3 bolts.

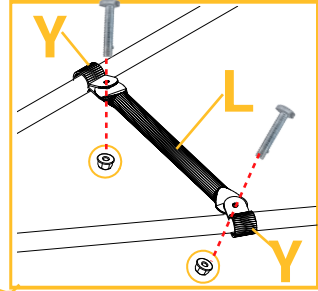
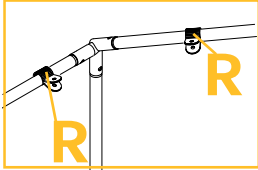


# PRODUCT ASSEMBLY //

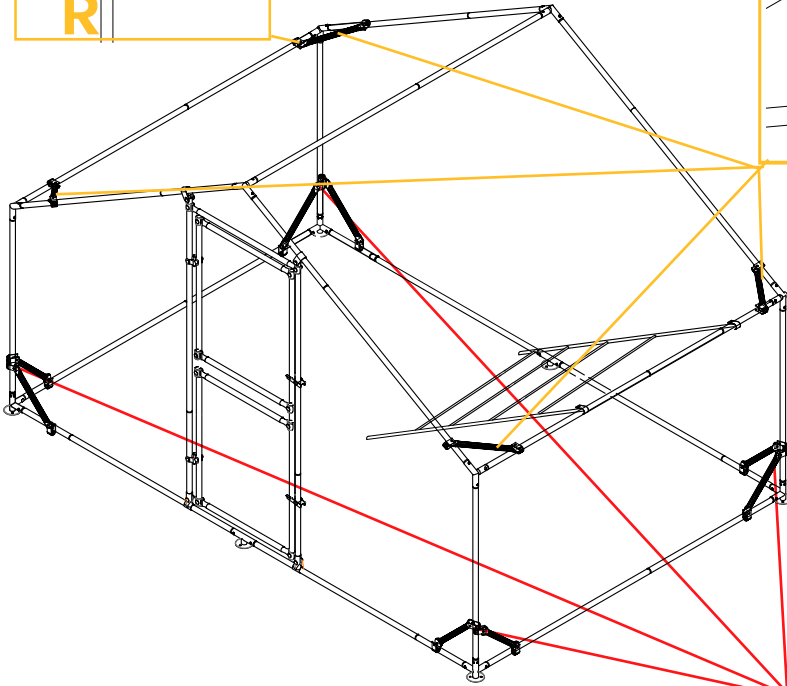
# 13

Assemble the corner supports to enhance stability.

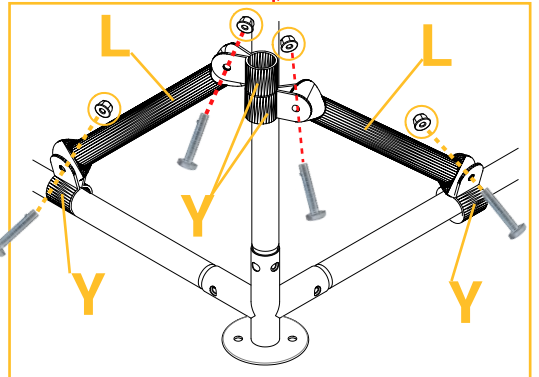
Hook the R-shaped connector onto the iron pipes, then attach the corner supports (Part L) to Part R using 2 x P8 bolts for each connection.



P8 X8

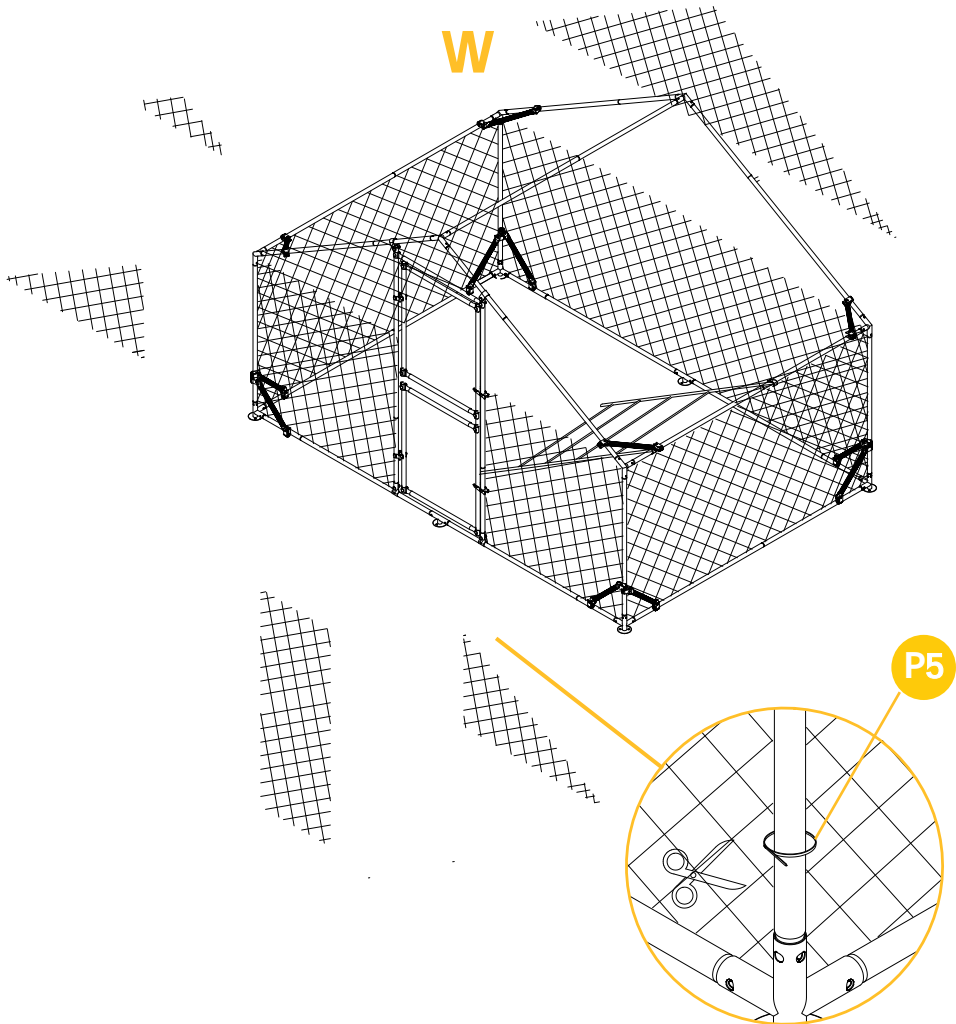


P8 X16



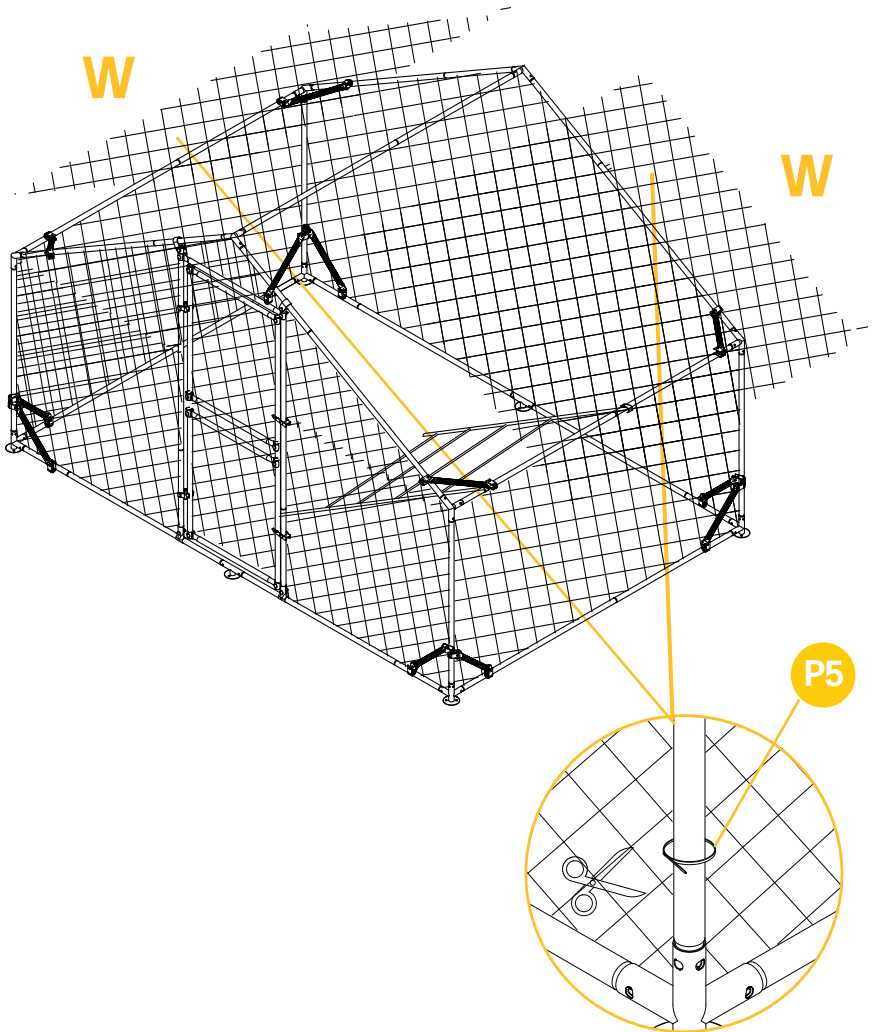
## PRODUCT ASSEMBLY //

- 14** Measure the wall size and cut the wire mesh accordingly, then use P5 ties to secure the mesh to the wall.



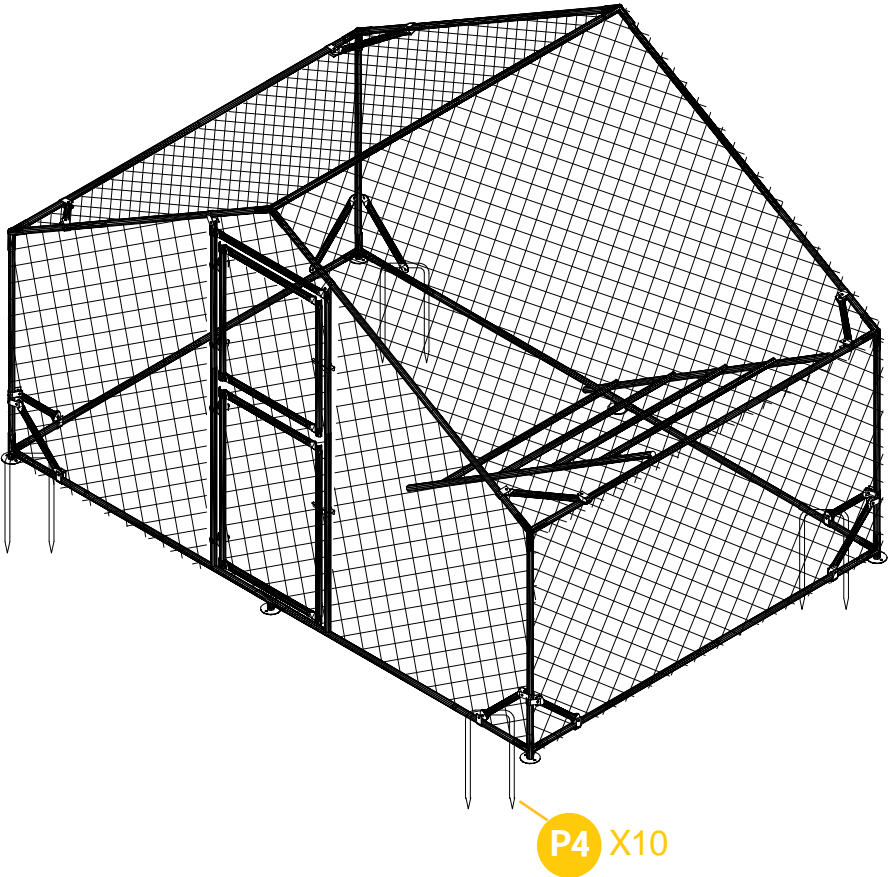
## PRODUCT ASSEMBLY //

- 15** Measure the roof size and cut the wire mesh accordingly, then use P5 ties to secure the mesh to the roof.



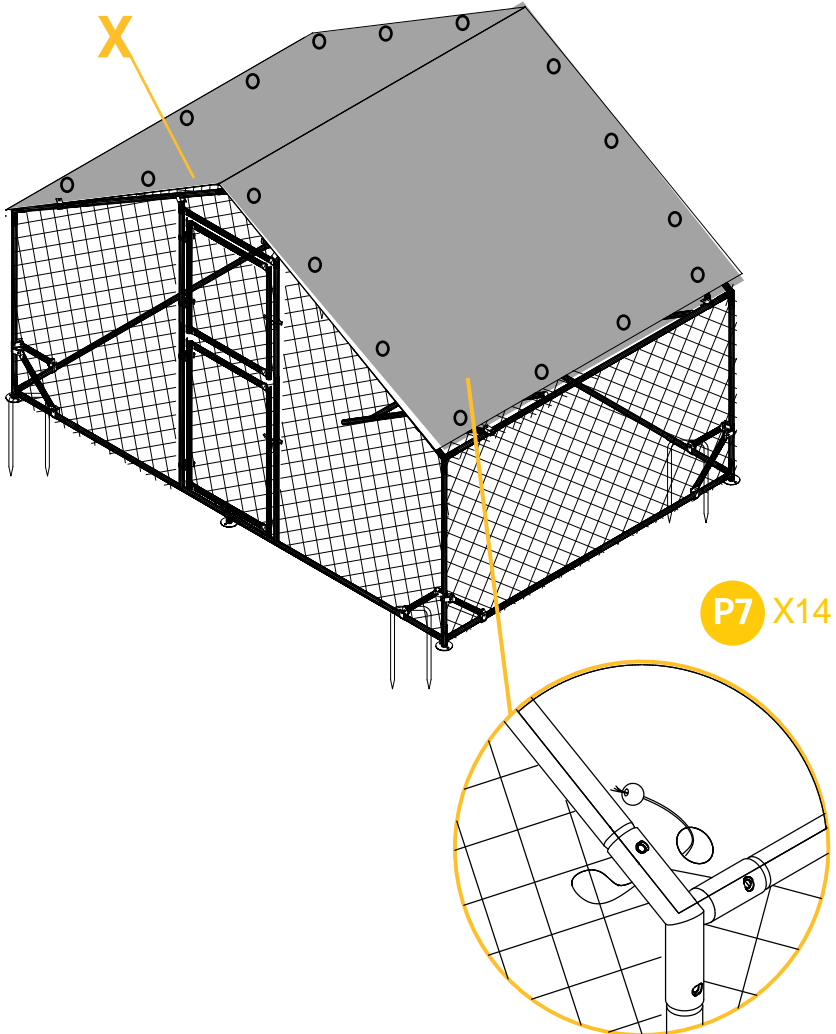
## PRODUCT ASSEMBLY //

**16** Secure the chicken run to the ground using 10 x P4 hooks.



## PRODUCT ASSEMBLY //

**17** Attache waterproof roof cover (Part X) using 14 × P7 fixing ropes.



Finish



**WARNING**

The manufacturer and seller expressly disclaim all liability for personal injury, property damage, or loss—whether direct, indirect, or incidental—resulting from improper attachment, misuse, inadequate maintenance, or neglect of this product.