

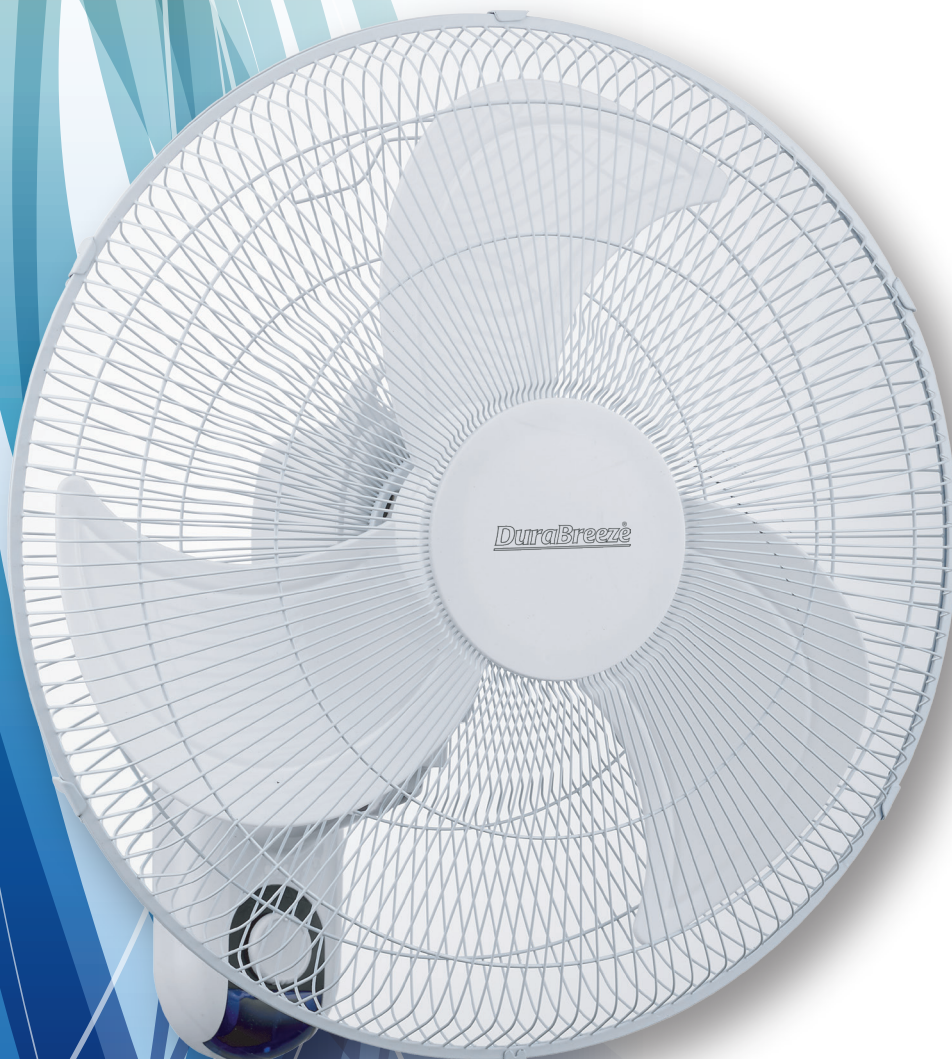


Wall Fan

16" and 18"

INSTRUCTION MANUAL

Please read instruction manual carefully before use



Intertek



CAUTION

Read and follow all instructions before operating fan. Do not use fan if any part is damaged or missing.

WARNING

1. To reduce the risk of fire or electric shock, do not use this fan with any solid state speed control device.
2. This appliance has a polarized plug which is intended to fit in an outlet only one way. If this does not fit outlet, contact a qualified electrician. Do not attempt to by-pass this procedure.
3. This product is to be used indoors.
4. Unplug from electrical supply source before cleaning.
5. If the power cord is damaged, contact your local service center or a qualified electrician to install an appropriate replacement cord to prevent any injury or damage.
6. This appliance is not intended for use by persons (including children) with reduced physical, sensory or mental capabilities, or lack of experience and knowledge, unless they have been given supervision or instruction concerning use of the appliance by a person responsible for their safety.
7. Children should be supervised to ensure that they do not play with the appliance.

RULES FOR SAFE OPERATION

1. Never insert fingers, pencils, or any other object through the guard when fan is running.
2. Disconnect the fan when moving from one location to another.
3. Disconnect the fan when removing grills for cleaning.
4. Be sure fan is on a stable surface when operating to avoid overturning.

5. DO NOT use fan in window. Rain may create electrical hazard.
6. The fan is for Home use only.
7. Do not leave the fan running unattended.

ASSEMBLY

Before commencing assembly familiarize yourself with all the assembly components (See chart and diagram).

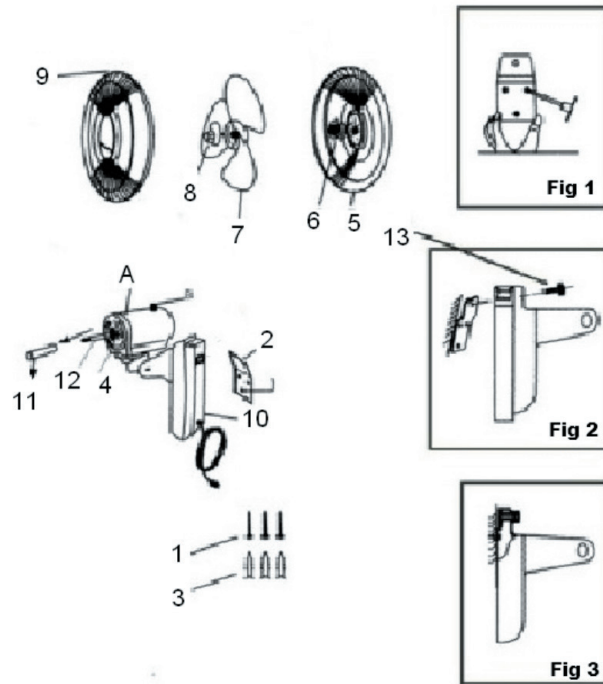
- Place 3 drywall plugs (3) into wall where bracket is to be attached.(using screws provided)
- Mount the hanging bracket (2) on the wall with the three screws provided (1).
- Hang the fan using the rear mounting plate (10) onto the hanging bracket (2) attached to the wall.
- Remove and discard plastic sleeve (11) covering motor shaft pin (12)
- Loosen rear grill securing ring (6) from the motor housing (A).
- Position rear grill (5) firmly to motor housing (A) and then fasten by turning rear grill securing ring (6) clockwise till tightened.
- Insert the fan blade (7) onto the motor shaft pin (12), matching the slot on the back of the blade with the shaft pin. Secure the fan blade using the fan blade (7) securing cap (8), turning counter-clockwise to tighten.
- Install front grill (9) over top of the rear grill (5). Fasten the two grills with the clips attached to the front grill (9).
- Fully tighten the small nut and bolt that passes through the rim of the grill.



DuraBreeze®

ASSEMBLY COMPONENTS

1. Screws
2. Hanging Bracket
3. Drywall Plugs
4. Motor
5. Rear Grill
6. Rear Grill Securing Ring
7. Fan blade
8. Fan Blade Securing Cap
9. Front Grill
10. Rear Mounting Plate
11. Plastic Sleeve
12. Motor Shaft Pin
13. Special Safety Screw



OPERATING

- Pull down on the operating cord to "1", "2" or "3" to select the corresponding low, middle or strong wind. "0" to stop running.
- Pull down on the oscillation cord to start and stop oscillation. The unit can also turn 90 degrees to the left and right.
- To adjust the tilt angle of fan head by simply moving the grill handle up or down

5. Close fuse cover. Slide closed the fuse access cover on top of attachment plug. (see fig.3).
6. Risk of fire. Do not replace attachment plug. Contains a safety device (fuse) that should not be removed. Discard product if the attachment plug is damaged.



Figure 1



Figure 2



Figure 3

USER SERVICING INSTRUCTIONS

1. Grasp plug and remove from the receptacle or other outlet device. Do not unplug by pulling on cord
2. Open fuse cover. Slide open fuse access cover on top of attachment plug towards blades. (see fig.1)
3. Remove fuse carefully. Remove the fuse by prying it out carefully. (see fig.2)
4. Risk of fire. Replace fuse only with 5 Amp Max, 125 Volt fuse

CLEANING

1. Be sure to unplug from the electrical supply source before cleaning.
2. Plastic parts should be cleaned with mild soap and damp cloth or sponge. Thoroughly remove soap film with clean water.
3. Be sure not to allow water or other liquid into the motor.



6. LIMITED WARRANTY

What This Warranty Covers

This warranty covers defects in materials and workmanship under normal use, with the exceptions stated below.

Who This Warranty Covers

This warranty applies to the original purchaser of this product with the original proof of purchase.

How Long Warranty Coverage Lasts

This warranty is in effect for a period of 1 year from the original date of purchase.

What This Warranty Does Not Cover

This warranty does not cover damage or defects resulting from the improper installation, alteration, abuse, accidental damage, unauthorized repair or misuse of this product. Misuse includes but is not limited to outdoor use. This warranty does not apply to cosmetic defects or other defects that do not affect the functionality of the product, and is void if the product has been damaged as a result of fire, flood, or other natural disaster. DuraBreeze shall not be responsible for any incidental or consequential damages of any nature, including damage or injury caused to other products, machinery, buildings or property; loss of profits, time or product; or inconvenience. The original proof of purchase MUST accompany the DuraBreeze product for this warranty to be valid. This warranty is given in lieu of all other warranties, express or implied, including without limitation merchantability and fitness for a particular purpose.

Some states do not allow the exclusion or limitation of incidental and consequential damages, or limitations on how long an implied warranty lasts, so the above limitation(s) may not apply to you.

What DuraBreeze Will Do

If DuraBreeze determines the warranted product is defective in materials or workmanship during the warranty period, then DuraBreeze, at its option, will either repair or replace the product. In no event shall the cost of repair or replacement exceed the original purchase price.

How to Obtain Warranty Service

Return this product along with the original proof of purchase to the place of purchase in accordance with store policy.

How State Law Applies

This warranty gives you specific legal rights, and you may also have other rights which vary from state to state.

For technical support and warranty information, email info@durabreeze.com.