



Quiet Fan

INSTRUCTION MANUAL

Please read instruction manual carefully before use





DuraBreeze®

QUIET FAN SERIES

DuraBreeze Quiet Fan is an inline mixed flow fan capable of medium to high static pressure. This line of fans features aerodynamically optimized airflow, quiet operation, and extremely high efficiency.

SERIES OVERVIEW

- Smooth, straight air flow
- Light and energy efficient
- Easy installation
- ETL & CE certified

IMPORTANT SAFETY INSTRUCTIONS

- Suitable for commercial and industrial use.
- This fan shall not be installed behind a suspended floor/ceiling or a structural wall, ceiling, or floor.
- CAUTION: MOUNT THE FAN AT LEAST 8 FEET ABOVE THE FLOOR ON A LEVEL SURFACE
- WARNING: To Reduce The Risk Of Fire Or Electric Shock, Do Not Use This Fan With Any Solid- State Speed Control Device.
- Unplug or disconnect the appliance from the power supply before servicing.

DANGER! Keep hands and fingers away from the blades when the fan is plugged in.

DANGER



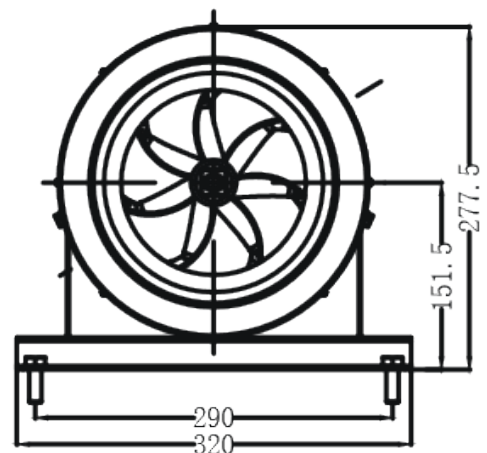
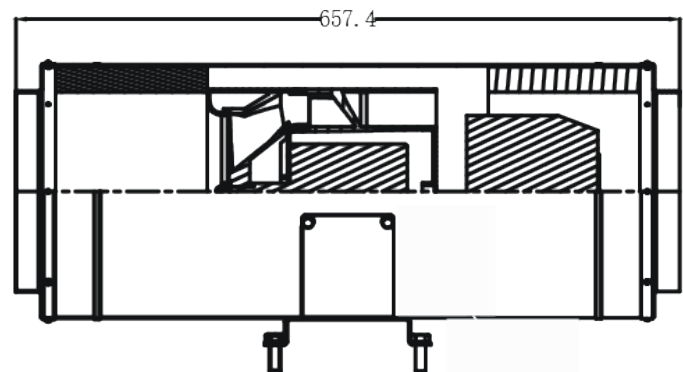
DURABREEZE QUIET FAN ADVANTAGE

Energy Efficient

- Extremely energy efficient
- Lower operation cost
- 2 years average life

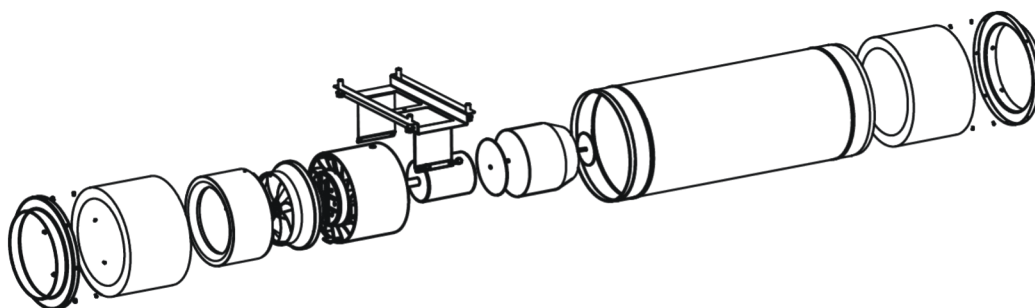
Space Saving

- Airtight housing
- Easy installation
- Lightweight

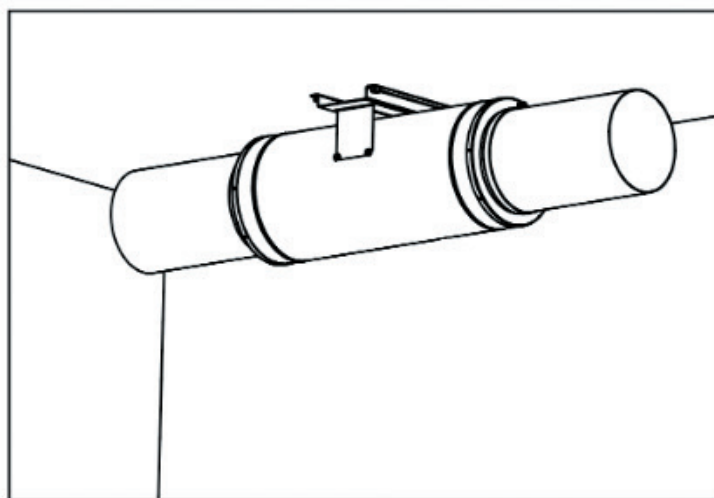




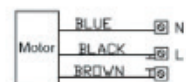
INSTALLATION DIAGRAM



REMOTE CONTROL INSTALLATION



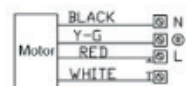
AC 6',8' 120V



AC 10' 120V-220V



AC 12' 120V



INSTALLATION, OPERATION AND MAINTENANCE

- Before use, please ensure that the voltage and frequency marked on the faceplate conform to that of your local power supply.
- The fan must be stored in the clean, dry environment.
- While operating DuraBreeze Quiet Fan should not be adjusted or moved.
- Please turn the fan off immediately if you hear any abnormal noise or if you encounter an abnormal situation while it is running. Contact a licensed electrician or a professional repair specialist for any fan maintenance.
- Ambient temperature limits: -22°F min. +131°F max. Please do not use the fan in an area with explosive or flammable substances, or where gas is stored. Avoid operating the fan in dusty areas as well.
- Maintenance work should not be attempted while the fan is running. Switch off the fan and ensure that the fan blades have stopped rotating before beginning any maintenance work.
- Mount the fan at least 8 feet above the floor on a flat surface.



6. LIMITED WARRANTY

What This Warranty Covers

This warranty covers defects in materials and workmanship under normal use, with the exceptions stated below.

Who This Warranty Covers

This warranty applies to the original purchaser of this product with the original proof of purchase.

How Long Warranty Coverage Lasts

This warranty is in effect for a period of 2 years from the original date of purchase.

What This Warranty Does Not Cover

This warranty does not cover damage or defects resulting from the improper installation, alteration, abuse, accidental damage, unauthorized repair or misuse of this product. Misuse includes but is not limited to outdoor use. This warranty does not apply to cosmetic defects or other defects that do not affect the functionality of the product, and is void if the product has been damaged as a result of fire, flood, or other natural disaster. DuraBreeze shall not be responsible for any incidental or consequential damages of any nature, including damage or injury caused to other products, machinery, buildings or property; loss of profits, time or product; or inconvenience. The original proof of purchase MUST accompany the DuraBreeze product for this warranty to be valid. This warranty is given in lieu of all other warranties, express or implied, including without limitation merchantability and fitness for a particular purpose.

Some states do not allow the exclusion or limitation of incidental and consequential damages, or limitations on how long an implied warranty lasts, so the above limitation(s) may not apply to you.

What DuraBreeze Will Do

If DuraBreeze determines the warranted product is defective in materials or workmanship during the warranty period, then DuraBreeze, at its option, will either repair or replace the product. In no event shall the cost of repair or replacement exceed the original purchase price.

How to Obtain Warranty Service

Return this product along with the original proof of purchase to the place of purchase in accordance with store policy.

How State Law Applies

This warranty gives you specific legal rights, and you may also have other rights which vary from state to state.

For technical support and warranty information, email info@durabreeze.com.