



MIXED FLOW PRO INLINE FAN

Instruction Manual



Please read instruction manual carefully before use

- **Proven aerodynamic performance**
- **Easy to install maximum efficiency**
- **Lightweight sealed housing lower monthly costs**
- **Extremely quiet**
- **Very compact size**

Assembly Instructions:

PLEASE READ ALL INSTRUCTIONS BEFORE BEGINNING INSTALLATION
CAUTION - Before carrying out any maintenance or servicing, ensure the unit is disconnected from the main power supply.

FOR GENERAL VENTILATION USE ONLY. DO NOT USE TO EXHAUST HAZARDOUS OR EXPLOSIVE VAPORS.

WARNING- TO REDUCE THE RISK OF FIRE, ELECTRICAL SHOCK OR INJURY, OBSERVE THE FOLLOWING:

- Use this unit only in the manner intended by the manufacturer.
- Afterburner™ fans are designed for use in up to 95% relative humidity. The fan is not suitable for use in corrosive or explosive environments.
- Before servicing or cleaning the unit, switch power off at service panel and lock the service disconnecting means to prevent power from being switched on accidentally.
- When the service disconnecting means cannot be locked, securely fasten a prominent warning device, such as a tag, to the service panel.
- Installation work and electrical wiring must be done by qualified person(s) in accordance with all applicable codes and standards, including fire-rated construction.
- When cutting or drilling into wall or ceiling, do not damage electrical wiring or other hidden utilities.
- Ducted fans must always be vented to the outdoors.
- NEVER place a switch where it can be reached from a tub or shower.
- To reduce risk of electrical shock, do not expose to water or rain.
- Afterburner™ fans have an unguarded impeller. Do not use in locations readily accessible to people or animals.

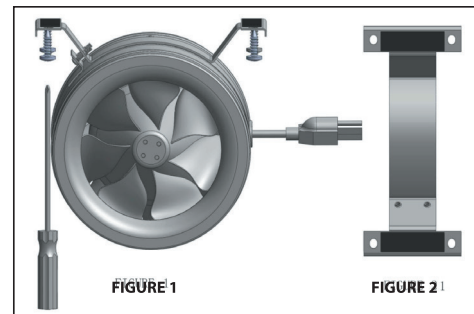
WARNING- The fan must be isolated from the power supply during installation and maintenance. The fan must be grounded in accordance with local regulations.

Instructions:

- Upon receipt, the fan equipment should be visually inspected to check for any damage. Ensure that the impeller is free to rotate.
- If you have any questions about the fan equipment, contact your retailer prior to installation.
- Use the mounting brackets supplied with the fan to mount the fan in the desired position. See Figure 1 and Figure 2 on the next page for different mounting options. The fan can be mounted at any angle.

- The fan should be mounted directly to a stud or other framing member. If this is not possible, make sure to use lag bolts or other inserts capable of supporting at least 25 lbs.
- Check the details on the motor rating plate to ensure that the correct power supply (voltage, frequency and phase) is available.
- An incorrect power supply will lead to permanent damage to the fan motor and will void the warranty.
- Means for electrical disconnection must be incorporated in the wiring installation in accordance with relevant wiring and electrical regulations.

WARNING- This fan is fitted with a non self-resetting thermal cut-out that switches the fan off in the event of a faulty condition. Turn the power off for one minute, then back on. Only a suitably qualified and competent person may carry out maintenance after the electrical supply has been isolated.



Maintenance:

- The fan bearings are sealed for life and therefore do not require any lubrication.
- We recommend inspection of the product at least once every twelve (12) months to ensure that the motor, fan blades, and supporting guards are clean. All fasteners should be checked and tightened if necessary. In addition, all rotating items should be checked periodically. To inspect the unit, disconnect from electrical supply and remove from ducting.
- If any debris is evident on the impeller, clean with a damp (not wet) cloth.
- DO NOT USE any detergents or abrasive materials for cleaning.

Warning: These products should be installed by a qualified professional. Buyer acknowledges that by purchasing these products, buyer has special knowledge on installation and use of the product or has consulted a professional on the product's installation and use. In no event will the Company or any of its subsidiaries or their parent companies be liable to you for any direct, special, indirect, consequential, incidental damages or any damages of any kind even if the Company has been advised of possibility thereof.



Limited Warranty

What This Warranty Covers

This warranty covers defects in materials and workmanship under normal use, with the exceptions stated below.

Who This Warranty Covers

This warranty applies to the original purchaser of this product with the original proof of purchase.

How Long Warranty Coverage Lasts

This warranty is in effect for a period of 2 years from the original date of purchase.

What This Warranty Does Not Cover

This warranty does not cover damage or defects resulting from the improper installation, alteration, abuse, accidental damage, unauthorized repair or misuse of this product. Misuse includes but is not limited to outdoor use. This warranty does not apply to cosmetic defects or other defects that do not affect the functionality of the product, and is void if the product has been damaged as a result of fire, flood, or other natural disaster. DuraBreeze shall not be responsible for any incidental or consequential damages of any nature, including damage or injury caused to other products, machinery, buildings or property; loss of profits, time or product; or inconvenience. The original proof of purchase **MUST** accompany the DuraBreeze product for this warranty to be valid. This warranty is given in lieu of all other warranties, express or implied, including without limitation merchantability and fitness for a particular purpose.

Some states do not allow the exclusion or limitation of incidental and consequential damages, or limitations on how long an implied warranty lasts, so the above limitation(s) may not apply to you.

What DuraBreeze Will Do

If DuraBreeze determines the warranted product is defective in materials or workmanship during the warranty period, then DuraBreeze, at its option, will either repair or replace the product. In no event shall the cost of repair or replacement exceed the original purchase price.

How to Obtain Warranty Service

Return this product along with the original proof of purchase to the place of purchase in accordance with store policy.

How State Law Applies

This warranty gives you specific legal rights, and you may also have other rights which vary from state to state.

For technical support and warranty information, email info@durabreeze.com.