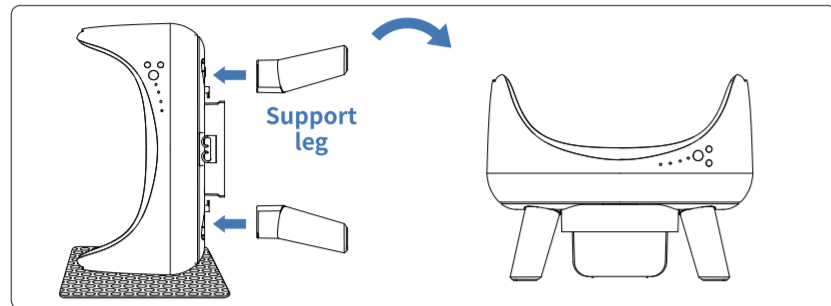


Orbitie Automatic Litter Box

Quick Start Guide

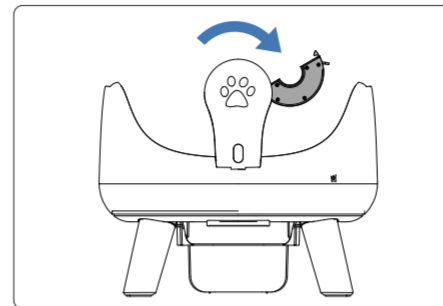
1. Unpack and Set Up the Base



Take out the litter box from its packaging. Place the base on its side on a litter mat to prevent scratches. Align the support legs with the slots, securely insert them, and then stand the base upright on a flat surface.

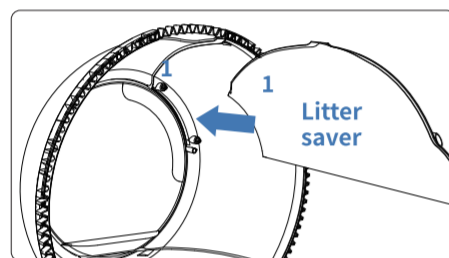


Insert the back support into the slot on the rear of the base until you hear a "click."

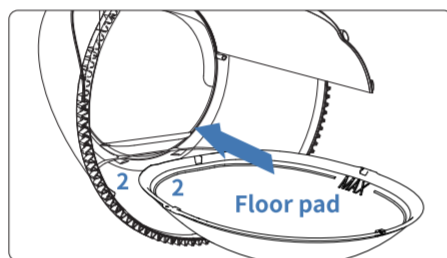


Open the latch on top of the back support.

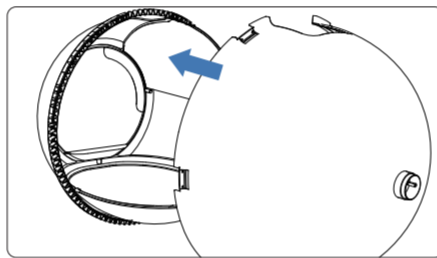
2. Prepare the Globe



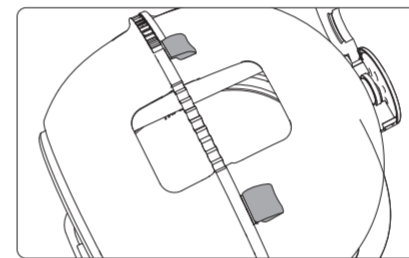
Align label "1" on the litter saver with label "1" inside the globe. Position the litter saver behind the corresponding ridge.



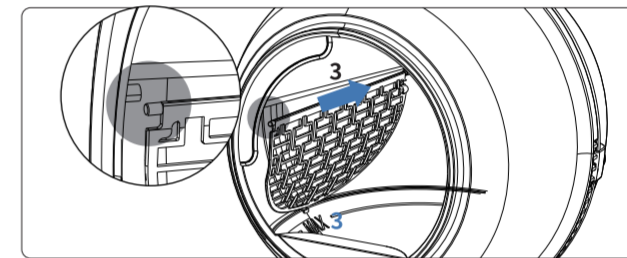
Insert the floor pad into the globe, aligning label "2" with label "2" on the globe's inner side. Position it securely behind the ridge.



Align the front and back halves of the globe and fit them together.

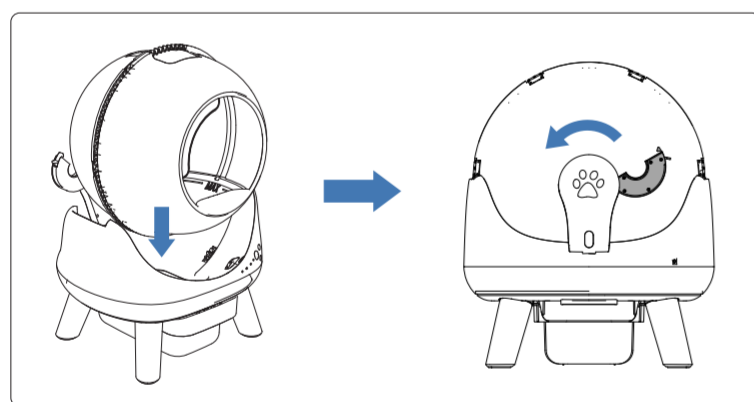


Fasten the clips to secure the two halves in place.

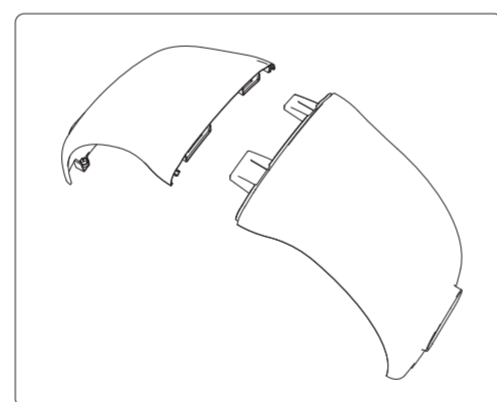


Take the litter sifter from the packaging. Locate label "3" inside the globe, align the sifter's ends with the marked holes, and insert it. Slightly bend the sifter if needed.

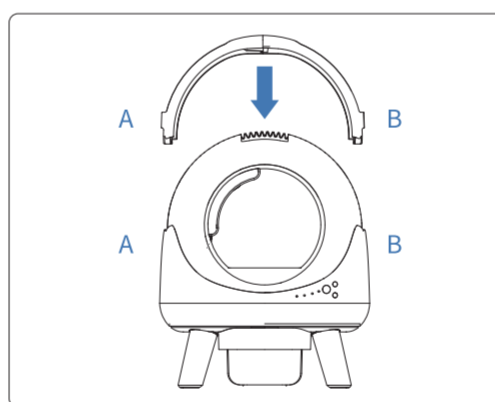
3. Place the Globe on the Base



Position the rear knob of the globe into the groove on the back support. Listen for a "click" to ensure it's

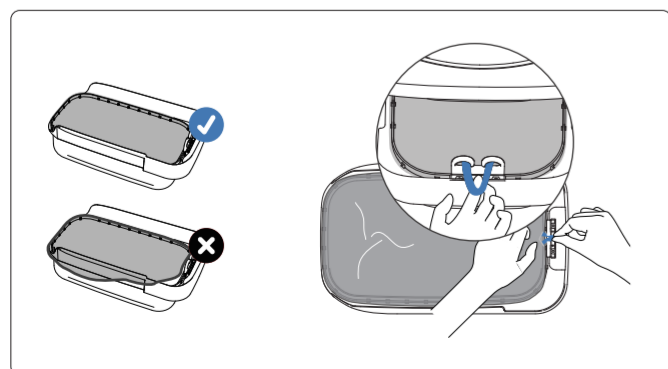


Snap the two bonnet pieces together.



Align and place the assembled bonnet onto the globe, matching labels "A" and "B" on both parts.

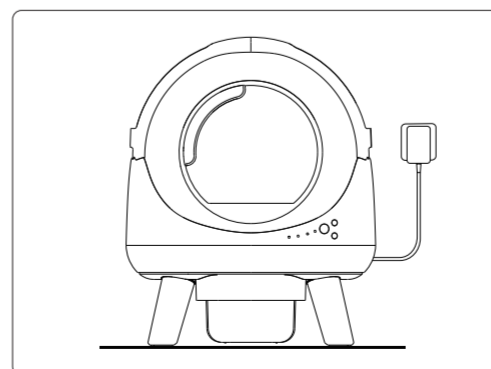
4. Before Powering On



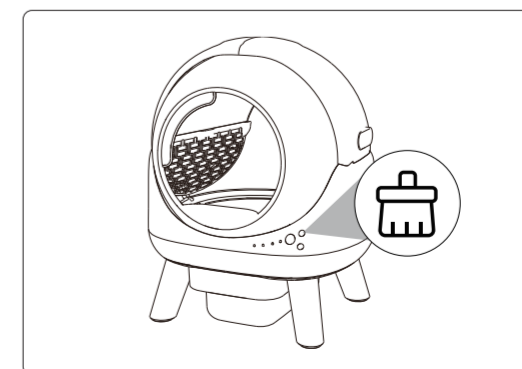
Install the trash bag in the waste drawer.



Pour clumping litter into the globe, keeping below the "MAX" line.



Connect the device to a power outlet on a flat, stable surface.



Press and hold the "Clean" button for 3 seconds to reset the weighing system.

Now you are all set! Your Orbitie is now ready for your cats.