

OPTIMUS

INSTRUCTION MANUAL AND OWNER'S GUIDE

Parabolic Radiant Heater with Oscillation

Model H-4430F



INFORMATION HOTLINE: If, after reading this owner's guide, you have any question or comments, please feel free to write us or call us at 1-888-672-5832 or e-mail us at Service@optimusent.com. Our customer service representative will be happy to help you.

PLEASE READ AND SAVE THESE INSTRUCTIONS

IMPORTANT INSTRUCTIONS:

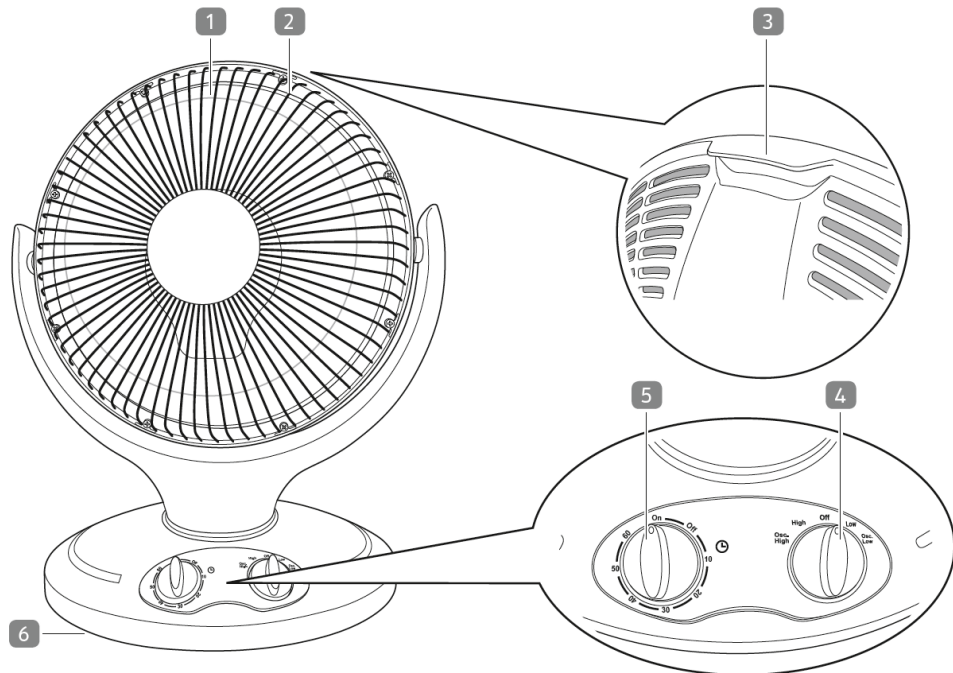
PLEASE READ AND SAVE THESE IMPORTANT SAFEGUARDS

Thank you for choosing an Optimus heater. To ensure the best performance from your heater, please read and save the following instructions.

WHEN USING ELECTRICAL APPLIANCES, BASIC PRECAUTIONS SHOULD ALWAYS BE FOLLOWED TO REDUCE THE RISK OF FIRE, ELECTRIC SHOCK AND INJURY TO PERSON, INCLUDING THE FOLLOWING:

- Read all instructions before using this heater.
- This heater is hot when in use. To avoid burns, do not let bare skin touch hot surfaces. If provided, use handles when moving this heater. Keep combustible materials, such as furniture, pillows, bedding, papers, clothes, and curtains at least 3 feet (1 m) from the front of the heater and keep them away from the sides and rear. Do not place towels or other objects on the heater.
- Extreme caution is necessary when any heater is used by or near children or invalids and whenever the heater is left operating and unattended.
- Always unplug the heater when not in use.
- Do not operate any heater with a damaged cord or plug or after the heater malfunctions, has been dropped or damaged in any manner. Discard heater, or return to authorized service facility for examination and/or repair.
- Do not use the heater outdoors.
- This heater is not intended for use in bathrooms, laundry areas and similar indoor locations. Never locate the heater where it may fall into a bathtub or other water container. To protect against electrical hazards, do not immerse the heater in water or other liquids. Do not touch the control panel or plug with a wet hand.
- Do not run the cord under carpeting. Do not cover the cord with throw rugs, runners, or similar coverings. Do not route the cord under furniture or appliances. Arrange the cord away from traffic area and where it will not be tripped over.
- To disconnect the heater, turn controls to off, then remove plug from outlet. Pull firmly on the plug, do not unplug by pulling on the cord.
- Do not insert or allow foreign objects to enter any ventilation or exhaust opening as this may cause an electric shock or fire, or damage the heater.
- To prevent a possible fire, do not block air intakes or exhaust in any manner. Do not use on soft surfaces, like a bed, where openings may become blocked.
- The heater has hot and arcing or sparking parts inside. Do not use it in areas where gasoline, paint, or flammable liquids are used or stored. Keep the heater away from heated surfaces and open flames.
- Use the heater only as described in this manual. Any other use not recommended by the manufacturer may cause fire, electric shock, or injury to persons.
- Always plug heaters directly into a wall outlet/receptacle. Never use with an extension cord or relocatable power tap (outlet/power strip).
- To avoid fire or shock hazard, plug the heater directly into a 120 V AC electrical outlet.
- Always unplug the heater before moving or cleaning, or whenever the heater is not in use.
- Always use on a dry and level surface.
- **WARNING:** To reduce the risk of fire or electric shock, do not use this heater with any solid state speed control devices.
- If the electric outlet is overloaded with other appliances, the heater may not operate properly. The heater should be operated on a separate electrical outlet from other operating appliances.
- Never place fingers or other objects through the protection guard to touch the heater dish during use.
- Do not attempt to repair or adjust any electrical or mechanical functions on this heater. Doing so will void your warranty. The inside of the heater contains no user serviceable parts. Only qualified personnel should perform all servicing.
- **CAUTION:** Risk of electric shock. Do not open or try to repair the heater yourself.
- The use of attachments not recommended or sold by unauthorized dealers may cause hazards.
- **Polarized Plug:** This appliance has a polarized plug (one blade is wider than the other). To reduce the risk of electric shock, this plug is intended to fit into a polarized outlet only one way. If the plug does not fit fully into the outlet, reverse the plug. If it still does not fit, contact a qualified electrician. **DO NOT** attempt to modify the plug in any way.

PRODUCT DESCRIPTION:



- | | |
|---------------------|--------------------------------|
| 1. Heater dish | 4. Function knob |
| 2. Protection guard | 5. Timer knob |
| 3. Carrying handle | 6. Tip-over switch (underside) |

OPERATING INSTRUCTIONS:

- Place the heater on a stable and flat surface. Use the carrying handle **3** to move the heater around. When the heater is not properly placed or tipped over, the tip-over switch **6** will be activated. In this case, the heater will NOT operate.
- Turn the timer knob **5** to the **ON** position.
- Turn the function knob **4** to the **OFF** position.
- Connect the power cord to an electrical outlet.

WARNING: Be sure that the plug of the power cord fits tightly into the outlet!

- Turn the function knob to a desired setting. The heater will start operation.

Osc. High – High heat (800 W) with oscillation
(the heater dish **1** will swing from side to side)

High – High heat (800 W) without oscillation

Low – Low heat (400 W) without oscillation

Osc. Low – Low heat (400 W) with oscillation

- Gently tilt the heater dish forward or backward to adjust the operating angle.
- Turn the function knob to the **OFF** position to switch off the heater.
To completely disconnect from power, unplug the heater from the electrical outlet.

Timer

You can program the heater to operate for a specific period of time (up to 60 minutes).

- Turn the timer knob **5** to set it to the desired operating time.
Options: 10, 20, 30, 40, 50 and 60 minutes
- Turn the function knob **4** to a desired setting. The heater will start operation for the selected period of time. The heater will automatically turn off when the timer is up and the timer knob is at the **OFF** position.
- To stop using the timer function, turn the timer knob to the **ON** position.
When the timer knob is set at the **ON** position, the heater will operate continuously when the function knob is set to one of the operation settings.

Overheat protection

This heater is equipped with an overheat safety feature. When the heater's internal components reach a certain temperature that could cause overheat and possible fire, the heater will automatically switch off. To operate the heater again, switch off the heater by setting the function knob **4** to the **OFF** position and unplug the heater from the electrical outlet. Then allow the heater to cool down to room temperature before using the heater again.

CLEANING/ MAINTENANCE INSTRUCTIONS:

WARNING: Risk of injury! Be sure that the heater is unplugged and has completely cooled down before cleaning or storing the heater.

WARNING: Risk of damage! NEVER immerse the heater in water or any other liquid. NEVER use abrasive cleaners and hard brushes to clean the heater.

- Switch off the heater and unplug it from the electrical outlet.
- Clean the housing with a soft, damp cloth.
- Use a vacuum cleaner (with a brush attachment) to remove any dust accumulated on the protection guard **2**.
- If necessary, use a can of compressed air to remove any dust accumulated on the heater dish **1**.
- Let all parts thoroughly dry before next use or storing.

Storage

Thoroughly clean and dry all parts before storing.

- Store the heater in a clean and dry place.
- Keep the heater out of the reach of children.

SERVICE INSTRUCTIONS:

- Do NOT attempt to repair or adjust any electrical or mechanical functions on this unit. Doing so will void the warranty.
- If you have any questions regarding this unit's operation or believe any repair is necessary, please call 1-888-672-5832 to speak with a Customer Service Representative.
- If you need to exchange the unit, please return it, in its original carton with a sales receipt enclosed, to the store you purchased it. If you are returning the unit more than 30 days after the date of purchase, please see the enclosed warranty.
- If you have any other question or comments, feel free to write us:

Optimus Enterprise, Inc.
2201 E. Winston Road, Unit J
Anaheim, CA 92806
E-mail: Service@optimusent.com

Warranty

For your own records staple or attach your sales receipt to this manual. Please also write the store name/location and date purchased below.

STORE NAME/LOCATION: _____

DATE PURCHASED: _____

3- YEAR LIMITED WARRANTY: (SAVE THIS WARRANTY INFORMATION)

Optimus Enterprise, Inc. warrants to its customers and or consumer of this electric heater and the parts thereof will be free from defect in material and workmanship, under normal use, for a period of three (3) years from the date of initial purchase. The warranty does not apply to repairs necessitated by damage, misuse, abuse or alternation and to any repair of merchandise not used within the United States or Canada. Unless otherwise proscribed by law, Optimus Enterprise, Inc. shall not be liable for any personal injury, property damage or any incidental or consequential damages of any kind (include water damage) resulting from malfunctions, defects, misuse, improper installation or alternation of this product. This warranty is the only warranty extended by Optimus Enterprise, Inc. to its original customers and/or consumer purchased of this heater. Optimus Enterprise, Inc. disclaims all other warranties, express or implied, that arise by the operation of law, specifically including the implied warranties of merchantability and fitness for a particular purpose. Optimus Enterprise, Inc. shall not be liable for any incidental or consequential damage, which may have resulted from any alleged breach of warranty. Some states do not allow limitations on how long implied warranty lasts or the exclusion or limitation of incidental or consequential damage, so the above limitations or exclusion may not apply to you. This warranty gives you specific legal rights you may also have other rights which vary from state to state.

Should the heater fail during the warranty period, the owner should:

- Within the first 30 days from date of purchase, the store from which you purchased your Optimus product should replace this product if it is defective in material or workmanship (provided the store has in-stock replacement).
- Within the first 12 months from date of purchase, Optimus Enterprise, Inc. will repair or replace the product if it is defective in material or workmanship providing it is returned to Optimus Enterprise, Inc. with freight prepaid, with evidence of purchase date (cash registered receipt) together with \$15.00 check or money order for handling and return packaging/ shipping charges.
- In year 2 through 3 from date of purchase, Optimus Enterprise, Inc. will repair or replace the product with a refurbished heater if it is defective in material or workmanship providing it is returned to Optimus Enterprise, Inc. with freight prepaid, with evidence of purchase date (cash register receipt) together with US\$20.00 check or money order for handling and return packaging/ shipping charges.

IMPORTANT: ANY REPAIRS SHOULD BE PERFORMED BY AN AUTHORIZED SERVICE REPRESENTATIVE. DO NOT ATTEMPT TO REPAIR THIS HEATER YOURSELF. DOING SO MAY VOID YOUR WARRANTY.

PLEASE RETAIN THIS WARRANTY AND SALES RECEIPT TO INSURE YOUR PRODUCT WARRANTY.

IMPORTANT: RETURN INSTRUCTIONS:

Your warranty depends on your following these instructions if you are returning the unit more than 30 days after the date of purchase:

- Carefully pack the heater in the original container or a suitable container to avoid damage in shipping.
- Seal the carton. Address an envelope as follows:
Optimus Enterprise, Inc.
Customer Service Department
2201 E. Winston Road, Unit J
Anaheim, CA 92806
- Inside the envelope, enclose your name, full address with zip code, daytime phone number, evidence of purchase date (cash register receipt) AND A CHECK OR MONEY ORDER for handling and return packaging/ shipping charges. Please also include a brief explanation of the problem you are having with the unit.
- Optimus Enterprise, Inc. recommends you insure the package (as damage in shipments is not covered by your warranty).
- All shipping charges must be prepaid by you (as noted as above).

OPTIMUS

MANUAL de INSTRUCCIONES GUIA para el USUARIO

Calentador Ocilante de 14"

Modelo: H-4430



LINEA DIRECTA A EL CLIENTE: Si despues de leer esta guia de el usuario, usted tiene preguntas o comentarios, porfavor escribanos o llamenos con toda confianza a el telefono 1-888-672-5832 o enviandonos un correo electronico a: service@optimusent.com
Nuestro representante de servicio a el cliente le ayudara gustosamente.

POR FAVOR LEA Y GUARDE ESTAS INSTRUCCIONES.

INSTRUCCION IMPORTANTE:

Porfavor lea y guarde estas importantes instrucciones.

Gracias por escoger un Calentador Optimus. Para asegurar el mejor desempeño de su calentador, porfavor lea y guarde las instrucciones siguientes.

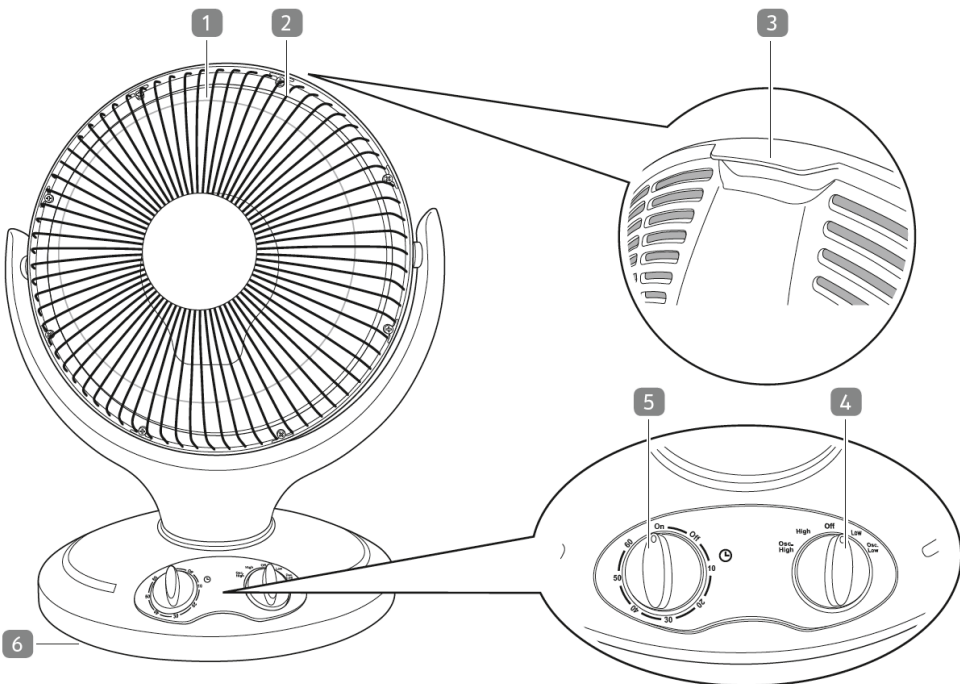
CUANDO SE USEN APARATOS ELECTRICOS, SIEMPRE DEBERAN SER USADAS PRECAUCIONES BASICAS, PARA REDUCIR EL RIESGO DE FUEGO, UN CHOQUE ELECTRICO O ERIR A UNA TERCERA PERSONA.

Deberan seguirse precauciones basicas incluyendo las siguientes:

- Lea todas las instrucciones antes de usar el calentador.
- Este calentador se calienta cuando es usado, para evitar cualquier quemadura en la piel, no toque la superficie de el calentador directamente, use las agarraderas si es que este tubiena en caso de moverlo.
- Guarde todo material que pueda encender tales como: percians, muebles, almoadas, colchas, papeles, ropa y cortinas., retiradas cuando menos 30 Centimetros a el rededor de el calentador.
- Extremada precaucion es necesaria cuando el Calentador se usado cercano niños o minusvalidos, siempre que el calentador este sin cuidado alguno.
- Siempre desconecte el calentador cuando no lo use.
- No use el calentador si el cable, clavija estan dañados o esta funcionado mal, a sufrido una caida o a sido dañado de alguna manera. Regrese el calentador a el fabricante para una inspeccion electrica, mecanica o para reparacion. Mire su manual de garantia para mas informacion.
- Este calentador no deba ser usado en el baño, areas de lavanderia o areas similares y nunca lo coloque en una superficie en donde pueda caer en la tina de baño o algun contenedor que contenga agua.
- Nunca pase el cordon por debajo de la alfombra, nunca cobra el cable con ropa, o con material parecido. Coloque el cordon fuera de el area de paso para evitar que puedan tropezar con este.
- Para desconectar el calentador, primero apagelo y despues lo desconecta.
- No inserte o permita que estraños objetos entren por el area de ventilacion o de escape, para prevent un incendio, no bloquee las entradas o salidas de aire. Nunca lo use en areas blandas, tales como: la cama en donde las entradas y salidas de aire puedan ser obstruidos.
- El calentador tiene partes calientes y a el rojo vivo internamente, no lo use en areas donde aya gasolina, pintura o liquidos flammables ayan sido guardados.
- Use este calentador como a esta descrito en este manual. Cualquier otra forma de uso no recomendada por el fabricante puede causar un incendio, riesgo de un choque electrico o dañar a terceras personas.
- Siempre conecte los calentadores directamente a un toma corriente/receptor de pared. Nunca utilice una extensión o conector múltiple.
- los demás servicios deben ser desempeñasen un representante de servicio autorizado.
- Este Ventilador esta equipado con una clavija polarizada de corriente alterna (La clavija tiene un lado mas ancho que el otro). Esta clavija cabe en cualquier enchufe de la pared pero de un solo lado. Esto es un puento de seguridad, si no puede conectar la clavija en el enchufe trate de el otro lado y si todavia no pude conectarlo, contacte a un. Electricista que cambia los enchufes. No trate de modificar el punto de seguridad de la clavija
- Si el calentador no enciende. Mire las instrucciones de seguridad expresadas en este manual.

Guarde estas instrucciones

DESCRIPCIÓN DEL PRODUCTO:



- | | |
|----------------------------|--|
| 1. Plato calentador | 4. Perilla de función |
| 2. Protector de protección | 5. Perilla del temporizador |
| 3. Asa de transporte | 6. Interruptor de volcado (parte inferior) |

INSTRUCCIONES DE OPERACIÓN:

1. Coloque el calentador sobre una superficie estable y plana. Use el asa de transporte 3 para mover el calentador alrededor. Cuando el calentador no está colocado o volcado correctamente, se activará el interruptor de volcado 6. En este caso, el calentador NO funcionará.

2. Gire la perilla del temporizador 5 a la posición ON.

3. Gire la perilla de función 4 a la posición OFF.

4. Conecte el cable de alimentación a una toma de corriente.

ADVERTENCIA: ¡Asegúrese de que el enchufe del cable de alimentación encaja firmemente en la toma de corriente!

5. Gire la perilla de función a la configuración deseada. El calentador comenzará a funcionar. Osc. Alto: alto calor (800 W) con oscilación (el plato calefactor 1 se balanceará de lado a lado) Alto: alto calor (800 W) sin oscilación Bajo: calor bajo (400 W) sin oscilación Osc. Bajo - Bajo calor (400 W) con oscilación

6. Inclíne suavemente el plato del calentador hacia adelante o hacia atrás para ajustar el ángulo de funcionamiento.

7. Gire la perilla de función a la posición de APAGADO para apagar el calentador. Para desconectarse completamente de la alimentación, desenchufe el calentador de la toma de corriente.

Temporizador

Puede programar el calentador para que funcione durante un período de tiempo específico (totalmente 60 minutos).

1. Gire la perilla del temporizador 5 para ajustarla al tiempo de funcionamiento deseado. Opciones: 10, 20, 30, 40, 50 y 60 minutos.
2. Gire la perilla de función 4 a la configuración deseada. El calentador comenzará a funcionar durante el período de tiempo seleccionado. El calentador se apagará automáticamente cuando el temporizador esté activado y la perilla del temporizador esté en la posición APAGADO.
3. Para dejar de usar la función de temporizador, gire la perilla del temporizador a la posición ON. Cuando la perilla del temporizador está en la posición ON, el calentador funcionará continuamente cuando la perilla de función esté configurada en una de las configuraciones de operación.

La SEGURIDAD REPRESENTA:

Aderido por seguridad, este calentador está equipado con un circuito de seguridad térmica, el cual apagará automáticamente al calentador, si es que el termostato interno llegara a fallar. Para operar el calentador nuevamente, apague el calentador colocando la perilla de función 4 en la posición APAGADO y desenchufe el calentador de la toma de corriente. Luego, deje que el calentador se enfríe a temperatura ambiente antes de volver a usarlo.

INSTRUCCIONES DE LIMPIEZA Y MANTENIMIENTO:

ADVERTENCIA: ¡Peligro de lesiones! Asegúrese de que el calentador esté desenchufado y se haya enfriado por completo antes de limpiarlo o guardarlo.

ADVERTENCIA: ¡Riesgo de daños! NUNCA sumerja el calentador en agua o cualquier otro líquido. NUNCA use limpiadores abrasivos y cepillos duros para limpiar el calentador.

1. Apague el calentador y desconéctelo de la toma de corriente.
2. Limpie la carcasa con un paño suave y húmedo.
3. Use una aspiradora (con un cepillo adjunto) para eliminar el polvo acumulado en la protección 2.
4. Si es necesario, use una lata de aire comprimido para eliminar el polvo acumulado en el plato calefactor 1.
5. Deje que todas las partes se sequen completamente antes del próximo uso o almacenamiento.

Después de la limpieza:

- Guarde el calentador en un lugar fresco y seco con el cordón propiamente recogido.
- Por favor guarde la unidad en el cartón original, o en algo parecido a esto.

INSTRUCCIONES de SERVICIO

- No intente reparar o ajustar, eléctrica o funciones mecánicas, en esta unidad, a él hacerlo, perderá la garantía de el fabricante.
- Si tiene preguntas referentes a la operación de esta unidad, cree que necesita reparación. Por favor llámenos a el siguiente número telefónico: 1-888-672-5832, y hable con nuestro representante de servicio a el cliente.
- Si necesita cambiar la unidad, por favor, regrese a us caja original con y con la factura, a la tienda en donde lo compro. Si esta regresado la unidad despues de 30 dias, consulte el manual de garantías.

Si tiene alguna pregunta o comentarios, escribanos a la siguiente dirección.

Optimus Enterprise, Inc.
2201 E. Winston Road, Unit #J
Anaheim, CA92806

Garantía

Para su propio archivo, engrape su recibo de compra a este manual y también escriba el nombre de la tienda, y fecha de compra.

NOMBRE DE LA TIENDA: _____

FECHA de COMPRA: _____

TRES (3) AÑOS LIMITE DE GARANTIA:

Guarde esta información de la garantía.

Optimus Enterprise, Inc. Garantiza a sus clientes o consumidores de este calentador eléctrico, que esta libre de defectos de materia prima, fabricación, bajo condiciones de uso normales, por un período de 3 años, desde la fecha marcada en el recibo de compra.

La garantía no cubre las reparaciones de daños causados, por: uso incorrecto, alteraciones o cualquier reparación que se haga fuera de los Estados Unidos o Canadá. A menos que haya sido ordenado por la ley. Optimus Enterprise, Inc. No se hace responsable por daños personales, daños a propiedad o accidente, o daños consecuentes de cualquier índole, incluyendo daños causados por lluvia. Resultando en mal funcionamiento, uso incorrecto, instalación inapropiada o alteraciones hechas a este producto. Esta Poliza es la única Garantía, expedida por Optimus Enterprise, Inc. Optimus Enterprise, Inc., No es responsable por cualquier otra Poliza, que surga o que le implique, por la ley, específicamente las garantías de mercancía y salud, para un propósito particular.

La empresa Optimus Enterprise, Inc. No será responsable de ningún daño casual o consecuente, que puede haber resultado de la garantía. La empresa Optimus, no es responsable por cualquier accidente o consecuencia dañina, la cual puede ser el resultado de cualquier parte de la garantía. Algunos estados no tienen límites en cuanto a el período de la póliza de la garantía, o excluyen los incidentes o daños consecuentes, que puedan ocurrirle.

Esta póliza le da algunos derechos específicos, usted puede tener algunos otros, pero...! Estos varían dependiendo de el lugar.

Si el calentador falla durante el tiempo de la garantía, usted deberá hacer lo siguiente:

1. Dentro de los primeros 30 días, regrese a la tienda en donde lo compró, si el defecto es de fabricación, o mano de obra, la tienda le cambiará por uno que tenga en inventario.
2. En el período de 12 meses, después de fecha de compra. Optimus Enterprise, Inc., reparará o reemplazará, el calentador, si el defecto es de fabricación o mano de obra, regrese a Optimus Enterprise, Inc. con la prueba de compra, con todos los gastos de envíos pagados, y con un cheque por \$25.00 USD, para manejo y envío.
3. En el período de 2 a 3 años, después de la fecha de compra, la empresa reparará o cambiará el producto por algún otro que haya sido reparado anteriormente, deberá ser regresado a Optimus Enterprise, con todos los recargos prepagados, y con un cheque de \$30.00, para cubrir los recargos por manejo y envío.

IMPORTANTE:

CUALQUIER REPARACION DEBERA SER HECHA POR UN CENTRO AUTORIZADO. NO INTENTE REPARAR ESTE CALENTADOR POR USTED MISMO. SI LO HACE PERDERA LA GARANTIA. PORFAFOR GUARDE EL RECIBO DE COMPRA JUNTO A ESTA POLIZA, PARA HACERLE VALIDA LA GARANTIA DE EL PRODUCTO.

La garantía depende de que usted siga las siguientes instrucciones, para regresar el calentador después de los 30 días, después de la fecha de compra.

- Cuidadosamente empaque el calentador en el cartón original o alguna caja en donde pueda poner el calentador, sin sufrir más daños.
- Cierre el cartón, y envíelo a la dirección siguiente, con un sobre :
Optimus Enterprise, Inc.
Customer Service Department
2201 E. Winston Road, Unit J
Anaheim, CA 92806

Dentro de el sobre envíe una nota con su nombre, dirección, código postal, número telefónico, recibo de compra y un cheque para cubrir los gastos de manejo y envío.

Asegúrese de asegurar el paquete, ya que la garantía no cubre daños por envío

Todos los recargos de manejo y envío son cubiertos por usted.

OPTIMUS

MANUEL D'INSTRUCTION ET GUIDE DE L'UTILISATEUR

Parabolic Radiant Heater with Oscillation

Modèle : H-4430



LINEA DIRECTA A EL CLIENTE: Si después de leer esta guía de el usuario, usted tiene preguntas o comentarios, por favor escríbanos o llámenos con toda confianza a el teléfono 1-888-672-5832 o enviándonos un correo electrónico a: Service@optimusent.com
Nuestro representante de servicio a el cliente le ayudara gustosamente.

INSTRUCCIONES IMPORTANTES :

VEUILLEZ LIRE ET CONSERVER CES IMPORTANTES MISES EN GARDE

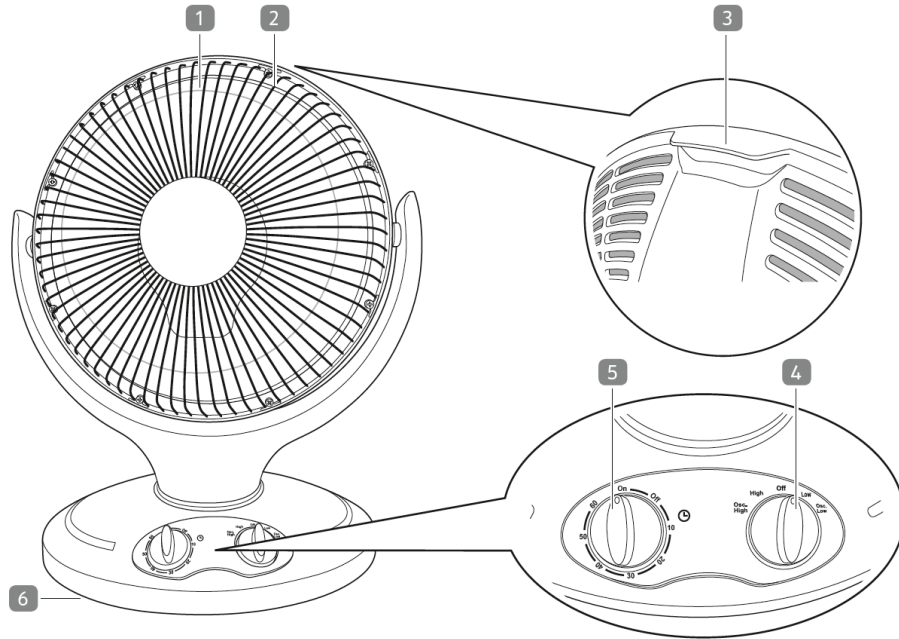
Merci d'avoir opté pour un radiateur Optimus. Pour assurer le rendement maximal de votre radiateur, veuillez lire et conserver les instructions suivantes.

LORS DE L'UTILISATION D'UN APPAREIL ÉLECTRIQUE, DES PRÉCAUTIONS DE BASE DOIVENT TOUJOURS ÊTRE OBSERVÉES POUR RÉDUIRE LE RISQUE D'INCENDIE, DE CHOCS ÉLECTRIQUES ET DE BLESSURES CORPORELLES, Y COMPRIS CE QUI SUIT :

- Lisez toutes les instructions avant d'utiliser ce radiateur.
- Ce radiateur est chaud lorsqu'il est en utilisation. Pour éviter les brûlures, ne touchez pas les surfaces chaudes à peau nue. Utilisez la poignée lorsque celle-ci est fournie.
- Conservez les matériaux combustibles comme les tentures, meubles, oreillers, literie, papier, vêtements, rideaux à au moins 0,9 m (3 pi) du devant du radiateur et à au moins 0,3 m (1 pi) des côtés et de l'arrière du radiateur.
- Soyez extrêmement prudent lorsque le radiateur est utilisé par ou près d'enfants ou de personnes à mobilité réduite, et à chaque fois qu'il fonctionne sans surveillance.
- Débranchez toujours le radiateur lorsqu'il n'est pas utilisé.
- N'utilisez pas un radiateur dont le cordon ou la fiche est endommagé ou après un mauvais fonctionnement ou si le radiateur a été échappé ou endommagé d'une quelconque manière. Retournez le radiateur au fabricant pour un examen, un réglage mécanique ou électrique ou une réparation. (Pour de plus amples détails, consultez la garantie).
- N'utilisez pas le radiateur à l'extérieur.
- Ce radiateur n'est pas conçu pour être utilisé dans une salle de bain, une salle de lavage ou tout autre emplacement intérieur similaire. Ne placez jamais le radiateur à un endroit où il risque de tomber dans une baignoire ou dans tout autre bassin d'eau.
- Ne faites pas courir le cordon sous un tapis. Ne couvrez pas le cordon avec un jeté, un tapis chemin ou autre article similaire. Installez le cordon loin des zones de circulation, à un emplacement où personne ne risque de s'y prendre les pieds.
- Pour débrancher le radiateur, mettez le commutateur en position ARRÊT [OFF] et retirez la fiche de la prise.
- N'insérez pas et ne laissez aucun objet entrer dans les orifices de ventilation ou d'échappement, car cela peut générer un risque de choc électrique ou d'incendie, ou endommager le radiateur.
- Pour prévenir le risque d'incendie, ne bloquez pas les entrées ou sorties d'air d'une quelconque manière. N'utilisez pas le radiateur sur des surfaces souples, comme un lit, car les orifices risquent d'être obturés.
- Le radiateur comporte des pièces internes chaudes et brûlantes et pouvant provoquer des étincelles. Ne l'utilisez pas dans des endroits où de l'essence, de la peinture ou des liquides inflammables sont utilisés ou entreposés.
- Utilisez ce radiateur conformément aux directives du présent manuel. Toute autre utilisation non recommandée par le fabricant peut causer un incendie, un choc électrique ou des blessures corporelles.
- Évitez d'utiliser une rallonge électrique, car celle-ci peut surchauffer et présenter un risque d'incendie. Toutefois, si vous devez utiliser une rallonge, celle-ci devra être d'un format minimal de 14AWG et d'un régime de 1 875 watts ou plus. N'utilisez jamais une rallonge électrique pour faire fonctionner plus d'un radiateur.
- Si le radiateur ne fonctionne pas : consultez les directives précises sous la rubrique « Caractéristiques de sécurité » du présent manuel.

VEUILLEZ LIRE ET CONSERVER CES INSTRUCTIONS.

PRODUCT DESCRIPTION:



1. Radiateur parabolique
2. Grille de protection
3. Poignée de transport
4. Commutateur de fonctionnement
5. Commutateur de minuterie
6. Interrupteur en cas de basculement (dessous)

OPERATING INSTRUCTIONS:

1. Installez le radiateur sur une surface stable et plane. Utilisez la poignée de transport **3** pour déplacer le radiateur. Si le radiateur n'est pas bien installé ou s'il a basculé, l'interrupteur en cas de basculement **6** sera activé. Si tel est le cas, le radiateur NE fonctionnera PAS.
2. Mettez le commutateur de minuterie **5** à la position **ON**.
3. Mettez le commutateur de fonctionnement **4** à la position **OFF**.
4. Branchez le cordon d'alimentation dans une prise électrique.

MISE EN GARDE : Assurez-vous que la fiche du cordon d'alimentation soit bien fixée dans la prise!

5. Tournez le commutateur de fonctionnement jusqu'au réglage souhaité. Le radiateur démarrera.
6. **Osc. High** – Chaleur élevée (800 W) avec oscillation
7. (Le radiateur parabolique **1** oscillera de gauche à droite)
8. **High** – Chaleur élevée (800 W) sans oscillation
9. **Low** – Chaleur moins élevée (400 W) sans oscillation
10. **Osc. Low** – Chaleur moins élevée (400 W) sans oscillation
11. Inclinez délicatement le radiateur vers l'avant ou l'arrière pour ajuster l'angle de fonctionnement.
12. Mettez le commutateur de fonctionnement à la position **OFF** pour fermer le radiateur.
13. Pour éliminer totalement toute alimentation, débranchez le radiateur de la prise électrique.

Minuteur

Vous pouvez programmer le radiateur pour qu'il fonctionne pendant une période de temps déterminée (jusqu'à 60 minutes).

1. Tournez le commutateur de minuterie **5** pour le régler au temps de fonctionnement souhaité.

Options : 10, 20, 30, 40, 50 et 60 minutes

2. Mettez le commutateur de fonctionnement **4** au réglage souhaité. Le radiateur se mettra en marche pour la période de temps sélectionnée. Le radiateur se fermera automatiquement lorsque la minuterie aura atteint la durée choisie et que le commutateur de minuterie est à la position **OFF**.
3. Pour cesser d'utiliser la minuterie, mettez le commutateur de minuterie à la position **ON**. Lorsque le commutateur de minuterie est réglé à la position **ON**, le radiateur fonctionnera sans cesse lorsque le commutateur de fonctionnement est réglé à l'un des réglages de fonctionnement.

Protection contre la surchauffe

Ce radiateur est doté d'une fonction de sécurité en cas de basculement. Lorsque les composants internes du radiateur atteignent une certaine température qui pourrait causer une surchauffe et possiblement un incendie, le radiateur se fermera automatiquement. Pour faire fonctionner le radiateur à nouveau, fermez le radiateur en mettant le commutateur de fonctionnement **4** à la position **OFF** et débranchez le radiateur de la prise électrique. Laissez ensuite le radiateur refroidir jusqu'à l'atteinte de la température de la pièce avant de le réutiliser.

DIRECTIVES DE NETTOYAGE/D'ENTRETIEN :

Entretien pendant la saison :

1. Fermez le radiateur et débranchez-le de la prise électrique.
2. Nettoyez le boîtier avec un linge doux et humide.
3. Utilisez un aspirateur (doté d'une brosse) pour éliminer toute poussière accumulée sur la grille de protection **2**.
4. Si nécessaire, utilisez une bonbonne d'air comprimé pour éliminer toute poussière accumulée sur le radiateur parabolique **1**.
5. Laissez toutes les pièces sécher complètement avant de réutiliser ou d'entreposer l'appareil.

INSTRUCTIONS DE DÉPANNAGE :

- NE tentez PAS de réparer ou de régler une fonction électrique ou mécanique sur cet appareil, sinon la garantie sera annulée.
- Si vous avez des questions concernant le fonctionnement de cet appareil ou si vous croyez que des réparations sont nécessaires, veuillez composer le 1-888-672-5832 pour communiquer avec un représentant de notre service à la clientèle.
- Si vous devez échanger l'appareil, veuillez le retourner dans sa boîte originale, avec le reçu de caisse, au magasin où vous l'avez acheté. Si vous retournez l'appareil 30 jours après la date de l'achat, veuillez consulter la garantie ci-jointe.
- Si vous avez des questions ou commentaires, n'hésitez pas à nous écrire :

Optimus Enterprise, Inc.
2201 E. Winston Road, Unit J
Anaheim, CA 92806
Courriel : service@optimusent.com

- sont pas couverts par votre garantie).
- Tous les frais d'expédition doivent être prépayés par vous (tel que stipulé ci-dessus).

Garantie

Pour vos propres dossiers, agrafez ou fixez votre reçu de caisse à ce manuel. Veuillez aussi écrire le nom et l'emplacement du magasin et la date d'achat ci-dessous.

NOM ET EMPLACEMENT DU MAGASIN _____

DATE DE L'ACHAT : _____

GARANTIE LIMITÉE DE 3 ANS :

(CONSERVEZ LES RENSEIGNEMENTS DE CETTE GARANTIE)

Optimus Enterprise, Inc. garantit à ses clients et/ou consommateurs que ce radiateur électrique et ses pièces seront exempts de défaut de matériel et de fabrication, sous des conditions d'utilisation normales, pour une période de trois (3) ans à compter de la date de l'achat initiale. La garantie ne s'applique pas aux réparations rendues nécessaires en raison d'un dommage, d'un mauvais usage, d'un abus ou d'une modification, ni à toute réparation de marchandise non utilisée au sein des États-Unis ou du Canada. Sous réserve de prescription contraire par la loi, Optimus Enterprise, Inc. ne peut être tenu responsable de blessures corporelles, de dommages aux biens ni de dommages indirects ou consécutifs de toute sorte (y compris les dégâts causés par l'eau) résultants d'un mauvais fonctionnement, d'un défaut, d'un mauvais usage, d'une installation ou d'une modification inappropriée de ce radiateur électrique. Cette garantie est la seule garantie émise par Optimus Enterprise, Inc. à ses clients et/ou consommateurs initiaux ayant acheté le radiateur. Optimus Enterprise, Inc. décline toutes les autres garanties, expresses ou implicites, qui relèvent d'un effet de la loi, incluant particulièrement les garanties implicites de qualité marchande et de convenance pour un but particulier. Optimus Enterprise, Inc. ne peut être tenu responsable d'aucun dommage indirect ou consécutif, lequel peut avoir résulté de toute inobservation présumée d'une garantie. Certains États ne permettent pas de limitation sur la durée de la garantie implicite ou l'exclusion ou la limitation de dommages indirects, ainsi les limitations ou les exclusions ci-dessus peuvent ne pas s'appliquer à vous. Cette garantie vous donne des droits légaux précis; vous pouvez aussi avoir d'autres droits, lesquels varient d'un État à l'autre. Si le radiateur présente un défaut pendant la période de garantie, le propriétaire doit :

- Au cours des 30 jours à compter de la date d'achat, se présenter au magasin où il a acheté le produit Optimus. Le magasin doit remplacer ce produit s'il présente un vice de matériel ou de fabrication (sous réserve que le magasin ait un produit de remplacement disponible).
- Au cours des 12 premiers mois à compter de la date d'achat, Optimus Enterprise, Inc. réparera ou remplacera le produit s'il présente un vice de matériel ou de fabrication sous réserve que le produit soit retourné à Optimus Enterprise, Inc., que les frais de transport soient payés d'avance, que la preuve de la date d'achat (reçu de caisse) soit présente et qu'un CHÈQUE ou MANDAT POSTAL, au montant de 30 \$ USD, soit inclus pour les frais de manutention et d'expédition.
- Au cours de la 2^e à la 3^e année à compter de la date d'achat, Optimus Enterprise, Inc. réparera ou remplacera le produit, par un radiateur remis à neuf, s'il présente un vice de matériel ou de fabrication sous réserve que le produit soit retourné à Optimus Enterprise, Inc., que les frais de transport soient payés d'avance, que la preuve de la date d'achat (reçu de caisse) soit présente et qu'un CHÈQUE ou MANDAT POSTAL, au montant de 60 \$ USD, soit inclus pour les frais de manutention et d'expédition.

IMPORTANT : TOUTE RÉPARATION DOIT ÊTRE EFFECTUÉE PAR UN REPRÉSENTANT DE DÉPANNAGE AUTORISÉ. NE TENTEZ PAS DE RÉPARER CE RADIATEUR PAR VOS PROPRES MOYENS; DANS CE CAS, VOTRE GARANTIE POURRAIT ÊTRE ANNULÉE. VEUILLEZ CONSERVER CETTE GARANTIE ET LE REÇU DE CAISSE POUR ASSURER LA VALIDITÉ DE LA GARANTIE DE VOTRE PRODUIT.

IMPORTANT – INSTRUCTIONS POUR LE RETOUR :

Pour assurer la validité de la garantie, vous devez observer les instructions suivantes si vous retourner l'appareil 30 jours après la date de l'achat :

- Emballez soigneusement le radiateur dans son emballage original ou un emballage approprié pour prévenir les dommages pendant le transport.
- Scellez l'emballage. Libellez l'enveloppe comme suit :
Optimus Enterprise, Inc., Service à la clientèle
2201 E. Winston Road, Unit J
Anaheim, CA 92806
- À l'intérieur de l'enveloppe, inscrivez votre nom, adresse complète avec le code postal, numéro de téléphone où vous joindre dans la journée, preuve de la date de l'achat (reçu de caisse) ET UN CHÈQUE OU MANDAT POSTAL pour la manutention et le retour de l'emballage/frais d'expédition. Veuillez aussi inclure une brève explication du problème rencontré avec l'appareil.
- Optimus Enterprise, Inc. vous recommande d'assurer l'emballage (puisque les dommages causés pendant le transport ne