



28" AMERICANA FIRE PIT
OWNER'S MANUAL
ASSEMBLY AND OPERATING INSTRUCTIONS

SAVE THIS MANUAL FOR FUTURE REFERENCE

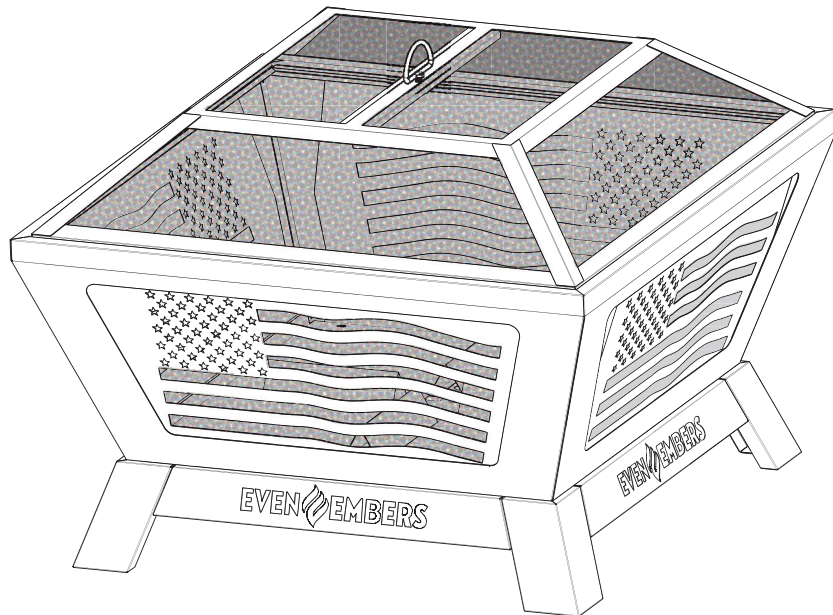
Model PIT6028AS

NOTICE TO INSTALLER:

LEAVE THESE INSTRUCTIONS
WITH THE FIRE PIT OWNER FOR
FUTURE REFERENCE.

⚠ WARNING

HAZARDOUS EXPLOSION MAY RESULT IF THESE
WARNINGS AND INSTRUCTIONS ARE IGNORED. READ
AND FOLLOW ALL WARNINGS AND INSTRUCTIONS
IN THIS MANUAL TO AVOID PERSONAL INJURY,
INCLUDING DEATH OR PROPERTY DAMAGE.




IMPORTANT SAFETY WARNINGS

WE WANT YOU TO ASSEMBLE AND USE YOUR FIRE PIT AS SAFELY AS POSSIBLE.

THE PURPOSE OF THIS SAFETY ALERT SYMBOL 

IS TO ATTRACT YOUR ATTENTION TO POSSIBLE HAZARDS AS YOU ASSEMBLE AND USE YOUR FIRE PIT.
WHEN YOU SEE THE SAFETY ALERT SYMBOL, PAY CLOSE ATTENTION TO THE INFORMATION WHICH FOLLOWS!

 **READ ALL SAFETY WARNINGS AND INSTRUCTIONS CAREFULLY
BEFORE ASSEMBLING AND OPERATING YOUR FIRE PIT.**

WARNING

- Only use this fire pit on a hard, level, non-combustible, stable surface (concrete, ground, etc.) capable of supporting the weight of the fire pit. Never use on wooden or other surfaces that could burn.
- Proper clearance of 10 feet between the fire pit and combustible material (bushes, trees, wooden decks, fences, buildings, etc.) or construction should be maintained at all times when fire pit is in use. Do not place fire pit under a roof overhang or other enclosed area.
- For outdoor use only. Do not operate fire pit indoors or in an enclosed area.
- For household use only. Do not use this fire pit for other than its intended purpose.
- Do not use gasoline, kerosene or alcohol for lighting charcoal or wood. Use of any of these or similar products could cause an explosion possibly leading to severe bodily injury.
- Never add charcoal lighting fluid to hot or even warm coals as flashback may occur causing severe burns.
- Place fire pit in an area where children and pets cannot come into contact with unit. Close supervision is necessary when fire pit is in use.
- Do not leave fire pit unattended when in use.
- When adding charcoal or wood, use extreme caution and follow instructions in “Adding Charcoal/Wood During Cooking” section of this manual.
- Do not store or use fire pit near gasoline or other flammable liquids, gases or where flammable vapors may be present.
- Do not store lighter fluid or other flammable liquids or material near the fire pit.
- Do not allow charcoal and/or wood to rest on the walls of fire pit. Doing so will greatly reduce the life of the metal and finish of your fire pit.
- Use caution when assembling and operating your fire pit to avoid scrapes or cuts from sharp edges of metal parts. Use caution when reaching into or under fire pit.
- In windy weather, place fire pit in an outdoor area that is protected from the wind.
- Never leave coals and ashes in fire pit unattended. Before fire pit can be left unattended, remaining coals and ashes must be removed from fire pit. Use caution to protect yourself and property. Carefully place remaining coals and ashes in a non-combustible metal container and saturate completely with water. Allow coals and water to remain in metal container 24 hours prior to disposing.
- Extinguished coals and ashes should be placed a safe distance from all structures and combustible materials.
- With a garden hose, completely wet the surface beneath and around fire pit to extinguish any ashes, coals or embers which may have fallen during use.

⚠ WARNING

- After each use, clean the fire pit thoroughly and apply a light coat of vegetable oil to interior to prevent rusting. Cover the fire pit to protect it from excessive rusting.
- Use caution when lifting or moving fire pit to prevent strains and back injuries.
- We advise that a fire extinguisher be on hand. Refer to your local authority to determine proper size and type of fire extinguisher.
- Accessory attachments not manufactured by Even Embers for this particular product are not recommended and may lead to personal injury or property damage.
- Store the fire pit out of reach of children and in a dry location when not in use.
- Do not attempt to service fire pit other than normal maintenance as explained in “After-Use Safety” section of this manual.
- Remove all stickers and labels before first use.
- Properly dispose of all packaging material.

Fire pit is hot when in use. To avoid burns:

- DO NOT attempt to move the fire pit.
- Wear protective gloves or oven mitts.
- DO NOT touch any hot fire pit surfaces.
- DO NOT wear loose clothing or allow hair to come in contact with fire pit.

USE CAUTION AND COMMON SENSE WHEN OPERATING YOUR FIRE PIT.

FAILURE TO ADHERE TO SAFETY WARNING AND GUIDELINES IN THIS MANUAL COULD RESULT IN BODILY INJURY OR PROPERTY DAMAGE.

SAVE THIS MANUAL FOR FUTURE REFERENCE.

ASSEMBLY INSTRUCTIONS

⚠ READ ALL SAFETY WARNINGS & ASSEMBLY INSTRUCTIONS CAREFULLY BEFORE ASSEMBLING OR OPERATING YOUR FIRE PIT.

FOR MISSING PARTS, PLEASE CONTACT CUSTOMER SERVICE AT 855-735-9922 OR HELP@FAIRGAMEUS.COM.

Inspect contents of the box to ensure all parts are included and undamaged.

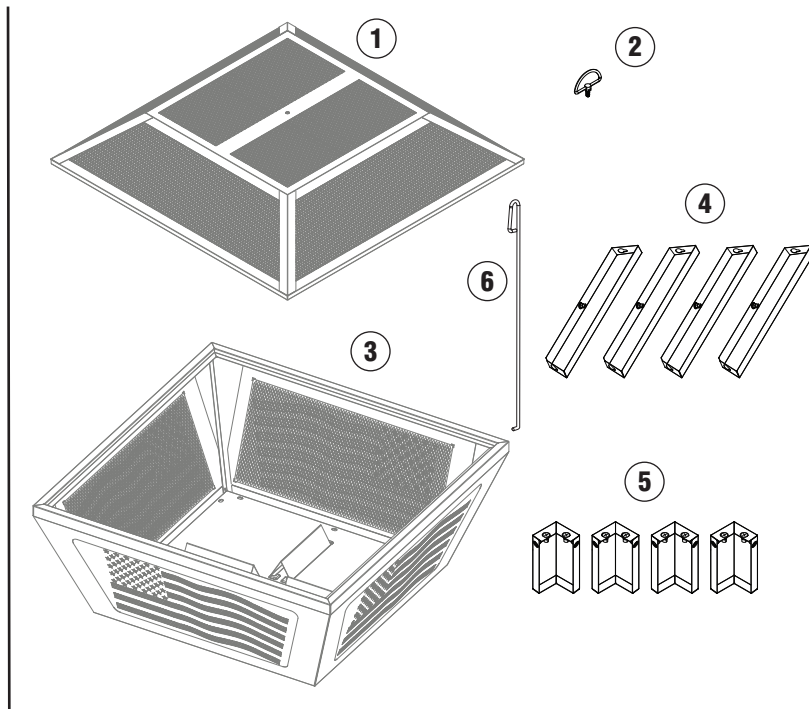
We recommend two people work together when assembling this unit.

The following tools are required (not included) to assemble this Fire Pit:

- Pliers
- Phillips & Flathead Screwdrivers
- Adjustable Wrench

PARTS LIST - Fire pit:

- ① 1 Screen
- ② 1 Screen Handle
- ③ 1 Fire Bowl
- ④ 4 Leg Braces
- ⑤ 4 Legs
- ⑥ 1 Rake



CALIFORNIA PROPOSITION 65 WARNING



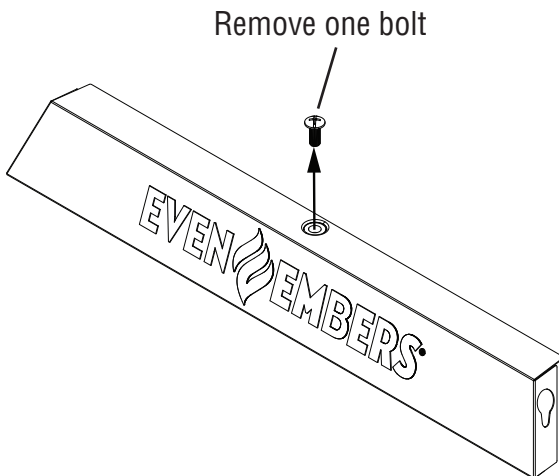
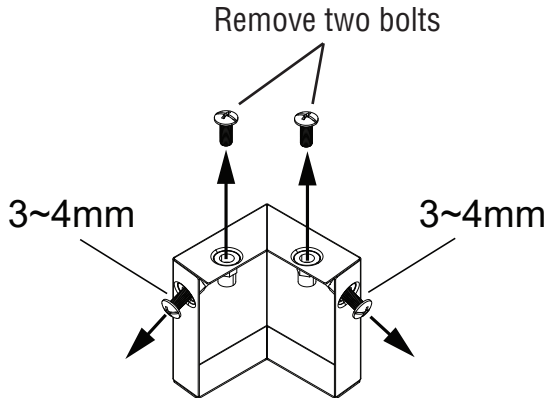
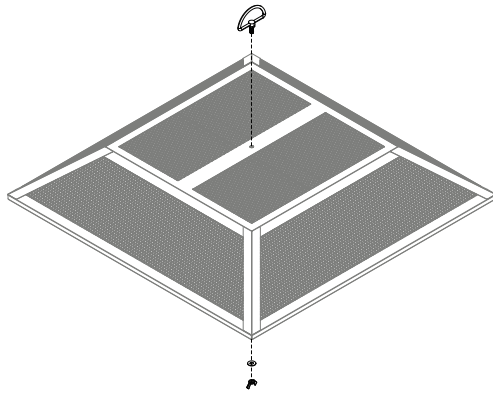
WARNING: This product can expose you to chemicals including carbon monoxide, which is known to the State of California to cause birth defects or other reproductive harm.

For more information, go to www.P65Warnings.ca.gov



WARNING: CONTAINS LEAD. MAY BE HARMFUL IF EATEN OR CHEWED. COMPLIES WITH FEDERAL STANDARDS. KEEP OUT OF REACH OF CHILDREN.

3



Choose a good, cleared assembly area and get a friend to help you put your fire pit together. Lay cardboard down to protect fire pit finish and assembly area.

Step 1

Attach screen handle ② to screen ① using one M6 washer and M6 wingnut.

Step 2

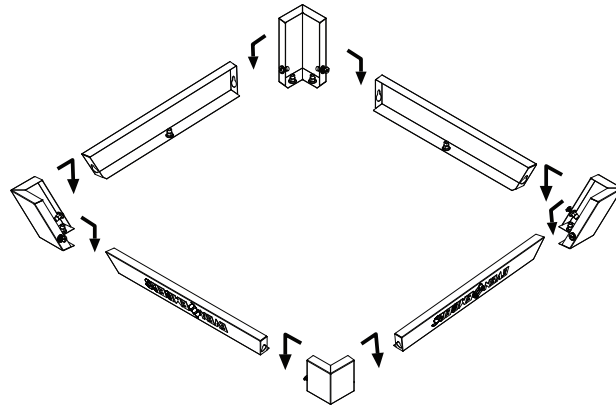
Remove two M6 x 15 mm bolts and loosen two M6 x 15 mm bolts halfway from each leg ⑤. Save bolts for Step 5.

Step 3

Remove one M6 x 15 mm bolt from each leg brace ④. Save bolts for Step 5.

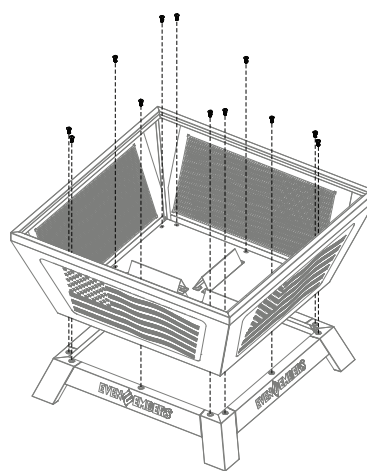
Step 4

Slide keyholes on leg braces ④ over bolts on legs ⑤. Tighten all bolts.

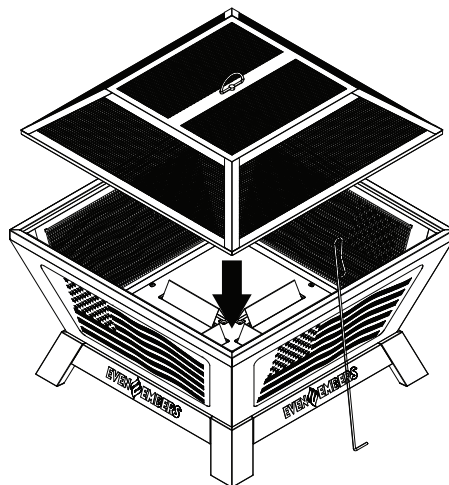


Step 5

Set fire bowl ③ onto leg braces ④ and legs ⑤. Secure using twelve M6 x 15 mm bolts. Tighten all bolts.



Even Embers 28" Fire Pit Assembled



Adding Charcoal/Wood

Adding Charcoal/Wood to the Fire Pit

Step 1

Wearing oven mitts/gloves, lift cover screen off of fire pit.

Step 2

Use caution to add wood, being careful not to stir-up ashes and sparks.

⚠ WARNING: Never add charcoal lighting fluid to hot or even warm coals as flashback may occur causing severe burns.

Step 3

When fire is burning strong again, wear oven mitts/gloves and carefully replace cover screen.

AFTER-USE SAFETY

⚠ WARNING

- Always allow fire pit and all components to cool completely before handling.
- Never leave coals and ashes in fire pit unattended. Make sure coals and ashes are completely extinguished before removing.
- Before fire pit can be left unattended, remaining coals and ashes must be removed from fire pit. Use caution to protect yourself and property. Place remaining coals and ashes in a noncombustible metal container and completely saturate with water. Allow coals and water to remain in metal container 24 hours prior to disposing.
- Extinguished coals and ashes should be placed a safe distance from all structures and combustible materials.
- With a garden hose, completely wet surface beneath and around the fire pit to extinguish any ashes, coals or embers which may have fallen during the cooking or cleaning process.
- Allow metal bucket or tin can and its contents to cool completely before removing. Dispose of contents properly.
- Cover and store fire pit in a protected area away from children and pets.

1-YEAR LIMITED WARRANTY

For 1-year from date of purchase, Fair Game Group warrants the Fire Pit against defects due to workmanship or materials to the original purchaser. Fair Game Group's obligations under this warranty are limited to the following guidelines:

- This warranty does not cover fire pits that have been altered/modified or damaged due to: normal wear, rust, abuse, improper maintenance and/or improper use.
- This warranty does not cover surface scratches or heat damage to the finish, which is considered normal wear.
- Fair Game Group may elect to repair or replace damaged units covered by the terms of this warranty.
- This warranty extends to the original purchaser only and is not transferable or assignable to subsequent purchasers.

Fair Game Group requires reasonable proof of purchase. Therefore, we strongly recommend that you retain your sales receipt or invoice. To obtain replacement parts for your Fire Pit under the terms of this warranty, please contact Customer Service Department at 855-735-9922 or help@fairgameus.com for a **Return Authorization Number** and further instructions. **A receipt or proof of purchase will be required.** Fair Game Group will not be responsible for any fire pits forwarded to us without prior authorization.

EXCEPT AS ABOVE STATED, FAIR GAME GROUP MAKES NO OTHER EXPRESS WARRANTY.

THE IMPLIED WARRANTIES OF MERCHANTABILITY AND FITNESS FOR A PARTICULAR PURPOSE ARE LIMITED IN DURATION TO 1-YEAR FROM THE DATE OF PURCHASE. SOME STATES DO NOT ALLOW LIMITATIONS ON HOW LONG AN IMPLIED WARRANTY LASTS, SO THE ABOVE LIMITATION MAY NOT APPLY TO YOU.

ANY LIABILITY FOR INDIRECT, INCIDENTAL OR CONSEQUENTIAL DAMAGES ARISING FROM THE FAILURE OF THE FIRE PIT TO COMPLY WITH THIS WARRANTY OR ANY IMPLIED WARRANTY IS EXCLUDED. CUSTOMER ACKNOWLEDGES THAT THE PURCHASE PRICE CHARGED IS BASED UPON THE LIMITATIONS CONTAINED IN THE WARRANTY SET OUT ABOVE. SOME STATES DO NOT ALLOW THE EXCLUSION OR LIMITATION OF INCIDENTAL OR CONSEQUENTIAL DAMAGES, SO THE ABOVE LIMITATION OR EXCLUSION MAY NOT APPLY TO YOU. THIS WARRANTY GIVES YOU SPECIFIC LEGAL RIGHTS, AND YOU MAY ALSO HAVE OTHER RIGHTS WHICH VARY FROM STATE TO STATE.

OM6028AS
1125

©2025 Fair Game Group LLC.
Carrollton, Texas 75006 U.S.A.
www.evenmembers.com

Owner's Manual for Model
PIT6028AS