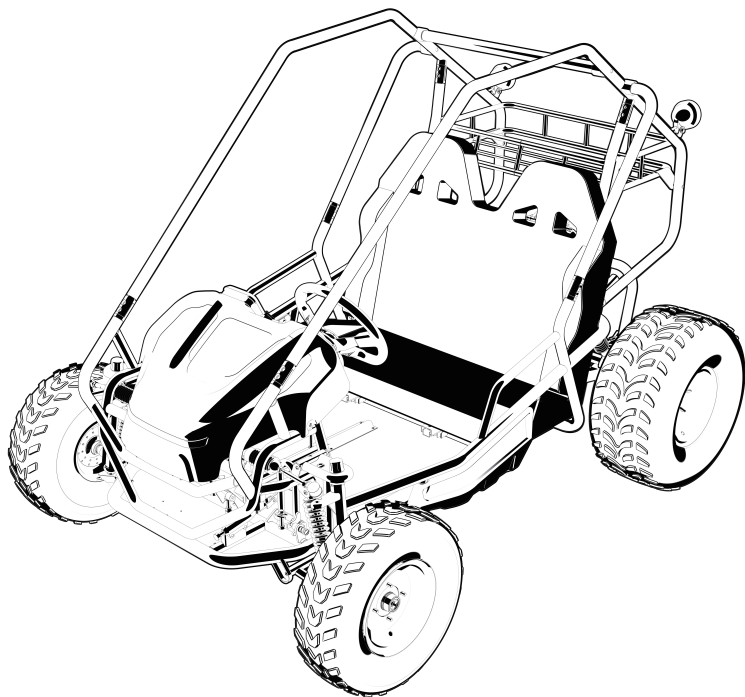


# greenworks<sup>®</sup>

EN	GO-KART	OPERATOR MANUAL
FR	GO-KART	MANUEL D'OPÉRATEUR
ES	GO-KART	MANUAL DEL OPERADOR



OVC917

[www.greenworkstools.com](http://www.greenworkstools.com)



<b>1</b>	<b>Introduction.....</b>	<b>2</b>	4.3	Light on/off.....	11
1.1	Product description.....	2	4.4	Speaker function.....	11
1.2	Intended use.....	2	4.5	Drive the product.....	11
1.3	Overview.....	2	4.6	Drive uphill/downhill.....	11
1.4	Hardware list (not actual size).....	3	4.7	Stop the product.....	12
1.5	Symbols on the product.....	4	<b>5</b>	<b>SMARTg home application.....</b>	<b>12</b>
1.6	California Proposition 65.....	4	5.1	Setup.....	12
<b>2</b>	<b>Safety.....</b>	<b>4</b>	<b>6</b>	<b>Maintenance.....</b>	<b>13</b>
2.1	Safety definitions.....	4	6.1	Maintenance schedule.....	13
2.2	Important safety instructions.....	4	6.2	Clean the product.....	13
2.3	FCC Requirement.....	6	6.3	Clean the battery and battery charger.....	13
<b>3</b>	<b>Assembly.....</b>	<b>6</b>	<b>7</b>	<b>Transportation, storage and disposal.....</b>	<b>14</b>
3.1	Install the steering wheel.....	6	7.1	Transportation.....	14
3.2	Install the seat.....	7	7.2	Storage.....	14
3.3	Install the belt.....	7	7.3	Disposal of the battery, battery charger, and product.....	14
3.4	Install the brush guard.....	7	<b>8</b>	<b>Error codes.....</b>	<b>14</b>
3.5	Install the rack.....	8	<b>9</b>	<b>Technical data.....</b>	<b>15</b>
3.6	Install the safety net.....	8	<b>10</b>	<b>Limited warranty.....</b>	<b>15</b>
<b>4</b>	<b>Operation.....</b>	<b>8</b>			
4.1	Before driving.....	9			
4.2	Start the product.....	10			

# 1 INTRODUCTION

## 1.1 PRODUCT DESCRIPTION

This product is a battery-operated go-kart with an electrical motor.

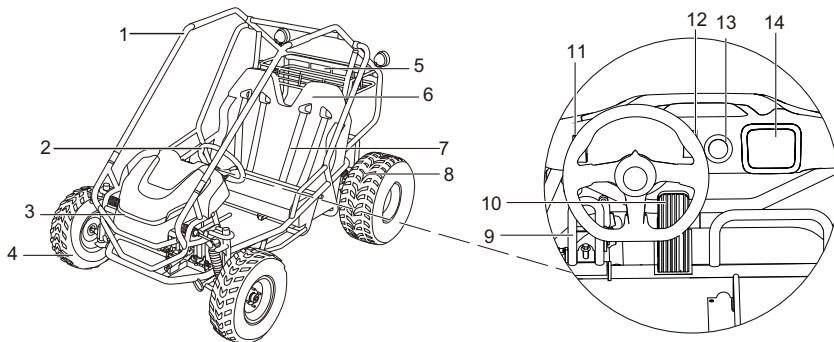
We are committed to continuously improving our products, and reserve the right to modify the design and appearance without prior notice.

## 1.2 INTENDED USE

This is a recreational vehicle for off-road driving.

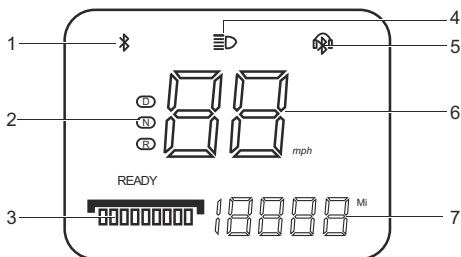
## 1.3 OVERVIEW

### Go kart



- |   |                |    |                           |
|---|----------------|----|---------------------------|
| 1 | Brush guard    | 8  | Rear wheel                |
| 2 | Steering wheel | 9  | Brake pedal (left)        |
| 3 | Headlight      | 10 | Accelerator pedal (right) |
| 4 | Front wheel    | 11 | Gear shift switch         |
| 5 | Rack           | 12 | Light switch              |
| 6 | Seat           | 13 | Start button              |
| 7 | Seat belt      | 14 | LCD Display               |

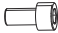

### Display



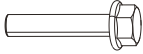

- |   |                         |   |                                         |
|---|-------------------------|---|-----------------------------------------|
| 1 | Bluetooth               | 5 | Bluetooth speaker                       |
| 2 | Gear                    | 6 | Speed                                   |
| 3 | Battery level indicator | 7 | Trip distance/total distance/error code |
| 4 | Headlight               |   |                                         |

## 1.4 HARDWARE LIST (NOT ACTUAL SIZE)





### Steering wheel installation (Bag A)

Name	Quantity	Picture
M6 x 16 mm bolt	3	
M6 nut	3	





### Seat installation (Bag B)

Name	Quantity	Picture
M8 x 40 mm flange bolt	2	
M8 nut	2	









### Brush guard installation (Bag C)

Name	Quantity	Picture
Plug	4	
Concave spacer	4	
M8 x 50 mm flange bolt (long bolt)	4	
M8 x 20 mm bolt (short bolt)	20	

### Rack installation (Bag D)

Name	Quantity	Picture
Concave spacer	2	
M8 x 45 mm flange bolt (long bolt)	2	
M8 x 20 mm flange bolt (short bolt)	4	
M8 nut	6	

## 1.5 SYMBOLS ON THE PRODUCT

Symbol	Explanation
IPX4	Waterproof level
	Direct current
	Important safety precautions.
	Carefully read and understand instructions before operating the product and follow all warnings and safety instructions.
	Warning. Electric shock hazard.
	Never permit children under age 14 to operate this product. Operation by children under the age of 14 increases the risk of severe injury or death. Adult supervision required for children under the age of 16.
	Always use an approved helmet and protective gear.
	Never use on public roads.
	Never use with drugs or alcohol.

## 1.6 CALIFORNIA PROPOSITION 65

### ▲ WARNING

This product contains or emits a chemical known to the State of California to cause cancer or birth defects or other reproductive harm.

## 2 SAFETY

### 2.1 SAFETY DEFINITIONS

Warning, cautions, and notes are used to point out especially important parts of the manual.

### ▲ WARNING

Used if there is a risk of injury or death for the operator, or bystanders if the instructions in the manual are not obeyed.

### ▲ CAUTION

Used if there is a risk of damage to the product, other materials, or the adjacent area if the instructions in the manual are not obeyed.

*Note: Used to give more information that is necessary in a given situation.*

### 2.2 IMPORTANT SAFETY INSTRUCTIONS

### ▲ WARNING

**Read all safety warnings and all instructions.** Failure to follow the warnings and instructions may result in electric shock, fire and/or serious injury.

- This product is not a means of transportation. Please obey local laws, regulations, and policies when driving.
- This product is not a toy and could be hazardous to operate. greenworks is not responsible for injuries or damage caused by a driver's inexperience or failure to follow the instructions in this user manual or in the new driver tutorial.
- Remember as with any mode of transportation, that whenever you drive the product, you risk injury or death from loss of control, collisions, and falls. You can reduce the risk by following all the instructions and warnings in this manual, but you cannot eliminate all the risks.
- This product contains small parts which can create a choking hazard. Keep small children away from the product.

#### Who should not drive

- Anyone under the influence of drugs, medication, alcohol or other substances.
- Children under the age of 14.
- Anyone with a condition that advises against engaging in strenuous physical activity.
- Anyone who is extremely **fatigued or has** balancing issues.
- Anyone whose weight is outside the stated limits (see **Technical data**).
- Anyone who is deaf, hard of hearing, and/or cannot hear important auditory cues while driving.
- Children under the age of 16 should only drive under adult supervision.

#### Areas to avoid driving:

- When entering public spaces, always comply with local laws and regulations. Only drive in areas where you have obtained permission from the property owner.
- Do not drive on roadways, near motor vehicles, pedestrians, bicyclists, animals, on or near steep inclines or steps, curbs, near swimming pools, through puddles, or other bodies of water. Use caution when driving in areas with trees, posts, or fences. You must leave sufficient space between you and those items to be able to safely pass them.
- Do not drive at night or in poor visibility conditions.
- Do not drive on any ramp or incline that exceeds the maximum slope.
- Do not drive indoors.
- Do not drive in the snow, rain, or on roads that are wet, icy, or that are slippery for any reason. Do not drive over obstacles (including but not limited to, sand, loose gravel, or sticks). Doing so could result in a loss of balance or traction and could cause a collision.
- This product is not intended for use at elevations greater than 2000 m above sea level.

#### Battery product use and care

- **Recharge only with the charger specified by the manufacturer.** *A charger that is suitable for one type of battery pack may create a risk of fire when used with another battery pack.*
- **Use the product only with specifically designated battery packs.** *Use of any other battery packs may create a risk of injury and fire.*
- **When battery pack is not in use, keep it away from other metal objects, like paper clips, coins, keys, nails, screws, or other small metal objects, that can make a connection from one terminal to another.** *Shorting the battery terminals together may cause burns or a fire.*
- **Under abusive conditions, liquid may be ejected from the battery; avoid contact. If contact accidentally occurs, flush with water. If liquid contacts eyes, additionally seek medical help.** *Liquid ejected from the battery may cause irritation or burns.*
- **Do not use a battery pack or product that is damaged or modified.** *Damaged or modified batteries may exhibit unpredictable **behavior** resulting in fire, **explosion, or** risk of injury.*
- **Do not expose a battery pack or product to fire or excessive temperature.** *Exposure to fire or temperature above 130 °C (265°F) may cause explosion.*
- **Follow all charging instructions and do not charge the battery pack or product outside the temperature range specified in the instructions.** *Charging improperly or at temperatures outside the specified range may damage the battery and increase the risk of fire.*

#### Maintenance and service

- Be sure the product is powered off before performing any maintenance or when installing or replacing parts.
- Follow all instructions contained in the manual when performing maintenance on the product.
- Do not use high-pressure hose to clean the product.

- Have your product serviced by a qualified repair person using only identical replacement parts. This will ensure that the safety of the product is maintained.
- Never service damaged battery packs. Service of battery packs should only be performed by the manufacturer or authorized service providers.
- Store the product in a location where it is protected from the elements whenever possible. Ultraviolet light from the sun can fade the paint and can cause rubber or plastic parts to become porous or to crack.

#### SAVE THESE INSTRUCTIONS

### 2.3 FCC REQUIREMENT

This device complies with part 15 of the FCC Rules. Operation is subject to the following two conditions:

1. This device may not cause harmful interference, and
2. This device must accept any interference received, including interference that may cause undesired operation.

#### ▲ WARNING

Any changes or modifications not expressly approved by the party responsible for compliance could void the user's authority to operate the equipment.

**Note:** This equipment has been tested and found to comply with the limits for a Class B digital device, pursuant to Part 15 of the FCC Rules. These limits are designed to provide reasonable protection against harmful interference in a residential installation. This equipment generates, uses, and can radiate radio frequency energy, and if not installed and used in accordance with the instructions, may cause harmful interference to radio communications. However, there is no guarantee that interference will not occur in a particular installation. If this equipment does cause harmful interference to radio or television reception, which can be determined by turning the equipment off and on, the user is encouraged to try to correct the interference by one or more of the following measures:

- Reorient or relocate the receiving antenna.
- Increase the separation between the equipment and receiver.
- Connect the equipment into an outlet on a circuit different from that to which the receiver is connected.
- Consult the dealer or an experienced radio/TV technician for help.

## 3 ASSEMBLY

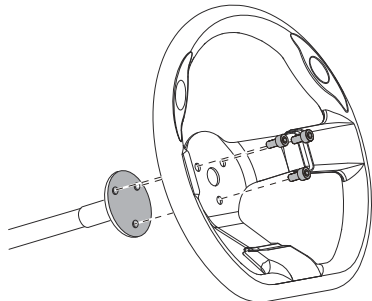
This section describes how to assemble and adjust the product.

#### ▲ WARNING

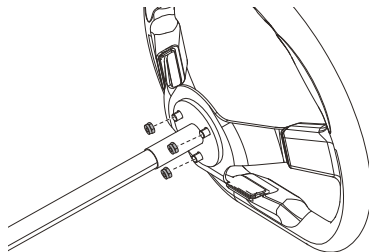
Read and understand the safety chapter and the assembly instructions before you assemble the product.

### 3.1 INSTALL THE STEERING WHEEL

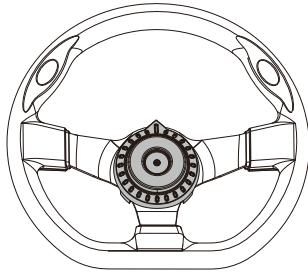
1. Attach the steering wheel to the steering column.



2. Use M6 bolts and M6 lock nuts in Bag A to tighten the steering wheel.

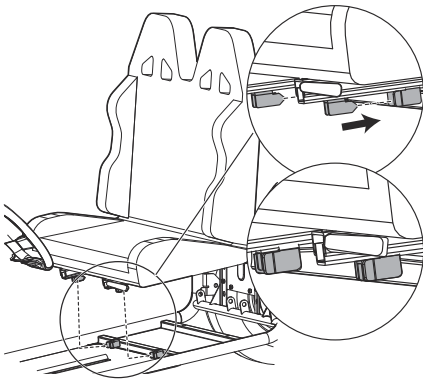


3. Attach the steering wheel cap by snapping into place at the center of steering wheel.

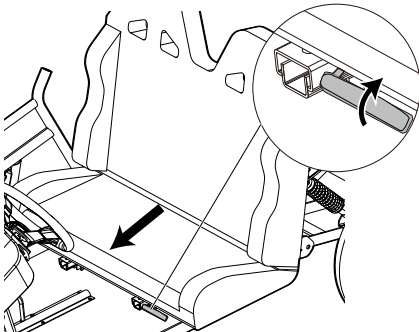


### 3.2 INSTALL THE SEAT

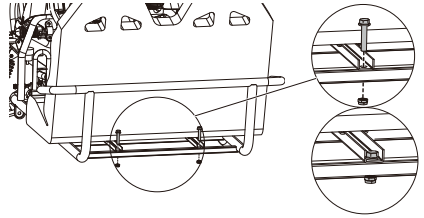
1. Insert the two barbs, located under the seat, into the two slots, on the frame.



2. Pull up and hold the seat lever to move the seat to its frontmost position, exposing the mounting holes at the rear.

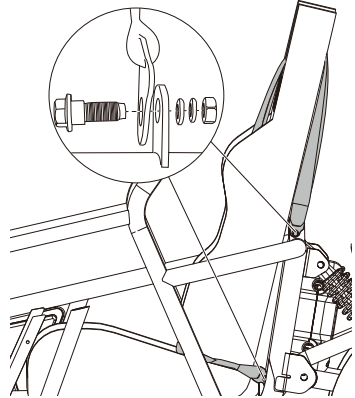
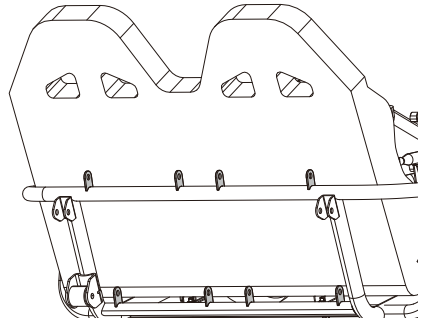


3. Insert two M8 x 40 mm bolts and M8 nuts in Bag B through the mounting holes. Tighten the bolts to secure the seat to the frame.



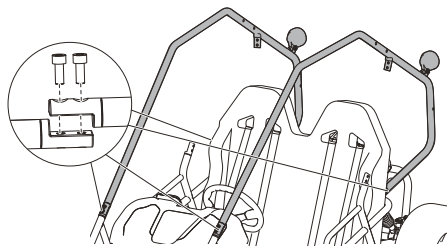
### 3.3 INSTALL THE BELT

1. Attach the end of the belt to the frame and use a bolt, washer, gasket, and nut to secure it in place (as shown in the figure). Repeat this step on all eight anchorage points.



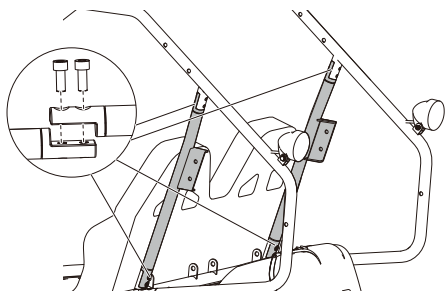
### 3.4 INSTALL THE BRUSH GUARD

1. Attach the two main guards and screw into place using eight M8 x 20 mm bolts (short bolts) in Bag C.

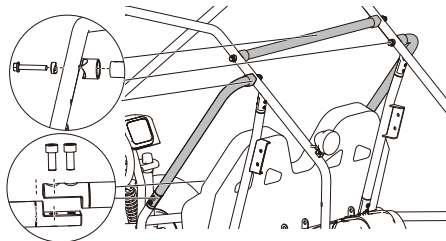


**Note:** Do not fully tighten the bolts. Keep bolts loose until after the support guards are also in place.

- Align the rear support guards between the frame and main guard. Screw into place using eight M8 x 20 mm bolts (short bolts) in Bag C.



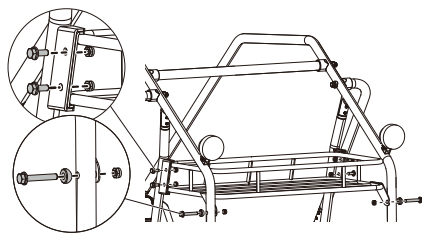
- Attach the two side support guards and one center support guard into place. Screw into place using four M8 x 50 mm flange bolts (long bolts) in Bag C.



- Securely tighten all bolts on the main guards and support guards.

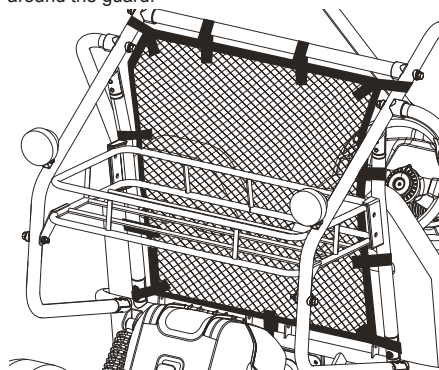
### 3.5 INSTALL THE RACK

- Align the rack to the mounting points on the guard.
- Secure into place using M8 X 20 bolts (short bolts), M8 X45 bolts (long bolts), M8 lock nuts, and washers in Bag D.

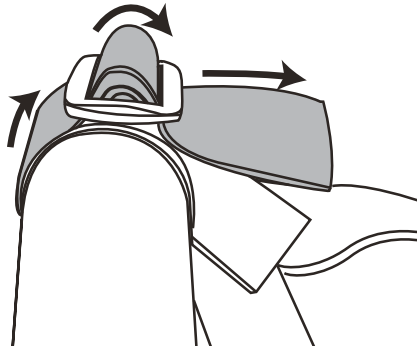


### 3.6 INSTALL THE SAFETY NET

- Secure the safety net looping the eleven ends around the guard.



- Pull the ends** through both sides of the buckle securing it into place.



## 4 OPERATION

This section describes how to operate the product.

### ▲ WARNING

Read and understand the safety chapter and operation instructions before you operate the product.

## 4.1 BEFORE DRIVING

### 4.1.1 PRE-DRIVE CHECKLIST

Make sure to check the condition of the product before each drive.

What to check	Check for
<b>Brake</b>	<ul style="list-style-type: none"> <li>• Ensure the brakes work properly.</li> <li>• Ensure brake pedal is not over worn and is correctly positioned.</li> </ul>
<b>Steering wheel</b>	<ul style="list-style-type: none"> <li>• Ensure the steering wheel is correctly adjusted and tightened, allowing for proper steering.</li> </ul>
<b>Tires</b>	<ul style="list-style-type: none"> <li>• Inflate the tires to the correct PSI before using. Ensure the appropriate tire pressure range is 4-10 PSI/24-68 kpa.</li> <li>• Ensure tires have tread and have no bulges or excessive wear.</li> <li>• Ensure hubs run true and have no obvious wobbles or kinks.</li> <li>• Check that axle nuts are tight.</li> <li>• Look for cracks or leaks.</li> </ul>

### 4.1.2 PERSONAL PROTECTIVE EQUIPMENT

To ensure your safety when operating the product, it is important to dress appropriately, as shown in the picture. Additionally, minors should only operate the product under the supervision of an adult.

**You must:**

- Wear protective gear
- Tie up any long hair
- Wear a helmet
- Zip up any zippers to avoid any loose articles of clothing
- Avoid wearing long skirts
- Wear flat shoes



### 4.1.3 CONNECT THE BATTERY CHARGER

1. Connect the battery charger to the voltage and frequency that is specified on the rating plate.
2. Refer to the Battery Charger Operator Manual for information about how to use the battery charger.

### 4.1.4 CHARGE THE BATTERY

Refer to the Battery Charger Operator Manual for information about how to use the battery charger.

### 4.1.5 BATTERY INFORMATION

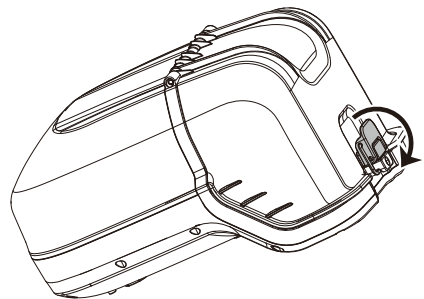
Refer to the Battery Operator Manual for information about how to use the battery.

### 4.1.6 CONNECT THE BATTERIES TO THE PRODUCT

**Note:** Make sure that the batteries are fully charged.

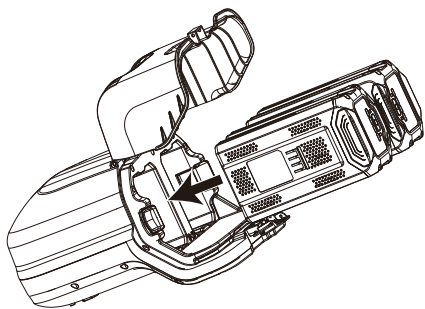
**Tip:** For optimal product performance, install two batteries at the same time.

1. Pull the latch to unlock the battery compartment lid.

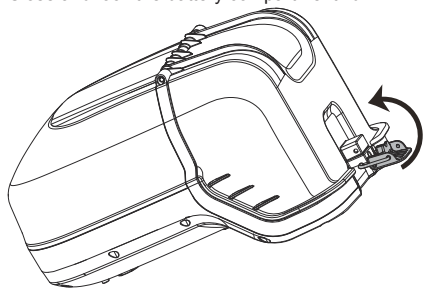


2. Open the battery compartment lid.
3. Push the batteries into the battery compartment. The batteries lock into position when you hear a click.

**Note:** If the battery does not fit easily into the battery holder, it may not be installed correctly, which can cause damage to the battery and/or the product.



4. Close and lock the battery compartment lid.

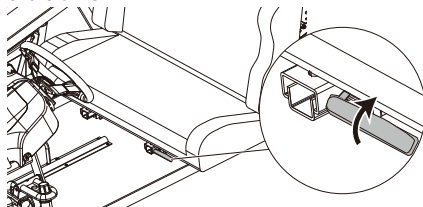


#### 4.1.7 ADJUST THE SEAT

##### ▲ WARNING

Failure to have the seat locked in position could be hazardous. The seat coming loose could cause the operator to lose control. Never operate the product without the seat securely locked in place.

1. Pull up the seat lever to move the seat forward or backward. Set seat location according to the shape of the driver.



#### 4.1.8 FASTEN THE SEAT BELTS

##### ▲ WARNING

Driving this product without properly fastened seat belts for the operator and passengers may increase the chance of injury or death in the event of an accident. Never operate or allow a passenger to drive this product without properly fastening the seat belt.

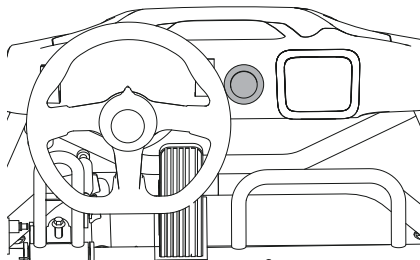
**Note:** if there is no passenger in the passenger seat, make sure the seat belt on the passenger seat is locked together and secured.

1. Sit on the seat.
2. Adjust the length of the shoulder straps.
3. Place the two straps over your shoulders and securely insert the latch plate into the buckle over your hips.

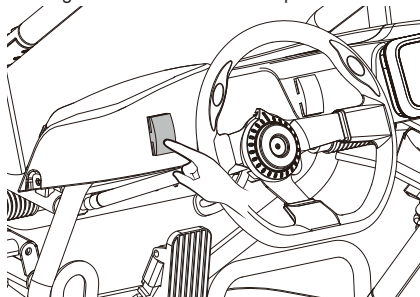


#### 4.2 START THE PRODUCT

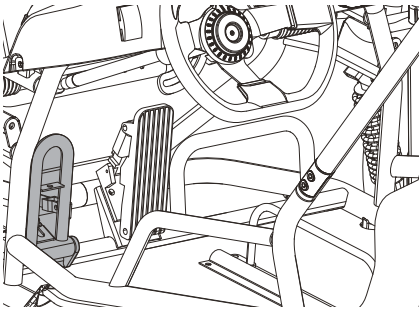
1. Press the start button to turn on the product.



2. Set the gear shift switch to the "D" position.

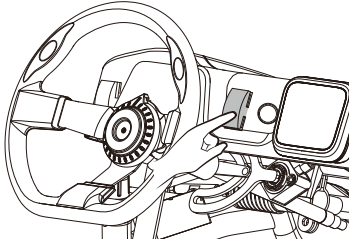


3. Press the brake pedal (left) once to activate the product.



#### 4.3 LIGHT ON/OFF

1. Press the light switch to turn the light on or off.



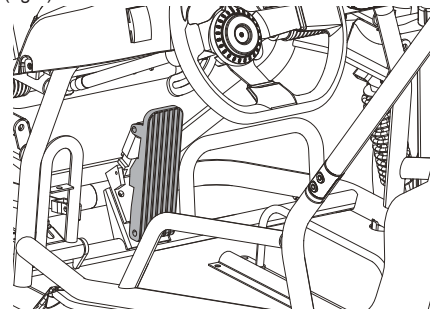
#### 4.4 SPEAKER FUNCTION

With this product, you can enjoy music through your Bluetooth-enabled phone.

1. Turn on the product.
2. Turn on the Bluetooth function on your phone.
3. Choose device GW- 'Model No.' -\*\*\*\*\* to pair.
4. Use your phone to control the volume.

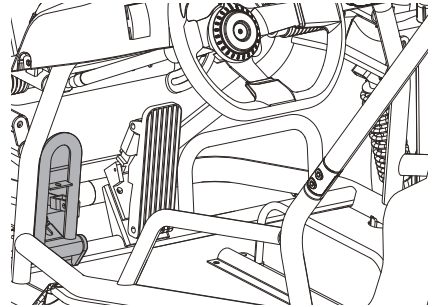
#### 4.5 DRIVE THE PRODUCT

1. Accelerate by lightly press the accelerator pedal (right).

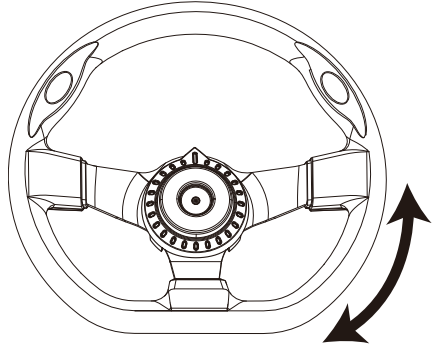


2. Decelerate by lightly press the brake pedal (left).

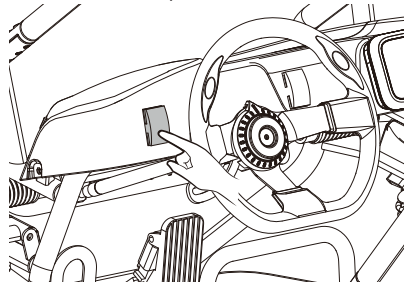
Note: Do not pump the brake pedal to decelerate.



3. Steer the product right and left by slightly turning the steering wheel clockwise or counterclockwise.



4. Reverse by first stopping the product, then setting the gear shift switch to the "R" position. Then lightly press the accelerator pedal to reverse.



#### 4.6 DRIVE UPHILL/DOWNHILL

##### ▲ WARNING

The maximum slope should not exceed 17°.

##### Uphill

1. Before driving uphill, assess the terrain for steepness, loose or slippery areas, and obstacles.
2. Maintain a consistent speed while driving uphill.

- Reduce speed as you approach the top of the slope. If the product cannot reach the top of the slope:
  - Avoid turning the product around while driving, as this may cause it to roll over.
  - Slowly reverse the product while using the brakes.

### ▲ WARNING

To prevent the product from flipping over, avoid driving it downhill on sharp angles.

#### Downhill

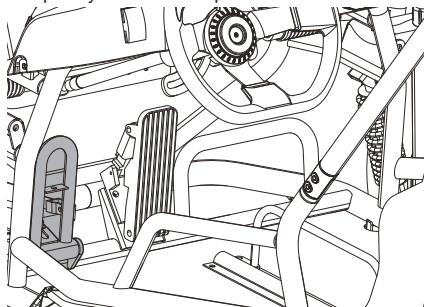
- Before driving downhill, assess the terrain for steepness, loose, or slippery areas, and obstacles.
- Go straight down the hill. Avoid sharp turns or sudden movements that could cause loss of control.
- Use the brakes to control your speed. Press the brake intermittently to avoid brake overheating.

## 4.7 STOP THE PRODUCT

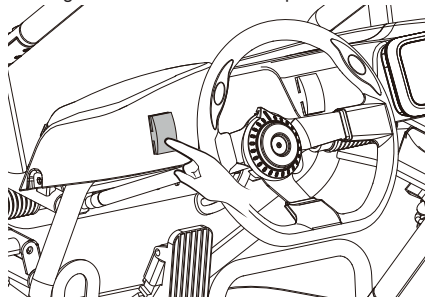
### ▲ WARNING

Do not park the product on a slope.

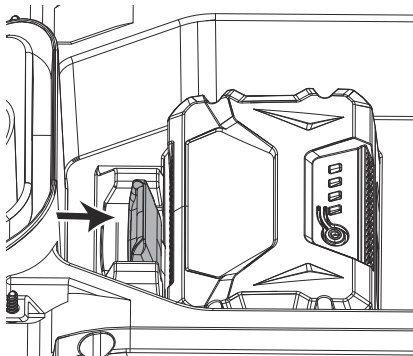
- Slightly press the brake pedals until product has completely come to a stop.



- Set the gear shift switch to the "N" position.



- Press the battery release button and pull out the batteries.



## 5 SMARTG HOME APPLICATION

SMARTg Home is a free mobile application that provides additional features for your Greenworks product. These features include extended information about products, product parts and servicing.

### 5.1 SETUP

- Download the SMARTg Home app on your mobile device.
- Register in the SMARTg Home app.
- Follow the instructions in the SMARTg Home app to connect and register the product.

**Note:** Ensure that your phone's Bluetooth function is always on.

## 6 MAINTENANCE

### **i** IMPORTANT

Carefully read and understand the safety regulations and the maintenance instructions before you clean, repair or do any maintenance work on the product.

### **▲** WARNING

- Remove battery or batteries from the product before you do any maintenance.
- Failure to follow proper maintenance procedures, using third-party replacement parts, or modifying/removing components can result in injury to the user.

### 6.1 MAINTENANCE SCHEDULE

Item	Before each use	First 5 hours of use	First 20 hours of use or 1 month
Brake & acceleration pedals	I	I	
Tires	I		
Steering wheel		I	I
Front suspension		I	I
Rear suspension		I	I
Nuts and bolts	I	T	T
Brake fluid	Inspect brake fluid level before each use. Check brake lines and components for leaks. Replace brake fluid every 2 years.		

**Note:** I = inspect and clean, adjust, replace or lubricate as necessary, T = tighten

It is recommended that this be done by an authorized service center.

### 6.2 CLEAN THE PRODUCT

Clean the product after each use with water, neutral detergent, and a soft cloth.

### **▲** CAUTION

- Keep water away from battery compartment while washing to avoid damaging the electrical components.
- DO NOT clean with alcohol, gasoline, acetone, or other corrosive/volatile solvents. These substances may damage the external and internal structure of your vehicle.
- DO NOT rub with sandpaper or metal brush.

### 6.3 CLEAN THE BATTERY AND BATTERY CHARGER

### **▲** WARNING

DO NOT clean the battery or the battery charger with water.

- Make sure that the battery and the battery charger are clean and dry before you insert the battery into the battery charger.
- Clean the battery terminals with compressed air or use a soft and dry cloth.
- Clean the surface of the battery and the battery charger with a soft and dry cloth.

## 7 TRANSPORTATION, STORAGE AND DISPOSAL

### 7.1 TRANSPORTATION

- Any removable (electronic) parts, such as the charger and battery, should always be disconnected before transport.
- Avoid transporting the product in bad weather conditions when possible.
- Properly cover any exposed electronic parts during transport when transport in bad weather conditions cannot be avoided.
- High speeds, along with wind, and rain may force moisture into the electronic components, which can lead to temporary malfunctions or permanent defects.
- In case of malfunction occurring after transport in such conditions, remove the battery and allow all parts to air-dry when you reach your destination.

### 7.2 STORAGE

1. Turn off the product and remove the batteries.
2. Thoroughly clean the product and then wax the painted parts with a non-abrasive automotive wax.
3. Inflate the tires with correct air pressure.
4. Store the product in a covered shed or garage to protect it from dust, dirt and humidity. If the product must be stored outdoors, cover it completely with a waterproof cover.
5. Store the product in a safe place to prevent theft.

### 7.3 DISPOSAL OF THE BATTERY, BATTERY CHARGER, AND PRODUCT

Symbols on the product or the package of the product means that the product is not domestic waste. Recycle it at a recycling station for electrical and electronic equipment. This helps to prevent damage to the environment and to persons.

Get in touch with your local authorities, domestic waste service, or your dealer for more information about how to recycle your product.

## 8 ERROR CODES

Error Code	Error Content	Possible Solution
E001	Battery 1 Abnormal	<ul style="list-style-type: none"> <li>• Turn off the product and reinstall the battery.</li> <li>• Please contact after-sales service.</li> </ul>
E002	Battery 2 Abnormal	<ul style="list-style-type: none"> <li>• Turn off the product and reinstall the battery.</li> <li>• Please contact after-sales service.</li> </ul>
E003	Motor 1 Abnormal	<ul style="list-style-type: none"> <li>• Turn off the product and restart it.</li> <li>• Please contact after-sales service.</li> </ul>
E004	Motor 2 Abnormal	<ul style="list-style-type: none"> <li>• Turn off the product and restart it.</li> <li>• Please contact after-sales service.</li> </ul>
E005	PMU Communication Abnormal	<ul style="list-style-type: none"> <li>• Turn off the product and restart it.</li> <li>• Please contact after-sales service.</li> </ul>
E006	Speed Controller Abnormal	<ul style="list-style-type: none"> <li>• Turn off the product and restart it.</li> <li>• Please contact after-sales service.</li> </ul>
E007	Motor Controller Abnormal	<ul style="list-style-type: none"> <li>• Turn off the product and restart it.</li> <li>• Please contact after-sales service.</li> </ul>
E008	Display Abnormal	<ul style="list-style-type: none"> <li>• Turn off the product and restart it.</li> <li>• Please contact after-sales service.</li> </ul>

## 9 TECHNICAL DATA

Voltage	60 V
Maximum payload	275 lbs./125 kg
Driver age	12+ years old
Maximum speed limit	25 mph/40 km/h
Maximum slope	12°
Battery model*	LB604/LB605/LB606/60BA08/LB6041/LB6051/LB6081 and other BAC series
Charger model	CH60R00 and other CAC series
*batteries above 4Ah are recommended	

### The recommended ambient temperature range:

Item	Temperature
Product storage temperature range	32°F (0°C) - 113°F (45°C)
Product operation temperature range	32°F (0°C) - 113°F (45°C)
Battery charging temperature range	39°F (4°C) - 104°F (40°C)
Charger operation temperature range	39°F (4°C) - 104°F (40°C)
Battery storage temperature range	32°F (0°C) - 113°F (45°C)
Battery discharging temperature range	32°F (0°C) - 113°F (45°C)

## 10 LIMITED WARRANTY

Greenworks hereby warrants this product, to the original purchaser with proof of purchase, for a period of eighteen (18) months against defects in materials, parts or workmanship. Greenworks, at its own discretion will repair or replace any and all parts found to be defective, through normal use, free of charge to the customer. This warranty is valid only for products which have been used for personal use that have not been hired or rented for industrial/commercial use, and that have been maintained in accordance with the instructions in the operator's manual supplied with the product from new.

### ITEMS NOT COVERED BY WARRANTY:

1. Any part that has become inoperative due to misuse, commercial use, abuse, neglect, accident, improper maintenance, or alteration.
2. Unit that has not been operated and/or maintained in accordance with the operator's manual.
3. Normal wear and tear.
4. Routine maintenance items such as lubricants.
5. Normal deterioration of the exterior finish due to use or exposure.

### HELPLINE:

Warranty service is available by calling our toll-free helpline, at 1-855-345-3934.

### TRANSPORTATION CHARGES:

Transportation charges for the movement of any power equipment unit or attachments are the responsibility of the purchaser. It is the purchaser's responsibility to pay transportation charges for any part submitted for replacement under this warranty unless such return is requested in writing by Greenworks.

**USA address:**

Greenworks Tools

P.O. Box 1238, Mooresville, NC 28115

**Canadian address:**

Greenworks Tools Canada, Inc.

P.O. Box 93095, Newmarket, Ontario, L3Y 8K3

**Mexico address:**

TECNOLOGIA CAMPO Y JARDIN S.A. DE C.V.

ADMINISTRADORES No. 5336 A, COL. ARCOS DE GUADALUPE, ZAPOPAN , JALISCO , C.P. 45037