



TRUCK STORAGE SOLUTIONS

**INSTALLATION INSTRUCTIONS FOR
ALUMINUM & STEEL ALL PURPOSE CHEST**



MODELS 614-X-04 / 624-X-04 / 634-X-04 / 635-X-04

Note: X represents the color code for your model: 0 = Clear | 5 = Black | 52 Textured Black

⚠ NOTICE

There may be left over components depending on up-fit. Any modification or unintended use of this product shall immediately void all manufacturer's warranties. Manufacturer disclaims all liability for injuries to persons or property resulting from any modification to, or unintended use of this product.

⚠ CAUTION

To keep debris out of your eyes when checking the underside of the vehicle, or when drilling, always wear protective eye wear. Never load your rack to exceed the safe rated capacity of your vehicle. Heavy loads carried high can dangerously alter the center of gravity.

⚠ DANGER

Danger of explosion. Do not use this product for storing or transporting flammables, explosives, hazardous materials, or hazardous waste, such as containers of gasoline, solvents, gun powder, dynamite, propane tanks, acetylene tanks and cutting torches.


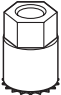


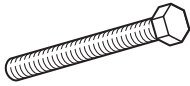







⚠ WARNING

Always place and tightly secure ladder on rack with a sufficient barrier (tape/padding) between the ladder and rack. Failure to properly secure the ladder on the rack while in transit could cause damage leading to structural collapse of the ladder and potential injury or death. This product is only intended for, and only safe for, transporting ladders, lumber, pipe and other similar materials. It is the responsibility of the user to secure these materials to the rack before transporting. Any modifications made to this product, or use of this product for any other purpose than its intended use, could create a hazardous condition that can cause serious personal injury or property damage. This product is only intended and safe for use in storing and transporting small tools, equipment and other similar materials. Any modifications made to, or unintended use of this product, could create a hazardous condition that can cause death, serious personal injury or property damage.

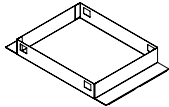

TOOLS REQUIRED

- Electric Drill
- Drill Bits: 3/8", 1/2"
- Open or Box End Wrench - (2) 1/2", 9/16"
- Hammer
- Pencil/Marker
- Oil/Grease
- Center Punch
- Tape Measure

BOLT KIT

 (4) 5/16-18 Blind Fastener	 (1) Installation Tool	 (4) Floor Mounting Spacer	 (4) 5/16-18 x 1-1/4" Hex Head Bolt	 (1) 5/16-18 x 2-1/4" Black Oxide Bolt
 (8) 5/16" Flat Washer	 (4) 5/16-18 Nylon Lock Nut	 (4) Rubber Grommet	 (4) 5/16" Lock Washer	 (8) 1/2" x 1" Plastic Washer
 (4) 11/32" x 7/8" Plastic Washer	 (8) 5/16" x 3/4" Plastic Washer			

PARTS LIST

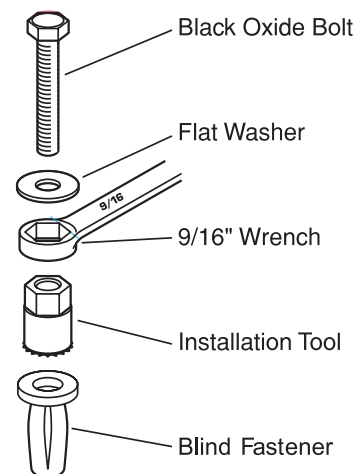
 (1) Tray Except Model 614	 (2) Key			
---------------------------------------------------------------------------------------------------------------------	------------------------------------------------------------------------------------------------	--	--	--

BLIND FASTENER INSTALLATION

Note: Make sure there is enough hole depth before installing the Blind Fastener.

Note: Black Oxide Bolt, Flat Washer, and Installation Tool are only used to install Blind Fasteners.

- Install Blind Fastener using the figure shown as a guide.
- Place a drop of oil on black oxide bolt for lubrication.
- Insert Blind Fastener in the hole.
- Hold the "Installation Tool" with a 9/16" wrench while turning the "Black Oxide Bolt" with a 1/2" wrench until fully seated.
- Turning "Black Oxide Bolt" will be hard until fastener "bulbs" out.
- When Blind Fastener is fully seated, continue with installation.



ALUMINUM TRUCK BED INSTALLATION

Coat drilled holes with Zinc Rich Primer. Insert Blind Fastener through one 1/2" x 1" plastic washer. Insert Blind Fastener into drilled hole. Place second 1/2" x 1" plastic washer through the bottom of the Blind Fastener. Continue following installation instructions above to install Blind Fasteners.

FEATURE OPERATION

Lock System

The WEATHER GUARD® 1KEY ULTRALOCK™ Lock is designed to provide maximum security, while providing ease of use and years of reliable service. When the button is pressed in the unlock mode, the latches are activated and the cover opens.



Lock

Turn the key counterclockwise to the locked position as indicated on the lock bezel. When the button is now pressed, it will stay in the retracted or tamper-resistant position until unlocked.



Unlock

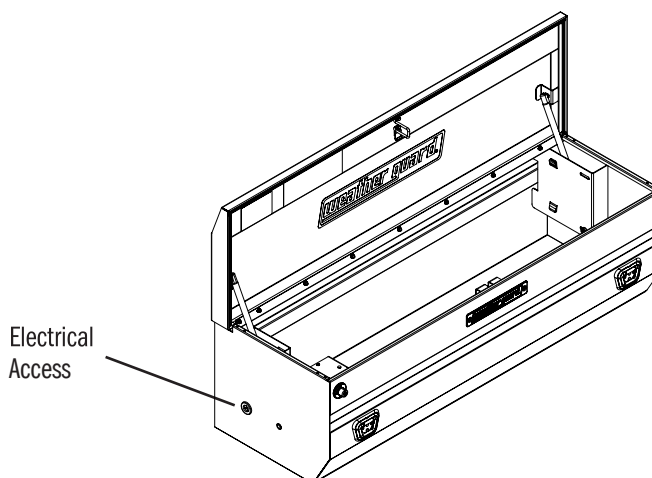
Turn the key clockwise to the unlocked position as indicated on the lock bezel. Button will pop out and is now ready to release the latches when pressed.

Latch System

The WEATHER GUARD® Latch System utilizes automotive grade latches in conjunction with high strength latch strikers to ensure maximum security. The WEATHER GUARD® Latch System is designed to open with a single touch of the button, and close securely. Expect years of reliable service from the WEATHER GUARD® Latch System with only minimal maintenance: Lubricate latch pivot points bi-annually with white grease. If latch strikers are accidentally knocked out of alignment, simply use a mallet to re-align.

12V Electrical Access

WEATHER GUARD® Truck Boxes are equipped with a 12 volt electrical access grommet for easy electrical accessory fit-ups. To use, simply cut along one or more perforations in the rubber grommet and run wire through.



⚠ WARNING

Extension Cord

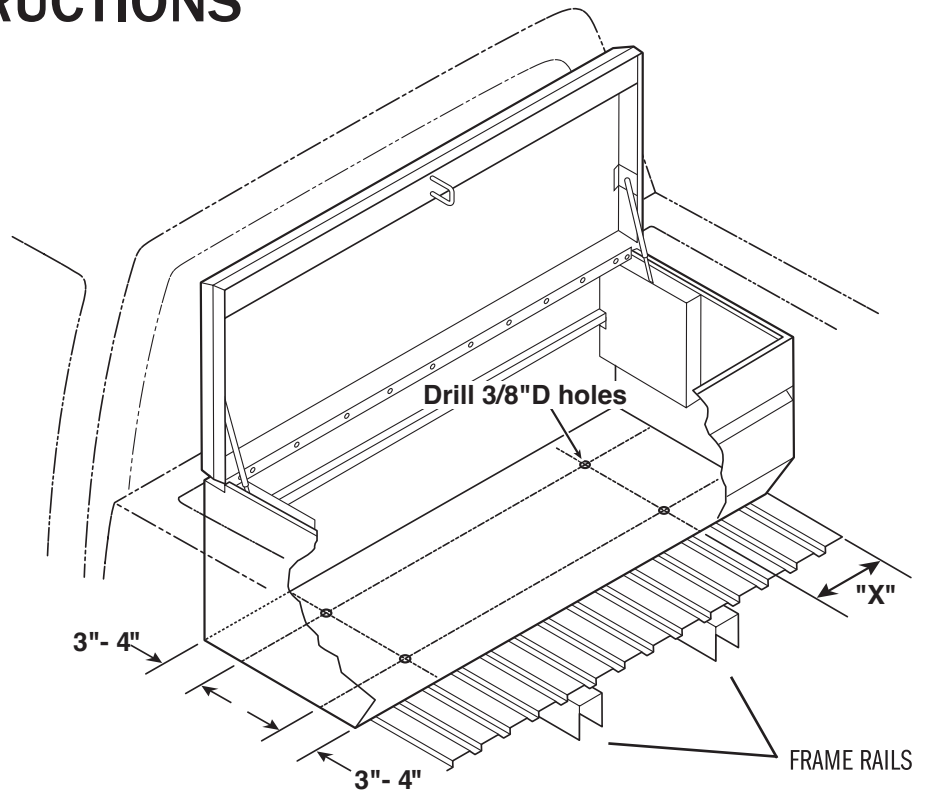
- Follow all Extension Cord manufacturer's warnings and instructions.
- DO NOT insert extension cord through hole without grommet in place.
 - Only use a three-wire extension cord with all three prongs intact. Never remove the round grounding prong.
 - Extension cord must be connected to a 120 Volt GFCI protected outlet with proper ground. If GFCI outlet is not available, use an extension cord with GFCI protection built in.
 - Check the insulation and plugs of extension cord before using. DO NOT use cord if it is worn or damaged.
 - DO NOT overload extension cord.
 - Remove extension cord from the grommet hole before moving or transporting saddle/cross box.
 - Only use an extension cord that is rated for outdoor use.
 - DO NOT connect extension cord to outlet that also supplies critical safety equipment with power.

Cordless Power Tool Battery Chargers

- See Charger's Owner's Manual for proper use and care of charger and batteries. Follow all warnings and instructions provided with your battery charger.
- Place chargers and electrical connections in tray.
- Chargers are dry location use only. DO NOT expose to liquid, vapor, or rain. Should your charger become wet, DO NOT attempt to use.
- Unplug extension cord from supply before handling wet charger or cords.
- Only use chargers and batteries that are intact and operating properly.
- DO NOT touch metal prongs when plugging charger into extension cord.
- Keep flammable materials like paper or rags away from charger, cords or connections.
- DO NOT place or attempt to charge lead acid, car type batteries in saddle/cross box.

INSTALLATION INSTRUCTIONS

- Note:** · If your truck bed is constructed of aluminum, use zinc rich primer to coat drilled holes.
- If the pickup is fitted with a plastic drop-in bed liner, it may need to be drilled, trimmed, or cut for proper installation of truck box.
 - Truck box cover may not properly latch until box is fully bolted to truck bed.
 - Periodically check tightness of mounting bolts to ensure proper attachment.
 - Use touch-up paint on any drilled holes to prevent oxidation.
 - Install boxes with vehicle parked on level ground.



STEP 1 Locate Box in Truck Bed

Note: · Fasten truck box directly to bed floor, not bed liners or mats. A drop of oil or grease should be applied to both faces of grommets before tightening the fasteners to prevent grommets from binding on washers.

Place box in truck bed and center. Check for interference with box cover open. Select two ribs in truck bed on which to mount box (preferably outside of frame rails). Measure from middle of selected rib to truck box end (dimension "X" in figure above). Transfer dimension "X" to inside of both sides of truck box. Mark a line 3"-4" from front and back on inside of truck box.

STEP 2 Drill Mounting Holes

Note: · For a one person installation, if desired, the box may be installed using blind fasteners, eliminating the use of nuts and washers on the underside of the bed. In this case, re-drill the 3/8" holes in the bed with a 1/2" drill bit.

For a regular installation, use a blind fastener in areas where standard fasteners can't be used, such as heat shields and support channels.

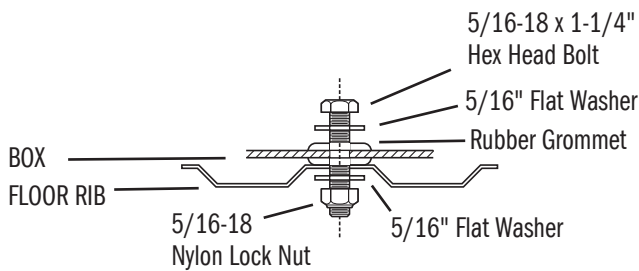
Drill 3/8" holes through box and truck bed at marked locations. Install (4) rubber grommets into holes in the box.

ALUMINUM TRUCK BED INSTALLATION:

Follow additional instructions if mounting to an aluminum truck bed as explained in the Blind Fastener Installation on page 2.

STEP 3 Attach Box to Truck Bed (Select 1 of 4 mounting styles that fits your application)

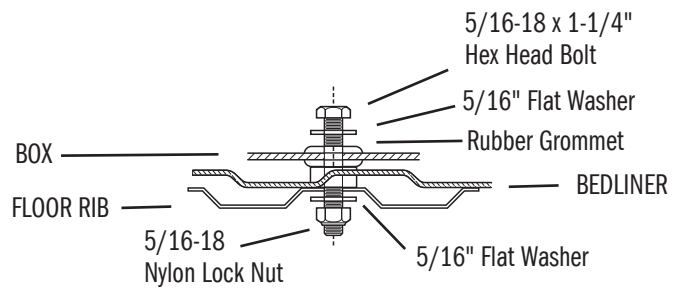
Style 1: No Bedliner, using through bolts



ALUMINUM TRUCK BED INSTALLATION:

Place a 5/16" x 3/4" plastic washer between the floor rib and 5/16" flat washer. Place another 5/16" x 3/4" plastic washer between the rubber grommet and floor rib.

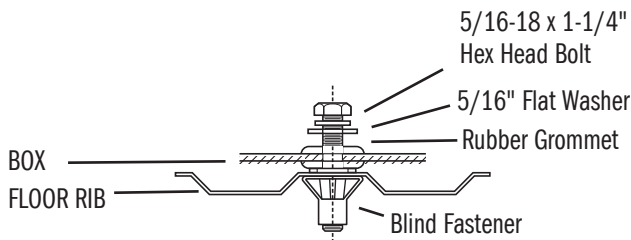
Style 2: Bedliner, using through bolts



ALUMINUM TRUCK BED INSTALLATION:

Place a 5/16" x 3/4" plastic washer between the floor rib and 5/16" flat washer. Place another 5/16" x 3/4" plastic washer between the rubber grommet and floor rib.

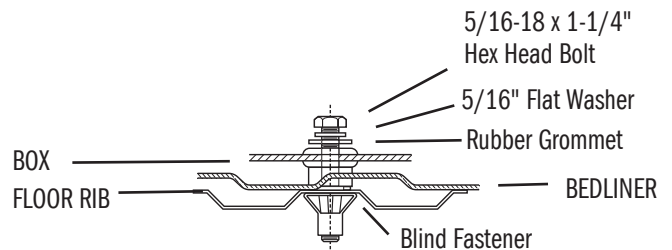
Style 3: No Bedliner, using Blind Fasteners



ALUMINUM TRUCK BED INSTALLATION:

Follow additional instructions if mounting to an aluminum truck bed as explained in the Blind Fastener Installation on page 2. In addition to following the blind fastener installation, place a 5/16" x 3/4" plastic washer between the rubber grommet and floor rib.

Style 4: Bedliner, using Blind Fasteners



ALUMINUM TRUCK BED INSTALLATION:

Follow additional instructions if mounting to an aluminum truck bed as explained in the Blind Fastener Installation on page 2. In addition to following the blind fastener installation, place a 5/16" x 3/4" plastic washer between the rubber grommet and floor rib.

WERNER CO. LIMITED LIFETIME WARRANTY FOR WEATHER GUARD® PRODUCTS

WEATHER GUARD® Products – Limited Lifetime Warranty (Purchased on or after 1/1/2009)

WERNER CO. (the “Manufacturer”) warrants to the original purchaser only that WEATHER GUARD® Truck and Van Products (the “WEATHER GUARD® Product”) will be free from defects in material and workmanship from the date of purchase and continuing for the expected lifetime of the WEATHER GUARD® Product. A copy of the original sales receipt must be supplied to the Manufacturer at the time a warranty claim is made. This warranty terminates if the original purchaser transfers the WEATHER GUARD® Product to any other person.

What is Covered

All WEATHER GUARD® Products identified above that are purchased on or after January 1, 2009.

What We Will Do To Correct Problems

Subject to the limitations and exclusions described in this limited warranty, the Manufacturer will remedy defects in materials or workmanship by providing one of the following remedies at its option and without charge to the original purchaser for parts or labor: (a) repairing the defective portion of the WEATHER GUARD® Product or (b) replacing the entire WEATHER GUARD® Product. In addition, the Manufacturer may elect at its option, not to repair or replace the WEATHER GUARD® Product, but rather issue to the original purchaser a refund equal to the purchase price paid for the WEATHER GUARD® Product or a credit to be used toward the purchase of a new WEATHER GUARD® Product.

What is Not Covered

This limited warranty expressly excludes:

- Defects caused by normal wear and tear, cosmetic rust, scratches, accidents, unlawful vehicle operation, or modification to the product, or any types or repair of a WEATHER GUARD® Product other than those authorized or provided by the Manufacturer.
- Defects resulting from conditions beyond the Manufacturer’s control including, but not limited to misuse, overloading, or failure to assemble, mount or use the WEATHER GUARD® Product in accordance with the Manufacturer’s written instructions or guidelines included with the WEATHER GUARD® Product or made available to the original purchaser.
- Damage to the contents of the box or vehicle.
- TO THE EXTENT PERMITTED BY LAW, IN NO EVENT SHALL THE MANUFACTURER BE LIABLE FOR ANY INCIDENTAL, SPECIAL, INDIRECT, OR CONSEQUENTIAL DAMAGES, INCLUDING ANY ECONOMIC LOSS, WHETHER RESULTING FROM NONPERFORMANCE, USE, MISUSE OR INABILITY TO USE THE WEATHER GUARD® PRODUCT OR THE MANUFACTURER’S NEGLIGENCE.

No Other Express Warranty Applies

This Limited Lifetime Warranty is the sole and exclusive warranty for WEATHER GUARD® Products. No employee, agent, dealer, or other person is authorized to alter this warranty or make any other warranty on behalf of WERNER CO.

Notification Procedures

If the WEATHER GUARD® Product does not conform with the terms of this limited warranty, the original owner must promptly notify the Manufacturer in writing upon discovery of the nonconformity. In order to receive the remedies under this limited warranty, the warranty claim must describe the nature of the nonconformity, and a copy of the original sales receipt, invoice, bill or other proof of purchase must accompany the claim. Repairs or modifications made to the WEATHER GUARD® Product by other than the Manufacturer or its authorized agent will nullify this limited warranty. Coverage under this limited warranty is conditioned at all times upon the owner’s compliance with these required notification and repair procedures. Warranty claims must include reciprocal contact information and may be made via certified mail to:

WERNER CO.



ATTN: Weather Guard® Warranty Claims
555 Pierce Road, STE 300 • Itasca, IL 60143
weatherguard.com

If you have any questions, please call toll free at 1-800-456-7865

Part No. 24-00161DIG REV. A