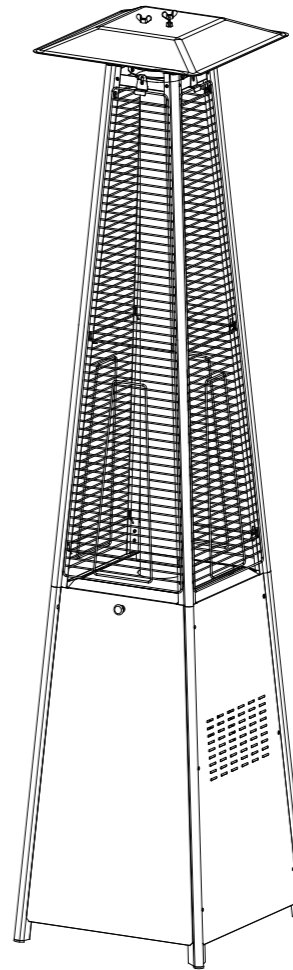




Outdoor Patio Heater



WARNINGS & INSTRUCTIONS
ADVERTENCIAS E INSTRUCCIONES

MODEL: PH02

CONTENTS

Assembly Instruction	1-10
Trouble Shooting	11
Warranty and Service	12-13

WARNING

FOR OUTDOOR USE ONLY

DANGER

If you smell gas:

1. Shut off gas supply to the appliance.
2. Extinguish any open flame.
3. If odor remains, keep away from the appliance and immediately call fire department.

NOTE: Read all instructions prior to assembly and use. Failure to follow the instructions in this manual could result in bodily injury and/or property damage, personal injury or death.

WARNING

1. The installation must conform with local codes or, in the absence of local codes, with either the National Fuel Gas Code, ANSI Z223.1/NFPA 54.
2. Do not store or use gasoline or other flammable liquids or vapors in the vicinity of this or any other appliance.
3. An LP cylinder not connected for use shall not be stored in the vicinity of this or any other appliance.

CAUTION

1. Please keep this manual for future reference.
2. DO NOT operate this appliance unattended.
3. Do not store or use gasoline or other flammable vapors and liquids within 25 feet (7.62m) of this or any other appliance, combustible material, including but not limited to gasoline, and other flammable vapors and liquids, wood, dry plants and grass, brush, paper, and canvas.
4. This patio heater is not to be installed or used in or on recreational vehicles and/or boats.
5. DO NOT use gasoline, kerosene, or alcohol for lighting. Use propane gas only (propane gas cylinder not included).
6. DO NOT paint or color any part of this heating unit.
7. DO NOT use the patio heater unless it is completely assembled, and all parts are securely fastened and tightened.
8. DO NOT use this patio heater if any parts have been under water.
9. DO NOT use this appliance on or under apartment or condominium balcony or deck, garage or any other enclosed area.
10. DO NOT obstruct the air flow for combustion and ventilation.
11. DO NOT set the protective cover over the unit until it is turned off and completely cools down.
12. DO NOT lean over this outdoor patio heater when lighting or when it is in use.
13. DO NOT attempt to move the appliance when rain, hail, sleet or other precipitation happen. Immediately turn off the burner and gas supply, then cover this patio heater.
14. Clean and inspect the hose before each use. If there is evidence of abrasion, wear, cuts, or leaks, the hose must be replaced before operating the appliance. The replacement hose assembly must be as per the manufacturer specifications specified.
15. Always use this patio heater on a hard, level non-combustible surface such as concrete, rock or stone.
16. Keep the appliance's valve compartment, burners, and circulating air passages clean. Inspect the appliance before each use.
17. Before each use, examine the burner and its components. If dirty, clean with a soft brush and soapy water solution. Also examine the area around the burner. Any dirt or other material, such as spider webs or nests in this area should be removed. If the burner shows any kind of damage, do not operate the appliance. For assistance with repair or replacement of the burner or any other parts, please contact us at service@outermust.com.
18. If a fire should occur, keep away from the appliance and immediately call your fire department. DO NOT attempt to extinguish with water. Use a Type BC dry chemical fire extinguisher or smother fire with dirt, sand or baking soda.

CALIFORNIA PROPOSITION 65 WARNINGS

1. Fuels used in gas burning appliances and the combustion byproducts of such fuels, can expose you to chemi-cals including carbon monoxide, which is known to the State of California to cause birth defects or other repro-ductive harm.
2. This product contains Nickel (Metallic) known to the State of California to cause cancer.
3. This product contains Lead and Lead Compounds known to the State of California to cause cancer and birth defects or other reproductive harm.

For more information, go to: www.P65Warnings.ca.gov

DANGER: LP CYLINDER RISK!

Liquid propane gas is flammable and hazardous if handled improperly. Understand the characteristics before using any propane product.

1. Propane characteristics: Flammable, explosive under pressure, heavier than air, settles in pools and low areas.
2. In its natural state, propane has no odor. For your safety, an odorant has been added.
3. Contact with propane can cause freeze burns to the skin.
4. This appliance is shipped from the factory for use with propane gas only.
5. Never use a propane cylinder with a damaged body, valve, collar, or footing.
6. Dented or rusted propane cylinders may be hazardous and should be checked by your propane gas supplier.

ADVERTENCIAS SOBRE LA PROPOSICIÓN 65 DE CALIFORNIA

1. Los combustibles utilizados en los electrodomésticos de gas y los subproductos de la combustión de dichos combustibles pueden exponerlo a sustancias químicas, incluyendo el monóxido de carbono, que se sabe en el Estado de California que causa defectos de nacimiento u otros daños reproductivos.
2. Este producto contiene Níquel (Metálico), conocido en el Estado de California por causar cáncer.
3. Este producto contiene Plomo y Compuestos de Plomo, conocidos en el Estado de California por causar cáncer y defectos de nacimiento u otros daños reproductivos.

Para obtener más información, visite: www.P65Warnings.ca.gov.

PELIGRO: ¡RIESGO POR CILINDRO DE LP!

El gas propano líquido es inflamable y peligroso si se maneja de manera incorrecta. Es fundamental comprender sus características antes de utilizar cualquier producto de propano.

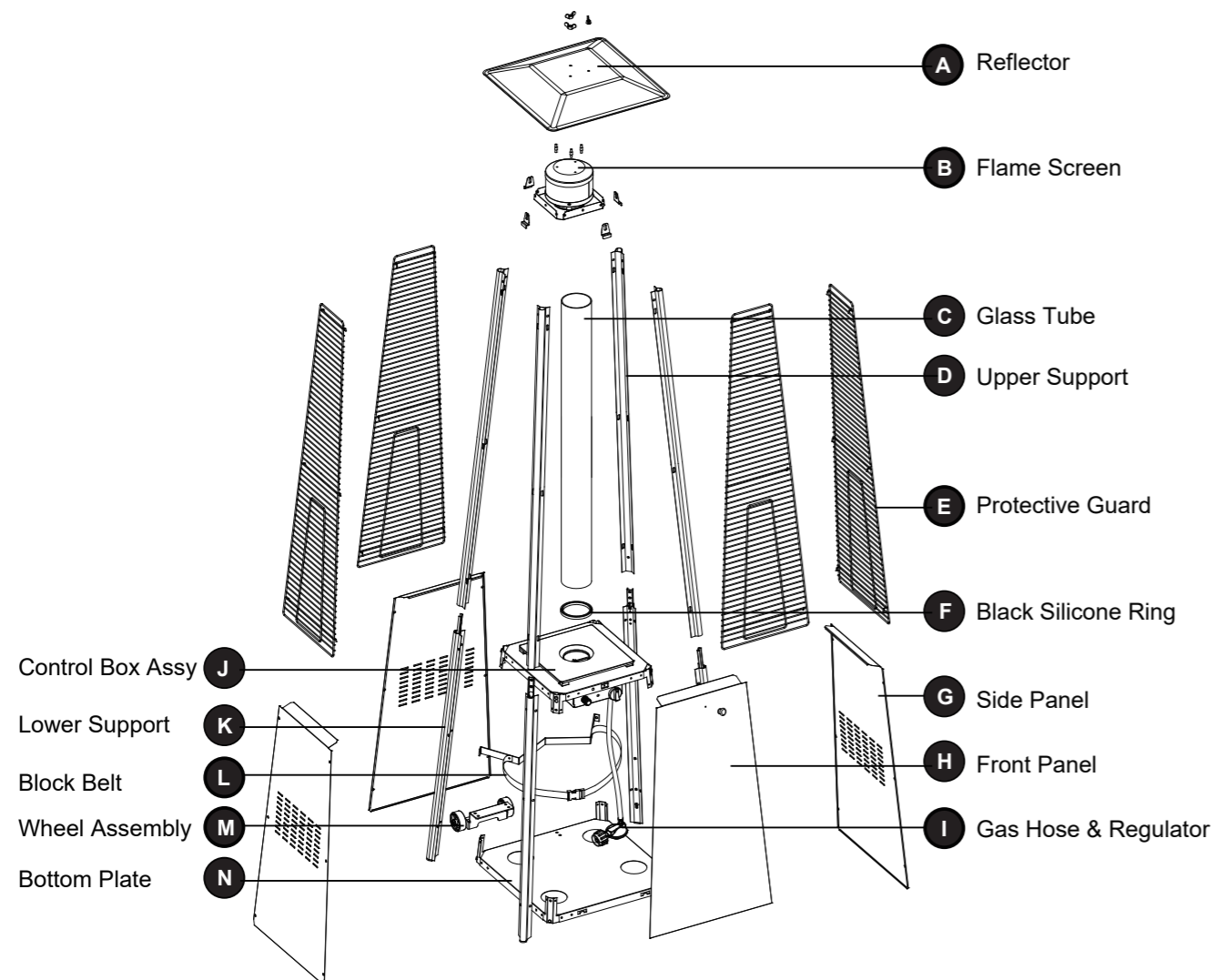
1. Características del propano: Inflamable, explosivo bajo presión, más pesado que el aire, tiende a acumularse en zonas bajas y formar pozos de gas.
2. En su estado natural, el propano no tiene olor. Para su seguridad, se ha añadido un agente odorizante.
3. El contacto con el propano puede causar quemaduras por congelación en la piel.
4. Este electrodoméstico se envía de fábrica para su uso exclusivo con gas propano.
5. Nunca utilice un cilindro de propano que presente daños en su cuerpo, válvula, collar o base.
6. Los cilindros de propano abollados o oxidados pueden ser peligrosos y deben ser revisados por su proveedor de gas propano.



READ ALL SAFETY WARNINGS AND INSTRUCTIONS IN THE OWNER'S MANUAL BEFORE ASSEMBLING OR OPERATING YOUR GRILL.

LEA TODAS LAS ADVERTENCIAS DE SEGURIDAD E INSTRUCCIONES DEL MANUAL DEL PROPIETARIO ANTES DE MONTAR O PONER EN FUNCIONAMIENTO SU PARRILLA.

CONTENTS / CONTENIDO:



PARTS DIAGRAM

Item	Description	Qty.
A	Reflector	1
B	Flame Screen	1
C	Glass Tube	1
D	Upper Support	4
E	Protective Guard	4
F	Black Silicone Ring	1
G	Side Panel	3
H	Front Panel	1
I	Gas Hose & Regulator	1
J	Control Box Assy	1
K	Lower Support	4
L	Block Belt	1
M	Wheel Assembly	1
N	Bottom Plate	1

▲ Two-person assembly recommended
▲ Montaje recomendado para dos personas

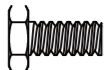

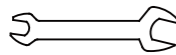
Tool required:
Herramienta necesaria:

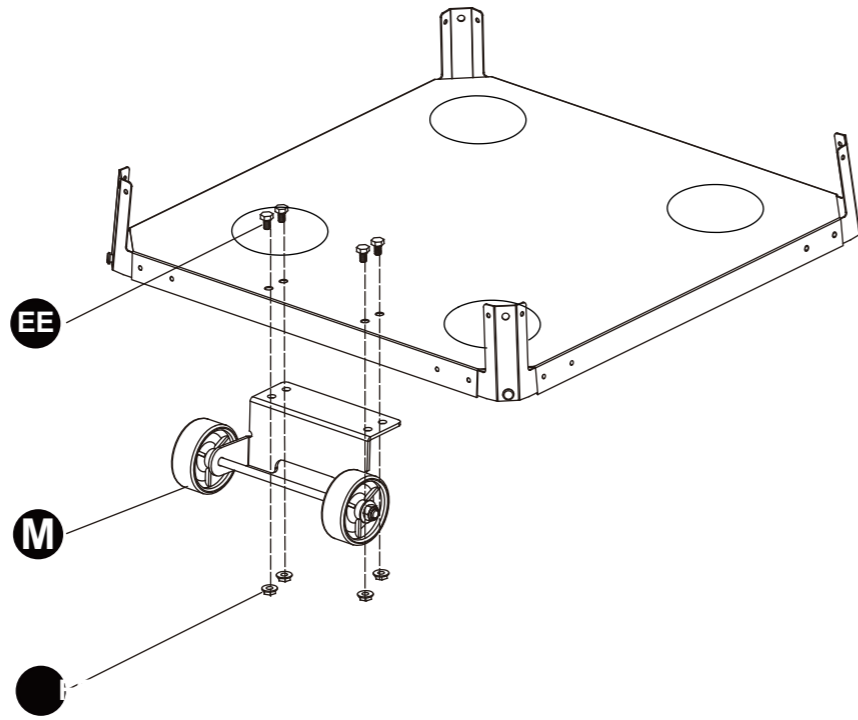


Part#	Diagram and Description	Qty.
AA	Wing Nut	3
BB	Small Flat Washer Φ 6	6
CC	Stud	3
DD	3/16" Screw	42
EE	Bolt M6x12	4
FF	M6 Flange Nut	4
GG	Screw M5x12	6
HH	Fixing Bracket	4
LL	Knob	1
MM	Screw M4x10	1
NN	Chain	1
OO	AAA Battery(1.5V)	Not Included

1.

Hardware Used:



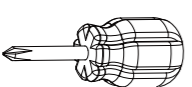
- EE** Bolt M6 X 12  x 4
- FF** M6 Flange nut  x 4
- JJ** Wrench  x 1

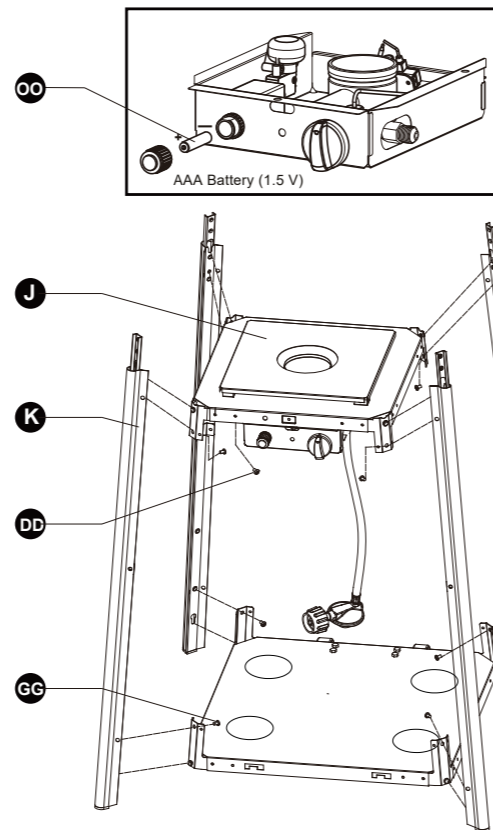


Assemble the wheel assembly to the bottom plate. Fix the wheel assembly to the bottom plate using 4pcs bolt M6X12 and 4pcs flange nut M6.

2.

Hardware Used:

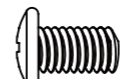
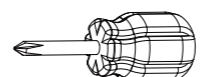
- GG** Screw M5 X 12  x 4
- DD** 3/16" Screw  x 4
- KK** Philips screwdriver  x 1

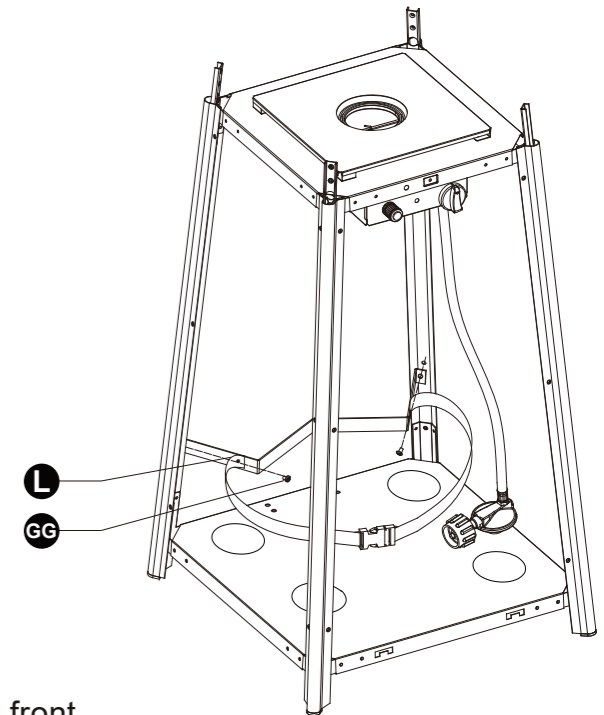


2-1. Unscrew the switch button, load small battery, tighten the switch button.
 2-2. Insert the pins of the base to the holes of lower support, press to secure the pins. Using 4pcs screw M5x12 to secure the lower support and base. Insert the pins of the control box assy to the holes of upper support, press to secure the pins. Using 4pcs screw 3/16" screw to secure the upper support and control box assy.

3.

Hardware Used:


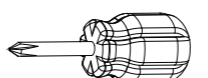
- GG** Screw M5 X 12  x 2
- KK** Philips screwdriver  x 1

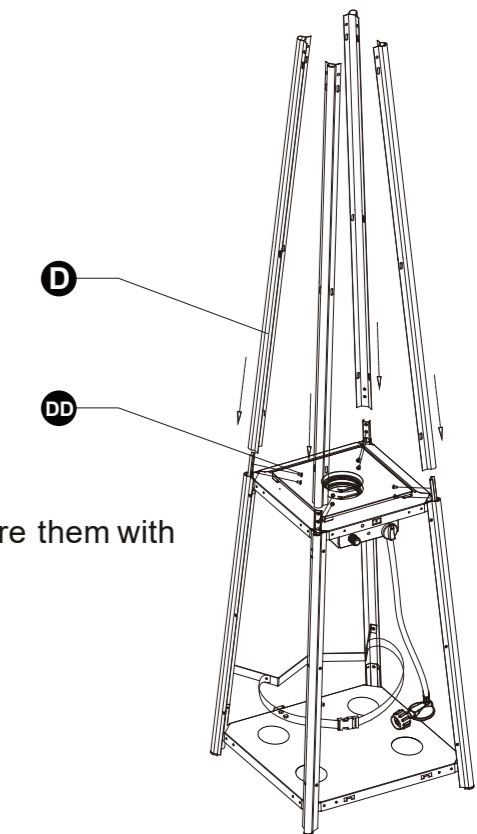


Fix the block belt to the 2pcs of lower support behind the front door, using 2pcs screw M5X12.

4.

Hardware Used:


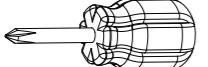
- DD** 3/16" Screw  x 8
- KK** Philips screwdriver  x 1



Insert the 4pcs upper support to the lower support. Secure them with 8pcs screw 3/16".

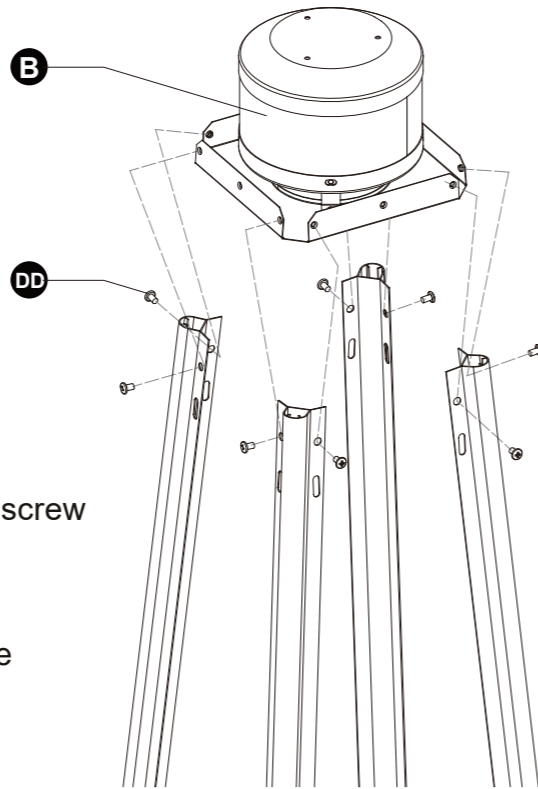
5.

Hardware Used:

- DD** 3/16" Screw  x 8
- KK** Philips screwdriver  x 1


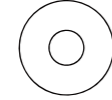
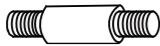
Secure the flame screen to the upper support using 8pcs screw 3/16".

Note:
Please remove the blue film from the reflector cover before installation!



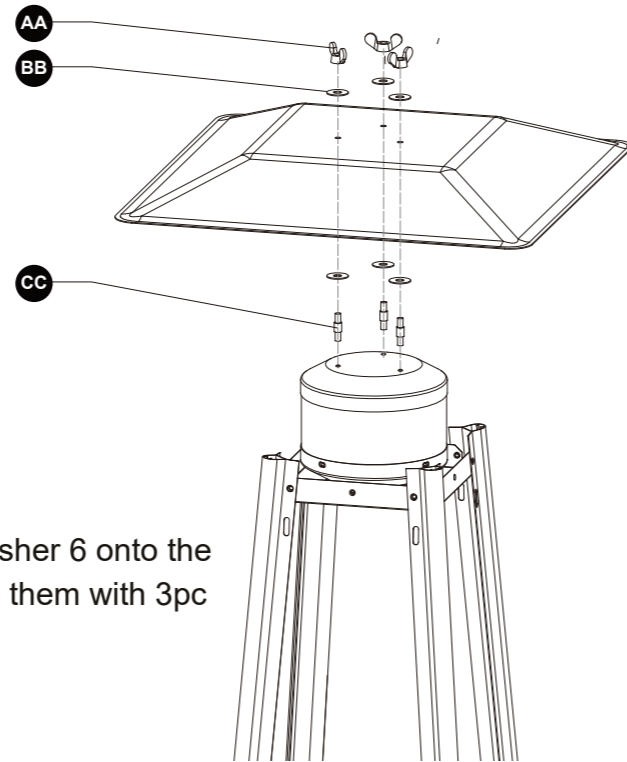
6.

Hardware Used:

- AA** Wing nut  x 3
- BB** Washer Φ6  x 6
- CC** Stud  x 3

Screw the 3pcs stud on the flame screen, put 3pcs washer 6 onto the top of stud, then put the reflector onto the stud, secure them with 3pcs washer 6 and 3pcs wing nut.

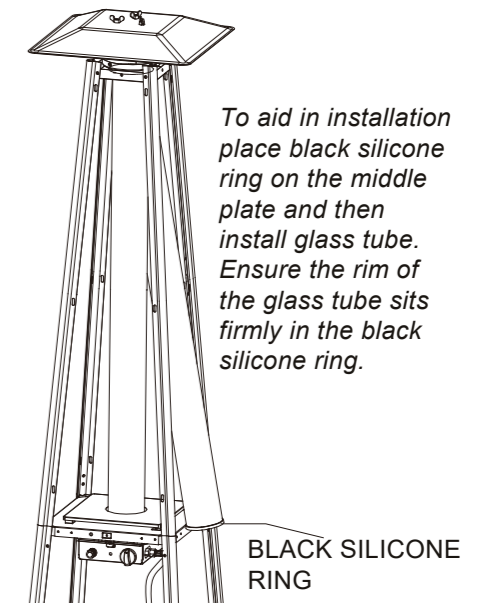
Note:
Please remove the blue film from the reflector cover before installation!



7.




Carefully install the glass tube by lifting up and inserting through the center hole in the upper plate. Ensure the black silicone ring is attached to the lower edge of the glass tube as illustrated. Slide the glass tube through the hole of the lower plate cover and onto the middle plate. Check and ensure that the glass tube is positioned properly and is completely covering the center hole of the middle plate.

WARNING:
The black silicone ring must be in place prior to operation the heater

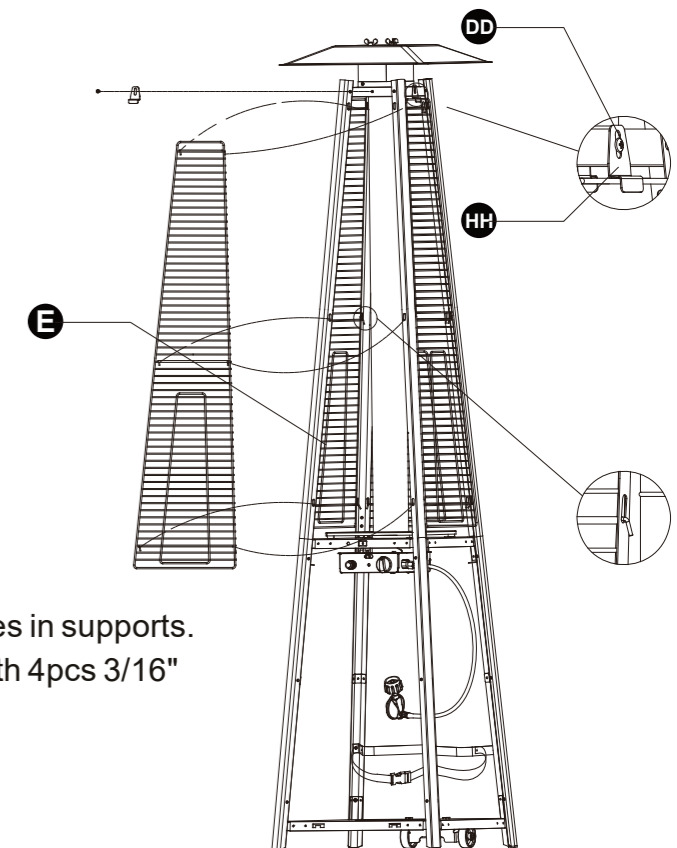


8.

Hardware Used:

- DD** 3/16" Screw  x 4
- KK** Philips screwdriver  x 1
- HH** Fixing Bracket  x 4

Hang the hooks of the protective guard onto the holes in supports. Secure the protective guards with fixing brackets with 4pcs 3/16" screws.

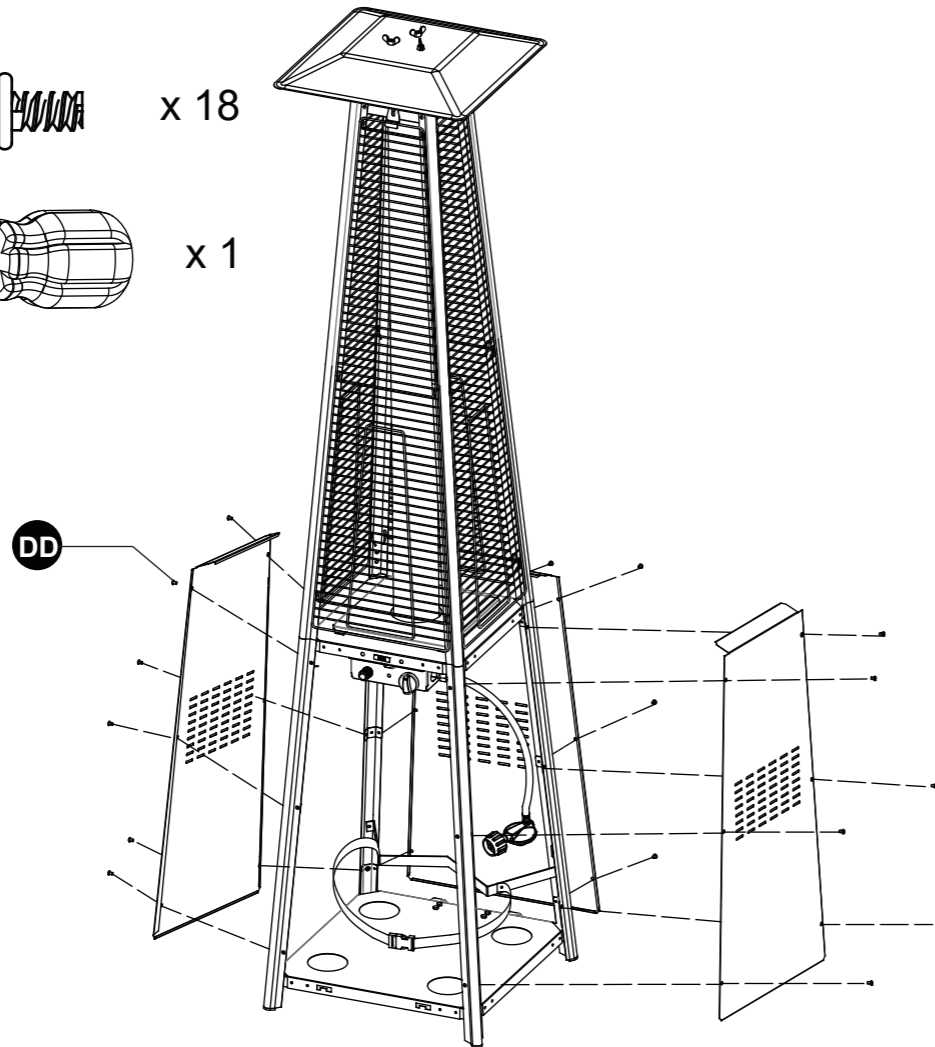


9.

Hardware Used:

DD 3/16" Screw  x 18


KK Philips screwdriver  x 1




Attach the three side panels to the heater using 18pcs screw 3/16".
Note : Do not cover the front side where the control knob is.

10.

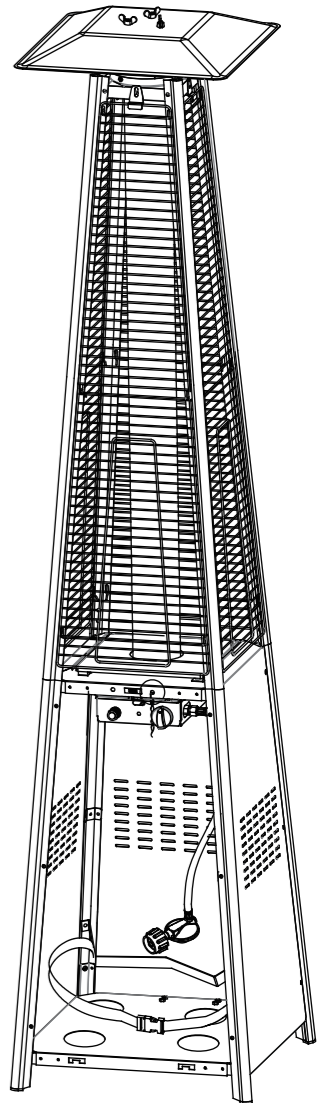
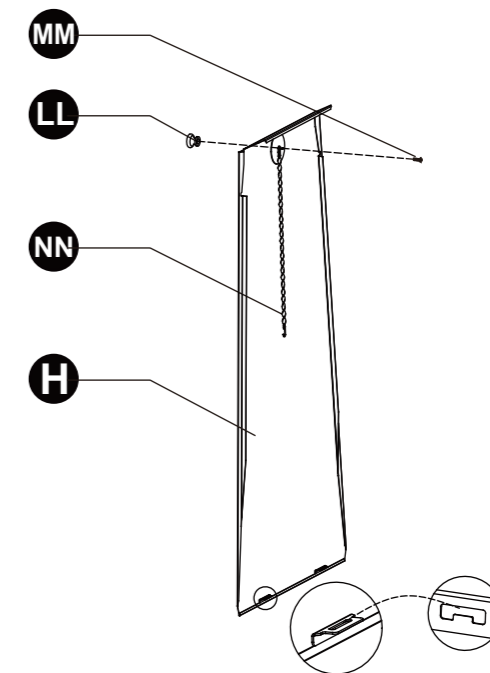
Hardware Used:

LL Knob  x 1

MM Screw M4 X 10  x 1

NN Chain  x 1

KK Philips screwdriver  x 1



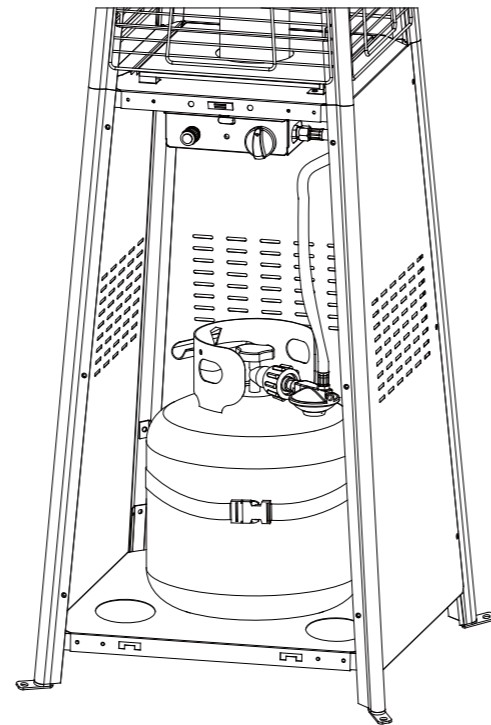
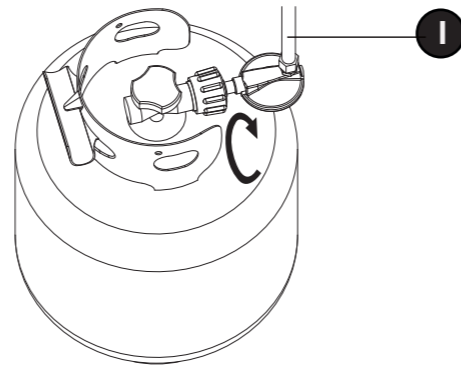
Install the knob to M4x10 screw. Hang the chain to the hole on the control box assy and put the pothook of front panel to the holes of bottom plate.

10.

Screw gas hose and regulator to propane cylinder (not included). Do not cross-thread.

Use a standard 20 lb. propane cylinder only. (approximately 12.2 in. / 31cm. in diameter and 17.9 in. / 45.5cm high).

Use this heater only with a propane vapor withdrawal supply system. See chapter 5 of the standard for storage and handling of liquefied petroleum gas, ANS/NFPA 58. Your local library or fire department should have this book. Storage of an appliance indoors is permissible only if the cylinder is disconnected and removed from the appliance. A cylinder must be stored outdoors in a well-ventilated area out of the reach of children. A disconnected cylinder must have dust caps tightly installed and must not be stored in a building, garage or any other enclosed area. The maximum inlet gas supply pressure: 250 psi /1750 kPa. The minimum inlet gas supply pressure: 5 psi /35kPa. Manifold pressure with regulator provided: 11 inch W.C/ 2.74 kPa. The minimum hourly of 17000 Btu /4.98 kW is required input rating for an appliance for automatic operation at ratings less than full input rating. The pressure regulator and hose assembly supplied with the appliance must be used. The installation must conform with local codes, or in the absence of local codes,with national fuel gas code, ANS Z223.1/NFPA54, natural gas and propane Installation Code, CSA B149.1, or propane storage and handling code, B149.2.


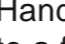



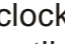
11.

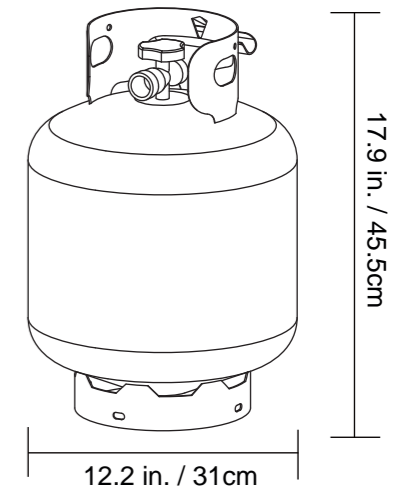
A dented, rusted or damaged propane cylinder may be hazardous and should be checked by your cylinder supplier. Never use a propane cylinder with a damaged valve connection.

The propane cylinder must be constructed and marked in accordance with the specifications for LP gas cylinders of the U.S. Department of Transportation (DOT) or the standard for cylinders, spheres and tubes for transportation of dangerous goods and commission, CAN/CSA-B339.

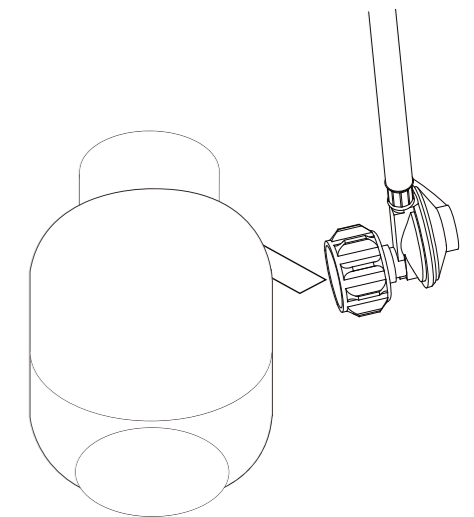
The cylinder must have a listed overfilling prevention device. The cylinder must have a connection device compatible with the connection for the appliance. The cylinder used must include a collar to protect the cylinder valve. Never connect an unregulated propane cylinder to the heater.

The knob on the LP tank must be closed. Make sure that the knob is turned  clockwise to a full stop. The cylinder supply system must be arranged for vapor withdrawal. Check that the control knob on the control unit is turned off. Hold the regulator in one hand and insert the nipple into the valve outlet. Be sure the nipple is centered in the valve outlet. The coupling nut connects to the large outside threads on the valve outlet. Hand-tighten the coupling nut  clockwise until it comes to a full stop. Firmly tighten by hand only.

To Disconnect: Fully close the tank valve by turning  clockwise. Turn the coupling nut  counterclockwise until the regulator assembly detaches.



Standard 20 lb. tank



- Do not store a spare LP-gas cylinder under or near this appliance;
- Never fill the cylinder beyond 80 percent full;
- Place the dust cap on the cylinder valve outlet whenever the cylinder is not in use. Only install the type of dust cap on the cylinder valve that is provided with the cylinder valve. Other type of caps or plugs may result in leakage of propane.

TROUBLE SHOOTING

Pilot won't light	Cylinder valve is closed	Open valve
	Blockage in orifice or pilot tube	Clean or replace orifice or pilot tube
	Air in gas line	Open gas line and bleed it (pressing control knob in) for not more than 1 - 2 minutes or until you smell gas
Note: Heater operates at reduced efficiency below 40°F (5°C)	Low gas pressure with cylinder valve fully open	Turn cylinder valve OFF and replace cylinder
	Igniter fails	Use match to light pilot; obtain new igniter and replace
Pilot won't stay lit	Dirt built up around pilot	Clean dirt from around pilot
	Connection between gas valve and pilot assembly is loose	Tighten connection and perform leak check
	Thermocouple is not operating correctly	Replace thermocouple
Burner won't light	Propane cylinder is frosted over	Wait until the propane cylinder warms up and becomes unfrosted
	Blockage in orifice	Clear blockage
	Control knob is not in ON position	Turn control knob to ON
Burner flame is low	Gas pressure is low	Turn cylinder valve OFF and replace cylinder
	Outdoor temperature is less than 40°F and tank is less than 1/4 full	Use a full cylinder
	Control knob fully ON	Check burner and orifices for blockage
Carbon build-up	Dirt or film on reflector and burner screen	Clean reflector and burner screen
Thick black smoke	Blockage in burner	Remove blockage and clean burner inside and outside

WARRANTY AND SERVICE

NOTE: RUST is not considered a manufacturing or materials defect.

OuterMust Limited Warranty:

Here at OuterMust we stand by our products, quality controls, and take pride in our customer service. Because of this, your new OuterMust product comes with a No-Hassle Limited Warranty. We warrant that our products will be free from defects in all materials and workmanship (excluding paint and finish) for the Warranty Coverage Period described. This warranty is extended only to the original consumer purchaser. During the Warranty Coverage Period, we will (at our sole option) replace any defective part or product covered by this warranty when provided with proof of purchase. The replacement will be without charge.

The limited warranty will not reimburse you for the cost of any inconvenience, food, personal injury or property damage. All warranty coverage is void if this appliance is ever used for commercial or rental purposes. And this limited warranty applies to the functionality of the product ONLY and does not cover cosmetic issues such as scratches, dents, corrosion or discoloring by heat, abrasive and chemical cleaners or any tools used in the assembly or installation of the appliance, surface rust, or the discoloration of stainless steel surfaces.

ITEMS NOT COVERED IN THE WARRANTY SERVICE

- Any failures or operating difficulties due to accident, abuse, misuse, alteration, misapplication, vandalism, improper installation or improper maintenance or service, or failure to perform normal and routine maintenance, including but not limited to damage caused by insects within the burner tubes, as set out in the owner's manual.
- Deterioration or damage due to severe weather conditions such as hail, hurricanes, earthquakes or tornadoes, discoloration due to exposure to chemicals either directly or in the atmosphere.
- Cost of service calls to your home.
- Costs of removal or re-installation.
- Pickup and delivery of your product.
- Shipping or transportation costs.
- Labor costs for installation and repair.
- Liability for indirect, or consequential damages.

Any warranties implied by law shall in no event extend beyond duration of this express warranty. Some States do not allow limitations on how long an implied warranty lasts, so the above limitation may not apply to you. Repair or replacement as provided herein is your exclusive remedy for any defective product. In no event shall we be liable for any special, incidental or consequential damages of any kind arising out of the purchase or use of this product, whether based upon contract, tort, statute or otherwise. Some states do not allow the exclusion or limitation of incidental or consequential damages, so the above limitation or exclusion may not apply to you. This warranty gives you specific legal rights, and you may also have other rights which vary from State to State.

Because OuterMust cannot control the quality of products sold by unauthorized sellers, this limited warranty applies only to Products that were purchased from OuterMust or a OuterMust authorized seller in the United States, unless otherwise prohibited by law. OuterMust reserves the right to reject warranty claims from purchasers for Products purchased from unauthorized sellers, including unauthorized Internet sites. Please keep all original sales receipts from the authorized dealer. Proof of purchase is required to obtain warranty services. Any parts or products returned without written authorization will be discarded without notice.

If you have any questions, please contact us at: Service@outermust.com

GARANTÍA Y SERVICIO

NOTA: El óxido no se considera un defecto de fabricación o de materiales.

Garantía Limitada de OuterMust:

Aquí en OuterMust respaldamos nuestros productos, controles de calidad y nos enorgullecemos de nuestro servicio al cliente. Por esta razón, su nuevo producto OuterMust cuenta con una Garantía Limitada Sin Problemas. Garantizamos que nuestros productos estarán libres de defectos en todos los materiales y mano de obra (excluyendo pintura y acabado) durante el Período de Cobertura de la Garantía descrito. Esta garantía se extiende únicamente al comprador original. Durante el Período de Cobertura de la Garantía, reemplazaremos cualquier pieza o producto defectuoso cubierto por esta garantía cuando se presente una prueba de compra. El reemplazo será sin cargo.

La garantía limitada no le reembolsará por el costo de cualquier inconveniente, alimentos, lesiones personales o daños a la propiedad. Toda la cobertura de garantía quedará anulada si este aparato se utiliza alguna vez con fines comerciales o de alquiler. Esta garantía limitada se aplica únicamente a la funcionalidad del producto y no cubre problemas estéticos como arañazos, abolladuras, corrosión o decoloración causada por el calor, limpiadores abrasivos y químicos o cualquier herramienta utilizada en el montaje o instalación del aparato, oxidación superficial o decoloración de superficies de acero inoxidable.

ELEMENTOS NO CUBIERTOS POR EL SERVICIO DE GARANTÍA

- Cualquier fallo o dificultad de funcionamiento debido a accidentes, abuso, uso indebido, alteración, uso inapropiado, vandalismo, instalación incorrecta o mantenimiento o servicio inadecuado, o el incumplimiento del mantenimiento normal y rutinario, incluido, entre otros, el daño causado por insectos dentro de los tubos de quemadores, tal como se indica en el manual del propietario.
- Deterioro o daño debido a condiciones climáticas severas como granizo, huracanes, terremotos o tornados, decoloración debido a la exposición a productos químicos directamente o en la atmósfera.
- Costos de visitas de servicio a su hogar.
- Costos de desmontaje o reinstalación.
- Recogida y entrega de su producto.
- Costos de envío o transporte.
- Costos de mano de obra para instalación y reparación.
- Responsabilidad por daños indirectos o consecuentes.

Cualquier garantía implícita por la ley no se extenderá más allá de la duración de esta garantía expresa. Algunos estados no permiten limitaciones sobre la duración de una garantía implícita, por lo que la limitación anterior puede no aplicarse a usted. La reparación o el reemplazo según lo proporcionado aquí es su único recurso exclusivo para cualquier producto defectuoso. En ningún caso seremos responsables por daños especiales, incidentales o consecuentes de cualquier tipo derivados de la compra o uso de este producto, ya sea basados en contrato, agravio, estatuto o de otro modo. Algunos estados no permiten la exclusión o limitación de daños incidentales o consecuentes, por lo que la limitación o exclusión anterior puede no aplicarse a usted. Esta garantía le otorga derechos legales específicos, y también puede tener otros derechos que varían según el estado.

Debido a que OuterMust no puede controlar la calidad de los productos vendidos por vendedores no autorizados, esta garantía limitada se aplica solo a los productos que fueron adquiridos de OuterMust o un vendedor autorizado de OuterMust en los Estados Unidos, a menos que lo prohíba la ley. OuterMust se reserva el derecho de rechazar reclamaciones de garantía de compradores de productos adquiridos a vendedores no autorizados, incluidos sitios web no autorizados de Internet. Guarde todos los recibos de venta originales del distribuidor autorizado. Se requiere comprobante de compra para obtener servicios de garantía. Cualquier pieza o producto devuelto sin autorización por escrito será desechado sin previo aviso.



Si tiene alguna pregunta, por favor contáctenos a: Service@outermust.com