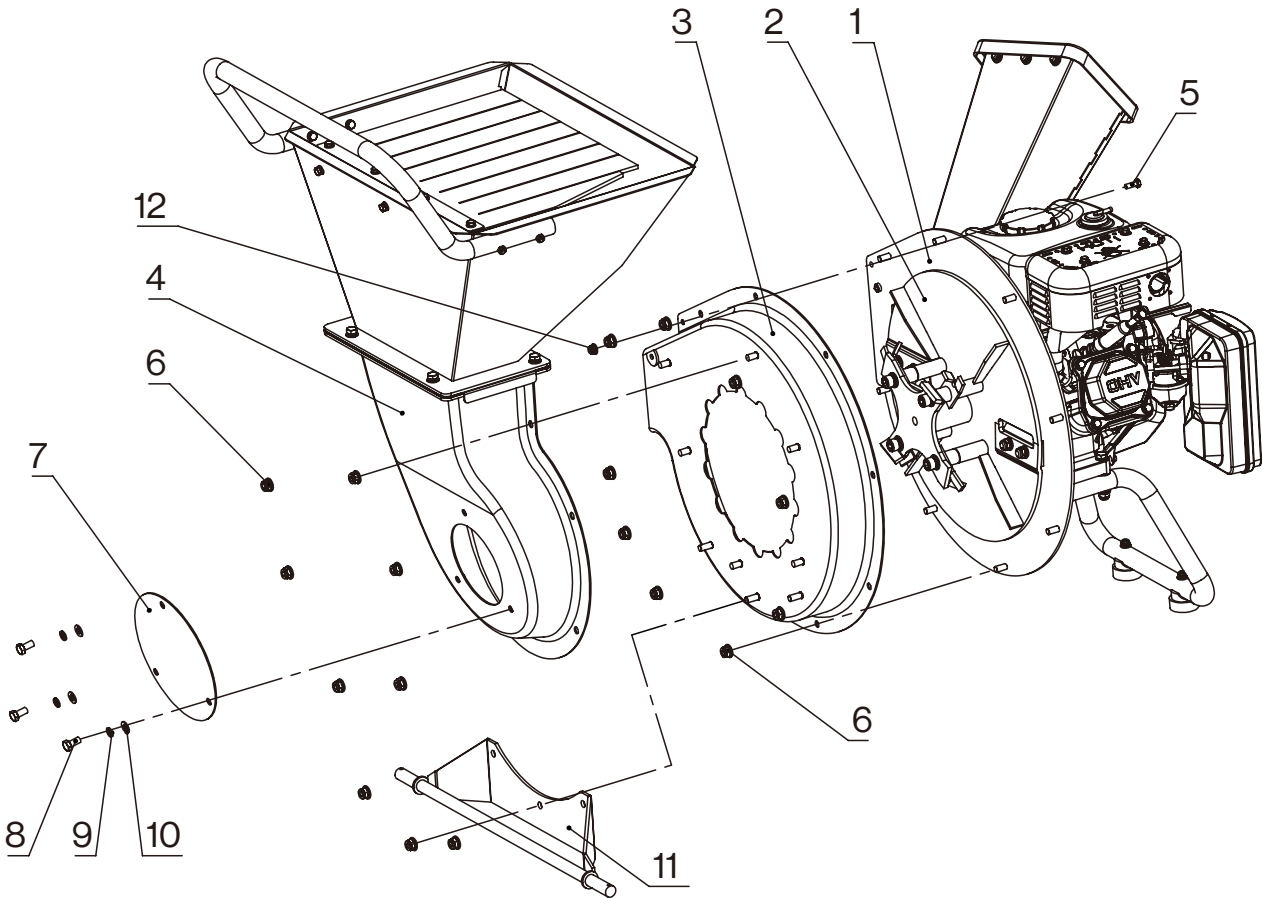


# PARTS BREAKDOWN - CHIPPER HOUSING GROUP

Part No.	Description	Q'ty	Part No.	Description	Q'ty
1	Engine Plate	1	7	Vacuum Inlet Cover	1
2	Rotor Assembly Kit	1	8	Hex Bolt M8x16	3
3	Rotor House	1	9	Spring Washer	3
4	Chipper Back Cover	1	10	Washer	3
5	Hex Bolt M6x16	1	11	Wheel Rack	1
6	Flange Nut M8	18	12	Flage Nut M6	1



## WARRANTY

### Limited 3 Years Warranty

1. The manufacturer warrants this chipper shredder against defects in material and craftsmanship, for a period of 36 months from date of original purchase, but not including engine mounted on the product.
2. This warranty excludes parts that are worn or damaged due to normal wear, such as bearings, wheels, tires, Y hammers, chipper knives, routine maintenance items such as O-rings, seals, and lubricants, accessory parts such as collection bag etc.
3. Manufacturer's liability is limited to replacement or repair of defective material within the warranty period, when returned freight prepaid to the distributor or their designated servicedepot.
4. The warranty does not cover damage caused by accident, misuse or faulty installation.
5. The chipper shredder must be installed and maintained in compliance with the instructions.