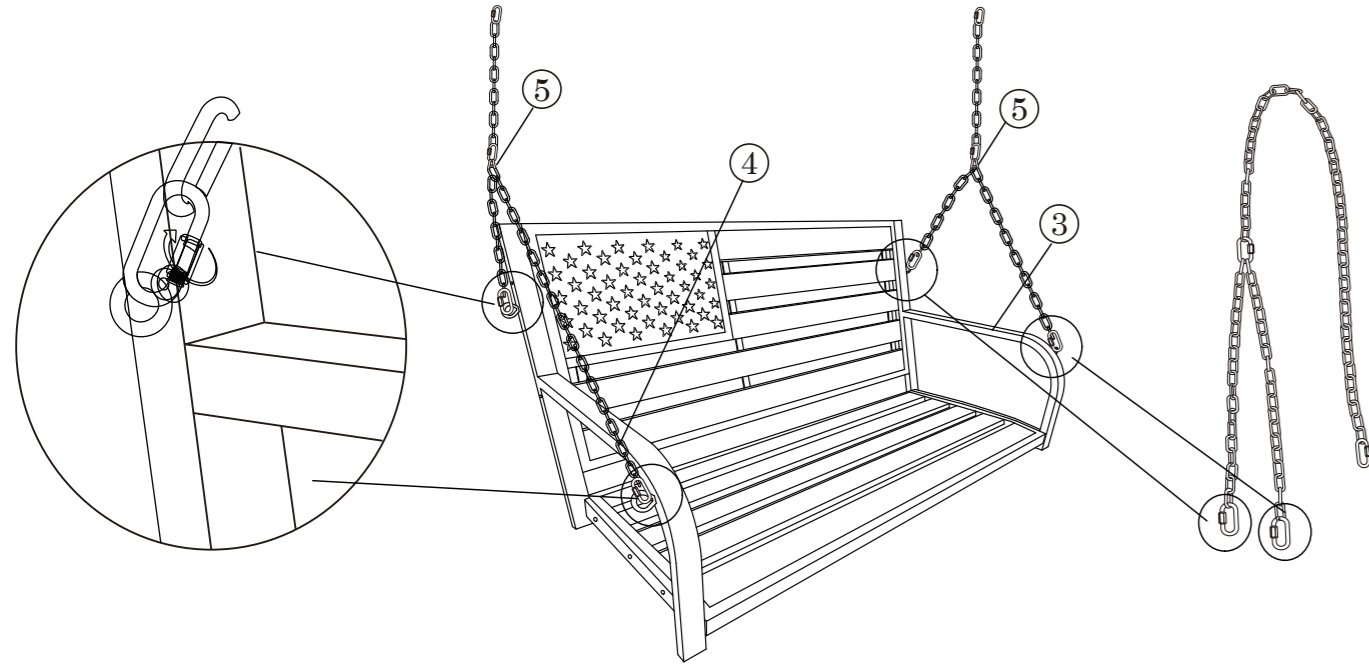


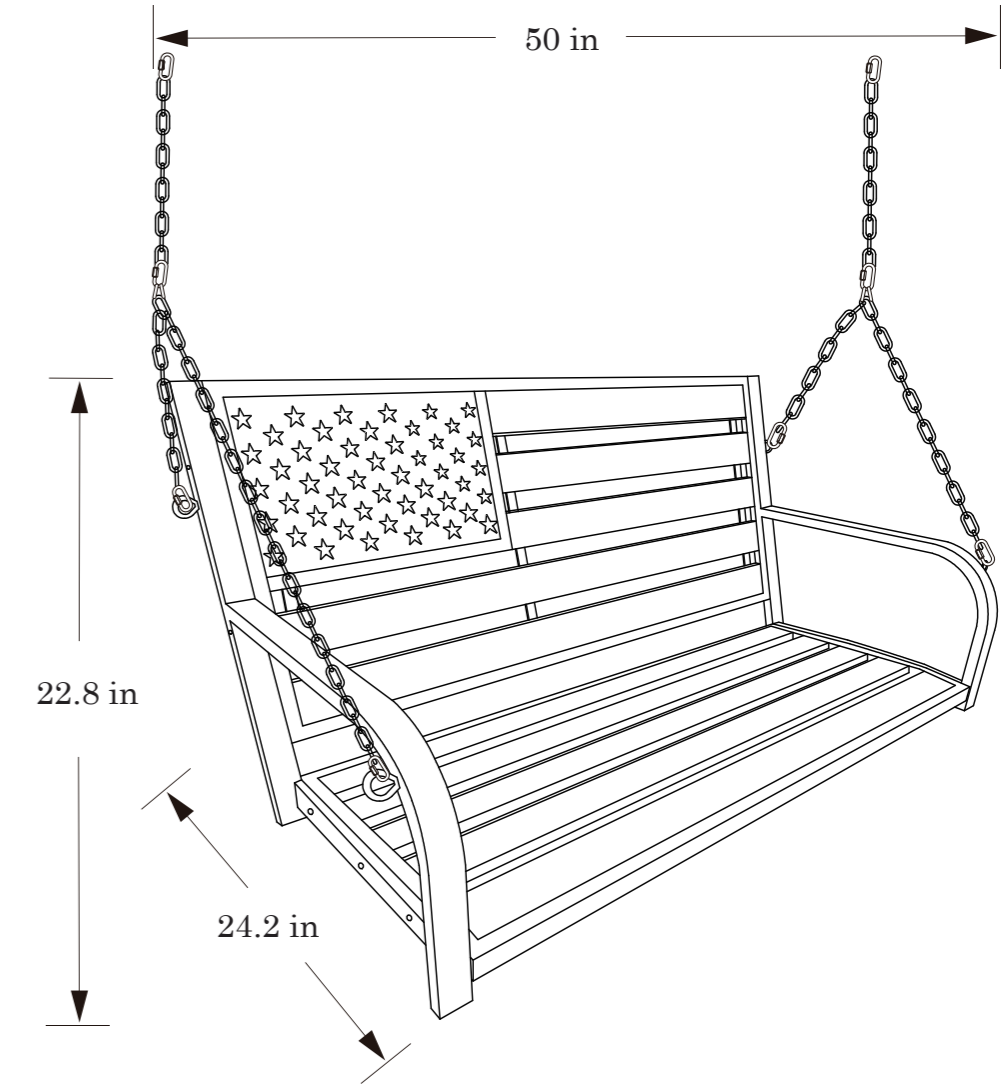
Step 3



⑤ 2 sets of chain



Please read instructions carefully before use. Retain for future reference.  
**CAUTION: Pinch Point, please keep hands clear from moving parts.**

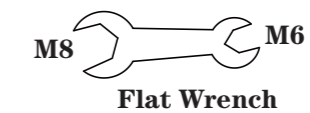


Distributed by:  
 TRACTOR SUPPLY COMPANY  
 5401 VIRGINIA WAY  
 BRENTWOOD, TN 37027  
 For customer support,  
 call: 1-888-376-9601  
 www.TractorSupply.com

Assembled Dimensions

Approximate assembly time: <b>20 Minutes</b>	People for assembly:	Required assembly space: Floor area 9 ft. x 9 ft. (3 m x 3 m)
--	----------------------	--

Required assembly tools (included):



**CAUTION:**  
Hand tools only, use of  
power tools could damage product.

## TIPS BEFORE YOU START

- \* Ensure that all parts are present prior to assembly.
- \* Check all packing material carefully before discarding, as some parts may be encased in the packing material.
- \* For ease and speed of assembly, it is recommended that all required parts be identified prior to each step.
- \* Ensure that you have sufficient space and the number of people (as indicated on page 1) to assemble the product safely.
- \* During assembly, take care not to over-tighten any fittings, as this may damage the product.

## CARE AND MAINTENANCE

- \* Always inspect the product for any obstructions during each use.
- \* The manufacturer will not accept responsibility for unauthorized repairs or modifications to this product.
- \* To clean, wash the frame and the fabric with mild soap and water; rinse thoroughly; dry the frame completely and allow the fabric to drip dry away from direct sunlight.
- \* Do not use bleach, acid, or other solvents on the fabric or frame parts.
- \* To prolong the life of your furniture, we recommend storing it in a dry area when not in use or during severe weather conditions.



### WARNING

#### \* Annually:

- \* Check all nuts and bolts for tightness each season, and more often if used frequently.
  - \* Oil all metal moving parts with a general - purpose lubricating oil to ensure proper performance and safety.
- \* Keep children away during assembly. This item contains small parts which can be swallowed by children. Children should always be under adult supervision while using this product.
- \* This product is for residential use only, not for commercial use.

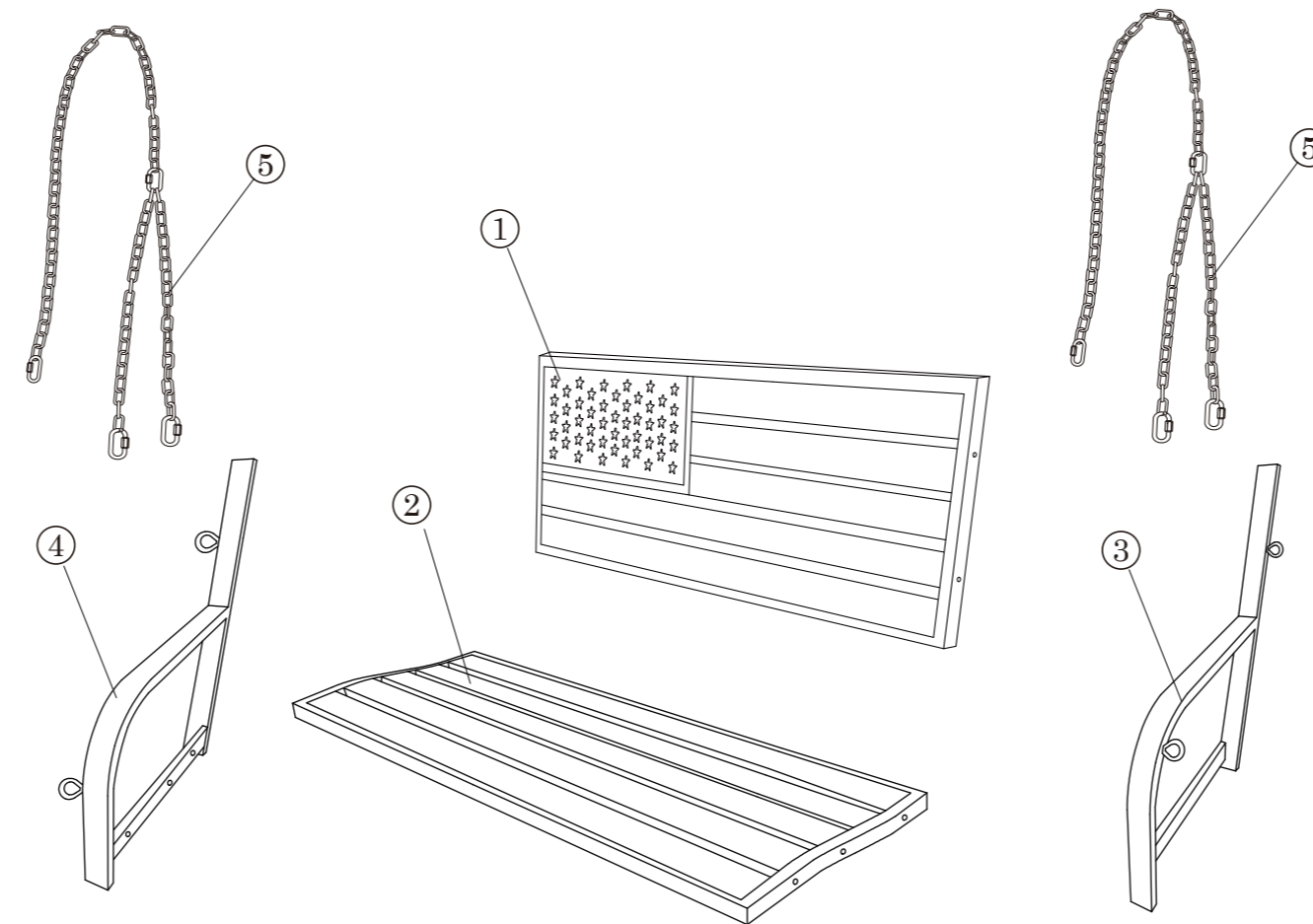


### WEIGHT LIMIT



Chair: 450 lbs (204.12 kg)

## PARTS LIST

NO.	Description	Quantity
①	Back	1
②	Seat	1
③	Left Armrest	1
④	Right Armrest	1
⑤	Chain	2

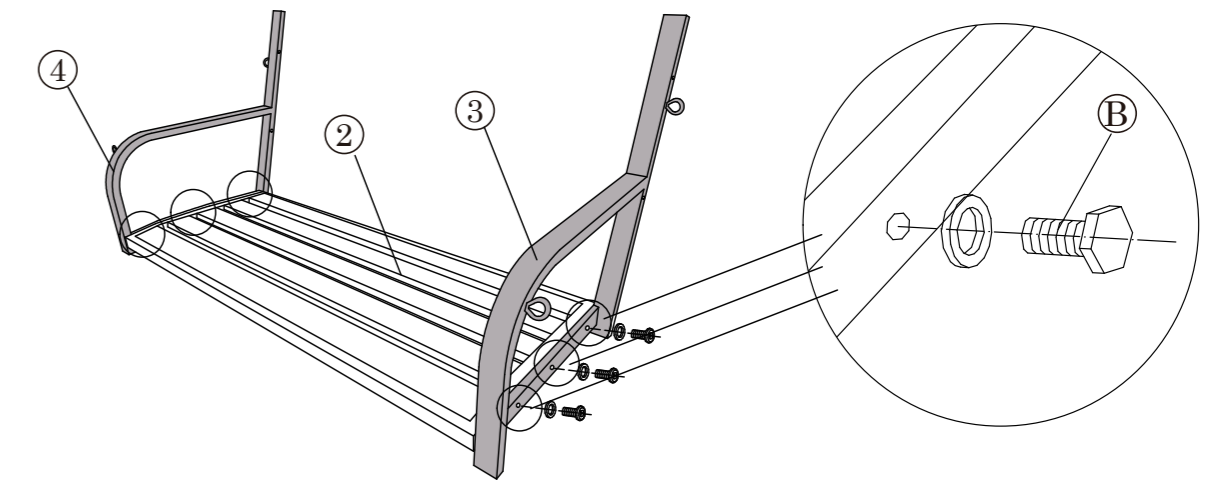


## HARDWARE LIST

Ⓐ	4 sets of M6 x 50 bolt 	Ⓑ	6 sets of M8 x 25 bolt 	+ 1 spare set
---	--	---	--	---------------

## ASSEMBLY INSTRUCTIONS

### Step 1

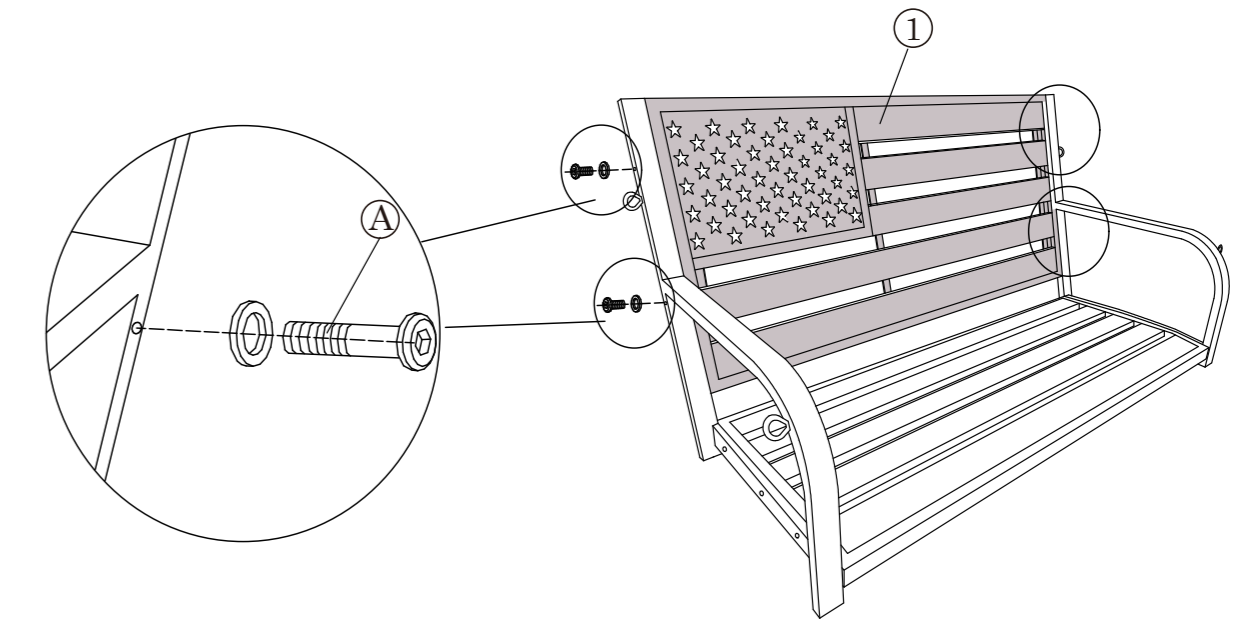


Don't fully tighten the bolts until step 2.

Ⓑ 6 sets of M8 x 25 bolt 


 M8 Flat Wrench M6

### Step 2



Fully tighten all the bolts once all the bolts in place!

Ⓐ 4 sets of M6 x 50 bolt 

 M8 Flat Wrench M6