



Distributed by:
TRACTOR SUPPLY COMPANY
5401 VIRGINA WAY
BRENTWOOD, TN 37027
For customer support,
call: 1-888-376-9601
www.TractorSupply.com

Assembled Dimensions

Approximate assembly time: 30 Minutes	People for assembly: 	Required assembly space: Floor area 8 ft. x 7 ft. (2.5 m x 2 m) 
--	--	--

Required assembly tools (included):

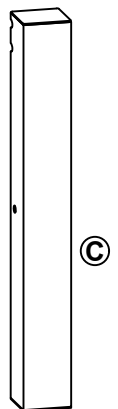
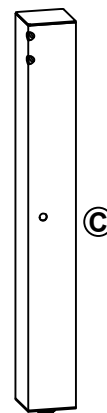
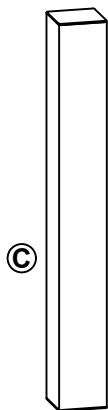
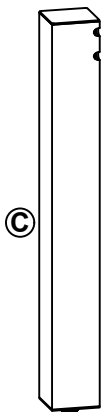
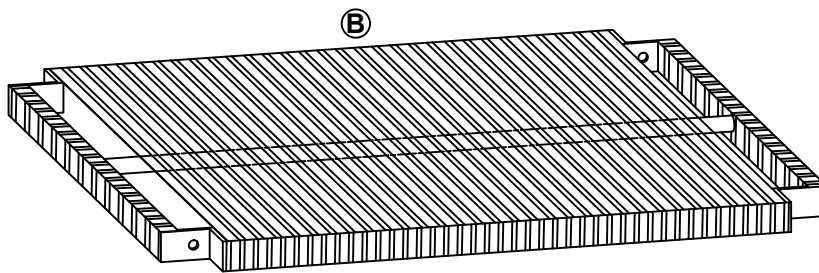
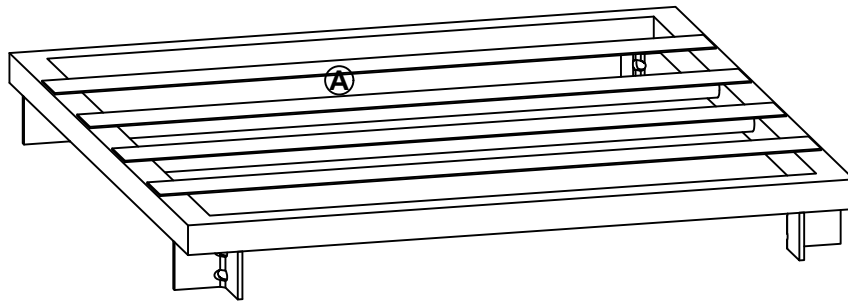
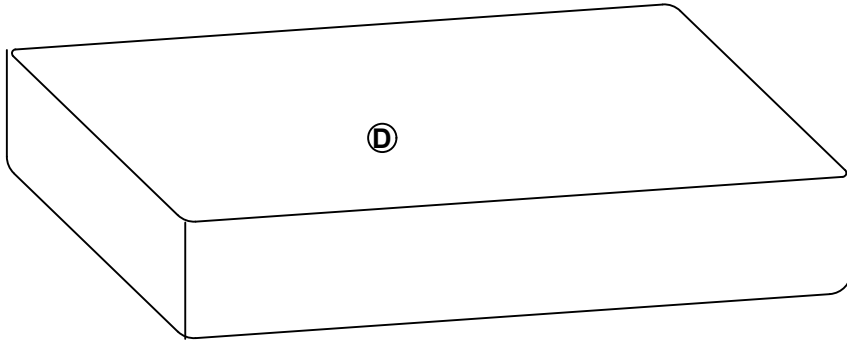


4# Hex wrench





**CAUTION: Hand tools only,
use of power tools
could damage product.**

PARTS LIST

NO.	Description	Quantity
Ⓐ	top frame	1
Ⓑ	Bottom box	1
Ⓒ	Legs	4
Ⓓ	Cushion	1



HARDWARE LIST

Ⓔ	12 pcs M6 washer + 1 spare pc	
Ⓕ	4pcs M6 x 15L bolt + 1 spare pc	
Ⓖ	8 pcs M6 x 25L bolt + 1 spare pc	
Ⓕ	1 pc 4# hex wrench	

TIPS BEFORE YOU START

- 1.Ensure that all parts are present prior to assembly.
- 2.Check all packing material carefully before discarding, as some parts may be encased in the packing material.
- 3.For ease and speed of assembly, it is recommended that prior to each step all required parts are identified.
- 4.Ensure that you have sufficient space and people (as indicated on page I) to assemble product safely.
- 5.During assembly take care not to over-tighten any fittings, as this may damage the product.

CARE AND MAINTENANCE

- Outdoor use.
- Periodically check all fittings and re-tighten as necessary.

WARNING

- Keep children at a safe distance to prevent accidents.
- Inspect visually before each use and ensure all hardware is properly tightened.
- Do not stand on chair seats or tabletop.
- This product should only be used on firm, level ground.

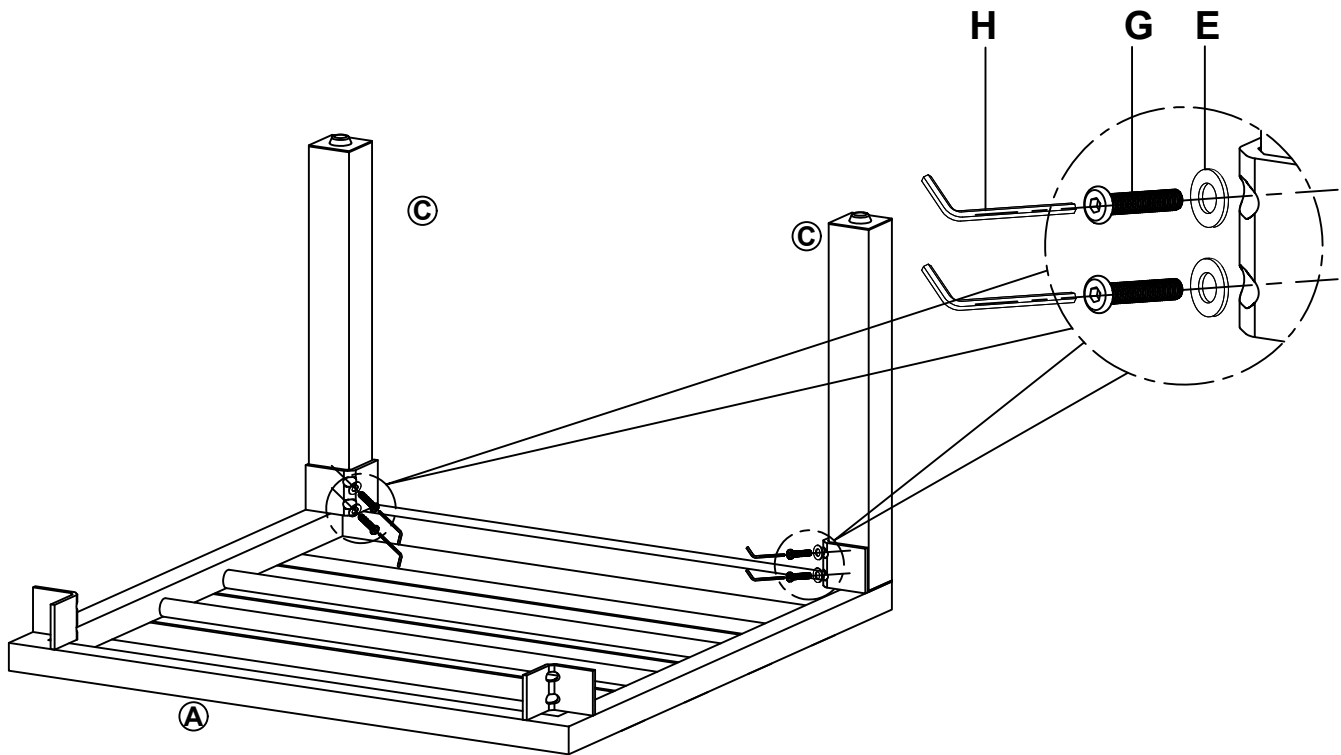
CAUTION: Pinch point. Please keep hands clear from moving parts.

WEIGHT LIMIT


Chair: 250lbs(131kgs)

ASSEMBLY INSTRUCTIONS

Step 1



Don't fully tighten the bolts until step 3.

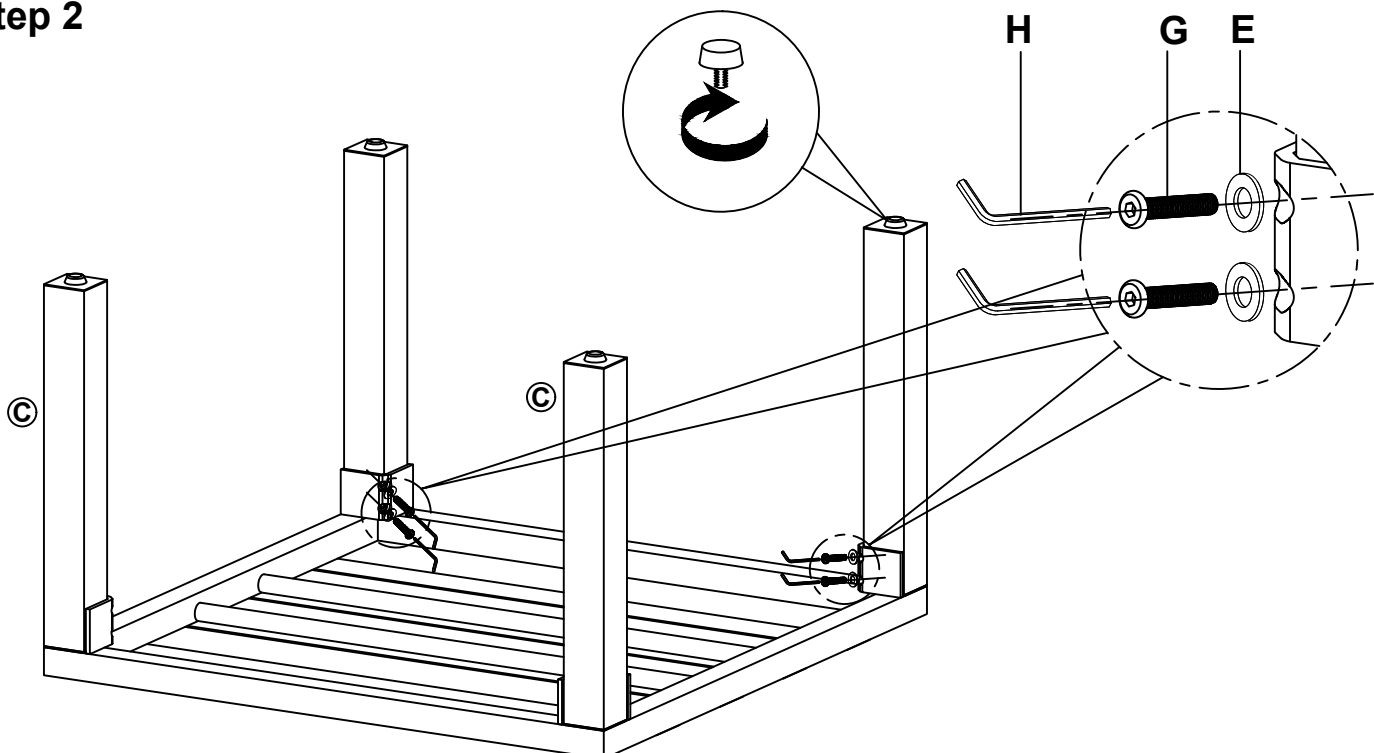
Ⓒ 4 pcs M6 x 25L bolt 

Ⓔ 4 pcs M6 washer 


Ⓗ 4# hex wrench



Step 2



Don't fully tighten the bolts until step 3.

Ⓒ 4 pcs M6 x 25L bolt 

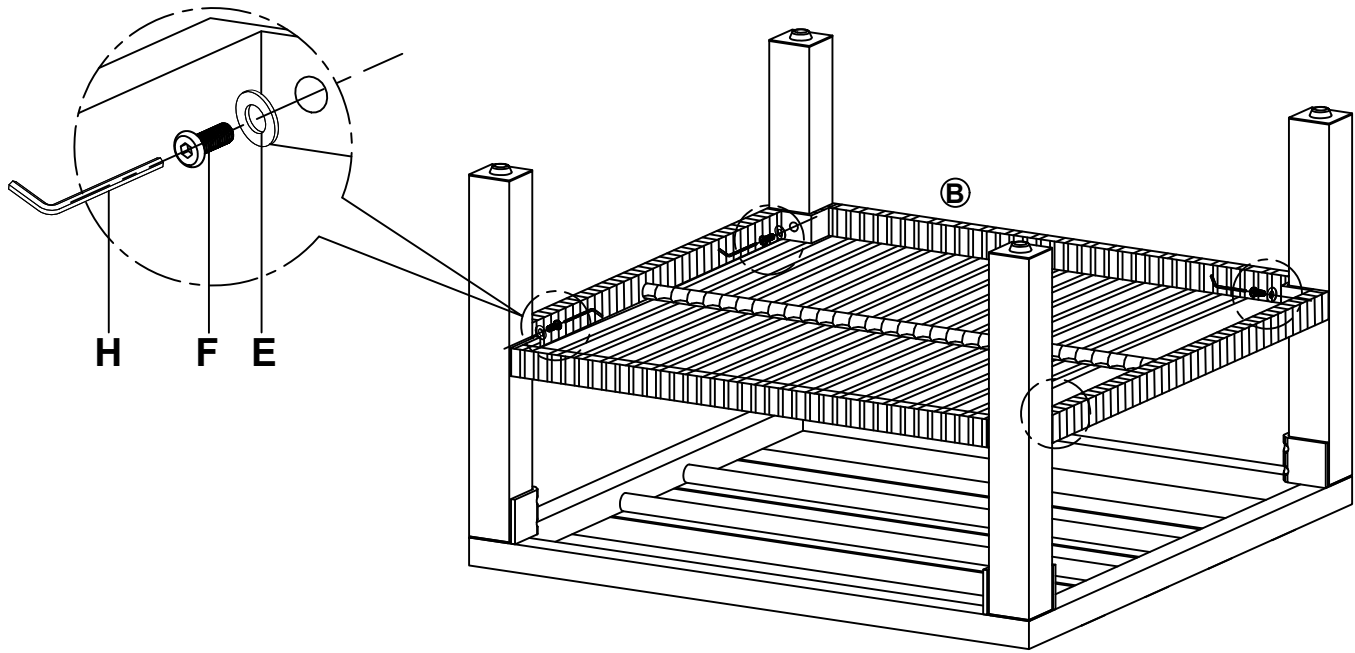
Ⓔ 4 pcs M6 washer 

Ⓗ 4# hex wrench



ASSEMBLY INSTRUCTIONS

Step 3



Fully tighten all the bolts once all the bolts are in place!

ⓕ 4 pcs M6 x 15L bolt

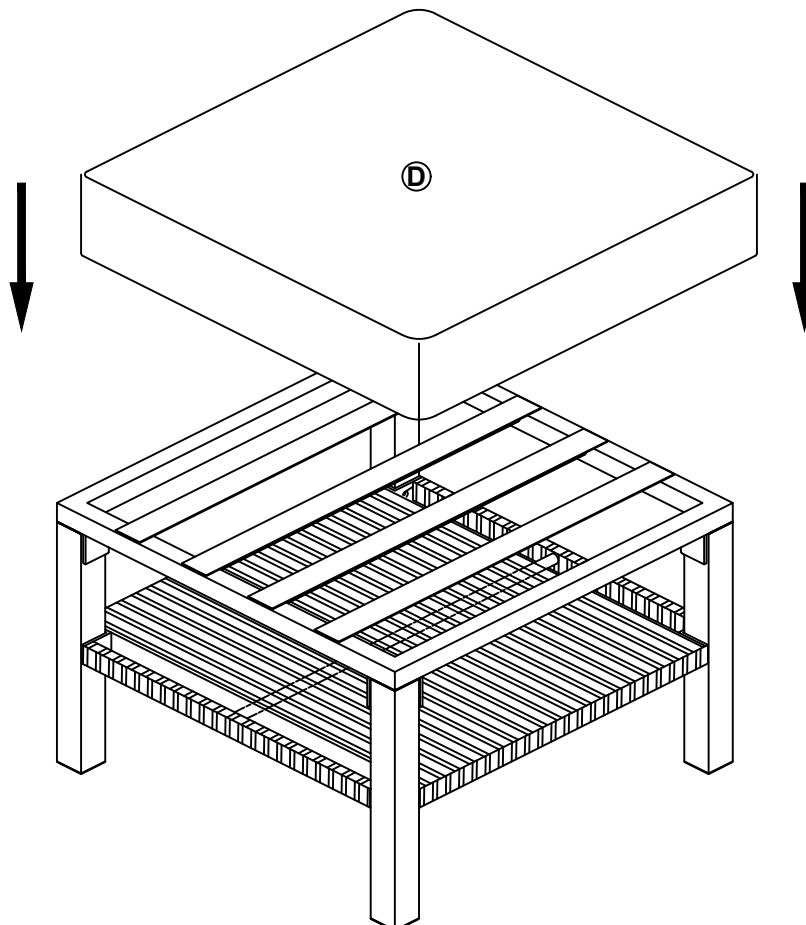


ⓗ 4# hex wrench

ⓔ 4 pcs M6 washer



Step 4



ASSEMBLY INSTRUCTIONS

Step 5

