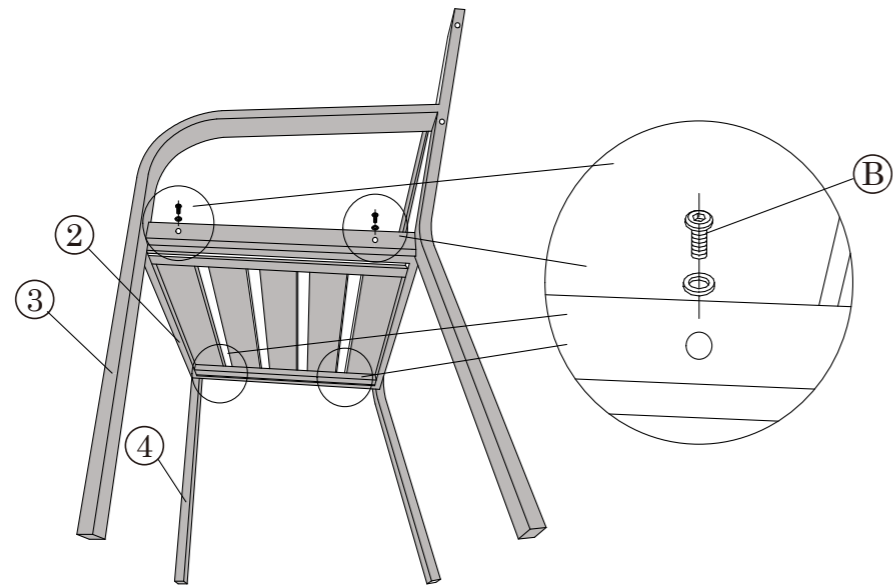


ASSEMBLY INSTRUCTIONS

Step 1



Don't fully tighten the bolts until step 2.

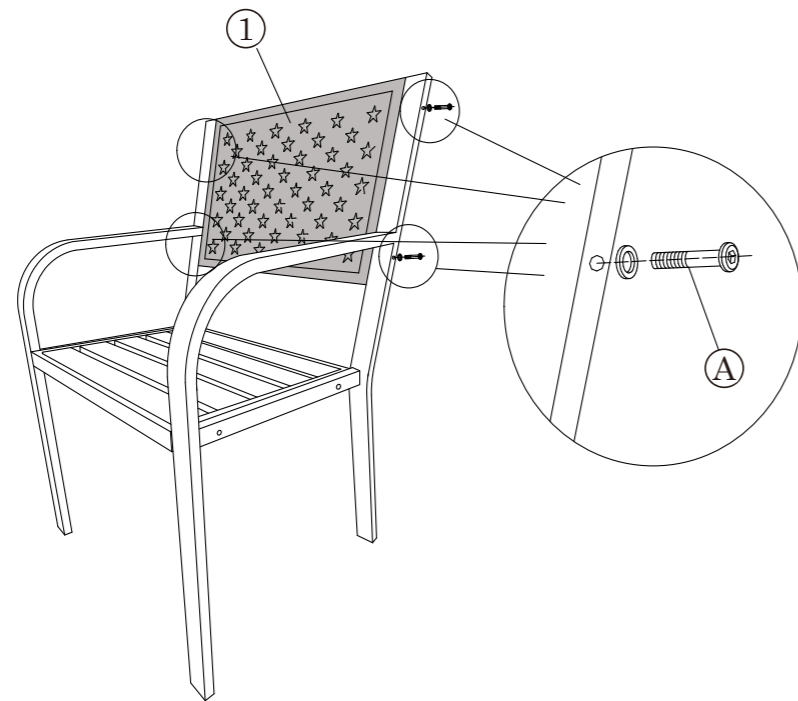
Ⓑ 4 sets of M6 x 25 bolt



Socket Wrench M6



Step 2



Fully tighten all the bolts once all the bolts in place!

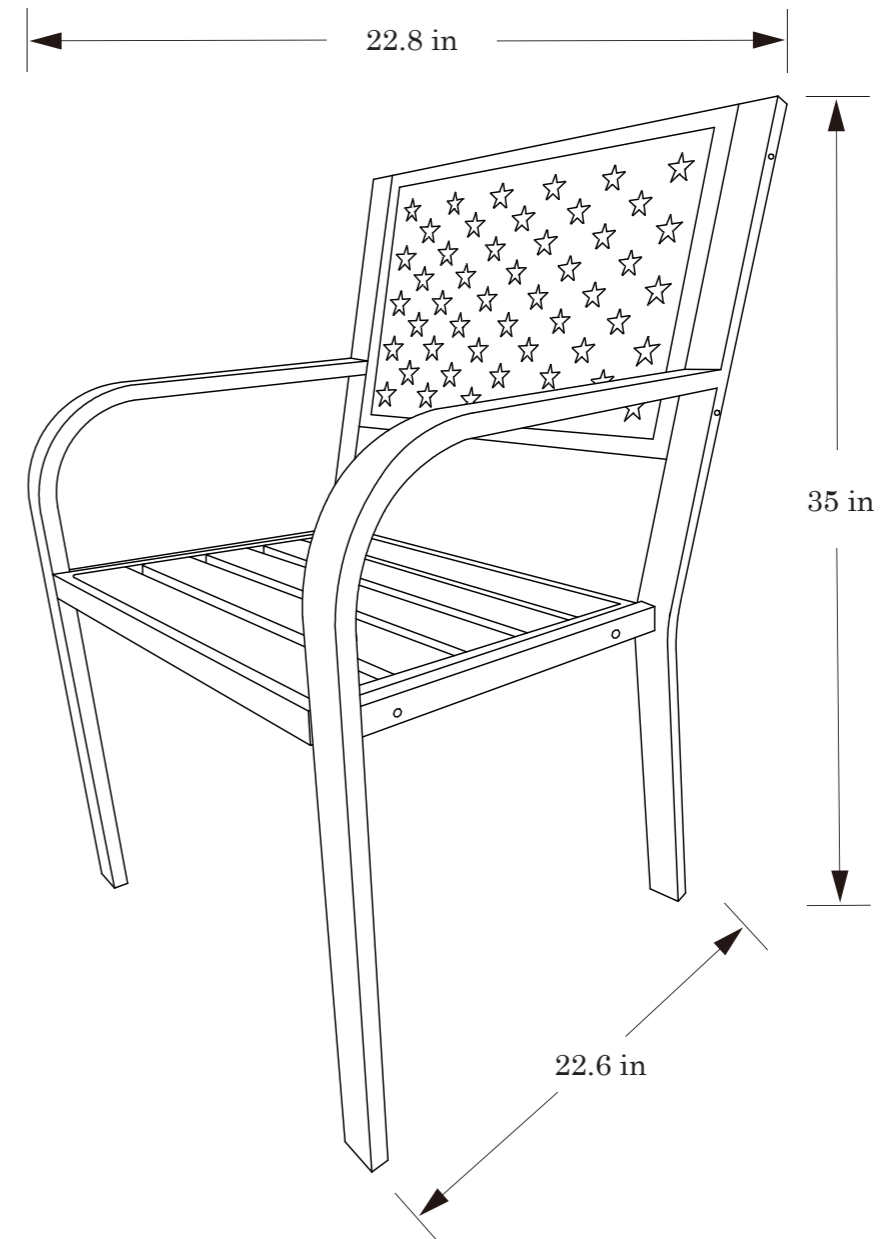
Ⓐ 4 sets of M6 x 50 bolt



Socket Wrench M6



Please read instructions carefully before use. Retain for future reference.
CAUTION: Pinch Point, please keep hands clear from moving parts.



Assembled Dimensions

Approximate assembly time: **10 Minutes**

People for assembly:

Required assembly space:
 Floor area 9 ft. x 9 ft. (3 m x 3 m)



Required assembly tools (included):

Socket Wrench M6

CAUTION:
 Hand tools only, use of
 power tools could damage product.

Distributed by:
 TRACTOR SUPPLY COMPANY
 5401 VIRGINIA WAY
 BRENTWOOD, TN 37027
 For customer support,
 call: 1-888-376-9601
 www.TractorSupply.com

TIPS BEFORE YOU START

- * Ensure that all parts are present prior to assembly.
- * Check all packing material carefully before discarding, as some parts may be encased in the packing material.
- * For ease and speed of assembly, it is recommended that all required parts be identified prior to each step.
- * Ensure that you have sufficient space and the number of people (as indicated on page 1) to assemble the product safely.
- * During assembly, take care not to over-tighten any fittings, as this may damage the product.

CARE AND MAINTENANCE

- * Always inspect the product for any obstructions during each use.
- * The manufacturer will not accept responsibility for unauthorized repairs or modifications to this product.
- * To clean, wash the frame and the fabric with mild soap and water; rinse thoroughly; dry the frame completely and allow the fabric to drip dry away from direct sunlight.
- * Do not use bleach, acid, or other solvents on the fabric or frame parts.
- * To prolong the life of your furniture, we recommend storing it in a dry area when not in use or during severe weather conditions.



WARNING

* Annually:

- * Check all nuts and bolts for tightness each season, and more often if used frequently.
- * Oil all metal moving parts with a general - purpose lubricating oil to ensure proper performance and safety.
- * Keep children away during assembly. This item contains small parts which can be swallowed by children. Children should always be under adult supervision while using this product.
- * This product is for residential use only, not for commercial use.

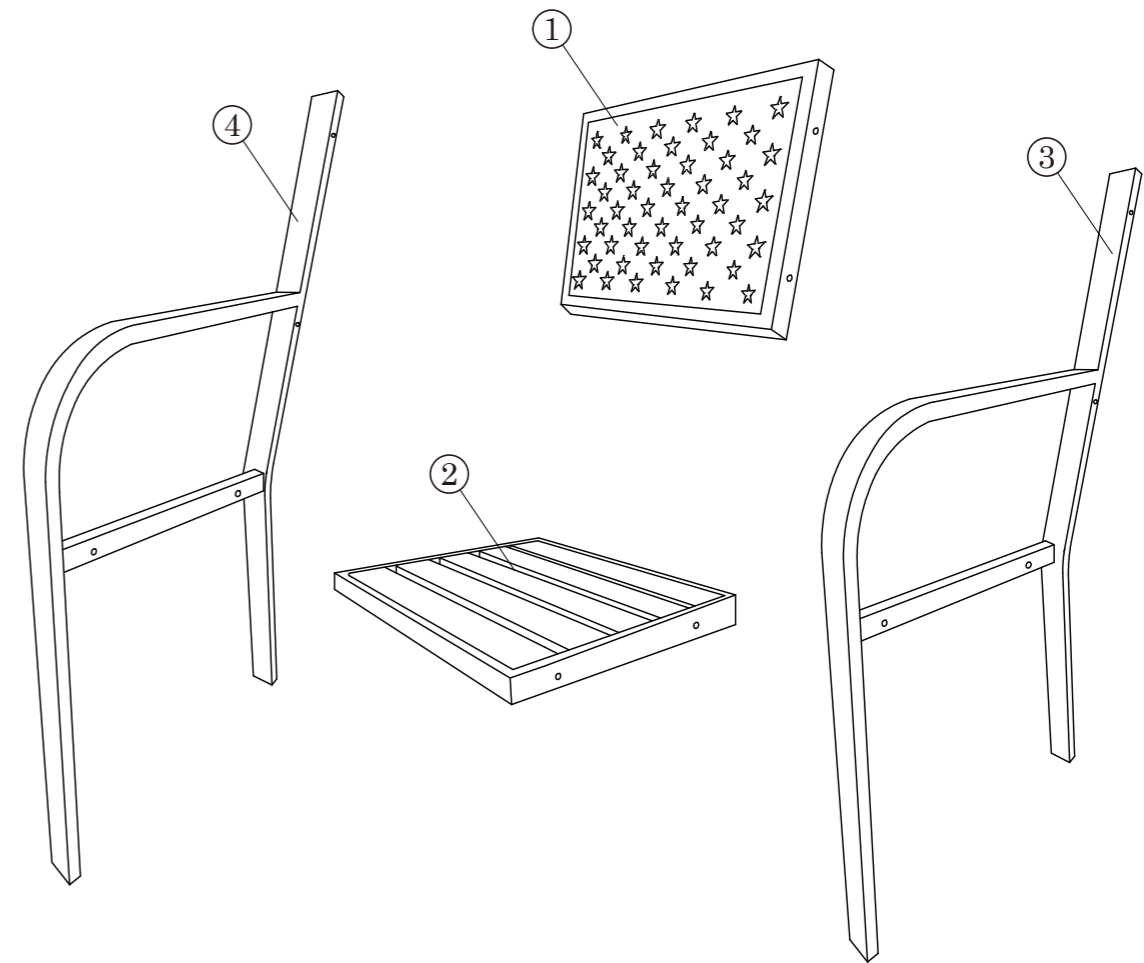


WEIGHT LIMIT

Chair: 225 lbs (102.06 kg)

PARTS LIST

NO.	Description	Quantity
①	Back	1
②	Seat	1
③	Left Armrest	1
④	Right Armrest	1



HARDWARE LIST

Ⓐ	4 sets of M6 x 50 bolt + 1 spare set		Ⓑ	4 sets of M6 x 25 bolt + 1 spare set	
---	--------------------------------------	--	---	--------------------------------------	--