

210 mm

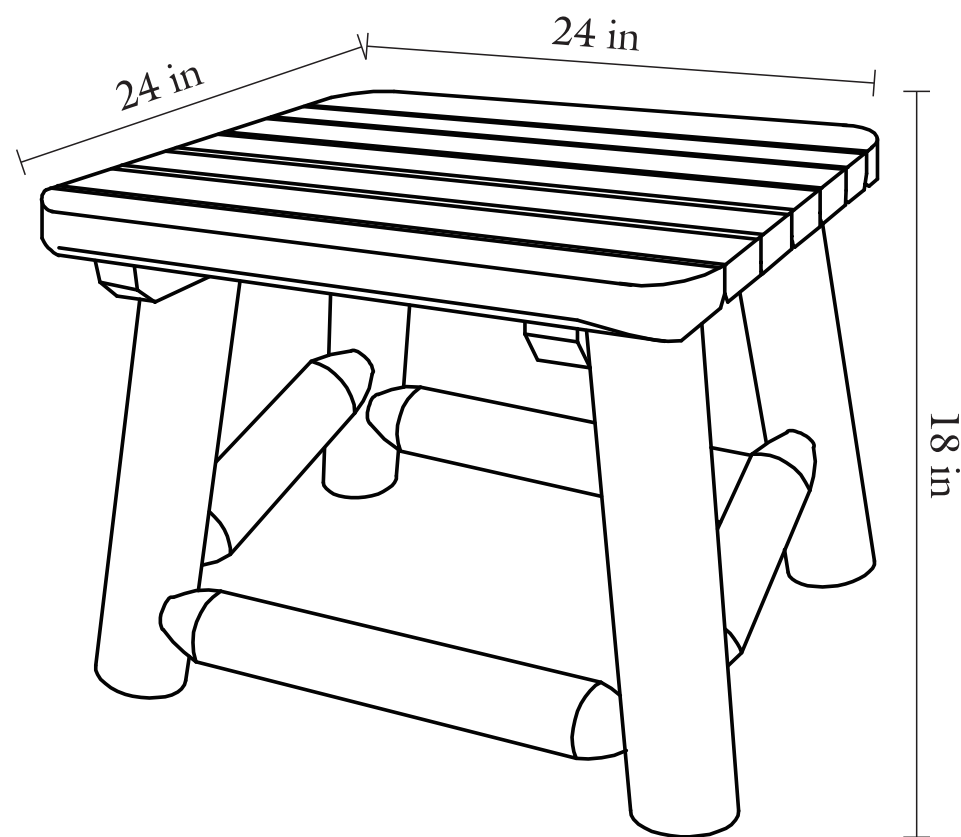


24IN LOG TABLE WHITE

INSTRUCTION MANUAL

SKU #6030437

WARNING: Some pieces have been pre-split to prevent further cracking from the natural swelling and shrinking that occurs with changes in the weather.



Note: Do not tighten all screws until last step

Distributed by:
TRACTOR SUPPLY COMPANY
5401 VIRGINIA WAY
BRENTWOOD, TN 37027
For customer support,
call: 1-888-376-9601
www.TractorSupply.com

Approximate assembly time: **20 Minutes**

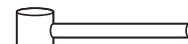
People for assembly:



Required assembly space:
Floor area 4.5ft. x 4.5ft. (1.5m x 1.5m)

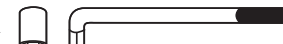


Required assembly tools (Not included):

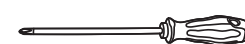


Rubber mallet

13mm



Hex key

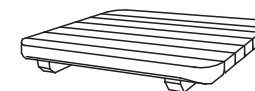


Screwdriver

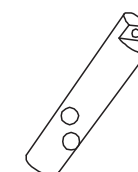
CAUTION: Hand tools only, use of power tools could damage product.

PARTS LIST

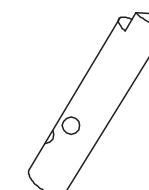
A (1pc)



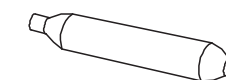
B (2pcs)



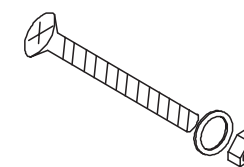
C (2pcs)



D (4pcs)

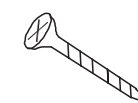


E (4sets)



8X75mm

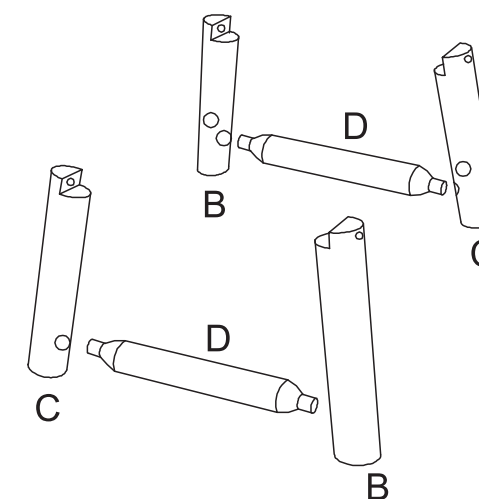
F (8pcs)



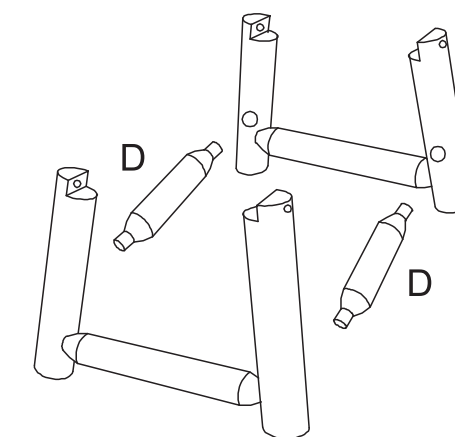
4X45mm

ASSEMBLY INSTRUCTIONS

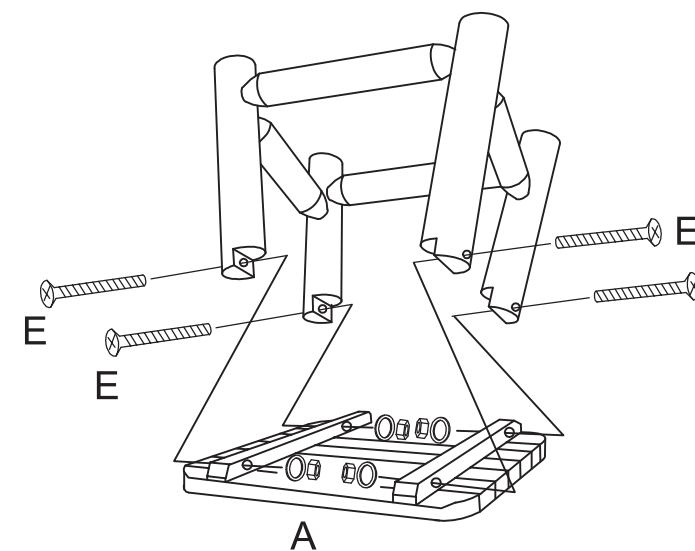
Step 1



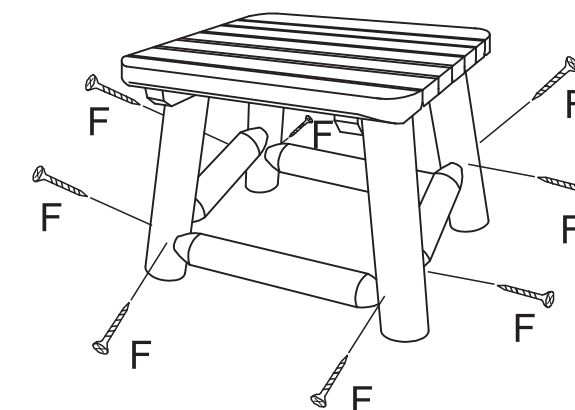
Step 2



Step 3



Step 4



285 mm