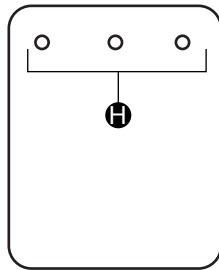
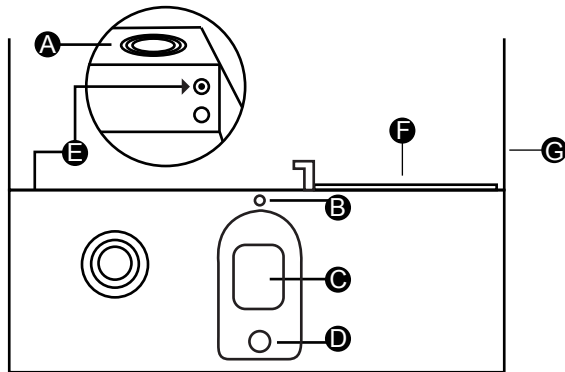




# User Manual For Portable Biometric Compact Lock Box

## PARTS OF THE LOCK BOX



### Parts of the Lock Box

- A. Key Entry
- B. Indicator Light
- C. Fingerprint Scanner
- D. Wake Up Button
- E. Initialization Button
- F. Battery Compartment and Cover
- G. Cable Slot
- H. Mounting Holes (located under the lock box)

### WARNING

Avoid leaving lock box open and unattended; it will allow unauthorized individuals to add their fingerprint and/or reprogram the lock box, gaining full access to the lock box and the contents.

Take care not to drop or abuse the lock box. This lock box will stay locked when abused, but the biometric locking mechanism is sensitive and may not reliably re-lock after rough treatment. Be sure to check that it reliably locks, if it has been dropped or abused. Abuse will void warranty.

## OPENING THE LOCK BOX WITH ACCESS KEY

1. Insert access key into key entry (A), turn clockwise to open, partially lift lid of lock box and remove access key by turning it counter clockwise
2. Open lock box by lifting the lid of the lock box

## CLOSING/LOCKING THE LOCK BOX

Press the top cover down to close the lock box and confirm that it is locked by trying to open it.

NOTE: Barska will not provide replacement keys, please store the keys in secure place, not inside the safe.

## BATTERIES

1. Locate the battery compartment (F) and remove battery cover
2. Gently slide battery holder out of the compartment
3. Place 4, AA batteries and pay attention to the polarity of each battery. Lock Box will beep and Indicator Light will illuminate, if batteries were inserted properly.
4. Gently slide battery holder back into place
5. Replace battery cover (F)

## REPLACING BATTERIES

The red indicator light (B) will start flashing and a continuous beeping sound will be heard. This indicates that the batteries are low.

1. Open lock box by using the access key; turn clockwise
2. Repeat steps 1-5 of "Batteries" and replace old batteries with new batteries
3. Close lock box and ensure that the lock box is locked

NOTE: After replacing the batteries lock box retains registered fingerprints

## REGISTERING A FINGERPRINT

The lock box is in demo mode, ANY fingerprint can open the lock box. You must successfully register and save at least one fingerprint to take the lock box out of demo mode

1. With the lock box open press and release the small recessed initialization button (E) in the small hole in the inside wall.
2. A beep will be heard and fingerprint scanner (C) will flash red
3. Immediately place desired finger on the fingerprint scanner (C)
  - Hold finger still, until registration process is complete
4. The registration process is complete when a total of three beeps are heard. See below

### Successful Save

- Indicator light (B) will flash GREEN, followed by one beep, indicator light (B) will flash GREEN twice and two consecutive beeps
- Registration has been successful

### Unsuccessful Save

- Indicator light (B) will flash GREEN, followed by one beep, indicator light (B) will flash RED and two consecutive beeps
- Repeat registration process again

### NOTE

- To add more fingerprints/users repeat steps above
- Stores up to 120 fingerprints
- For security purposes wipe fingerprint off fingerprint scanner (C)

For Accurate and Consistent Fingerprint Scanning

- Use fingerprint scanner (C) in low light conditions
- Use the index finger
- Place and hold finger firmly on the fingerprint scanner (C)
- Each user should register 2-3 different fingerprints

## TESTING THE REGISTERING OF A FINGERPRINT

1. With lock box lid open, press the wake up button (D)
2. Place registered finger on the fingerprint scanner (C)

### Successfully Registered Fingerprint

- Indicator light (B) will flash green indicating a valid fingerprint
- You will hear the lock box unlock

### Unsuccessfully Registered Fingerprint

- Indicator light (B) will flash red and green consecutively indicating that the fingerprint is not valid
- Repeat steps in "Registering A Fingerprint"

4. Close lock box and ensure that the lock box is locked
5. For security purposes wipe fingerprint off fingerprint scanner (C)

## OPENING THE LOCK BOX USING A FINGERPRINT

1. Press the wake up button (D)
2. Place registered finger on the fingerprint scanner (C)
3. The indicator light (B) will flash green indicating a valid fingerprint
4. Gently lift the door of the lock box
5. Close lock box and ensure that the lock box is locked
6. For security purposes wipe fingerprint off fingerprint scanner (C)

## DELETING ALL FINGERPRINTS

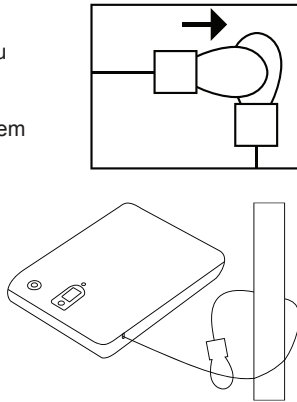
1. With the lock box open locate the battery compartment (F) and remove battery cover
2. Gently slide battery holder out of the compartment
3. Remove one AA battery from battery holder
4. Press wake up button (D) 8-12 times to release remaining electronic power to fully complete the deletion process
5. While still holding down the small Initialization Button (E), reinsert the battery. You will hear one beep when the battery is inserted, a pause, and then 2 beeps. You can now release the initialization button.
6. Gently slide battery holder back into place and replace battery cover (F)
7. All fingerprints stored in the lock box have been deleted.
8. The lock box is in demo mode, ANY fingerprint can open the lock box. Confirm you have been successful by testing that any fingerprint can open the lock box.

## INSTALLING THE CABLE

Included with the lock box is a steel cable that may be attached to any stationary item for increased security. The cable slot (G) is located on the side of the lock box.

### Installing the Cable

1. Locate the stationary item you would like the lock box to be attached to and wrap the cable around the stationary item
2. Thread one end of the cable through the other loop of the cable. The loop that was just created in this step should be wrapped around the stationary item
3. Open lock box by using the registered fingerprint or access key
4. Locate the cable slot (G)
5. Place the unused loop of the steel cable with the metal stopper portion in the lock box through the cable slot (G)
6. Close lock box and ensure that the lock box is locked
7. Slightly tug on the cable to ensure that the cable is securely attached to the lock box



### Removing the Cable

1. Open lock box by using a registered fingerprint or access key
2. Lift steel cable out of the cable slot (G)
3. Pull the one end of the cable through the other loop of the cable
4. Store cable in a safe place

## MOUNTING

The lock box may be mounted. The three pre-drilled mounting holes (H) are located under the lock box and can be exposed by gently removing the rubber pads out of its place. Mounting hardware not included.

1. Check location for concealed items such as wires, pipes etc
2. Get the appropriate anchors for the type of surface you will be mounting the lock box to (wood, tile, concrete etc)
3. Mark the surface to drill holes for the anchors you will be using
4. Drill the appropriate size hole for the anchors you will be using
5. Once mounted, test the strength to make sure the lock box is securely mounted

## CARE AND MAINTENANCE

- For security purposes wipe fingerprint off fingerprint scanner (C) when opening and/or closing the lock box
- If necessary use a damp cloth to clean the lock box. DO NOT use chemicals or cleaning agents
- Keep liquids away from the control panel. Spills on the control panel will cause damage and possibly electric shock
- Secure lock box in a proper area to prevent it from falling and causing damage or injury
- DO NOT over stuff the contents of the lock box, it can damage the motor mechanism or the contents
- DO NOT place emergency keys inside of lock box
- Barska will NOT provide replacement keys

Note: All information, feature, and specification displayed herein are based on the data available at the time of publishing, thus they are subject to change without notice. All product pictures displayed herein are for illustration purposes only. The actual product may vary due to different circumstances.



## 1 YEAR LIMITED WARRANTY

### SAFE/LOCK BOX

BARSKA warrants this new safe/lock box to be free of defects in material and/or workmanship under normal use for a period of twelve (12) months from the date product is purchased. This limited warranty is delimited to repair or replacement only. This warranty does not cover damage caused by improper installation or maintenance. BARSKA disclaims all liability for incidental or consequential damages resulting from misuse, abuse, accident (such as dropping), fire, flood, service or repairs other than those performed by BARSKA, acts of nature, or arising out of any breach of this warranty. Altering the product under any circumstances will automatically void the warranty.

For service under this limited warranty, please have available the proof of purchase and the purchase date and location as well as a detailed description of the problem. This warranty is not transferable and only applies to the original purchaser with a proof of purchase from BARSKA or from an authorized dealer. This warranty applies only to products purchased within the United States, excluding Alaska, the Hawaiian Islands and all U.S. territories in the Caribbean and the Pacific.

BARSKA will examine and go through troubleshooting procedures, product repair or replacement of defective part(s) or units with new part(s) or provide a new unit, if necessary, during the warranty period. Reasonable shipping/handling charges may apply and are based on Barska sole discretion. Purchaser shall be required to prepay Shipping/handling charges with a check or money order to BARSKA at time product is returned. The Return Merchandise Authorization Number (RMA#) and shipping/handling charge MUST be obtained from BARSKA in advance of return. BARSKA shall not be liable for damages or loss occurring during shipping. Please visit via [www.barska.com](http://www.barska.com) or call 909.445.8168 to obtain the RMA#, Shipping/handling amount, and for more information.

BARSKA reserves the right to modify or discontinue, without prior notice to the purchaser, any model or style of the product. BARSKA will determine, at its sole discretion, whether a product will be repaired or replaced. BARSKA reserves the right to discontinue or change any feature of its products at any time. If an exact replacement or product is not available, BARSKA reserves the right to provide a part or product that matches as closely as possible.

### LIMITATION OF REMEDIES

BARSKA disclaims any warranties, express or implied, whether of merchantability or fitness for a particular use, except as expressly set forth herein. The sole obligation of BARSKA under this limited warranty shall be to repair or replace the covered product, in accordance with the terms set forth herein. BARSKA expressly disclaims any lost profits, general, special, indirect or consequential damages which may result from breach of any warranty, or arising out of the use or inability to use any BARSKA product. Any warranties which are implied and which cannot be disclaimed shall be limited in duration to a term of one year from the date of original retail purchase.

Some states do not allow the exclusion or limitation of incidental or consequential damages or limitation on how long an implied warranty lasts, so the above limitations and exclusions may not apply to you.

BARSKA  
855 Towne Center Drive, Pomona, CA 91767

BC767