

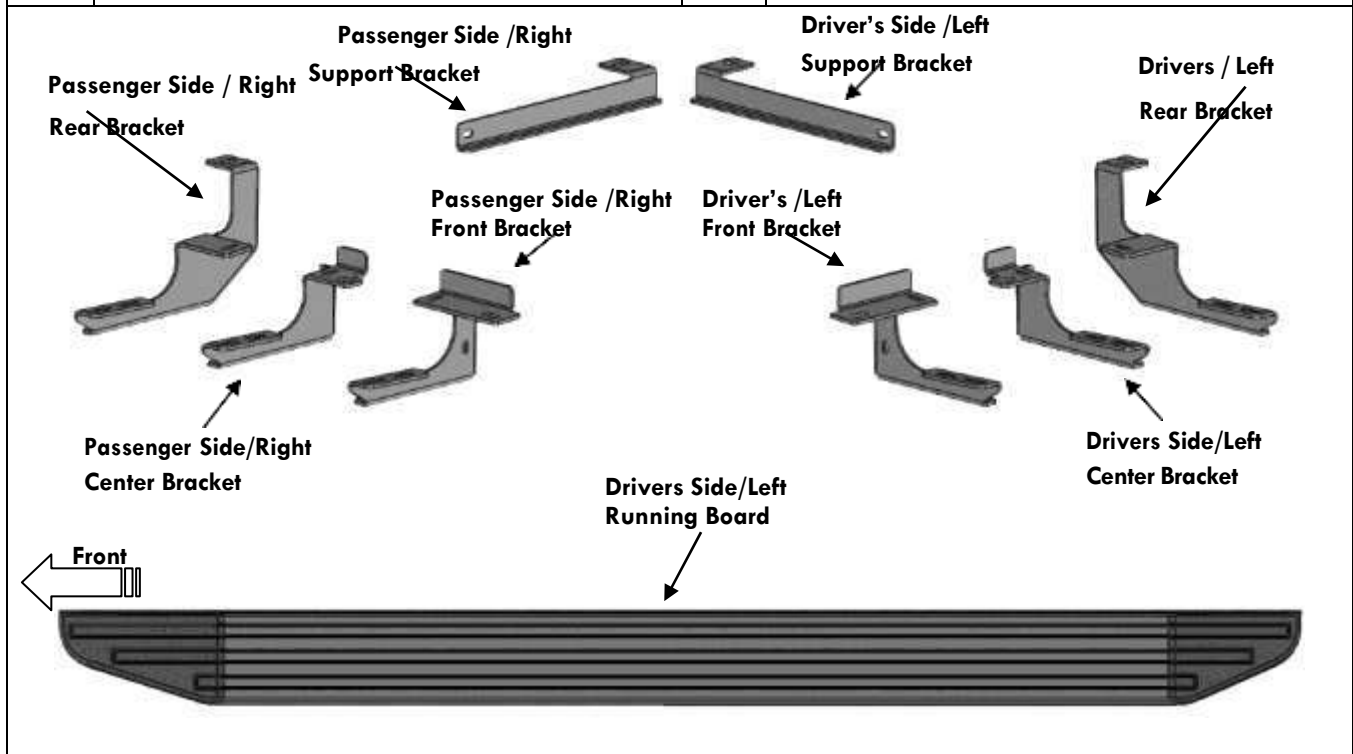


RUNNING BOARDS
INSTALLATION INSTRUCTIONS

FOR
2020 -2023
KIA TELLURIDE – Part :
PR-K376BK
PEERLESS RUNNING BOARDS

PARTS LIST:

1	Driver/Left Running Board		
1	Passenger/Left Running Board	8	10mm x 30mm OD x 2.5mm Flat Washers
1	Driver/Left Front Mounting Bracket	8	10mm Nylon Lock Nuts
1	Passenger/Right Front Mounting Bracket	2	8-1.25mm x 25mm Hex Bolts
1	Driver/Left Front Support Bracket	4	8mm x 24mm OD x 2mm Flat Washers
1	Passenger/Right Front Support Bracket	2	8mm Lock Washers
1	Driver/Left Center Mounting Bracket	2	8-1.25mm Hex Nuts
1	Passenger/Right Center Mounting Bracket	12	6-1.0mm x 20mm T-Bolts
1	Driver/Left Rear Mounting Bracket	16	6mm x 18 OD x 1.6mm Flat Washers
1	Passenger/Right Rear Mounting Bracket	16	6mm Lock Washers
8	10-1.5mm x 40mm Bolt Plates	16	6mm Hex Nuts



DRIVER'S /LEFT SIDE INSTALLATION:

CHECK ALL PARTS ARE PRESENT. READ INSTRUCTIONS BEFORE STARTING. SOME MINOR TRIMMING IS REQUIRED. Remove the plastic cladding on the sills, retain these as they will need to be be trimmed and re-installed later

DRIVER'S /LEFT SIDE FRONT BOARD MOUNTING

1. Locate the Driver's Side/Left mounting location and remove the rubber plug in the bottom of the outer rocker panel, **(Figure 1)**.
2. Select a 10mm Bolt Plate. Insert the Bolt Plate into the hole. **(Figure 2)**.
3. Select the Driver's Side /Left Front Mounting Bracket. Attach the Mounting Bracket to the Bolt Plate with a 10mm Flat Washer and a 10mm Nylon Lock Nut, **(Figure 2)**. Attach the Bracket to the stud with a 6mm Flat Washer, a 6mm Lock Washer and a 6mm Hex Nut. Do not tighten down.
4. Locate the inner hole behind the Driver/Left Front Mounting Bracket. Repeat **Step 4** to insert a 10mm Bolt Plate, **(Figure 4)**.
5. Select the Driver's Side/Left Support Bracket. Attach the Support Bracket to the Bolt Plate in the inner hole with a 10mm Flat Washer and a 10mm Nylon Lock Nut, **(Figure 5)**. Attach the Support Bracket to the Mounting Bracket with a 8mm Hex Bolt, (2) 8mm Flat Washers, a 8mm Lock Washer and a 8mm Hex Nut, **(Figures 6 & 7)**. Do not tighten down.

•DRIVER'S / LEFT SIDE CENTER BOARD MOUNTING

6. Move to the center mounting location. Repeat **Steps 4 & 5** to attach the Driver/Left Center Mounting Bracket to the center mounting location, (**Figures 8 & 9**). Do not tighten down.

DRIVER'S / LEFT SIDE REAR BOARD MOUNTING

Move to the rear mounting location. Repeat **Steps 4 & 5** to attach the Driver/Left Rear Mounting Bracket, (**Figures 10—12**). Do not tighten down.

•REPLACING THE PLASTIC CLADDING

Please Note: The covers must be notched to clear the bracket support arms.

7. Select the Driver/Left Side cladding. Hold up each cover to the mounting locations. Mark and notch each plastic cover along the marks to allow the cladding to clear the protruding bracket arms.

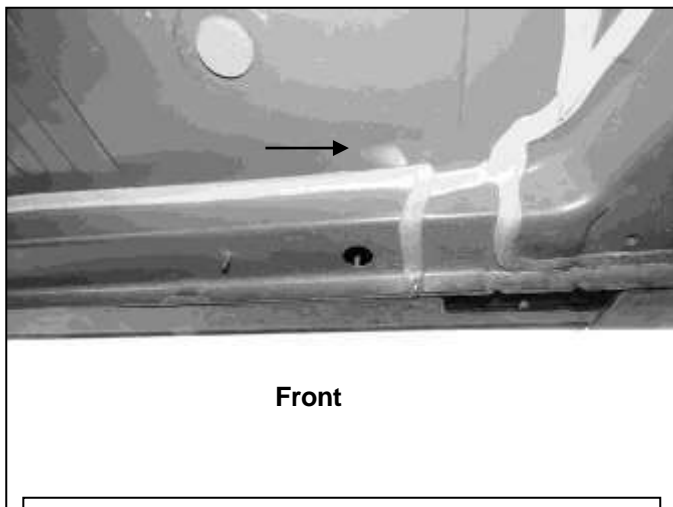
DRIVER'S SIDE / LEFT STEP PLATE MOUNTING

8. Insert 6x6mm T-Bolts in to the 'U' channels on the underside of the Running Board, (**Figure 13**).
9. Mount the Running Board to the mounting brackets with 6x6mm Flat Washers, 6x 6mm Lock Washers and 6x 6mm Hex Nuts, (**Figure 14**).
10. Level and center the Running Board and tighten all hardware.
11. Reattach the plastic covers.

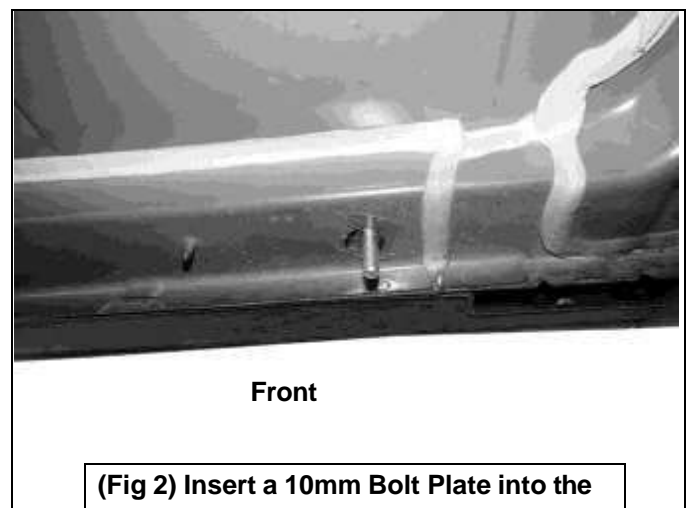
PASSENGER SIDE INSTALLATION

12. Repeat **Steps 2—13** for the Passenger/Right Running Board installation.

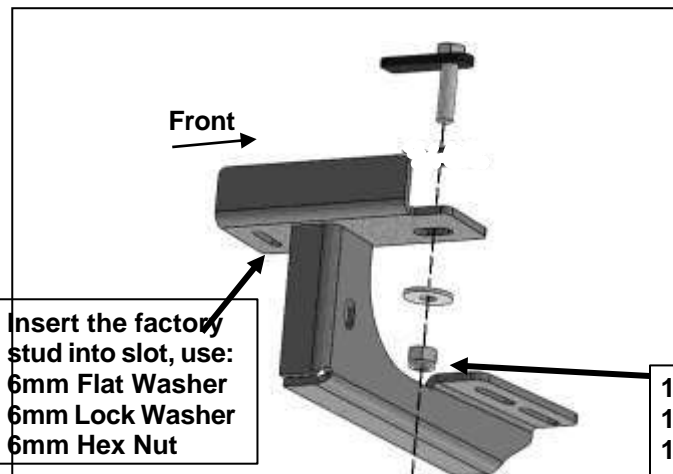
Driver/Left Side Installation Pictured



(Fig 1) Driver/Left front outer mounting location

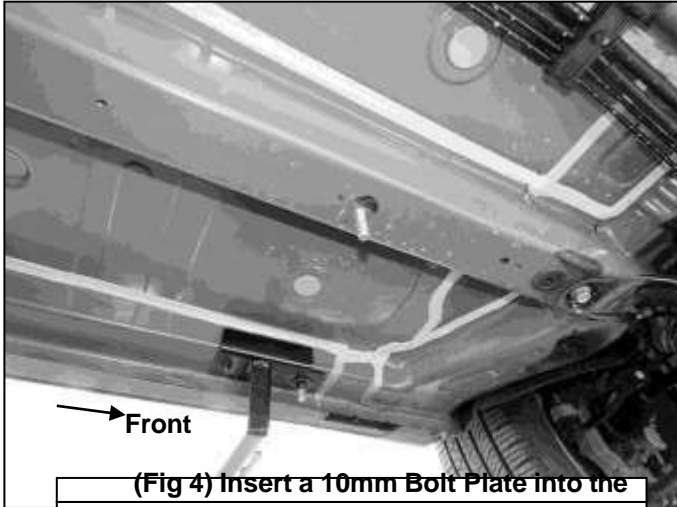


(Fig 2) Insert a 10mm Bolt Plate into the hole. Thread a 10mm Plastic Retainer onto the Bolt Plate to hold it in place



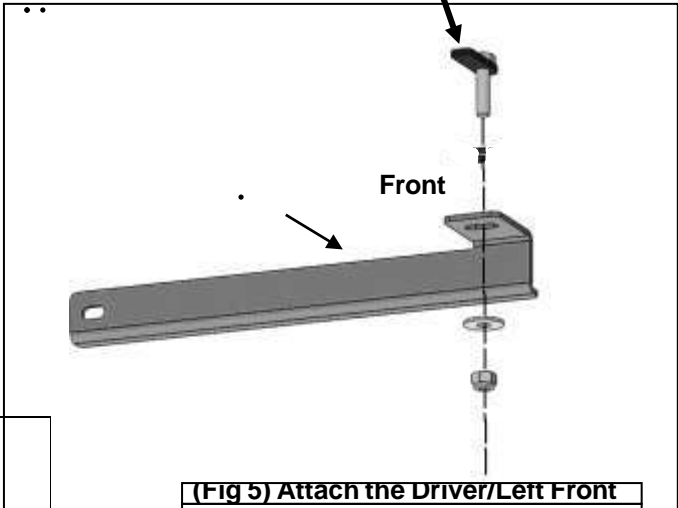
(Fig 3) Attach the Driver/Left Front Mounting Bracket to the Bolt Plate

Driver/Left Side Installation Pictured



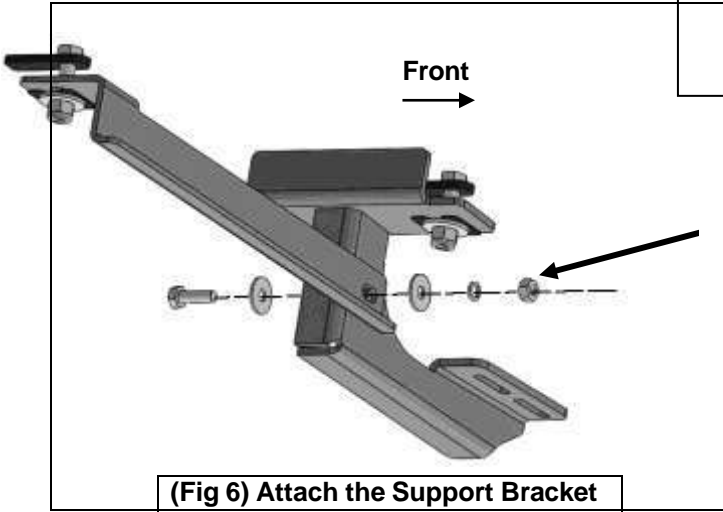
(Fig 4) Insert a 10mm Bolt Plate into the inner hole. Thread a 10mm Plastic Retainer onto the Bolt Plate to hold it in place

- 10mm Bolt Plate
- 10mm Flat Washer
- 10mm Nylon Lock Nut

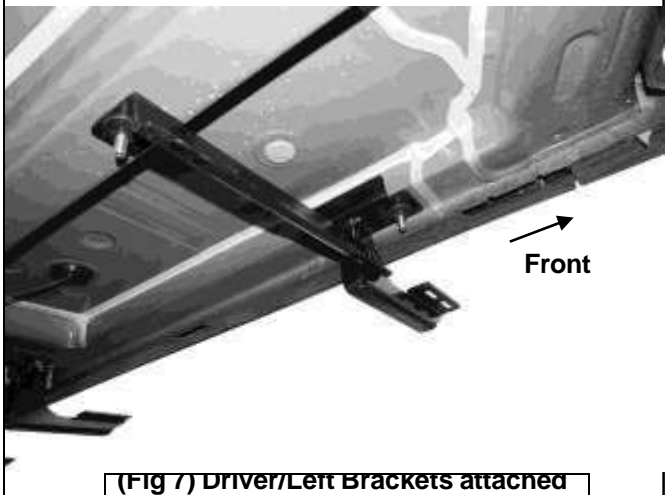


(Fig 5) Attach the Driver/Left Front Support Bracket to the Bolt Plate

- 8mm Hex Bolt
- (2) 8mm Flat Washers
- 8mm Lock Washer
- 8mm Hex Nut



(Fig 6) Attach the Support Bracket to the Mounting Bracket



(Fig 7) Driver/Left Brackets attached to the front mounting locations

Driver/Left Side Installation Pictured

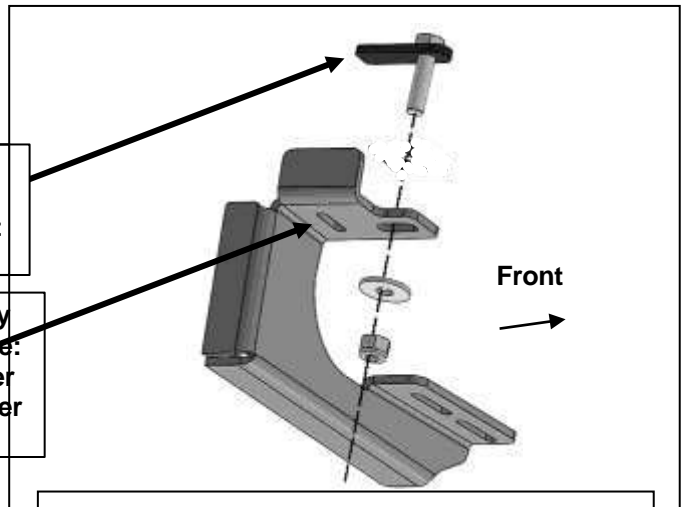


→
Front

(Fig 8) Insert a 10mm Bolt Plate into the center hole. Thread a 10mm Plastic Retainer onto the Bolt Plate to hold it in place

10mm Bolt Plate
10mm Flat Washer
10mm Nylon Lock Nut

Insert the factory stud into slot, use:
6mm Flat Washer
6mm Lock Washer
6mm Hex Nut



Front
→

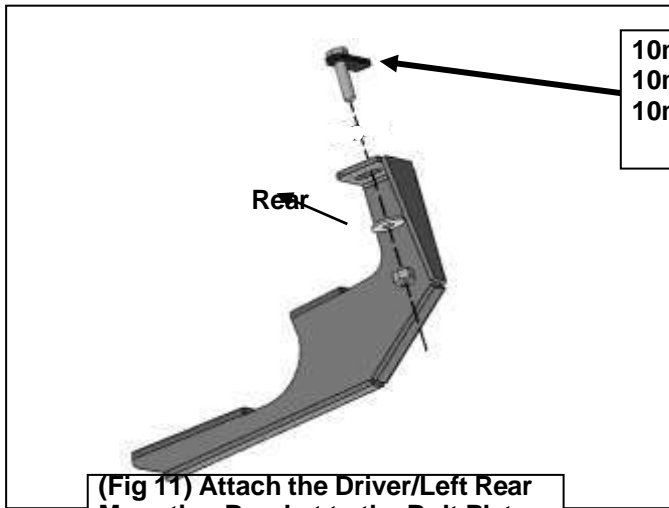
(Fig 9) Attach the Driver/Left Center Mounting Bracket to the center mounting location



←
Rear

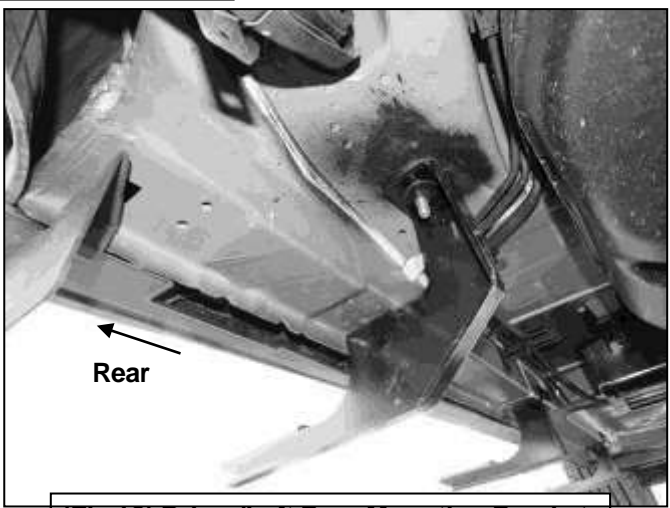
(Fig 10) Insert a 10mm Bolt Plate into the rear hole. Thread a 10mm Plastic Retainer onto the Bolt Plate to hold it in place

Driver/left Side Installation Pictured

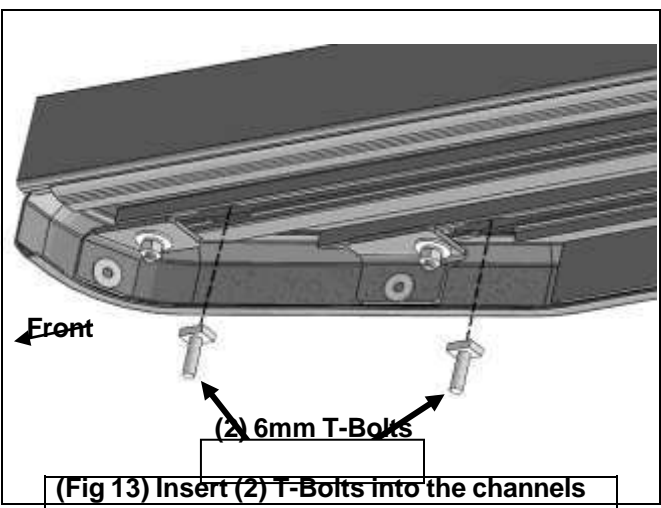


- 10mm Bolt Plate
- 10mm Flat Washer
- 10mm Nylon Lock Nut

(Fig 11) Attach the Driver/Left Rear Mounting Bracket to the Bolt Plate

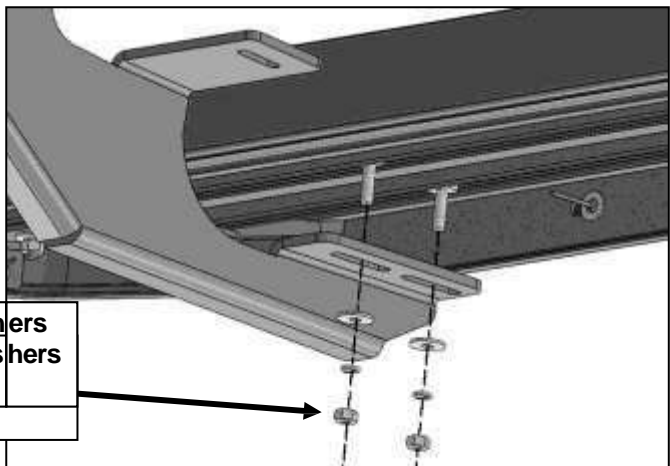


(Fig 12) Driver/Left Rear Mounting Bracket attached to the rear mounting location



- (2) 6mm T-Bolts

(Fig 13) Insert (2) T-Bolts into the channels on the bottom of the Running Board



- (2) 6mm Flat Washers
- (2) 6mm Lock Washers
- (2) 6mm Hex Nuts

(Fig 14) Attach the Driver/Left Running Board to the Mounting Brackets

Care for your investment. Do not use any type of polish or wax that may contain abrasives that could damage the finish. Aluminum polish may be used to polish small scratches and scuffs on the finish. Mild soap may be used also to clean the Running Board.

