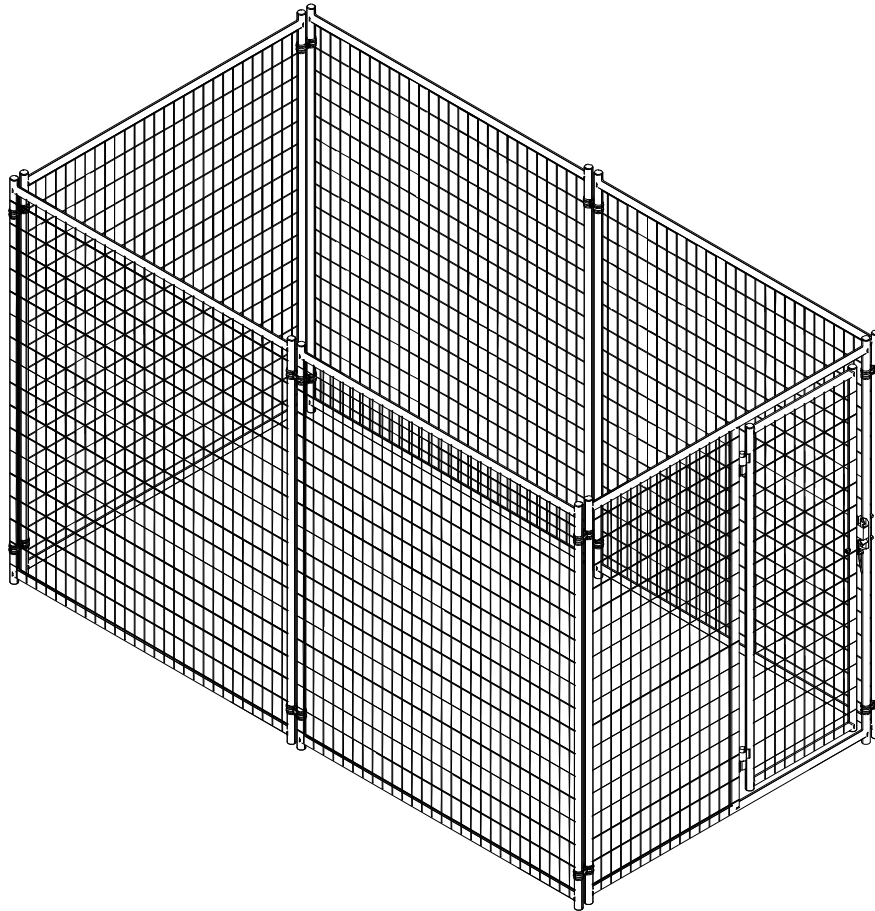




5 ft. x 10 ft.
KENNEL KIT
INSTRUCTION GUIDE: MODEL RDK510



ASSEMBLY TIPS:

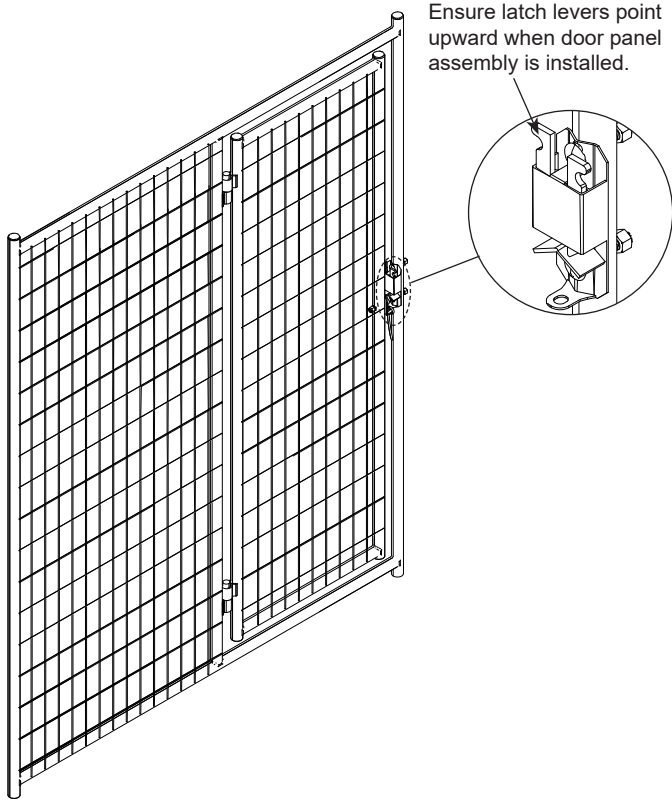
- Ensure that all parts are present before starting assembly.
- Check all packing material carefully before discarding, as some parts may be encased in the packing material.
- For ease of assembly, identify all required parts prior to each assembly step.
- Assemble at or near desired placement location.
- Ensure that there is sufficient space and personnel available to assemble the product safely.
- Do not overtighten fittings, as this may damage the product.
- Retain instruction guide for future reference.

Distributed by:
TRACTOR SUPPLY COMPANY
5401 VIRGINIA WAY,
BRENTWOOD, TN 37027
For customer support,
call: 1-888-376-9601
www.TractorSupply.com

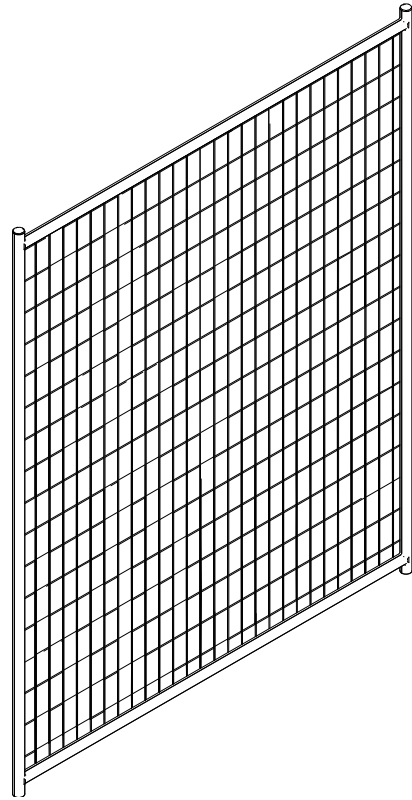


PARTS LIST

A (1x) Complete Door Panel Assembly
(latch installed)

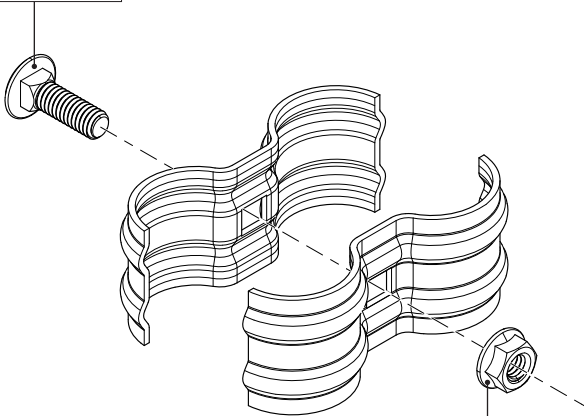


B (5x) Standard Panel



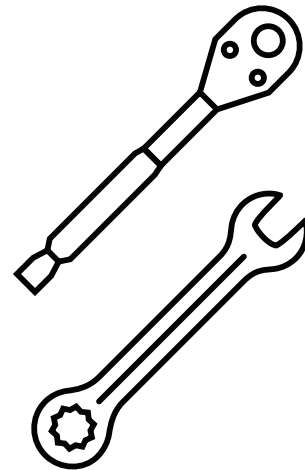
C (12x) Clamp Set
(includes bolt and flange nut)

5/16"-18 X 1"
Carriage Bolt
Zinc Plated



5/16"- 18
Serrated Flange Nut
Zinc Plated

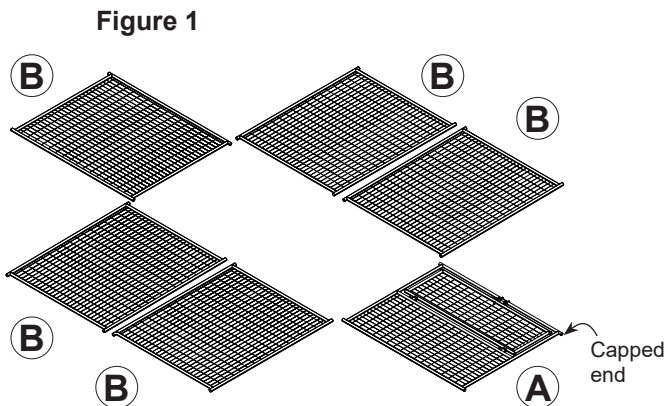
Required tools: Ratchet and 1/2" socket or wrench (not included)



ASSEMBLY INSTRUCTIONS

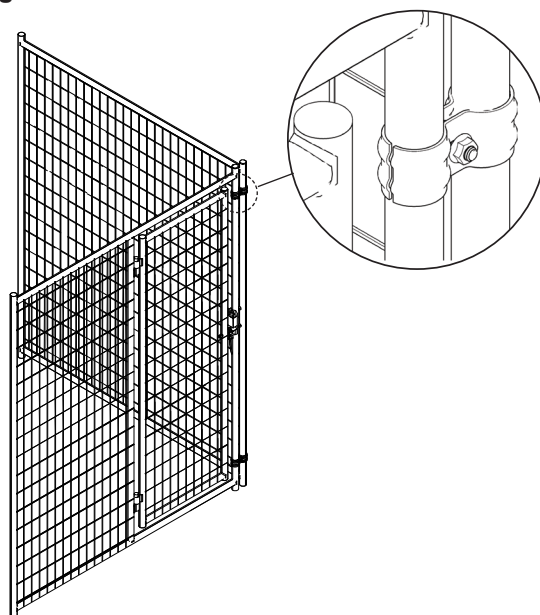
- 1 Lay the panels on level ground in the desired configuration (see Figure 1). Ensure the panels are oriented with capped end at the top when positioned upright.

Note: Complete Door Panel Assembly (A) is interchangeable with any Standard Panel (B). The assembly can also be rotated 180° to position the opening on either the left or right side.



- 2 Starting at a corner, position two adjacent panels upright to form a 90° angle. Connect them by placing clamps at both the top and bottom of the panels. Bolt threads and flange nut should face outward (see Figure 2).

Figure 2



- 3 Clamp remaining panels together.
Note: Be sure to position the front and back panels so that the end rails are on the inside of the side panels (see Figure 3).

⚠ Important safety information

- This product is intended for use with pets only. Using this product in a way that is not intended could result in violation of Federal, State or local laws.
- If you are unsure whether this product is appropriate for your pet, please consult your veterinarian or a certified trainer.
- Kennel should be placed in an area that is clear of foreign objects and should be protected from sun and other weather elements that may be harmful to your pet.

Figure 3: Assembled kennel—top view

