

# DUMOR

**SKU: 6024191**


## **Rabbit Hutch**

**(47.2 in. L x 38 in. H x 22.4 in. W)**



**Distributed by:  
TRACTOR SUPPLY COMPANY  
5401 VIRGINIA WAY,  
BRENTWOOD, TN 37027  
For customer support, call: 1-888-376-9601  
[www.TractorSupply.com](http://www.TractorSupply.com)  
MADE IN VIETNAM**

# CARE TIPS

 **DANGER:** Please keep children out of assembly area during assembly.

 **WARNING:**

- \* Climbing on the unit is not permitted.
- \* Children should not be allowed in, on or around the unit without supervision.
- \* This product is designed exclusively for rabbits. Not intended for children.
- \* Keep hutch in safe area away from high winds and extreme temperatures.

 **MAINTENANCE:**

To protect wood and increase durability, wood can be coated with a non-toxic outdoor paint. For better results, re-coat yearly, especially in climates with extreme weather conditions.

## **BEFORE YOU BEGIN:**

Read instruction prior to assembly. This product contains parts that can be damaged if incorrectly assembled. Please follow instructions. For steps where parts are placed upside down, place parts on a smooth surface to avoid scratching finish. Locate a flat level surface area to assemble and place coop for best results.


## **PRE-ASSEMBLY:**

*TOOLS REQUIRED (not included):*

- *Screwdriver*
- *Tape*



Two people are recommended to assemble this product.

 **CAUTION:** If using a cordless power drill / screwdriver, turn torque setting down to a minimum level to start so that screws are not stripped. Adjust torque up slightly if needed to fully tighten screws.

## DMR Rabbit Hutch Assembly Instructions

(1) **BOX TOTAL CONTAIN THESE PARTS:**

SKU # 6024191

### ACCESSORIES

(A)



4 x 50 mm 4pcs

(C)



4 x 30 mm 6pcs

(E)



3 x 12 mm 6pcs

(B)



4 x 40 mm 10pcs

(D)



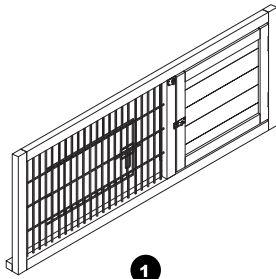
3 x 14 mm 8pcs

(F)



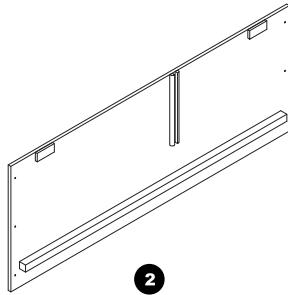
L R Hinge 1pair

### PARTS



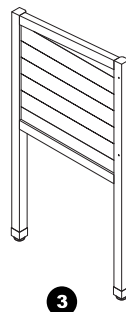
1

Front Panel



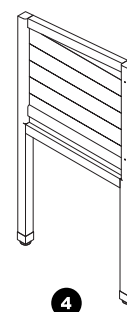
2

Back Panel



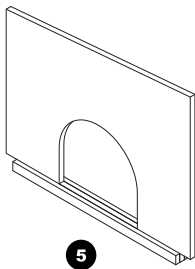
3

Left Side Panel



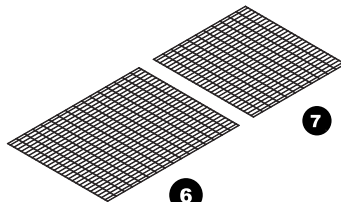
4

Right Side Panel



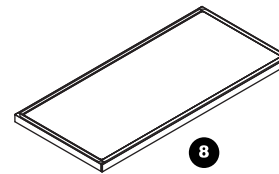
5

Hutch Divider



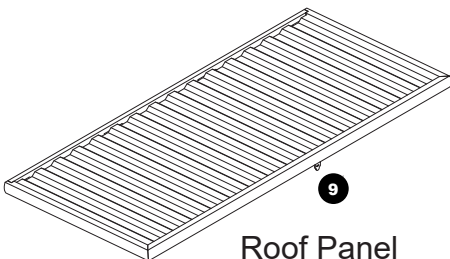
6

Wire Floor



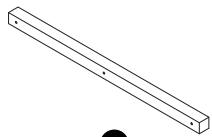
8

Cleaning Tray



9

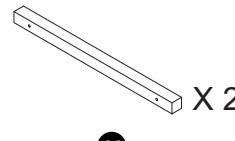
Roof Panel



10

Support Bar

X 2

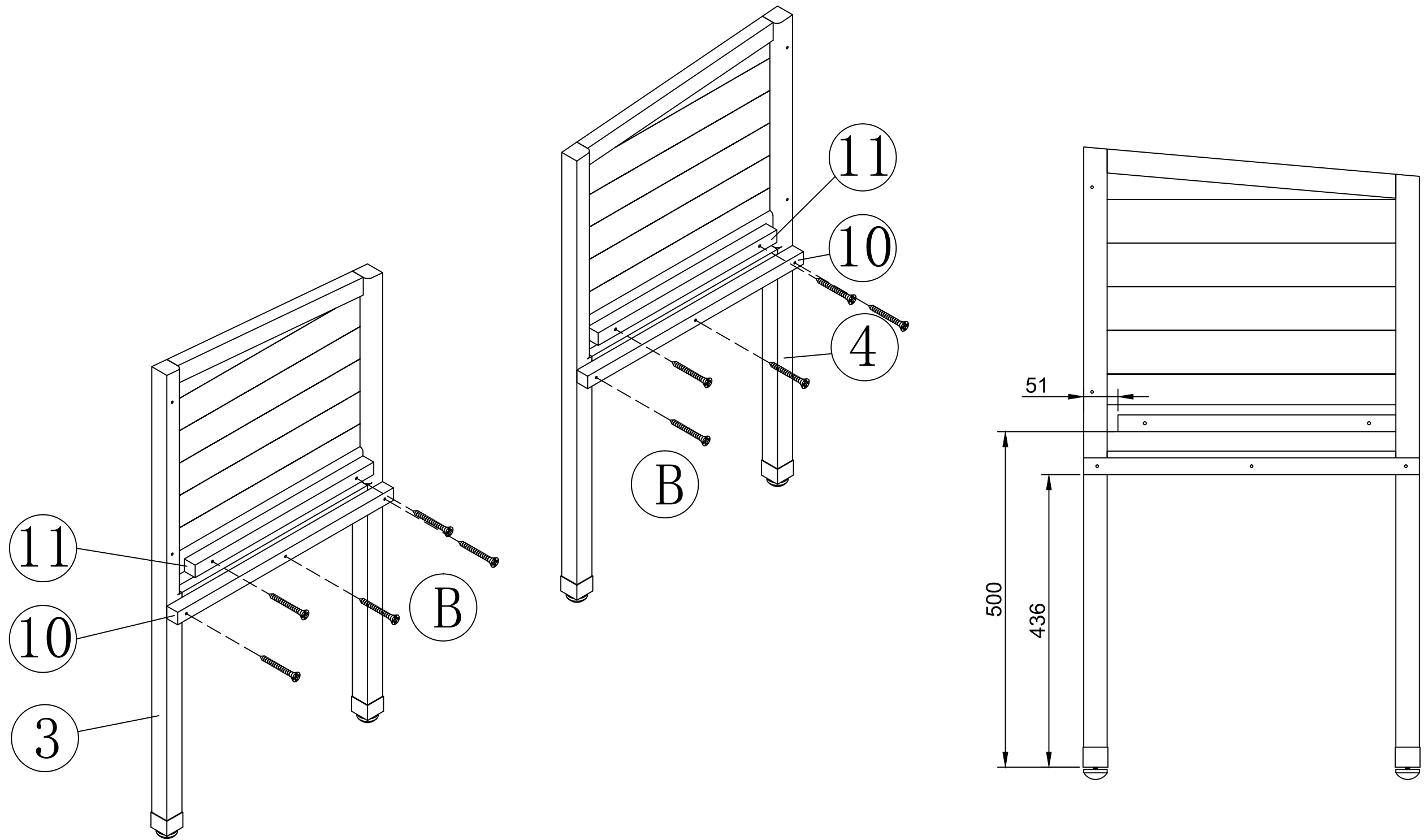


11

Support Bar

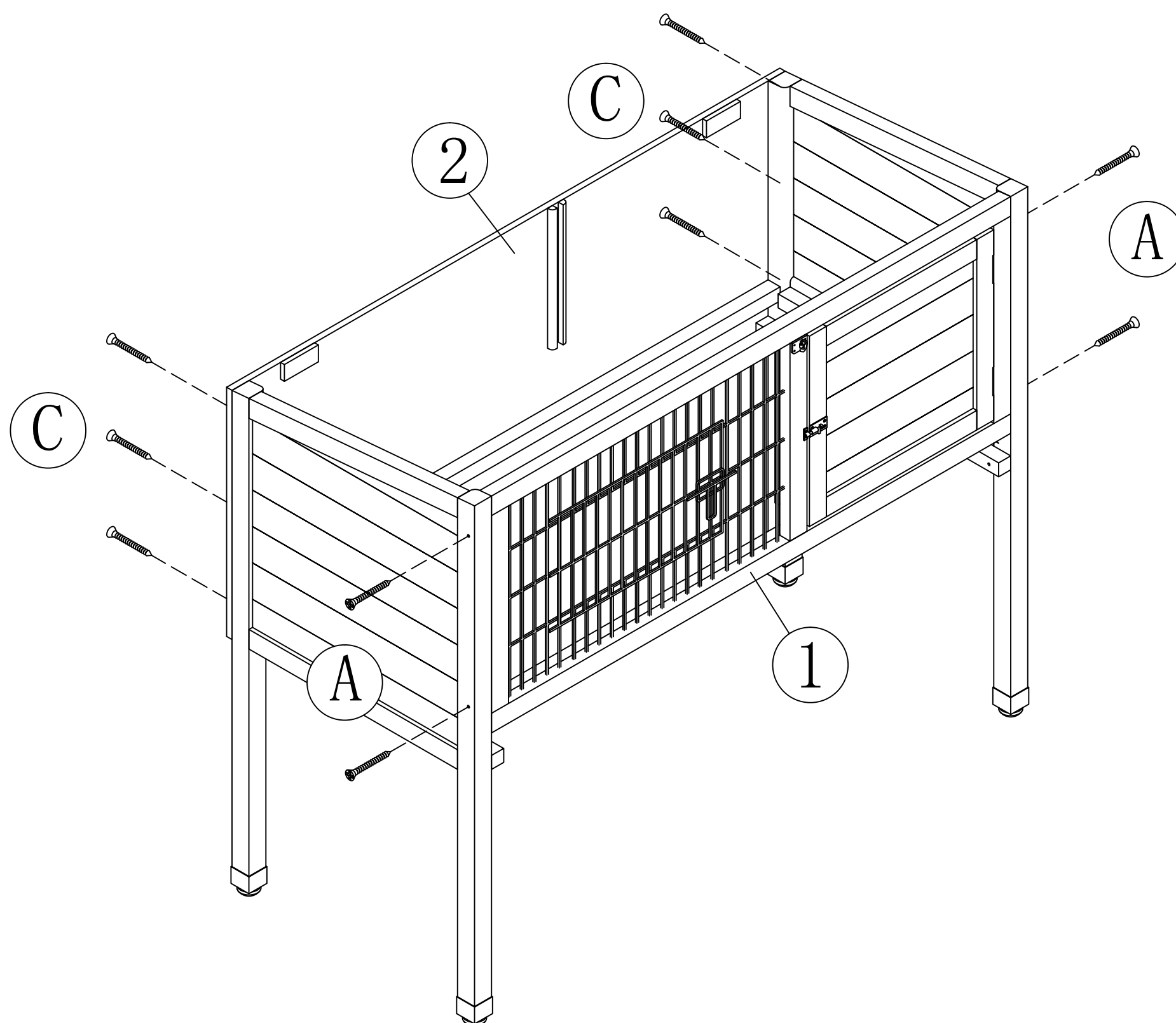
X 2

1



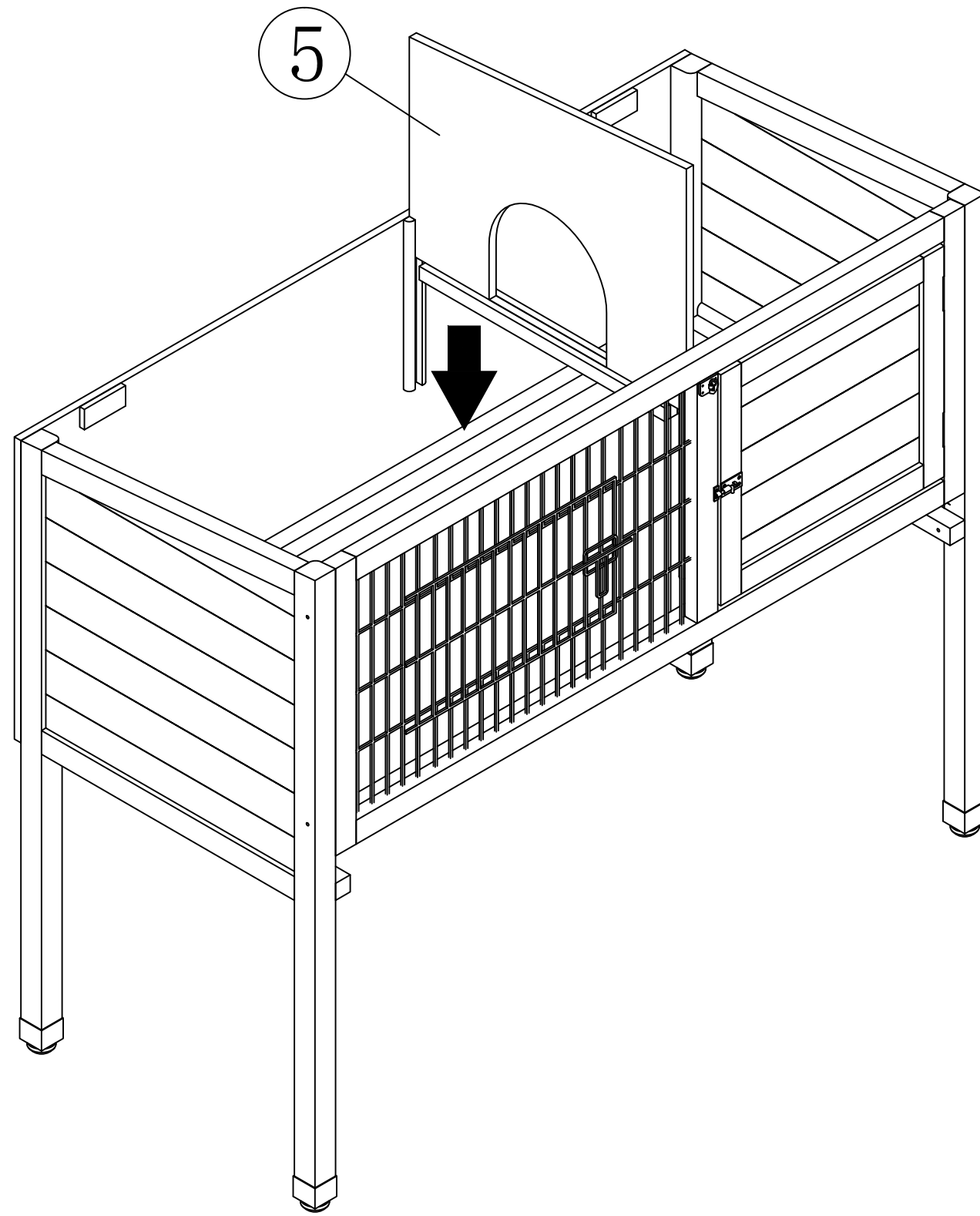
Step 1: Attach the support bar (10) and support bar (11) to the left side panel (3) and the right side panel (4) using 10pcs of Screws (B).

2



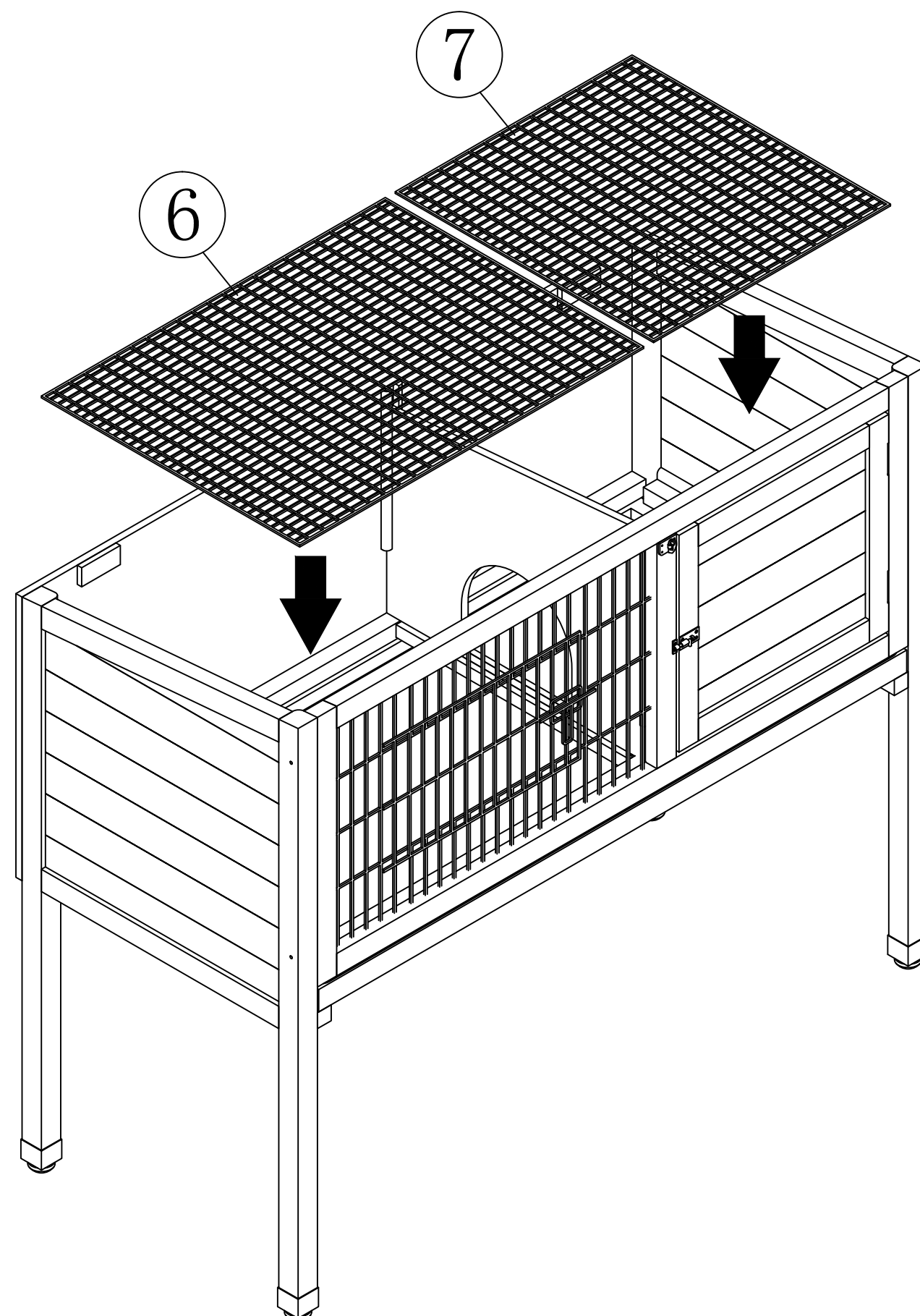
Step 2: Attach the front panel (1) and back panel (2) to the left and right side panels (3)(4) using 4pcs of screws(A) and 6pcs of screws(C).

3



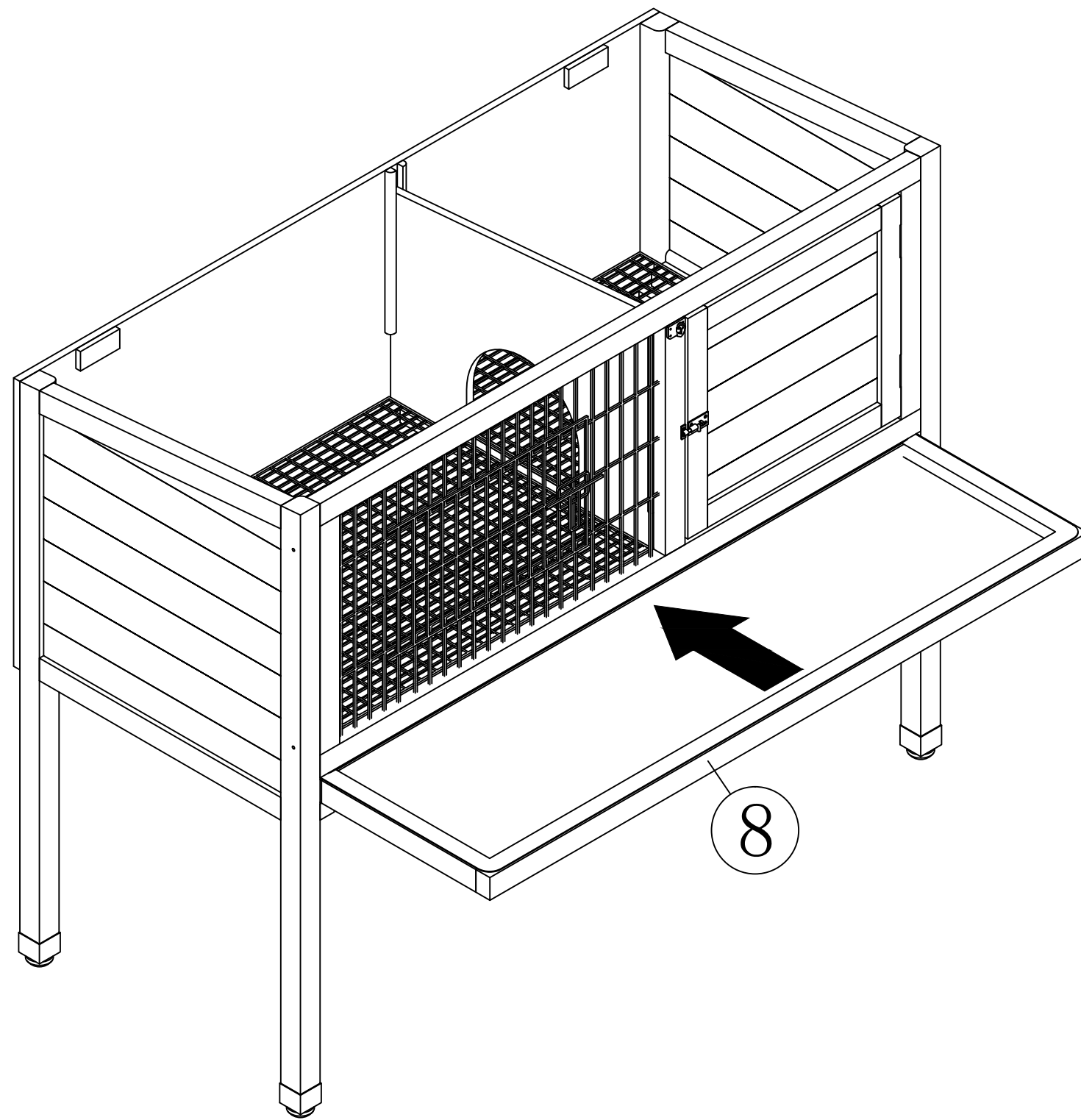
Step 3: Insert the hutch divider (5) .

4



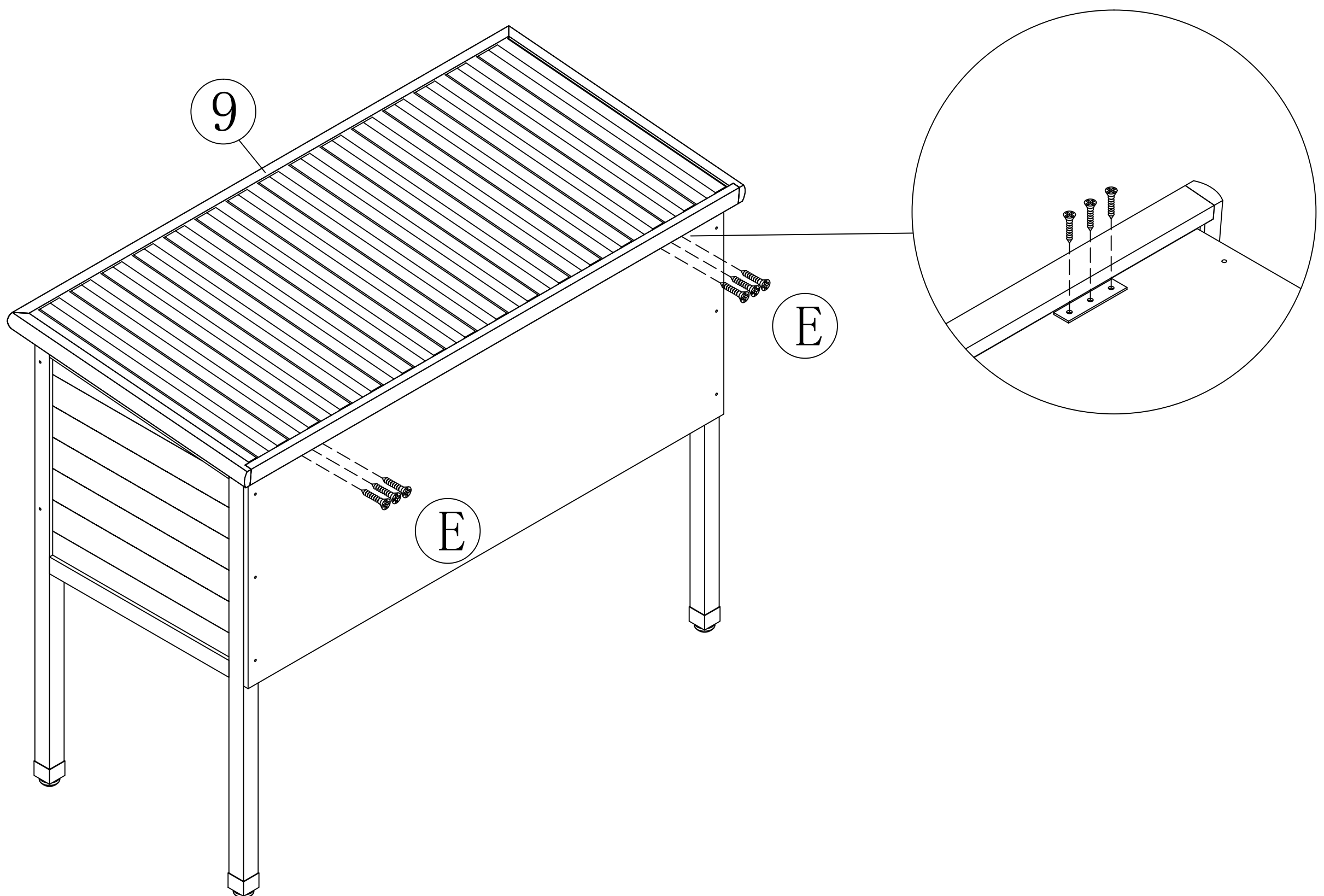
Step 4: Insert the wire floor (6)(7).

5



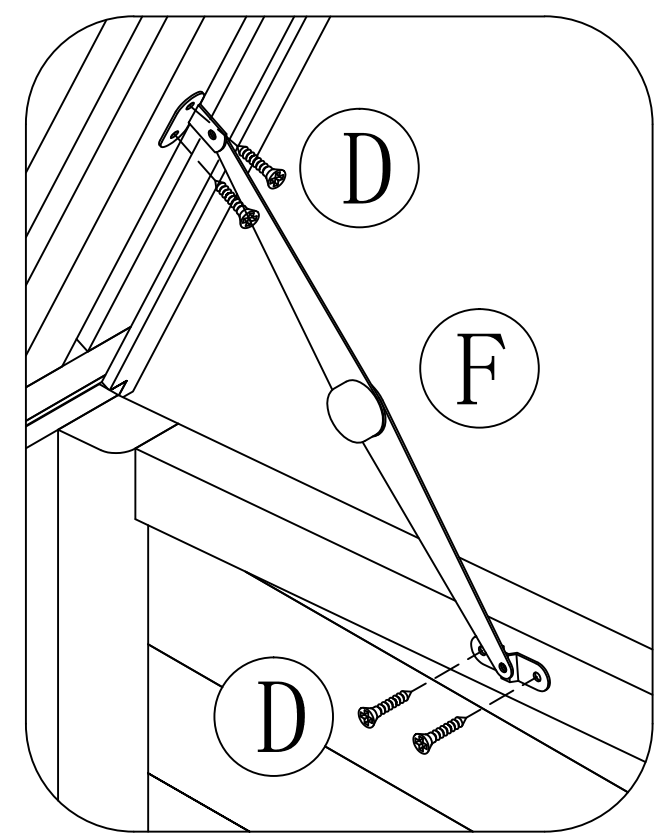
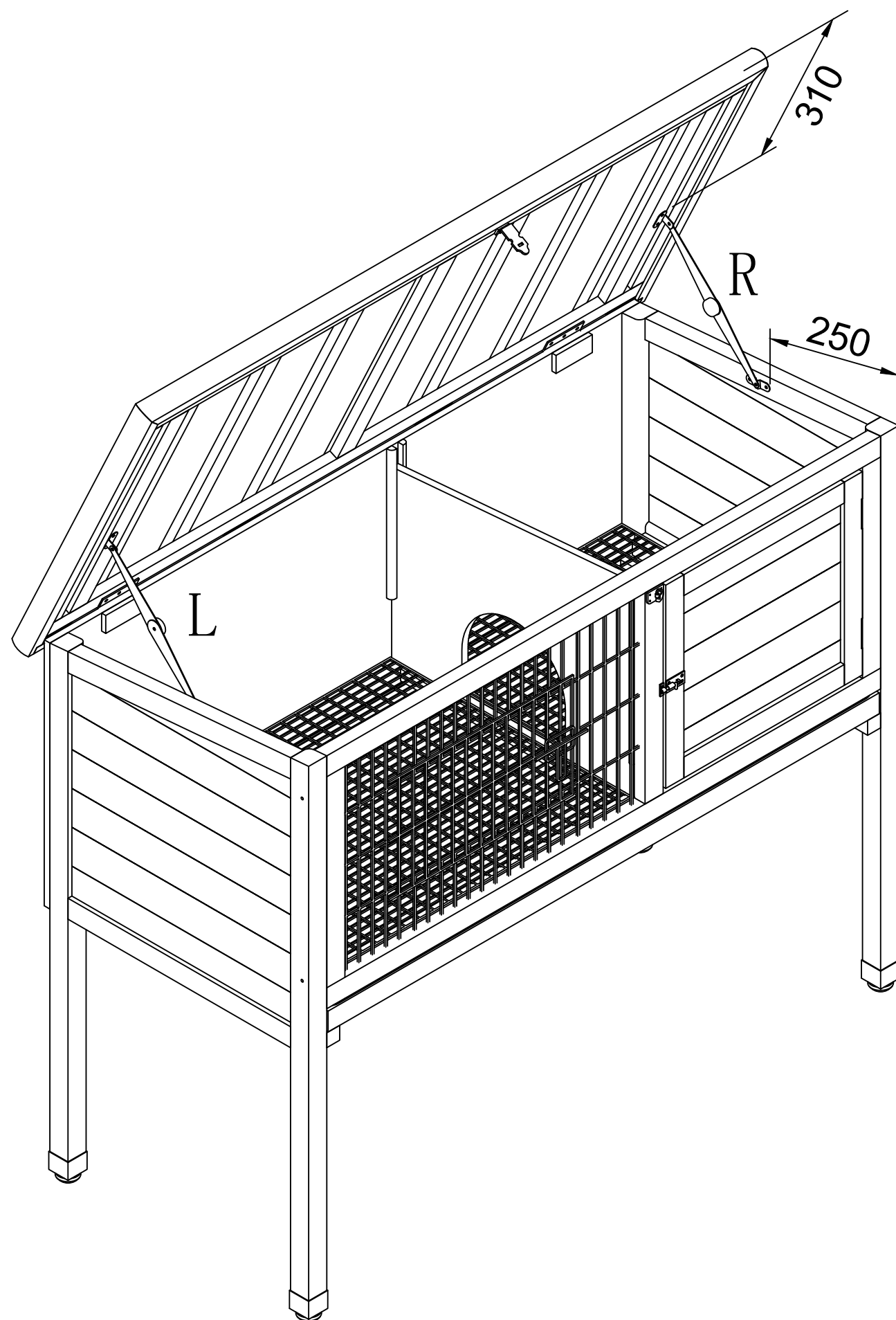
Step 5: Insert the cleaning tray (8).

6



Step 6: Attach the roof panel (9) to the top frame with 6pcs of screws (E).

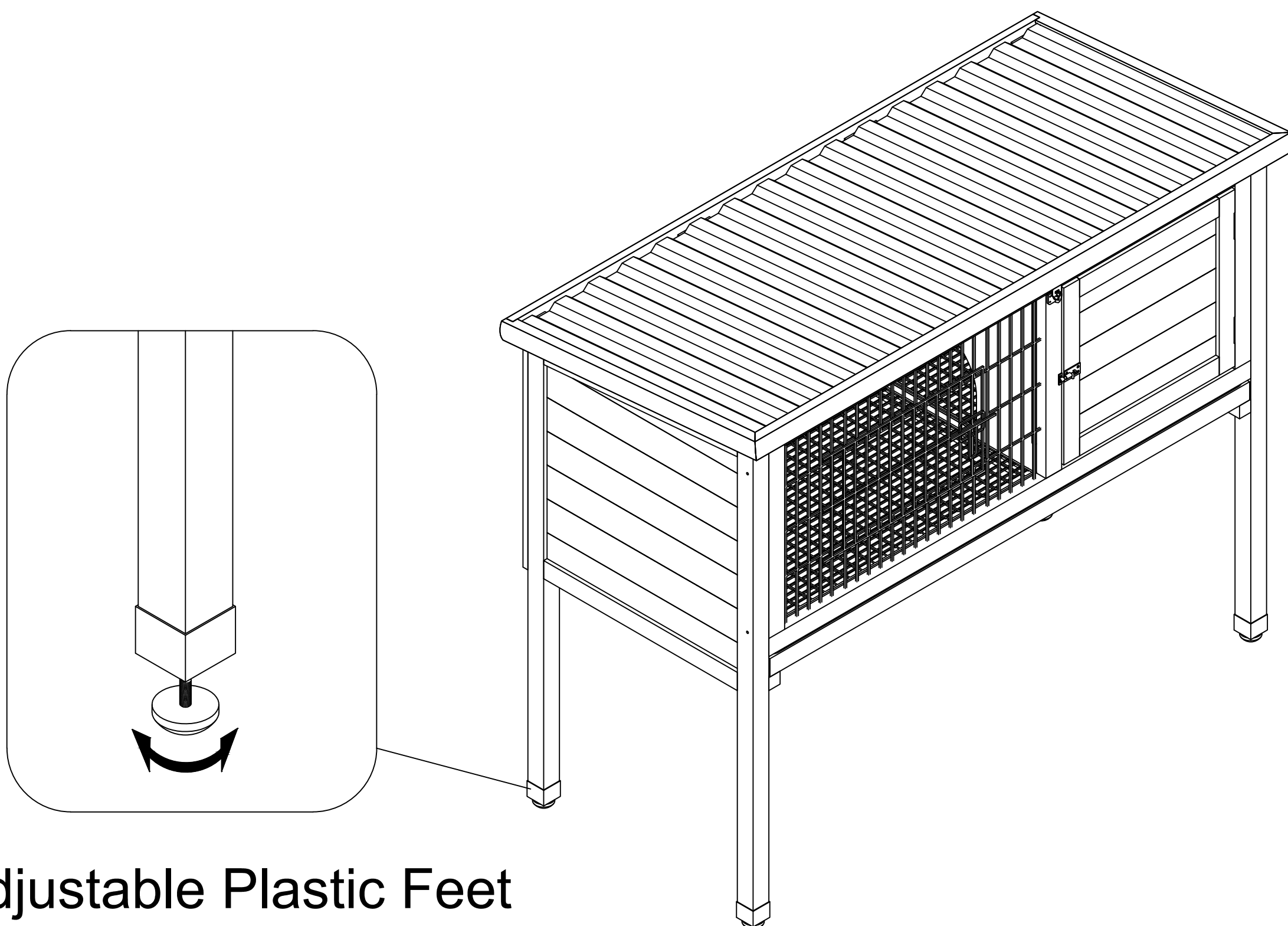
7



X 2

Step 7: Attach the hinge (F) to both sides of the frame and roof using 8pcs of screws (D).

8



Adjustable Plastic Feet

Step 8: Adjust the plastic feet to ensure the hutch sits level on the ground.