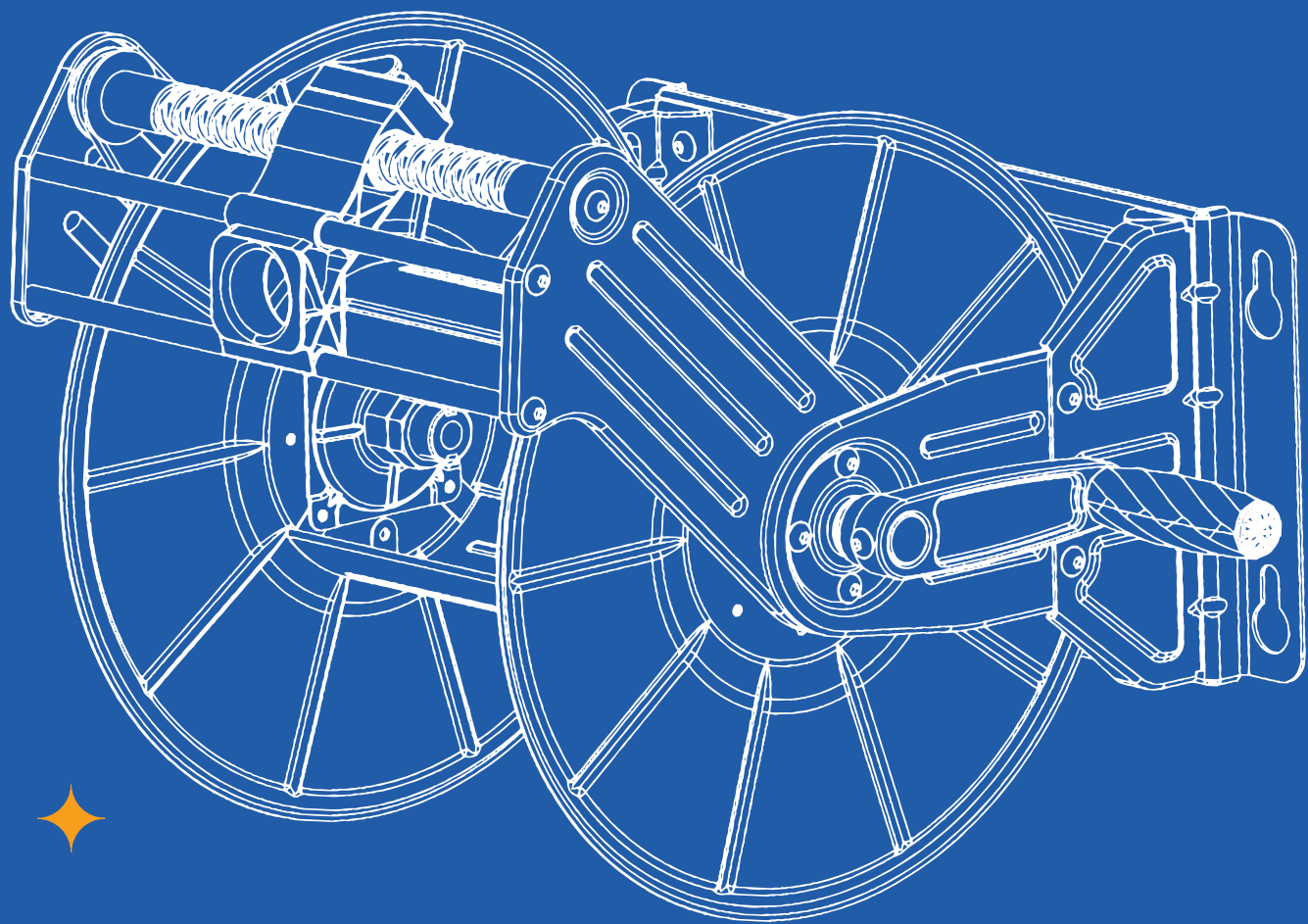


STAINLESS STEEL GARDEN HOSE REEL

Model SW-8



Read before use & keep for future reference.

For more information visit giraffetools.com or contact our customer service by sending an email to contact@giraffetools.com



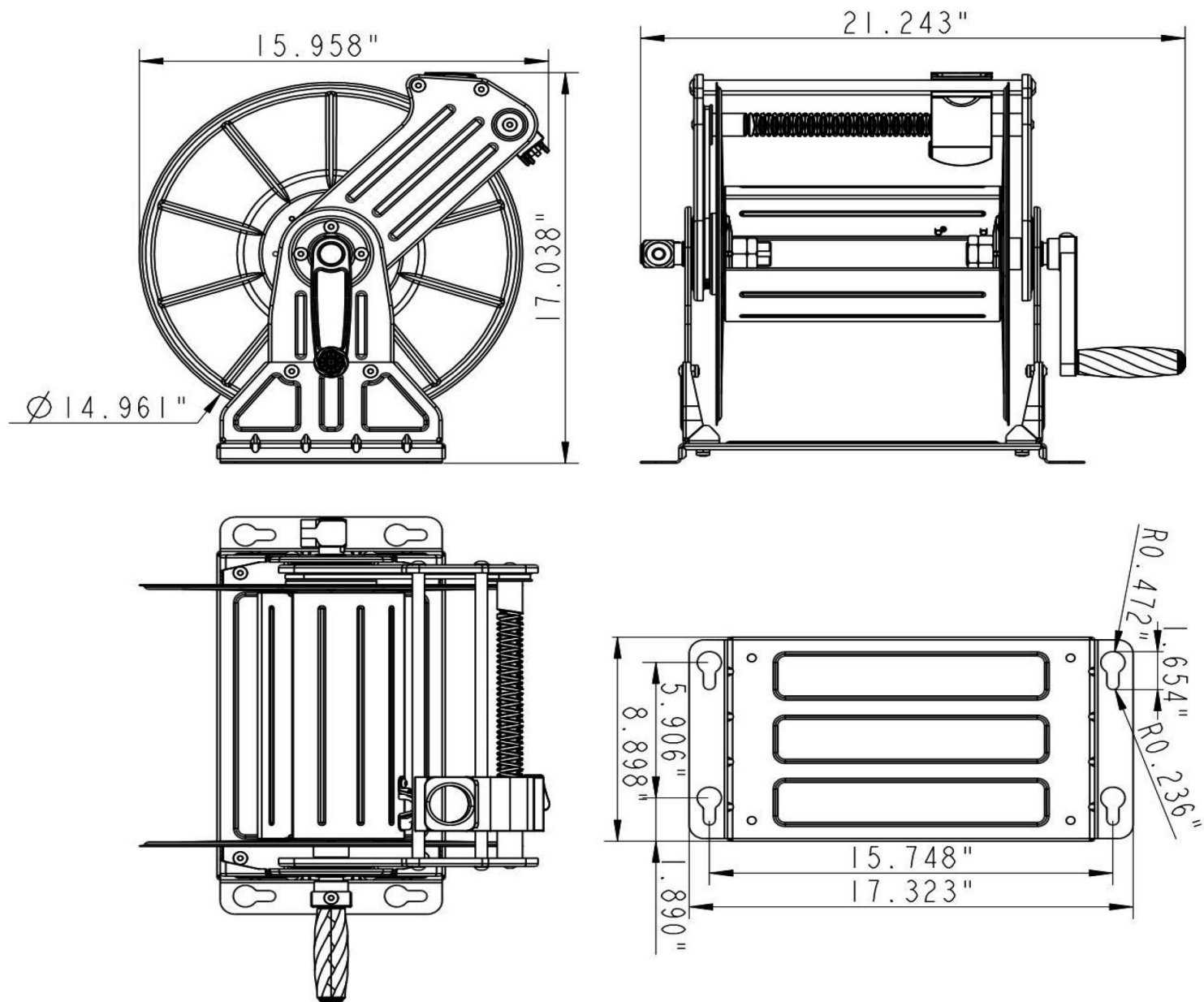
GIRAFFE TOOLS

MANUAL CONTENTS

Product Information -----	03	Product Testing -----	07
What's Inside The Box-----	04	Problem Guide -----	07
Open Box Check-----	05	Maintenance -----	08
Tools Requirement-----	05	Warranty-----	08
Start To Install-----	05	Products Recommended -----	10

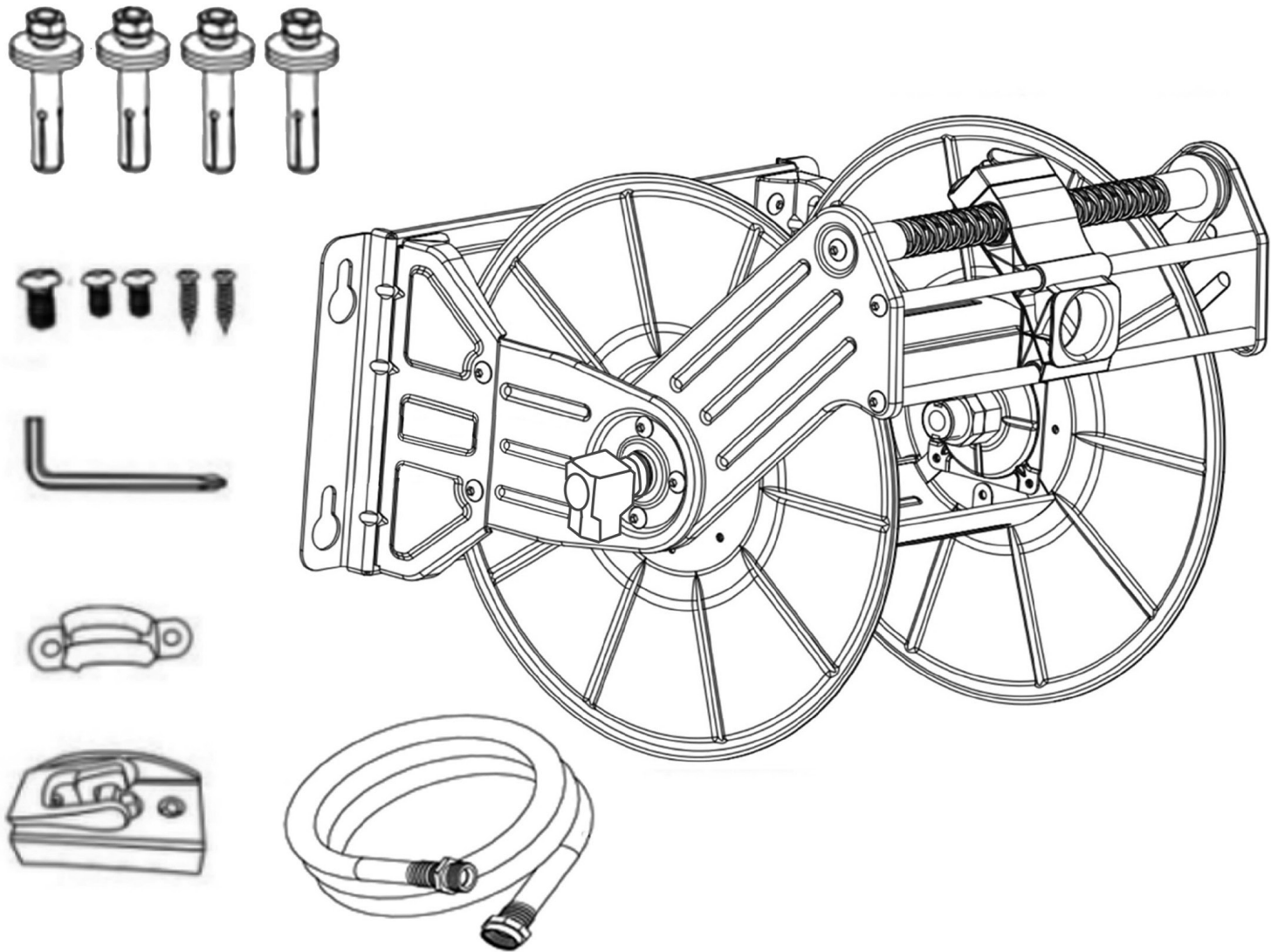
PRODUCT INFORMATION

The Giraffe Tools stainless steel hose reel is made of industrial-grade, tough gauge stainless steel for extra strength and durability. Equipped with a 5ft. 5/8" leader hose, this reel can hold 200ft. 1/2" or 150ft. 5/8" garden hose (A 3/4" hose may not be applicable to the hose guide).



Hose Capacity	1/2" x 200 ft or 5/8" x 150 ft
Connection Type	3/4" GHT
Working Temperature	0 - 104°F
Max. Working Pressure	1.2 MPA
Mount Type	Wall, Ceiling or Floor
Item Weight	8.9 kg / 19.6 lbs

WHAT'S INSIDE THE BOX



1 x Hose Reel

1 x 5ft Leader Hose

1 x Crank Handle

1 x Guide System Regulator

4 x Expansion Bolt: $\Phi 12*70$

2 x Self-tapping Screw M4-14

1 x Phillips Screw M8-12

2 x Phillips Screw M6-10

1 x Steel Hoop

1 x Allen Wrench with Phillips Screw Head

1 x Owner's Manual

OPEN-BOX CHECK

1. Check whether all parts above are in the box.
2. Check for (white) scratches on the product.

If you have any of these issues, please contact the Giraffe Tools customer service team right away.

Note: If you notice a strange smell upon opening your package, this is due to the sealed environment in which the package traveled overseas.

TOOLS REQUIREMENT

Electric drill (9/16")

Hammer

Socket set or a Phillips screwdriver

START TO INSTALL



Choose a place



Due to the weight of the filled reel and the pulling force during use, the reel must be installed on a solid surface.

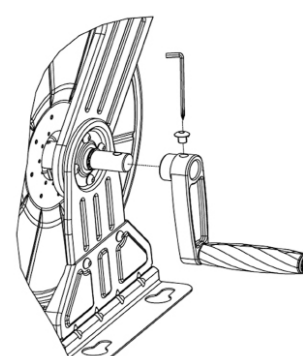
Notice: The surface needs to be able to withstand 50kg of force. As a matter of convenience, please install the hose reel close to your chosen water source. Make sure the leader hose can reach the faucet prior to mounting the hose reel.



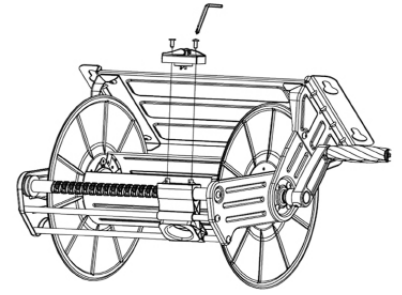
Installing the reel



1. Align the holes of the crank handle and the handle rack, screw on the Phillips screw (M8*12) and tighten with the screwdriver.



- Using the screwdriver to fix the guide system regulator onto the guide system with the two self-tapping screws (M4*14) and tighten them.

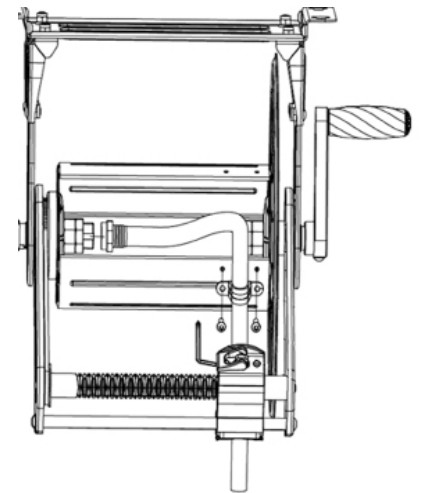


- Pull the latch on the regulator to move the regulator to the handle side. Pass the long hose (not included) through the guide system regulator, then connect the long hose to the water inlet connector and tighten.

Tips: To prevent leakage, it is recommended to use a wrench. Make sure the rubber washer in the connector is placed in the correct position.

- Put the steel hoop on the hose and fix the hoop on the axis near the handle using the two screws (M6*10). Tighten 2 screws at the same time.

Notice: Use one hand to hold the hose, and the other hand to screw on. The steel hoop will be deformed under the force (this is normal).



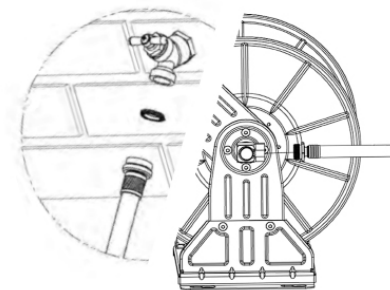
◆ Install to the wall ◆

- Use the product to mark the location of the 4 holes.
- Use a 9/16" drill bit to drill 2.1 in. holes.

Tips: Depth is important. Mark a 2.1 in. depth with tape around the drill bit. If the drilled hole is too deep and the wall anchor rotates, use a matchstick or similar tool to tighten the hole.

- Remove the nuts and washers, hammer the wall anchors into the holes.
- Hang the product on the anchors, put the washers and nuts in, and then use a socket set or a Phillips screwdriver to tighten.

5. Connect the leader hose to the brass connector and your faucet, tighten the connection with a wrench.



Your hose reel is now installed and ready to use!

PRODUCT TESTING

1. Check whether the hose is leaking:
 - Leaking near the faucet
 - Leaking near the hose reel
2. Check if there are washers in the brass connections.

If you have any of the issues mentioned above, please contact the customer service by sending an email to contact@giraffetools.com and provide the corresponding video and order number.

PROBLEM GUIDE

Leakage near the brass connection

Contact customer service team by sending an email to contact@giraffetools.com.

Leakage near the entry point of the leader hose

1. If a leakage occurs where the hose is connected to the reel, try to tighten it. Tighten one turn at a time.
2. Check whether the washer is in the brass connection.

The steel hoop unable to align the hole

Pinch both the screw holes and squeeze.

MAINTENANCE

DO NOT EXPOSE THE HOSE REEL TO THE COLD ENVIRONMENT IN WINTER

In winter, the water in the hose will expand and contract. The water might freeze and in turn crack the hose.

DO NOT USE ANY CHEMICALS

Do not use any chemicals or substances on this hose, such as dialysis, petroleum solvents, lactic acid, etc.

DO NOT IMMERSE THE HOSE REEL IN WATER

Do not immerse the hose reel in water for cleaning. It is easy to wipe the casing with a damp cloth, to extend the life of the hose reel.

WARRANTY

Warranty Period: **TWO (2) years**

Additional Legal Rights for Consumers

For consumers, who are covered by consumer protection laws or regulations in the country of purchase or their county of residence, the benefits conferred by our limited warranty are in addition to all rights and remedies conveyed by such consumer protection laws and regulations, including but not limited to these additional rights.

WHAT IS COVERED BY THIS WARRANTY?

This warranty covers each product and warrants them to be free from defects in workmanship, under normal use and service, for the defined period from the date of purchase by the first end-user. Under this warranty, Giraffe Tools will repair or replace, at its option, any unit that fails to perform according to Giraffe Tools' published specifications during the warranty period.

WHAT IS NOT COVERED BY THIS WARRANTY?

This Warranty does not apply to damage caused by accident, abuse, misuse, fire, earthquake, or other external cause, or to cosmetic damage, including but not limited to scratches, dents, and broken plastic on ports unless failure has occurred due to a defect in materials or workmanship.

ACQUIRING WARRANTY SERVICE

Should the product prove to be defective within the warranty period, return the product to the retail store you purchased the product(s), and Giraffe Tools will at its option, repair or replace the product, to whatever extent Giraffe Tools deem necessary to restore the product to proper operating condition, without any charge to you.

RECOMMENDED PRODUCTS



**Grandfalls
Pressure Washer**



**Retractable Hose
Reel 78-155ft**



**Retractable Hose Reel
- Metal Bracket**



Hose Reel Cart 250ft



**Stainless Steel Hose
Cart 150ft**



**Stainless Steel Hose
Reel 150ft**



**Metal Hose Reel Box
150ft**



Retractable Cord Reel



**Retractable
Air Hose Reel**



**Hybrid Hose with
Swivel Grip 2.5-100ft**



**Hybrid Garden Hose
10-100ft**



**Kink Resistant Garden
Hose 10-90ft**

If you are interested in the above products, you can visit giraffetools.com or search for Giraffe Tools on Amazon.



WE WILL DO THE HEAVY LIFTING



To purchase Giraffe Tools products and more, visit giraffetools.com or search for Giraffe Tools on [Amazon.com](https://www.amazon.com).



giraffetools.com



contact@giraffetools.com



+1 (833)583-0881

(9am - 5pm EST, Mon - Fri, excluding national holidays)

