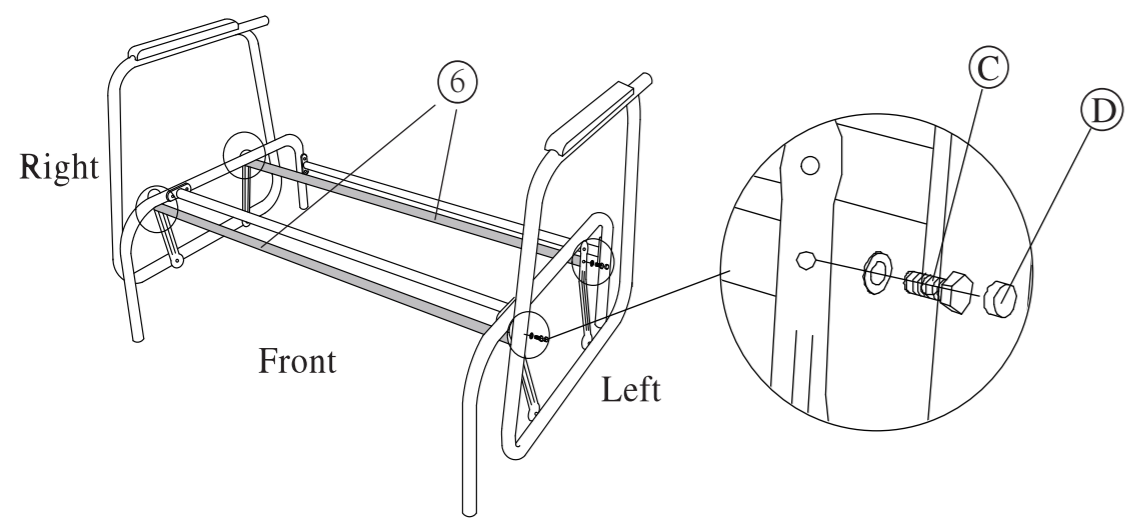


ASSEMBLY INSTRUCTIONS

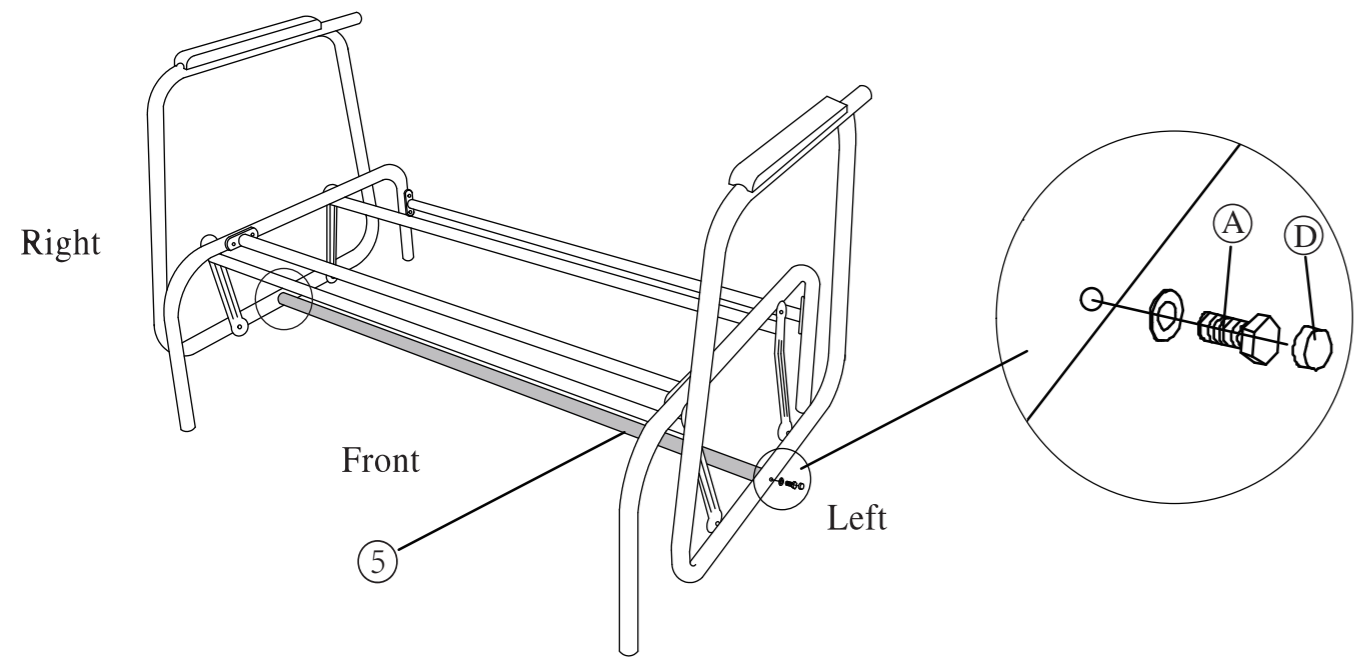
Step 3



Don't fully tighten the bolts until step 6.

- Ⓒ 4 sets of M6 x 15 bolt
 - Ⓓ 4 x M6 bolt caps
- Socket Wrench M6**

Step 4

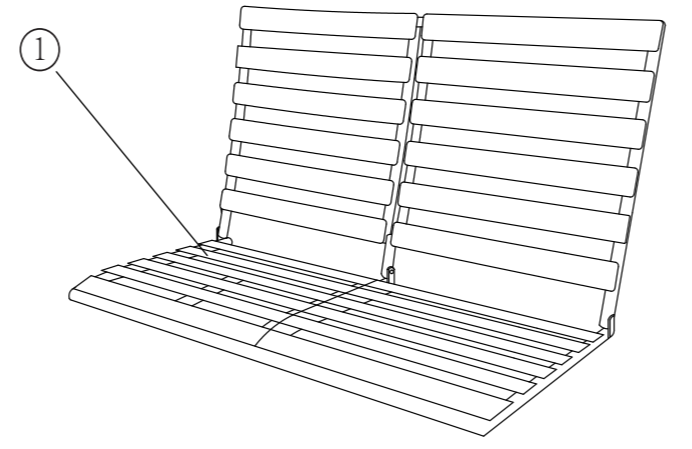


Don't fully tighten the bolts until step 6.

- Ⓐ 2 sets of M6 x 35 bolt
 - Ⓓ 2 x M6 bolt caps
- Socket Wrench M6**

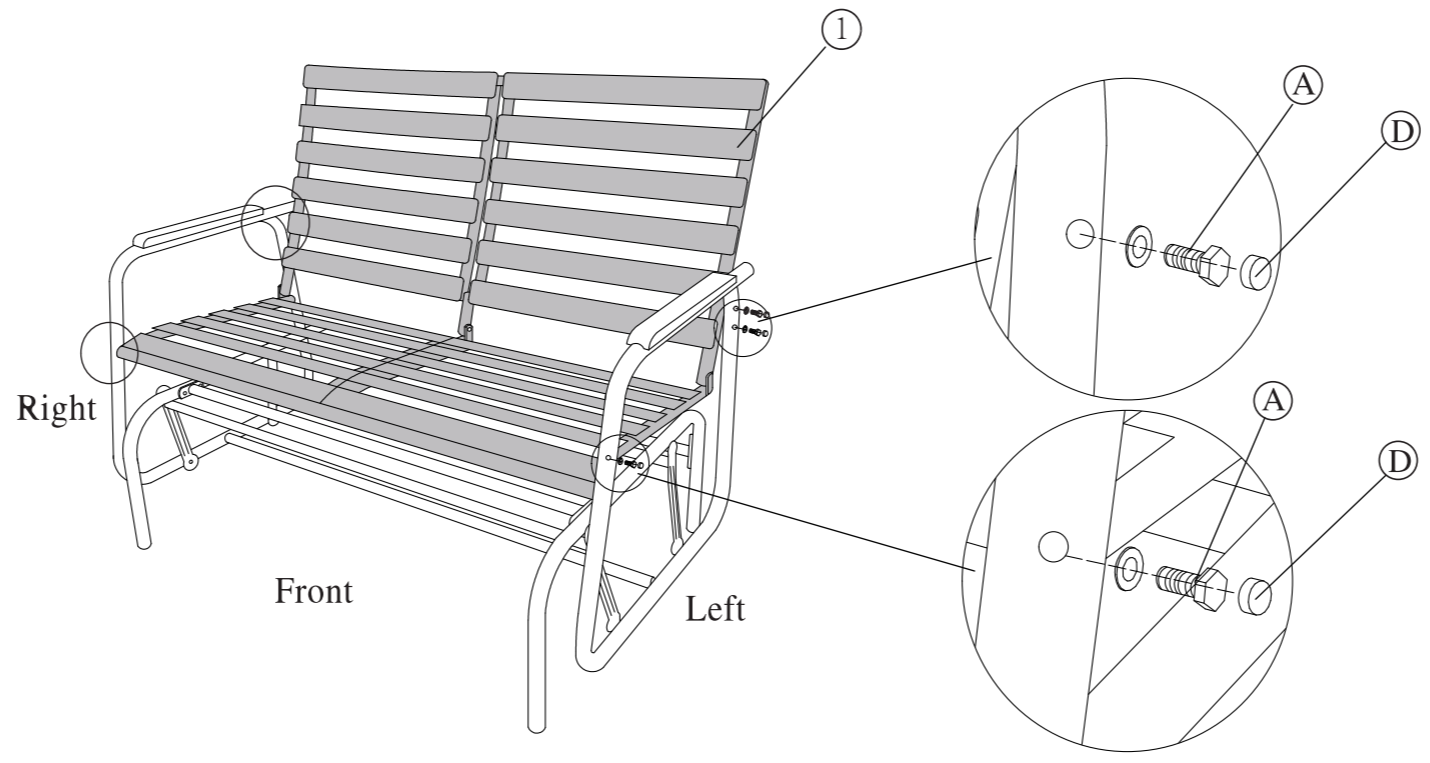
ASSEMBLY INSTRUCTIONS

Step 5



Open the seat and back per the direction of arrow.

Step 6



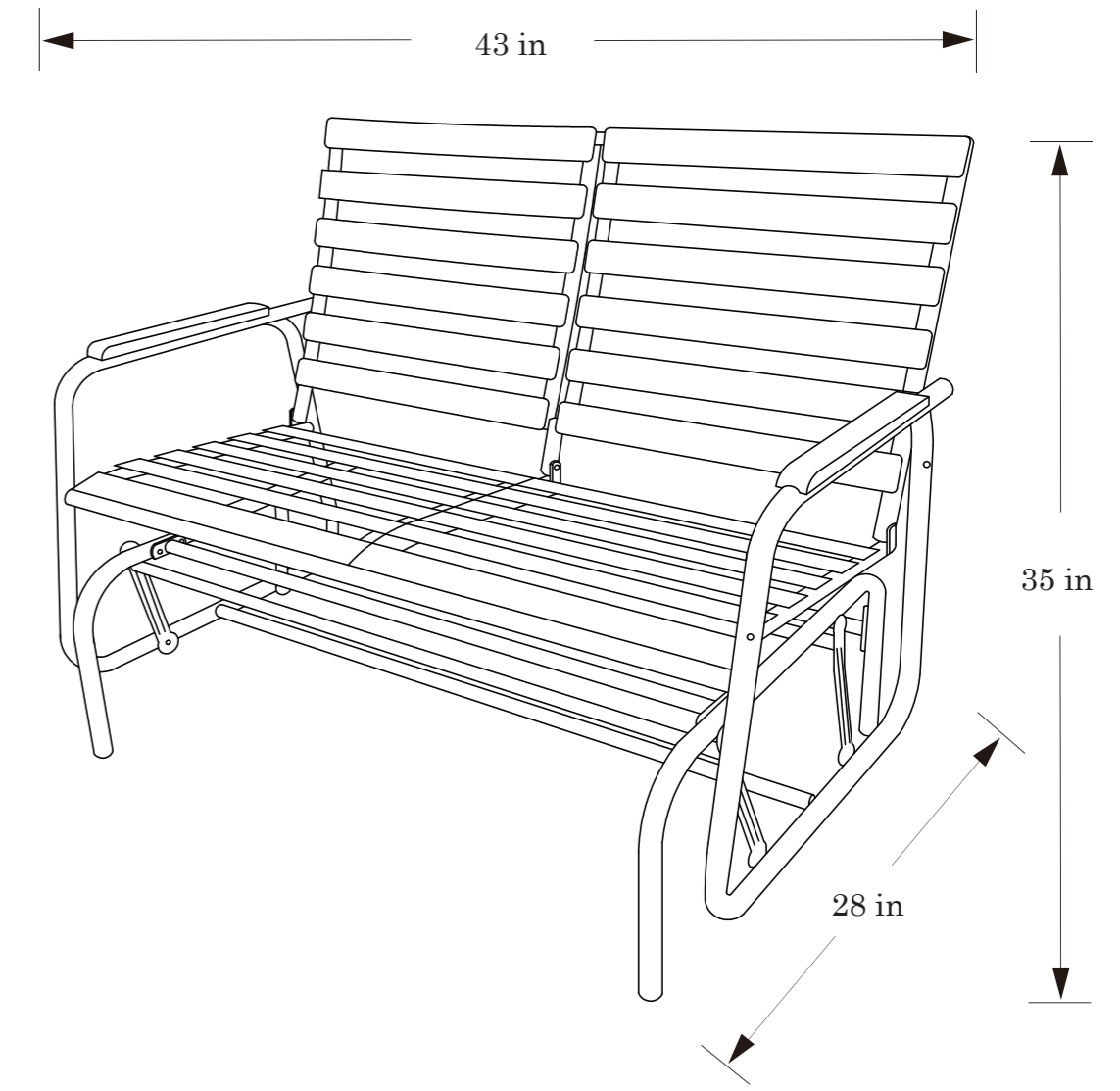
Fully tighten all the bolts once all the bolts in place!

- Ⓐ 6 sets of M6 x 35 bolt
 - Ⓓ 6 x M6 bolt caps
- Socket Wrench M6**



43 IN. LAKESIDE GLIDER
INSTRUCTION MANUAL
 SKU# 6020944

Please read instructions carefully before use. Retain for future reference.
CAUTION: Pinch Point, please keep hands clear from moving parts.



Assembled Dimensions

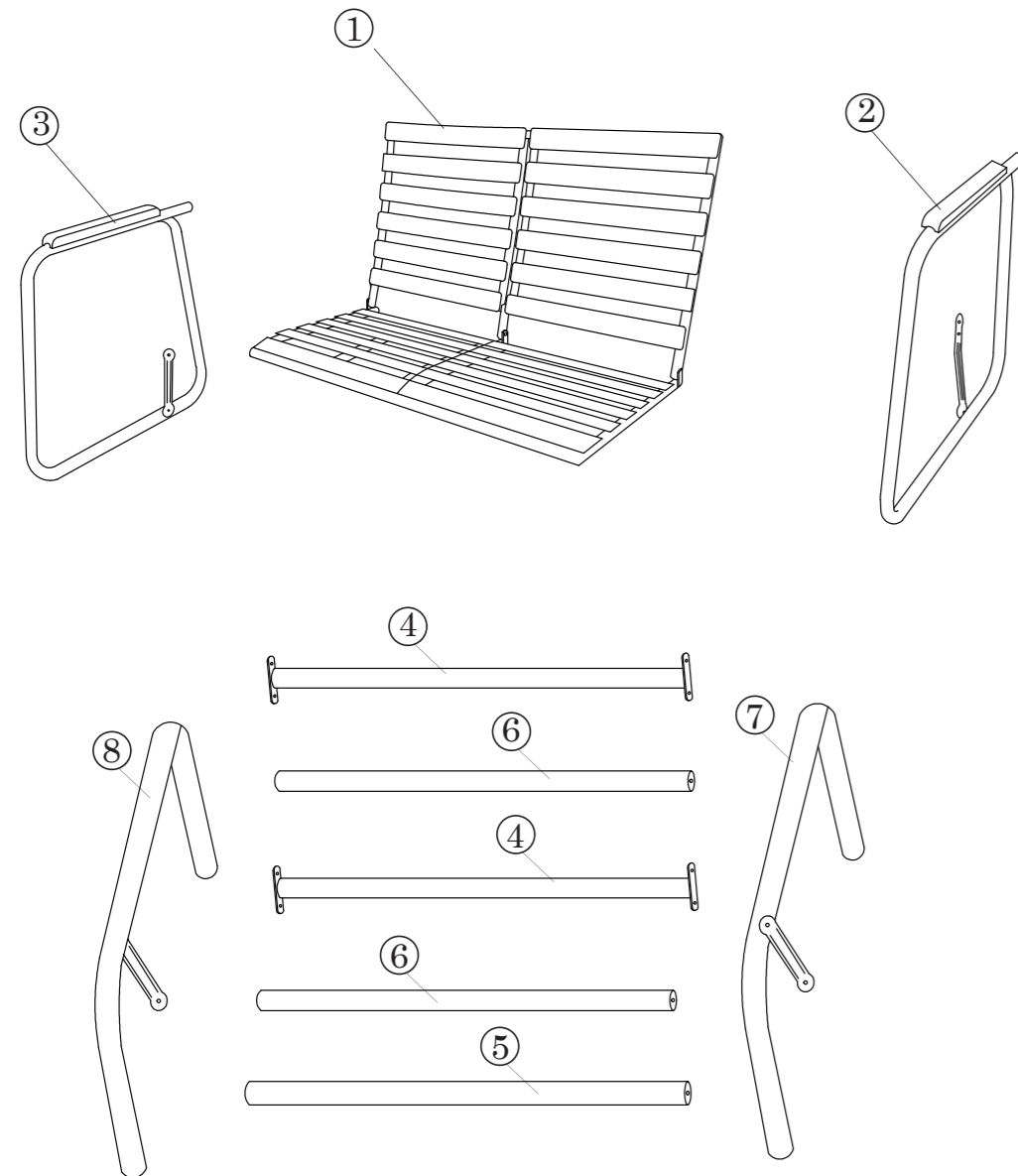
Approximate assembly time: 40 Minutes	People for assembly:	Required assembly space: Floor area 9 ft. x 9 ft. (3 m x 3 m)
--	----------------------	--

Required assembly tools (included): 	CAUTION: Hand tools only, use of power tools could damage product.
---	--

Distributed by:
 TRACTOR SUPPLY COMPANY
 6401 VIRGINIA WAY
 BRENTWOOD, TN 37027
 For customer support,
 call: 1-888-376-9601
 www.TractorSupply.com

PARTS LIST

NO.	Description	Quantity	NO.	Description	Quantity
①	Back and Seat	1	⑤	Support Brace B	1
②	Left Armrest	1	⑥	Support Brace C	2
③	Right Armrest	1	⑦	Left Feet	1
④	Support Brace A	2	⑧	Right Feet	1



HARDWARE LIST

Ⓐ	8 sets of M6 x 35 bolt + 1 spare set		Ⓑ	4 sets of M6 x 20 bolt + 1 spare set	
Ⓒ	12 sets of M6 x 15 bolt + 1 spare set		Ⓓ	24 x M6 bolt caps + 1 spare cap	

TIPS BEFORE YOU START

- * Ensure that all parts are present prior to assembly.
- * Check all packing material carefully before discarding, as some parts may be encased in the packing material.
- * For ease and speed of assembly, it is recommended that all required parts be identified prior to each step.
- * Ensure that you have sufficient space and the number of people (as indicated on page 1) to assemble the product safely.
- * During assembly, take care not to over-tighten any fittings, as this may damage the product.

CARE AND MAINTENANCE

- * Always inspect the product for any obstructions during each use.
- * The manufacturer will not accept responsibility for unauthorized repairs or modifications to this product.
- * To clean, wash the frame and the fabric with mild soap and water; rinse thoroughly; dry the frame completely and allow the fabric to drip dry away from direct sunlight.
- * Do not use bleach, acid, or other solvents on the fabric or frame parts.
- * To prolong the life of your furniture, we recommend storing it in a dry area when not in use or during severe weather conditions.

⚠ WARNING

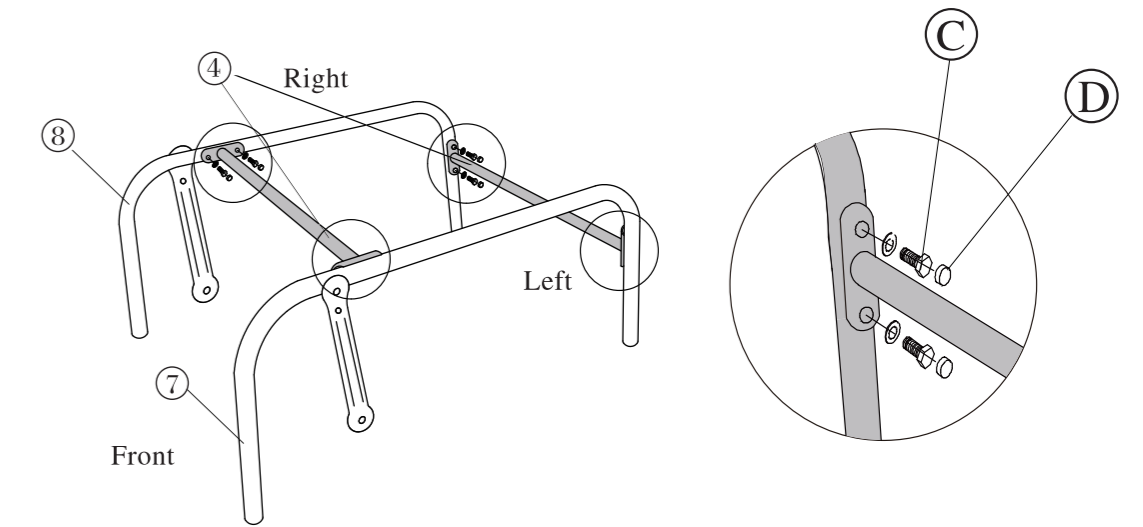
- * Annually:
 - * Check all nuts and bolts for tightness each season, and more often if used frequently.
 - * Oil all metal moving parts with a general - purpose lubricating oil to ensure proper performance and safety.
- * Keep children away during assembly. This item contains small parts which can be swallowed by children. Children should always be under adult supervision while using this product.
- * This product is for residential use only, not for commercial use.

⚠ WEIGHT LIMIT

Chair: 450 lbs (204.12 kg)

ASSEMBLY INSTRUCTIONS

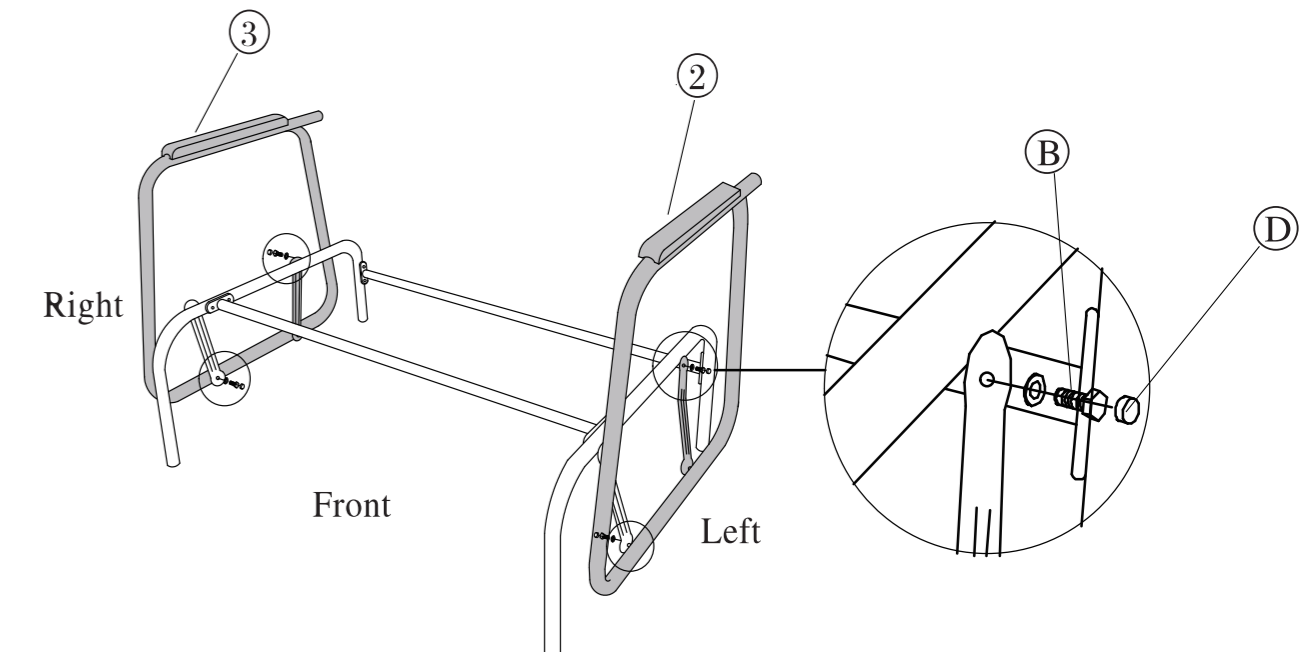
Step 1



Fully tighten all the bolts once all the bolts in place!

Ⓒ	8 sets of M6 x 15 bolt		
Ⓓ	8 x M6 bolt caps		

Step 2



Don't fully tighten the bolts until step 6.

Ⓑ	4 sets of M6 x 20 bolt		
Ⓓ	4 x M6 bolt caps		