

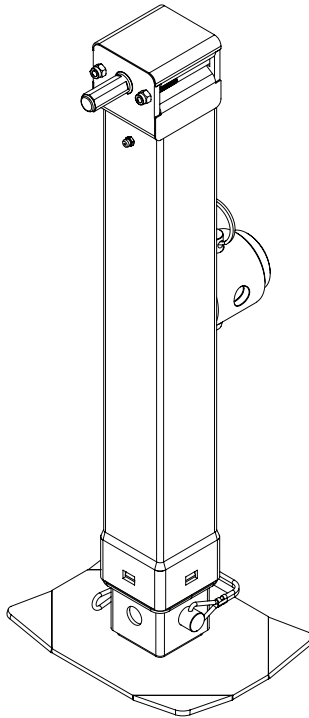


# TVJX7-P

---

## OPERATING MANUAL

Rev 03.06.25



**MOVE FORWARD.**



## WARNING

Carefully read and understand all the instructions before connecting your new Trailer Valet Drill Jack.

Failure to follow these guidelines may result in serious injury to persons and property for which Trailer Valet will not be held liable. Do not allow persons to operate or assemble this unit until they have read this manual and have developed a thorough understanding of how the unit works.

## THANK YOU FOR YOUR PURCHASE!

Congratulations on your purchase of the Trailer Valet JX7-P. For your future reference, please complete the owner's record below:

Purchase Date: \_\_\_\_\_

Order No.: \_\_\_\_\_

Retailer: \_\_\_\_\_

Be sure to keep your receipt, owner's manual, and warranty information in a safe place.

## TABLE OF CONTENTS

WARNING AND TABLE OF CONTENTS.....	2
IMPORTANT SAFETY INFORMATION.....	3
SPECIFICATIONS.....	4
ASSEMBLY.....	5
OPERATING INSTRUCTIONS.....	6
LIMITED MANUFACTURER'S WARRANTY.....	7



# IMPORTANT SAFETY INFORMATION

**Failure to heed these warnings may result in personal injury and/or property damage:**

1. DO NOT leave your trailer free standing without the use of wheel chocks.
2. DO NOT submerge the jack in water (salt or fresh) or leave it in water for prolonged periods, since this can damage the gears and erode lubricants.
3. Carefully read all instructions. The operator of the jack must exercise common sense, caution, and full judgment when assessing situations not covered or cautioned in this manual.
4. The Trailer Valet JX is designed for specific applications only. Trailer Valet will not be responsible for issues arising from modifications made onto the device. Do not modify the device or use the device for any application other than its intended purpose. Do not exceed the designated weight limits.
5. As with all devices with moving parts, do not wear excessively loose clothing as it may become caught, resulting in injury. Tie back and secure long hair.
6. This product must be installed and used in strict accordance with these instructions.
7. Always read and understand your drill/driver operator's manual and instructions.
8. Before each use of the Trailer Valet JX, check for damaged parts. Carefully inspect the device for any part that appears to be damaged to determine if the device will operate properly. Check for alignment and secure mounting of all moving parts. If the device is neither aligned, secured, or both: DO NOT use the device.
9. When servicing, use only factory replacement parts.
10. Have wheel chocks in place before/after use and ready in case of emergency.
11. Never exceed the maximum rated capacity. Refer to the specifications section of this operating manual or decals on the product to obtain rated capacity. If uncertain, contact Customer Support at (844) 846-9344 or email: [support@trailervalet.com](mailto:support@trailervalet.com).
12. The Trailer Valet JX is designed for vertical loading. Excessive side forces may cause failure and must be avoided.
13. The use of gloves is recommended while attaching the device to the trailer.

Phone: (844) 846-9344

Email: [support@trailervalet.com](mailto:support@trailervalet.com)

Website: [www.trailervalet.com](http://www.trailervalet.com)

**SAVE THESE INSTRUCTIONS**



# SPECIFICATIONS

The Trailer Valet JX Series is a line of manual hand-crank trailer jacks that have the versatility to be powered using any standard 20-24V drill and a Trailer Valet Drill Attachment. Designed for consumers to make hitching and adjusting quick and easy in comparison to standard hand-crank jacks, the new JX7-P comes with a 7,000 lbs static capacity and a larger side mount bracket. Each unit comes with a detachable hand crank, drill attachment, mount bracket hardware, and a drop leg footplate.

**Static Capacity:** 7,000 lbs

**Lift Capacity (with Crank Handle):** 1,800 lbs

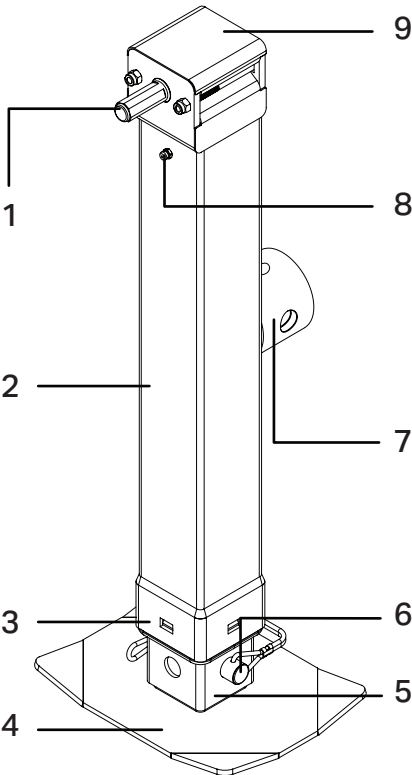
**Lift Capacity (with Drill):** 900 lbs

**Gear Ratio:** 3:4

**Mount Type:** Pipe Mount

**Jack Extension:** 26.6 inches (13.6 inches screw travel, 13.0 inches drop leg extension)

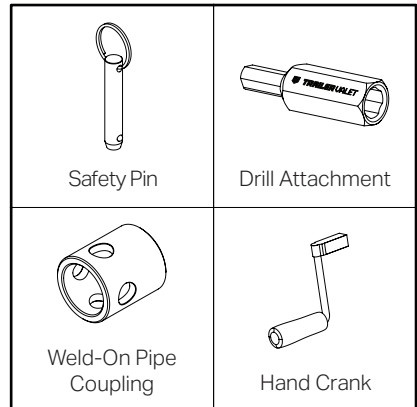
**Weight:** 25.9 lbs



## The Trailer Valet JX7-S

1. Drill Drive Shaft
2. Outer Tube
3. Weather Sleeve
4. Foot Plate
5. Inner Tube
6. Clevis Pin
7. Pipe Mount
8. Grease Fitting
9. Gear Cover

## Includes:



Upon removing items from packaging, it is very important to thoroughly inspect all parts of the system. Any part that is missing or damaged must be immediately replaced before using the device.

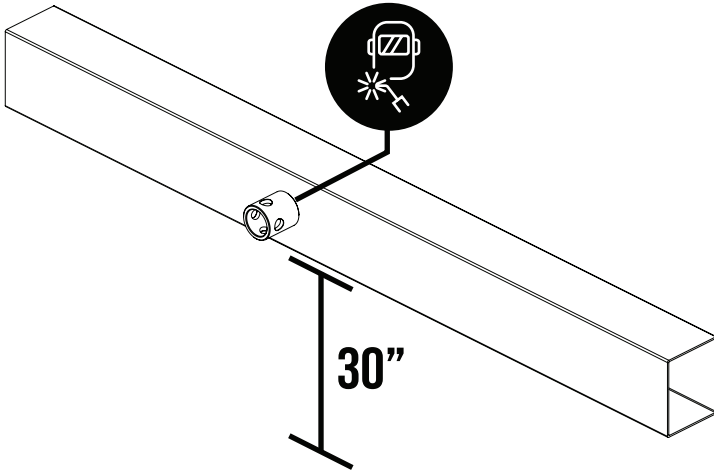
Contact Trailer Valet Customer Service at 1-844-846-9344 or [Support@TrailerValet.com](mailto:Support@TrailerValet.com)



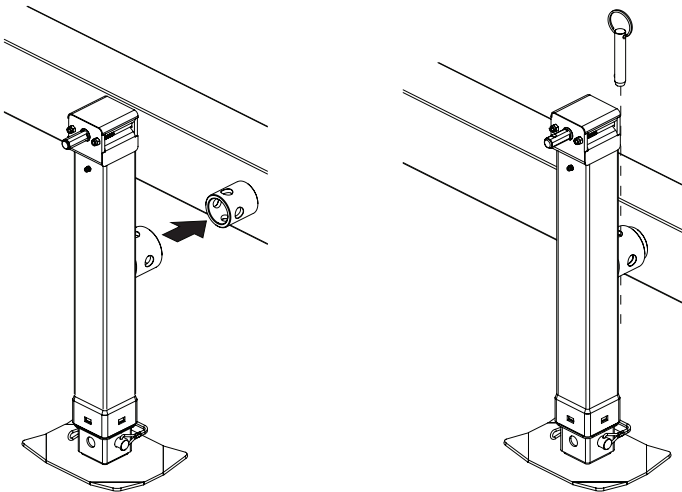
## ASSEMBLY

Prior to install, a mount cylinder must be welded to your trailer in a desired mount location. An existing mount can be used or the mount cylinder included with the unit can be installed. If assistance is needed to weld on the cylinder, please consult your trailer dealer or a welding professional.

**STEP 1:** If necessary, install the mounting cylinder to your trailer frame. Ensure that the jack will have adequate space to be able to switch into a stowed position (horizontal) without hindrance. Raise your trailer tongue to give adequate space to install the jack: approximately 30+ vertical inches from the ground.



**STEP 2:** Place the mount cylinder of the jack over the mount cylinder of the trailer frame. Insert the mounting Safety Pin through the connection point.



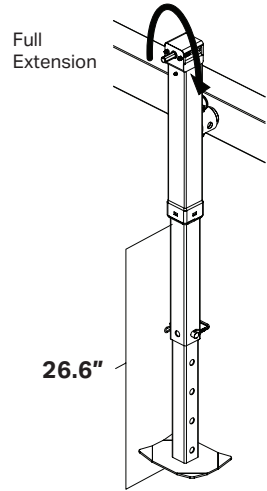
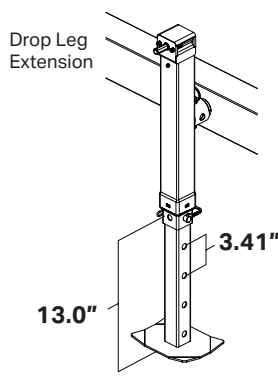
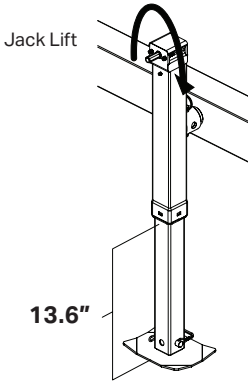


# OPERATING INSTRUCTIONS

## OPTION 1: MANUAL OPERATION

**STEP 1:** Attach the Hand Crank to the driveshaft located at the top of the unit. Turning the handle clockwise will extend the jack. Turning the handle counter-clockwise will retract the jack.

**STEP 2:** Lower the drop leg as needed for additional extension of the jack.



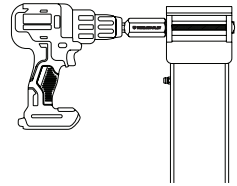
## OPTION 2: DRILL OPERATION WITH THE DRILL ADAPTER

**STEP 1:** The Drill Adapter can be used with any standard 20 to 24 volt, 1/2 inch chuck, consumer drill. *Corded drills and impact drills are not recommended.*

**STEP 2:** Slot the Drill Adapter into your drill chuck and secure tightly to avoid the adapter slipping.

**STEP 3:** When using an electric drill, it will have high initial torque if the drill trigger is pulled rather than squeezed. For proper use, hold the drill firmly and begin to squeeze the trigger slowly, increasing the power up to an appropriate speed.

**NOTE:** When using a power drill, be sure your battery pack is fully charged before use. Follow your drill manufacturer's recommendations and instructions.



## STORING THE DEVICE (IF APPLICABLE)

After use, lower your jack until your trailer frame sits level and remove the drill adapter/crank handle.

## MAINTENANCE

The recommended lubrication schedule for the JX is to grease the components through the grease fitting every 90 days. After adding the grease, extend and retract the jack several times to distribute the grease evenly over the components.



# LIMITED MANUFACTURER'S WARRANTY

Trailer Valet warrants for one year from the purchase date, that the product will be in working condition and will be free from manufacturing defects, provided that installation and use of the product is in accordance with product instructions. This warranty is only made to the original consumer purchaser and is not transferable.

**ALL OTHER WARRANTIES ARE HEREBY DISCLAIMED.**

**THIS WARRANTY DOES NOT COVER:**

1. normal wear and tear or normal aging of the product;
2. consumable parts designed to diminish over time, unless failure occurred due to a manufacturing defect;
3. cosmetic damage, including but not limited to scratches and dents;
4. damage through accident, abuse, neglect, misuse, natural events, or other external causes;
5. damage through misapplication, overloading, or improper installation;
6. damage due to improper maintenance and repair;
7. damage as a result from secondary shipping and handling; or
8. product alterations.

**LIMITATION OF LIABILITY:**

EXCEPT AS PROVIDED IN THIS WARRANTY AND TO THE MAXIMUM EXTENT PERMITTED BY LAW, TRAILER VALET IS NOT RESPONSIBLE FOR ANY DIRECT, INCIDENTAL OR CONSEQUENTIAL DAMAGES OR INJURIES RESULTING FROM ANY BREACH OF WARRANTY OR CONDITION, INCLUDING BUT NOT LIMITED TO LOSS OF USE; LOSS OF REVENUE; LOSS OF ACTUAL OR ANTICIPATED PROFITS; LOSS OF BUSINESS; LOSS OF OPPORTUNITY; LOSS OF GOODWILL; LOSS OF REPUTATION; OR ANY DIRECT OR INDIRECT OR CONSEQUENTIAL LOSS OR DAMAGE WHATSOEVER CAUSED INCLUDING THE REPLACEMENT OF EQUIPMENT AND PROPERTY.

**CUSTOMER RESPONSIBILITIES:**

Customers may be required to provide proof of purchase date, respond to questions designed to assist with diagnosing potential issues and follow Trailer Valet's directions to make a claim on your warranty.

**TO MAKE A WARRANTY CLAIM:**

Contact us either through:

Phone: (844) 846-9344

Email: [support@trailer valet.com](mailto:support@trailer valet.com)

Office: 16021 Euclid Ave., Chino, CA, 91708

[www.trailer valet.com](http://www.trailer valet.com)

**TRAILER VALET'S RESPONSIBILITIES:**

1. We will try to assist you in operating or repairing your product.
2. If we determine a replacement part is necessary, we will send you a free replacement part.
3. If we determine a replacement will not resolve your problem, we may ask you to return your product to our warehouse. Upon receiving the product at our warehouse, Trailer Valet will inspect the product.
4. If we determine that the product has a manufacturing defect we will send you a replacement part. If replacement of the part or repair of the unit is not possible, Trailer Valet will send you a replacement product.
5. Customers who purchased the product from a third-party vendor are not eligible for a refund from Trailer Valet.

**TRAILER VALET SHALL HAVE THE EXCLUSIVE RIGHT TO DETERMINE IF A UNIT IS COVERED UNDER ITS WARRANTY POLICY.**

**SEVERABILITY:**

The invalidity, illegality or unenforceability of any provision of this warranty shall not render the other provisions invalid, illegal or unenforceable.

**GOVERNING LAW AND JURISDICTION:**

This warranty shall be governed by the laws of the State of California. The courts of California shall have the exclusive right to adjudicate any disputes arising under or in connection to this warranty.

Copyright 2025 by Supertech S. Corporation. All rights reserved. No portion of this manual or any artwork contained herein may be reproduced in any shape or form without the express written consent of Supertech S. Corporation.



For further information or if you have any questions, please contact:

**SUPERTECH S. CORP.**  
Customer Service: (844) 846-9344  
Email: [support@trailer valet.com](mailto:support@trailer valet.com)  
[WWW.TRAILERVALET.COM](http://WWW.TRAILERVALET.COM)