


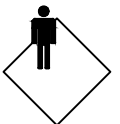
Distributed by:
TRACTOR SUPPLY COMPANY
5401 VIRGINIA WAY
BRENTWOOD, TN 37027
For customer support,
call: 1-888-376-9601
www.TractorSupply.com

Assembled Dimensions

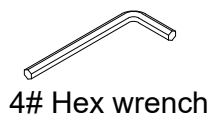
Approximate assembly time: **45 Minutes**

People for assembly: 

Required assembly space:
Floor area 8 ft. x 7 ft. (2.5 m x 2 m)



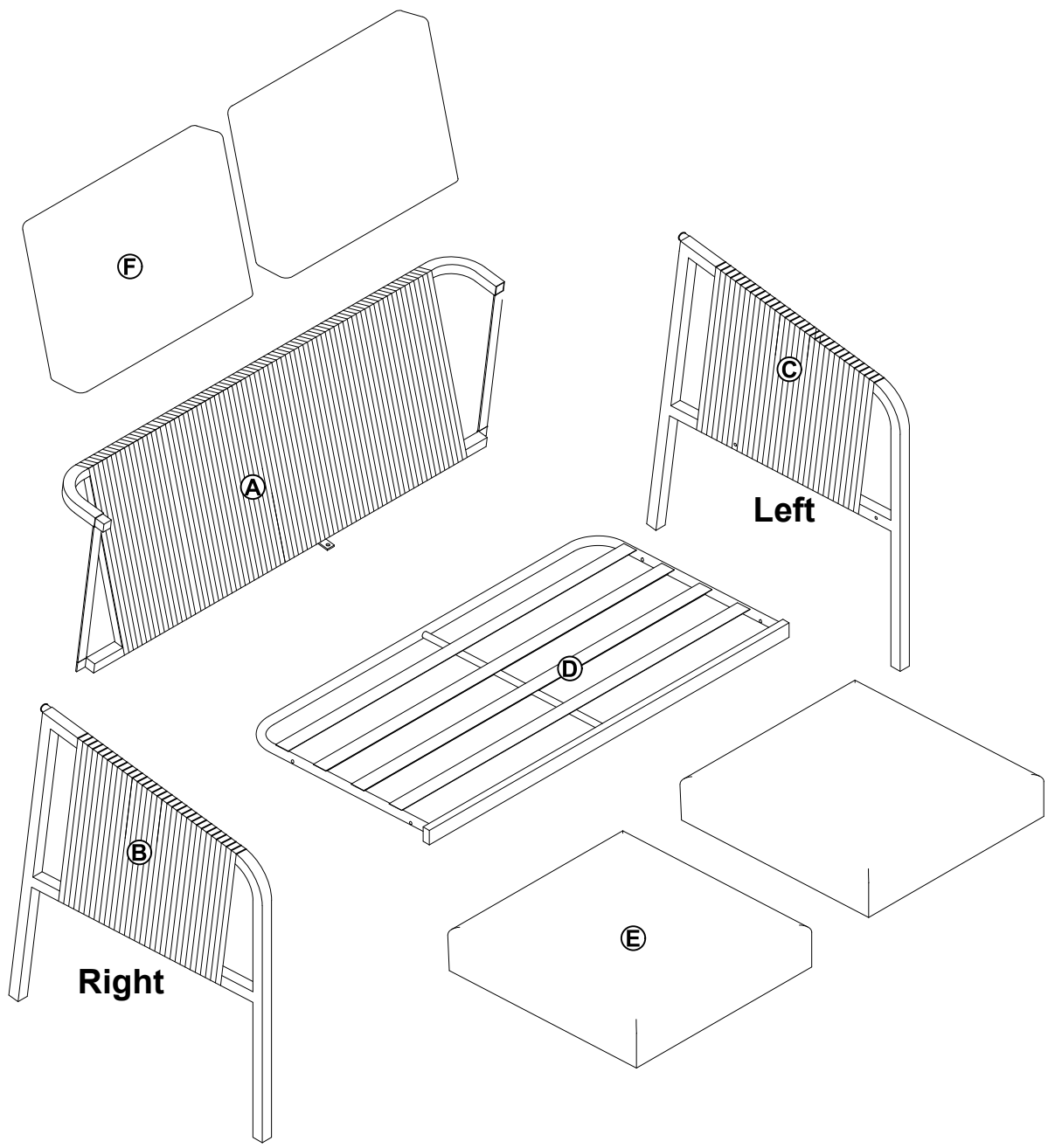
Required assembly tools (included):



**CAUTION: Hand tools only,
use of power tools
could damage product.**

PARTS LIST

NO.	Description	Quantity
Ⓐ	Back	1
Ⓑ	Right Armrest	1
Ⓒ	Left Armrest	1
Ⓓ	Seat	1
Ⓔ	Seat Cushion	2
Ⓕ	Back Cushion	2



HARDWARE LIST

Ⓒ 5 pcs M6 x 15L bolt + 1 spare pc



Ⓗ 4 pcs M6 x 40L bolt + 1 spare pc



Ⓘ 9 pcs M6 washer + 1 spare pc



Ⓙ 1 pc 4# hex wrench



TIPS BEFORE YOU START

1. Ensure that all parts are present prior to assembly.
2. Check all packing material carefully before discarding, as some parts may be encased in the packing material.
3. For ease and speed of assembly, it is recommended that prior to each step all required parts are identified.
4. Ensure that you have sufficient space and people (as indicated on page I) to assemble product safely.
5. During assembly take care not to over-tighten any fittings, as this may damage the product.

CARE AND MAINTENANCE

- Outdoor use.
- Periodically check all fittings and re-tighten as necessary.

WARNING

- Keep children at a safe distance to prevent accidents.
- Inspect visually before each use and ensure all hardware is properly tightened.
- Do not stand on chair seats or tabletop.
- This product should only be used on firm, level ground.

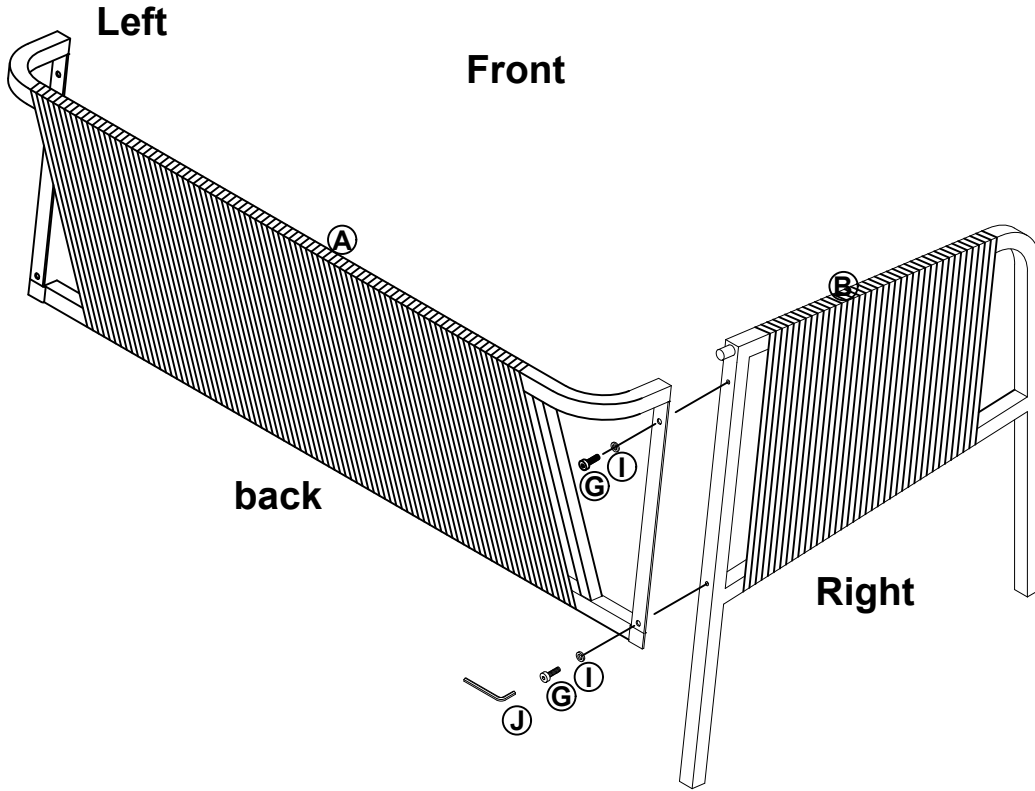
CAUTION: Pinch point. Please keep hands clear from moving parts.

WEIGHT LIMIT

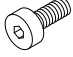


Chair: 400lbs(181kgs)

ASSEMBLY INSTRUCTIONS

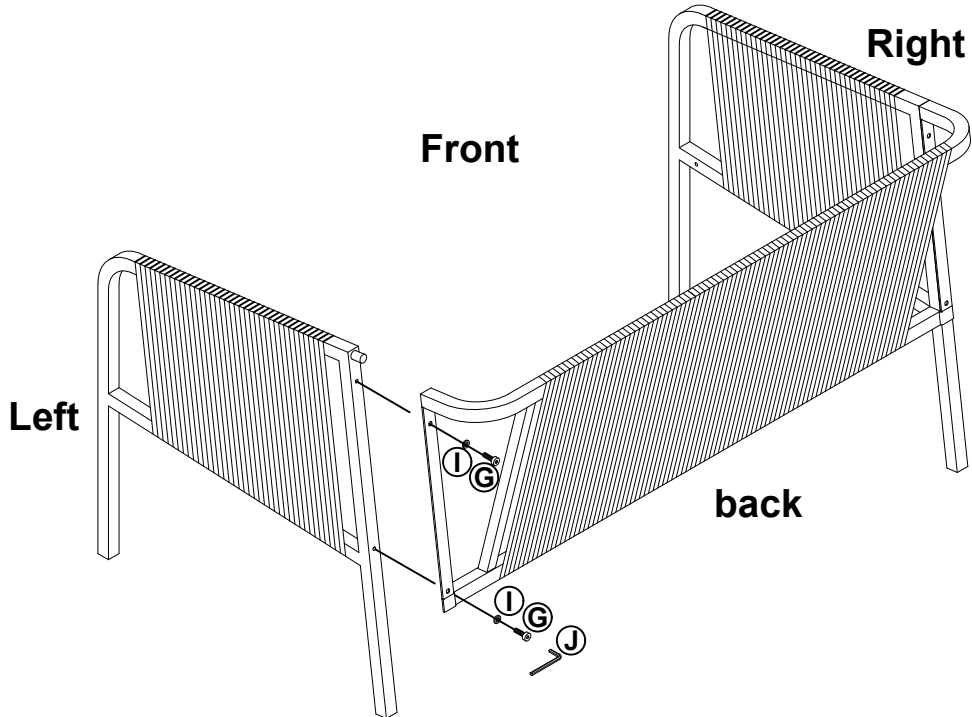
Step 1






Don't fully tighten the bolts until step 4.

<p>Ⓒ 2 pcs M6 x 15L bolt</p>		<p>Ⓙ 4# hex wrench</p>
<p>Ⓛ 2 pcs M6 washer</p>		

Step 2

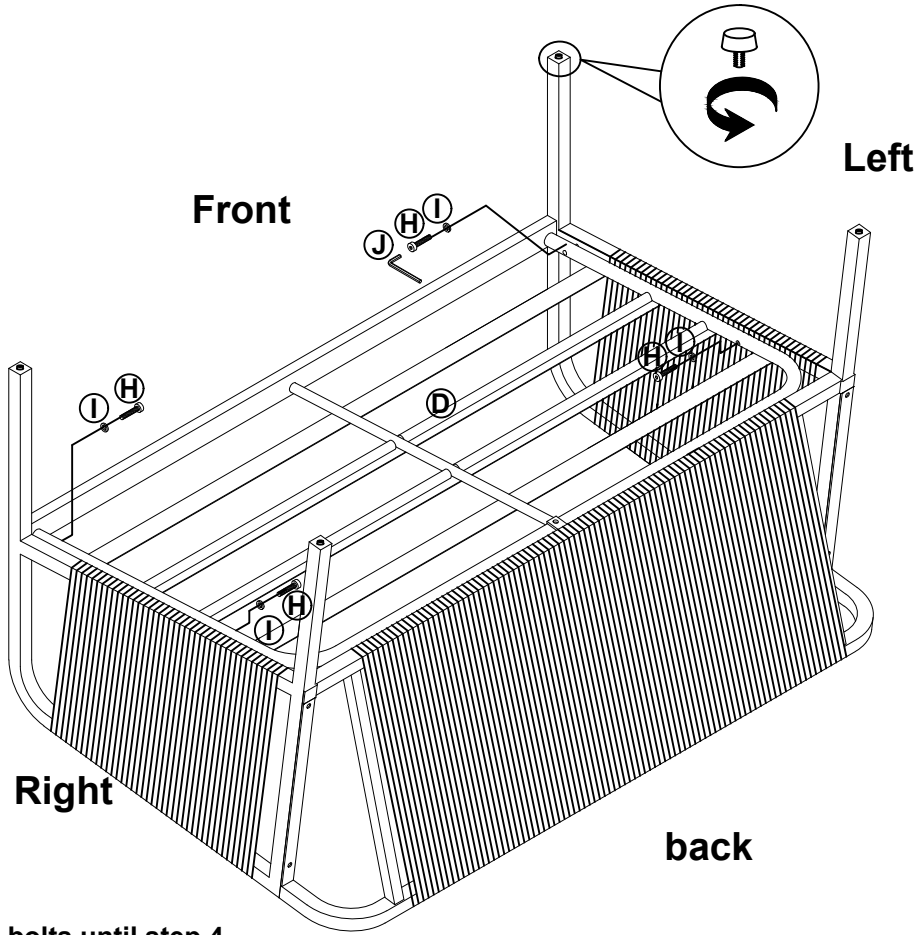


Don't fully tighten the bolts until step 4.

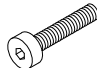

<p>Ⓒ 2 pcs M6 x 15L bolt</p>		<p>Ⓙ 4# hex wrench</p>
<p>Ⓛ 2 pcs M6 washer</p>		


ASSEMBLY INSTRUCTIONS

Step 3

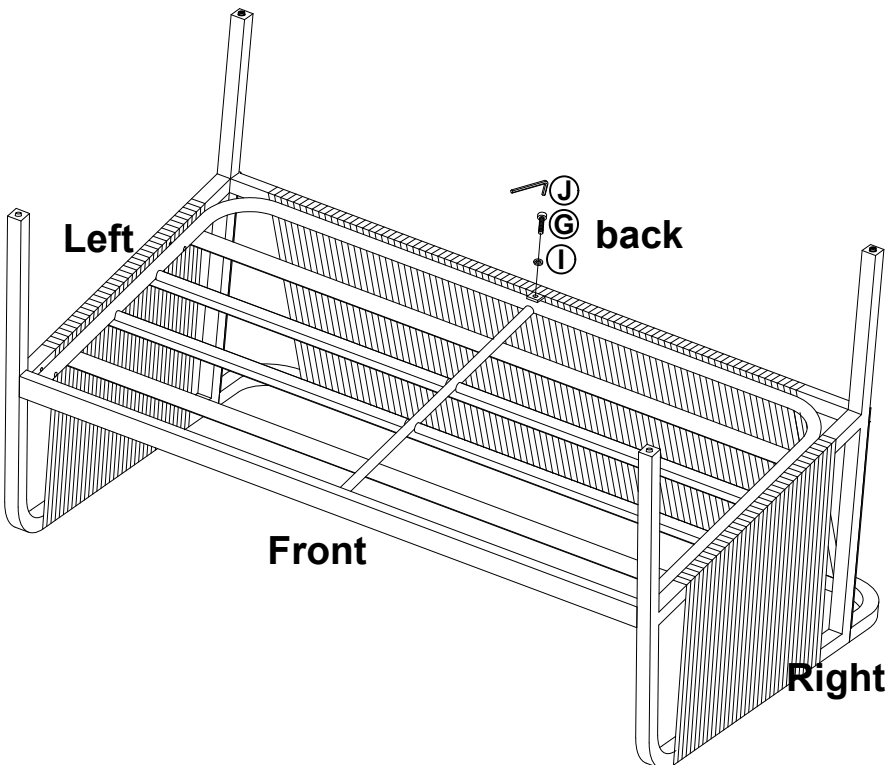


Don't fully tighten the bolts until step 4.

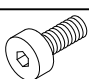

- H 4 pcs M6 x 40L bolt 
- I 4 pcs M6 washer 


- J 4# hex wrench 

Step 4



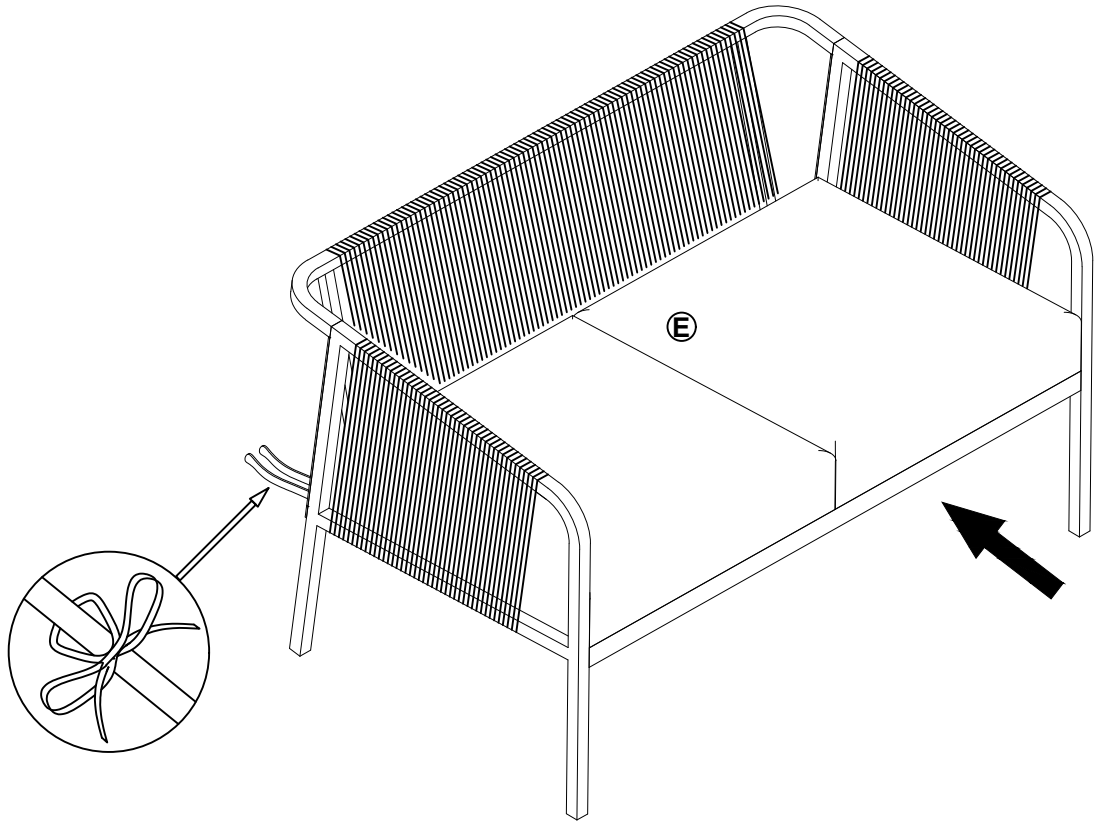
Fully tighten all the bolts once all the bolts are in place!

- G 1 pc M6 x 15L bolt 
- I 1 pc M6 washer 

- J 4# hex wrench 

ASSEMBLY INSTRUCTIONS

Step 5



Step 6

