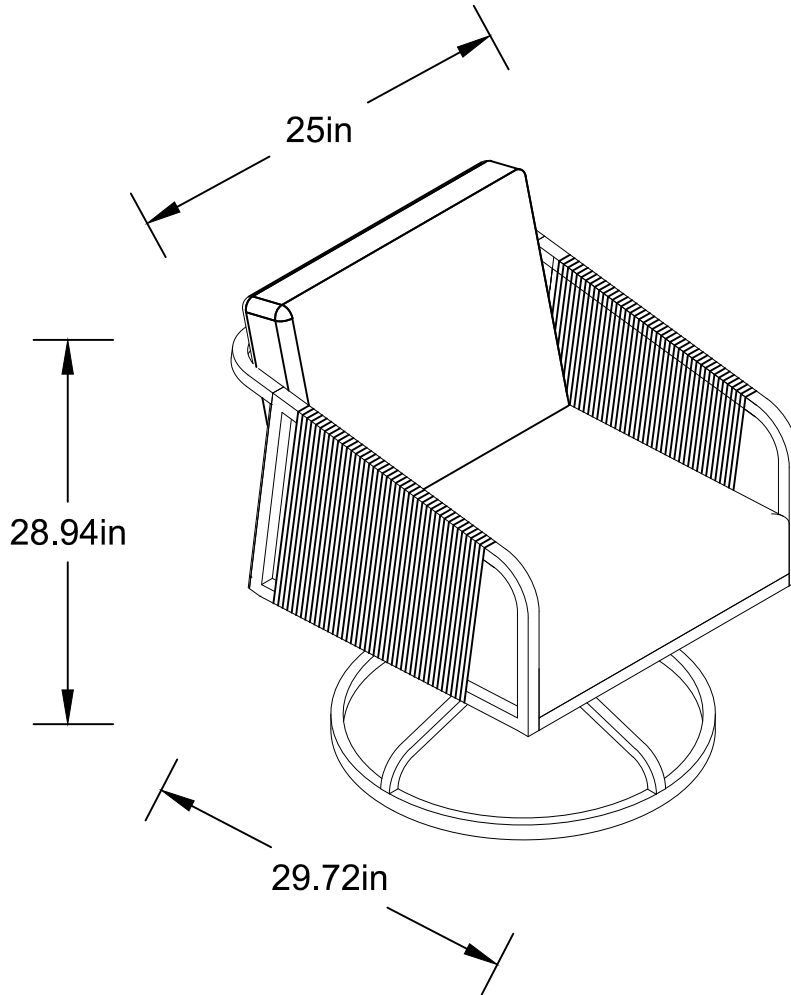




CAUTION: Pinch Point. Please keep hands clear from moving parts.




Distributed by:
TRACTOR SUPPLY COMPANY
5401 VIRGINIA WAY
BRENTWOOD, TN 37027
For customer support,
call: 1-888-376-9601
www.TractorSupply.com

Assembled Dimensions

<p>Approximate assembly time: 40 Minutes</p>	<p>People for assembly: </p>	<p>Required assembly space: Floor area 8 ft. x 7 ft. (2.5 m x 2 m) </p>
---	---	--

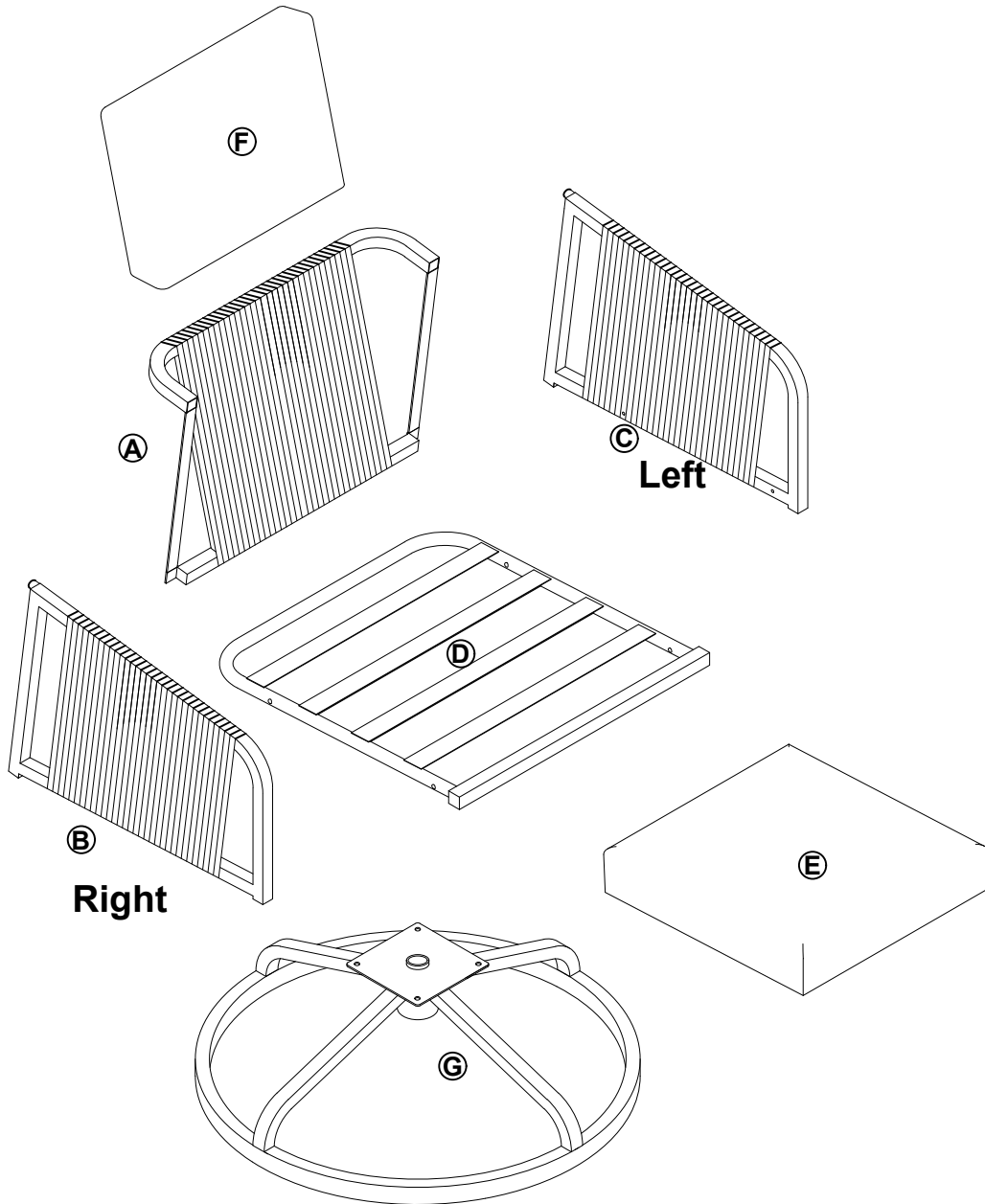
Required assembly tools (included):

- 
4# Hex wrench
- 
5# Hex wrench
- 
13# open-end wrench


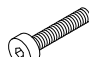
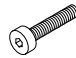






CAUTION: Hand tools only, use of power tools could damage product.

PARTS LIST

NO.	Description	Quantity
Ⓐ	Back	1
Ⓑ	Right Armrest	1
Ⓒ	Left Armrest	1
Ⓓ	Seat	1
Ⓔ	Seat Cushion	1
Ⓕ	Back Cushion	1
Ⓖ	Base	1



HARDWARE LIST

<p>① 4 pcs M6 x 15L bolt + 1 spare pc</p> 	<p>④ 4 pcs M8 x 45L bolt + 1 spare pc</p> 
<p>② 4 pcs M6 x 40L bolt + 1 spare pc</p> 	<p>⑤ 1 pc 5# hex wrench</p> 
<p>③ 8 pcs M6 washer + 1 spare pc</p> 	<p>⑥ 1 pc 4# hex wrench</p> 
<p>⑦ 8 pcs M8 washer + 1 spare pc</p> 	<p>⑧ 1 pc 13# open-end wrench</p> 
<p>⑨ 4 pcs M8 nut + 1 spare pc</p> 	

TIPS BEFORE YOU START

1. Ensure that all parts are present prior to assembly.
2. Check all packing material carefully before discarding, as some parts may be encased in the packing material.
3. For ease and speed of assembly, it is recommended that prior to each step all required parts are identified.
4. Ensure that you have sufficient space and people (as indicated on page I) to assemble product safely.
5. During assembly take care not to over-tighten any fittings, as this may damage the product.

CARE AND MAINTENANCE

- Outdoor use.
- Periodically check all fittings and re-tighten as necessary.

WARNING

- Keep children at a safe distance to prevent accidents.
- Inspect visually before each use and ensure all hardware is properly tightened.
- Do not stand on chair seats or tabletop.
- This product should only be used on firm, level ground.

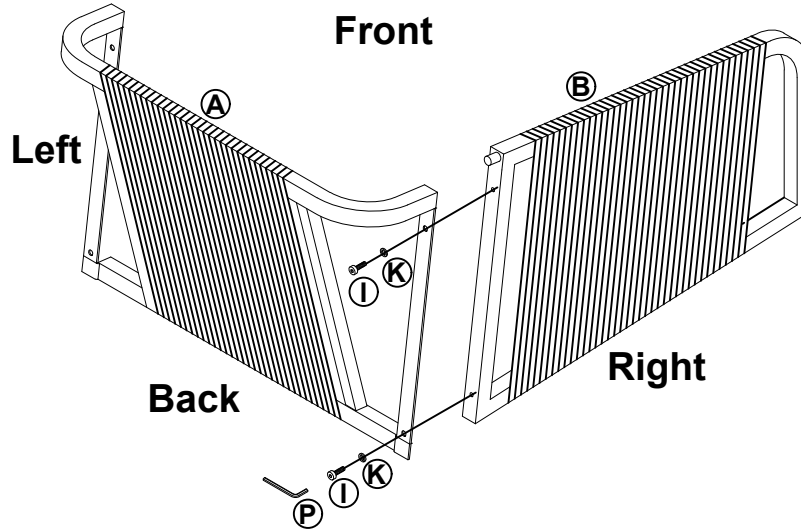
CAUTION: Pinch point. Please keep hands clear from moving parts.

WEIGHT LIMIT

Chair: 250lbs(113 kgs)

ASSEMBLY INSTRUCTIONS

Step 1



Don't fully tighten the bolts until step 4.

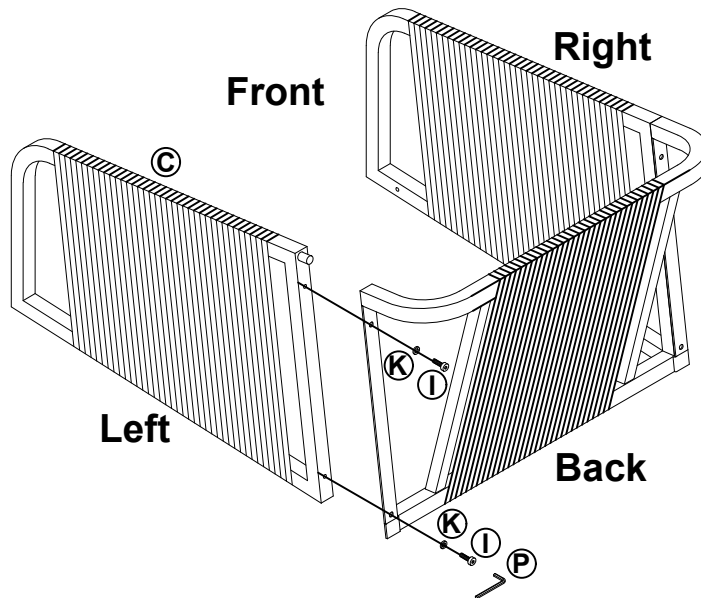
ⓐ 2 pcs M6 x 15L bolt 

ⓑ 2 pcs M6 washer 

ⓓ 4# hex wrench



Step 2



Don't fully tighten the bolts until step 4.

ⓐ 2 pcs M6 x 15L bolt 

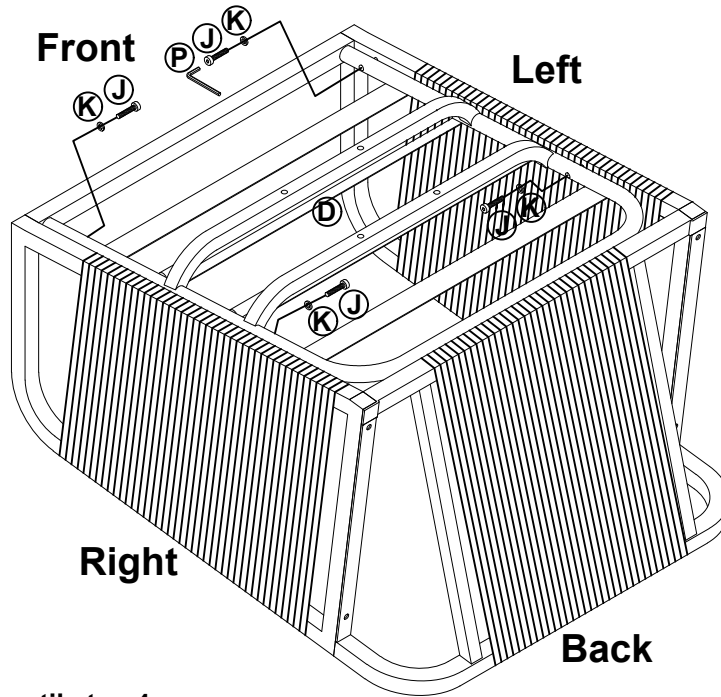
ⓑ 2 pcs M6 washer 

ⓓ 4# hex wrench



ASSEMBLY INSTRUCTIONS

Step 3



Don't fully tighten the bolts until step 4.

ⓐ 4 pcs M6 x 40L bolt

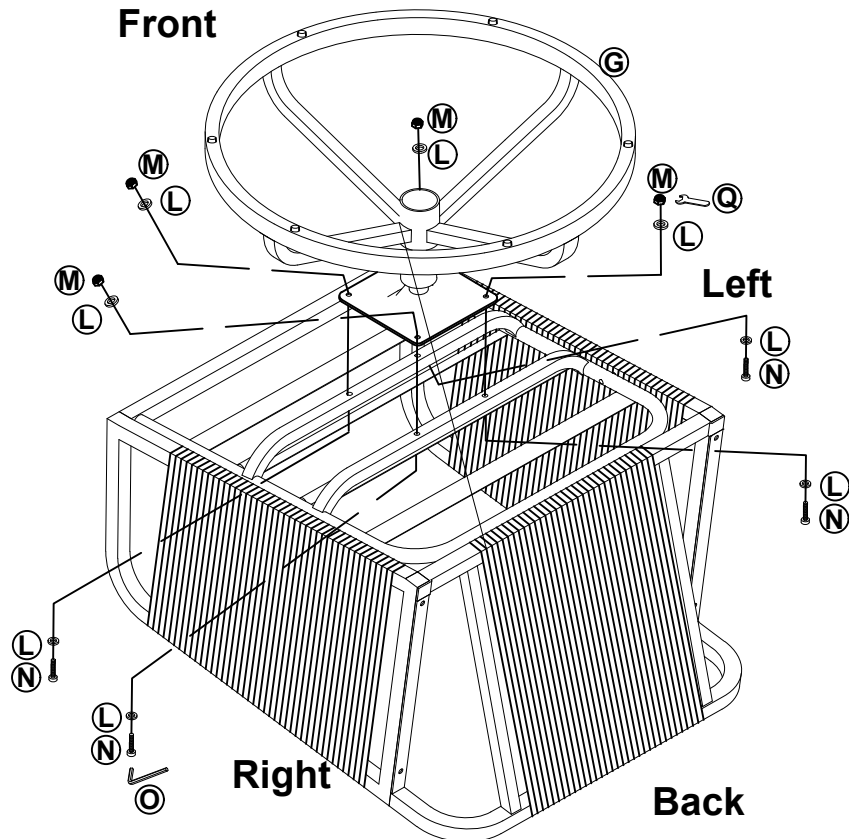


Ⓟ 4# hex wrench

Ⓚ 4 pcs M6 washer



Step 4



Fully tighten all the bolts once all the bolts are in place!

Ⓝ 4 pcs M8 x 45L bolt



Ⓞ 5# hex wrench

Ⓠ 13# open-end wrench

Ⓛ 8 pcs M8 washer

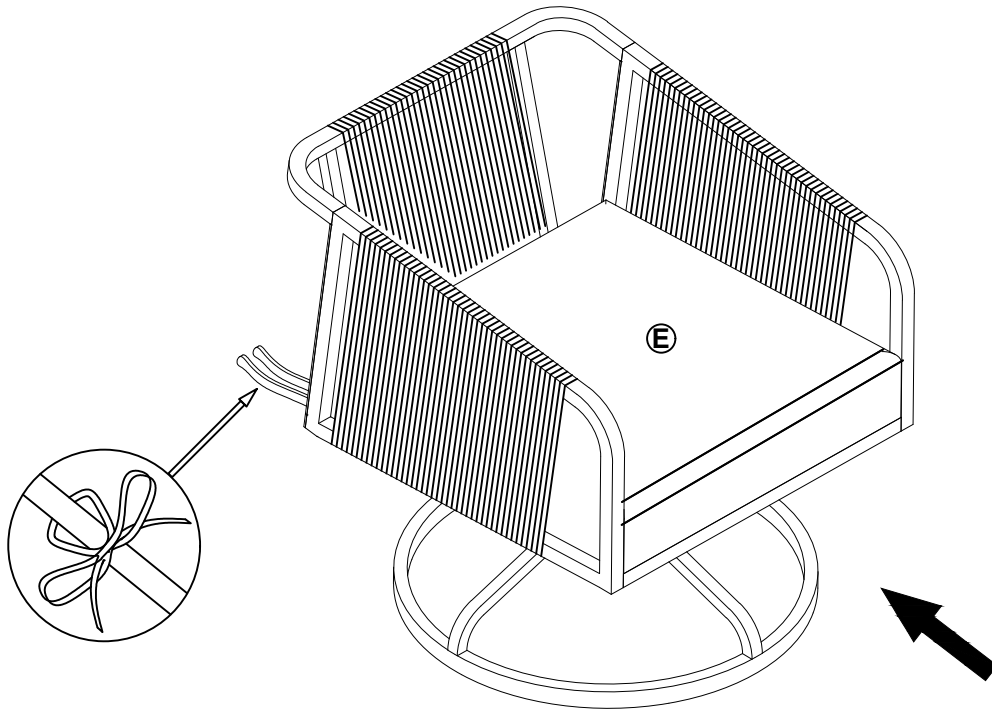


Ⓜ 4 pcs M8 nut



ASSEMBLY INSTRUCTIONS

Step 5



Step 6

