


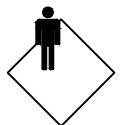
Distributed by:
TRACTOR SUPPLY COMPANY
5401 VIRGINIA WAY
BRENTWOOD, TN 37027
For customer support,
call: 1-888-376-9601
www.TractorSupply.com

Assembled Dimensions

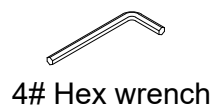
Approximate assembly time: **30 Minutes**

People for assembly: 

Required assembly space:
Floor area 8 ft. x 7 ft. (2.5 m x 2 m)



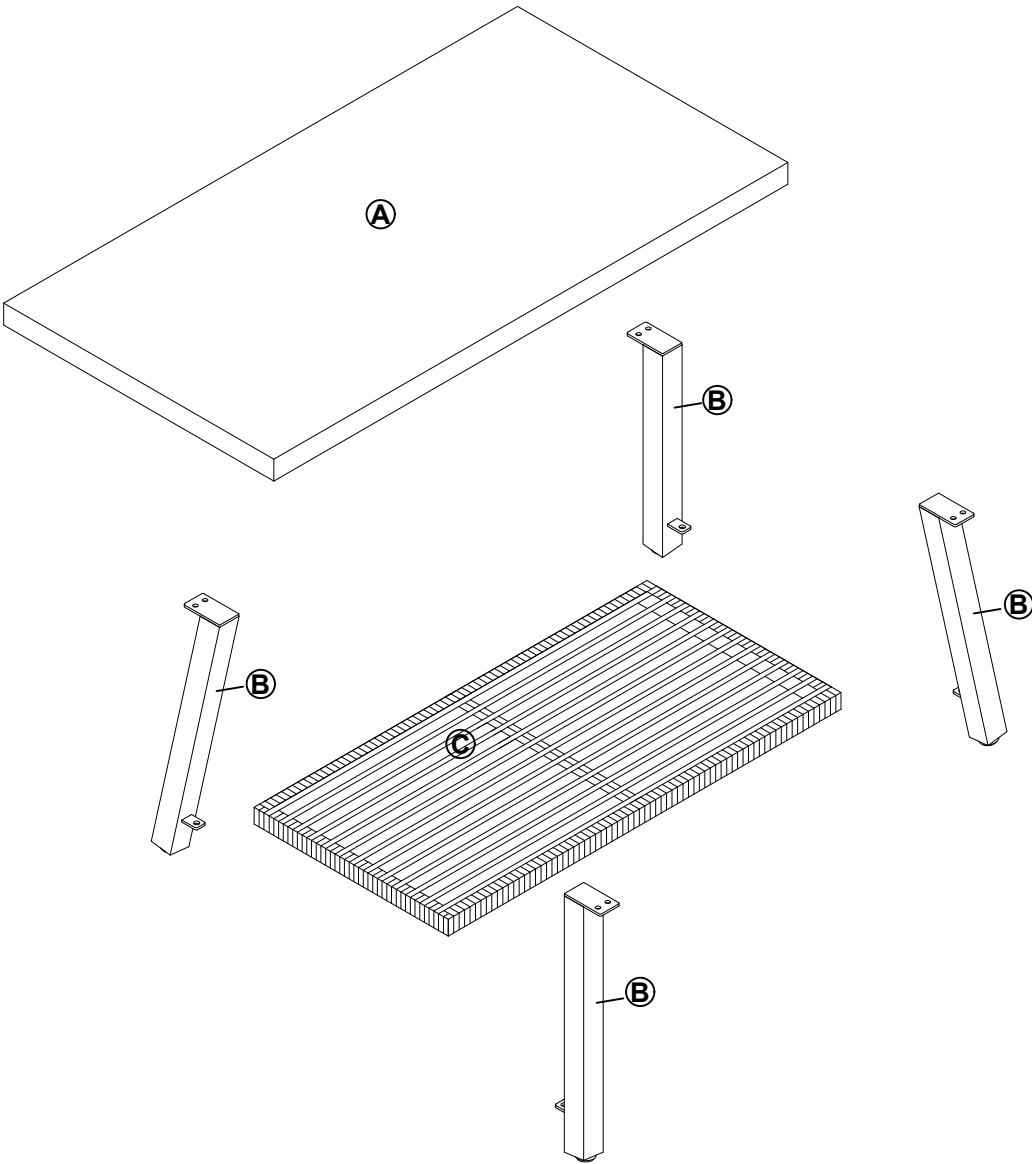
Required assembly tools (included):



**CAUTION: Hand tools only,
use of power tools
could damage product.**

PARTS LIST

NO.	Description	Quantity
(A)	Tabletop panel	1
(B)	Leg	4
(C)	Table-rack	1



HARDWARE LIST

Ⓓ 12 pcs M6 x 20L bolt + 1 spare pc



Ⓔ 12 pcs M6 washer + 1 spare pc



Ⓕ 1 pc 4# hex wrench



TIPS BEFORE YOU START

- 1.Ensure that all parts are present prior to assembly.
- 2.Check all packing material carefully before discarding, as some parts may be encased in the packing material.
- 3.For ease and speed of assembly, it is recommended that prior to each step all required parts are identified.
- 4.Ensure that you have sufficient space and people (as indicated on page I) to assemble product safely.
- 5.During assembly take care not to over-tighten any fittings, as this may damage the product.

CARE AND MAINTENANCE

- Outdoor use.
- Periodically check all fittings and re-tighten as necessary.

WARNING

- Keep children at a safe distance to prevent accidents.
- Inspect visually before each use and ensure all hardware is properly tightened.
- Do not stand on chair seats or tabletop.
- This product should only be used on firm, level ground.

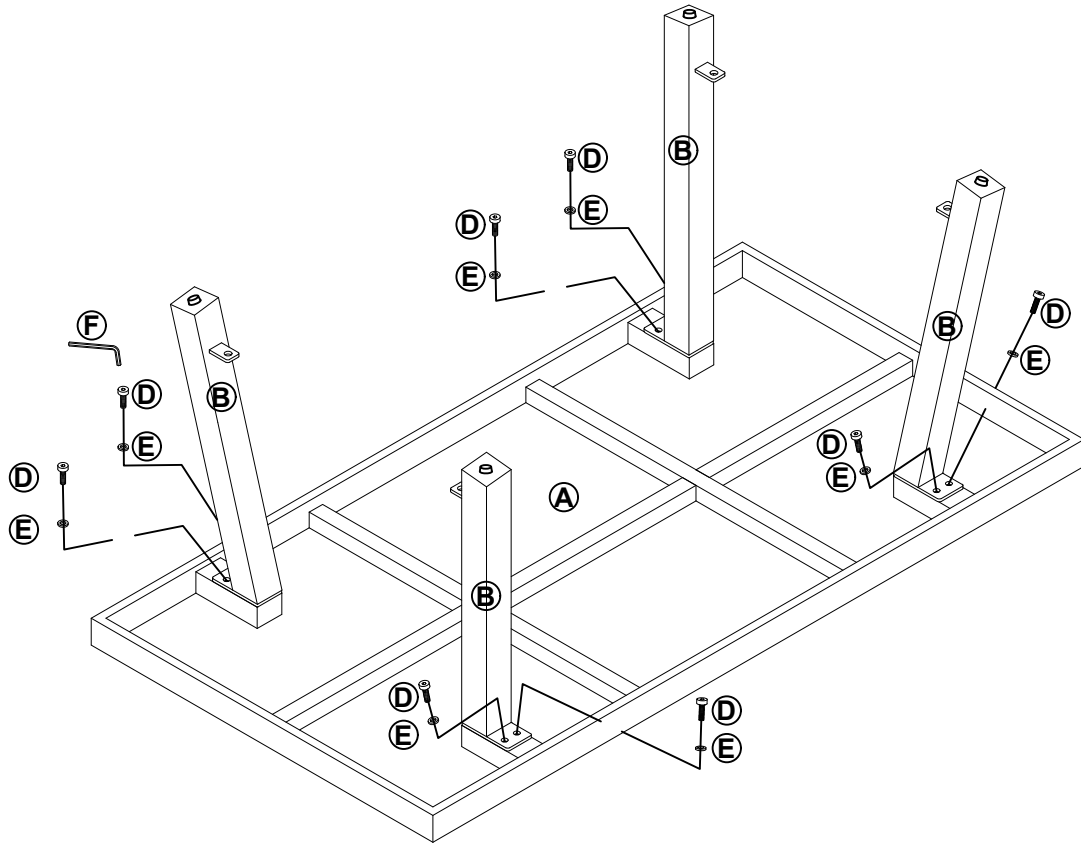
CAUTION: Pinch point. Please keep hands clear from moving parts.

WEIGHT LIMIT

Table: 170lbs(77 kgs)

ASSEMBLY INSTRUCTIONS

Step 1



Don't fully tighten the bolts until step 3.

Ⓓ 8 pcs M6 x 20L bolt



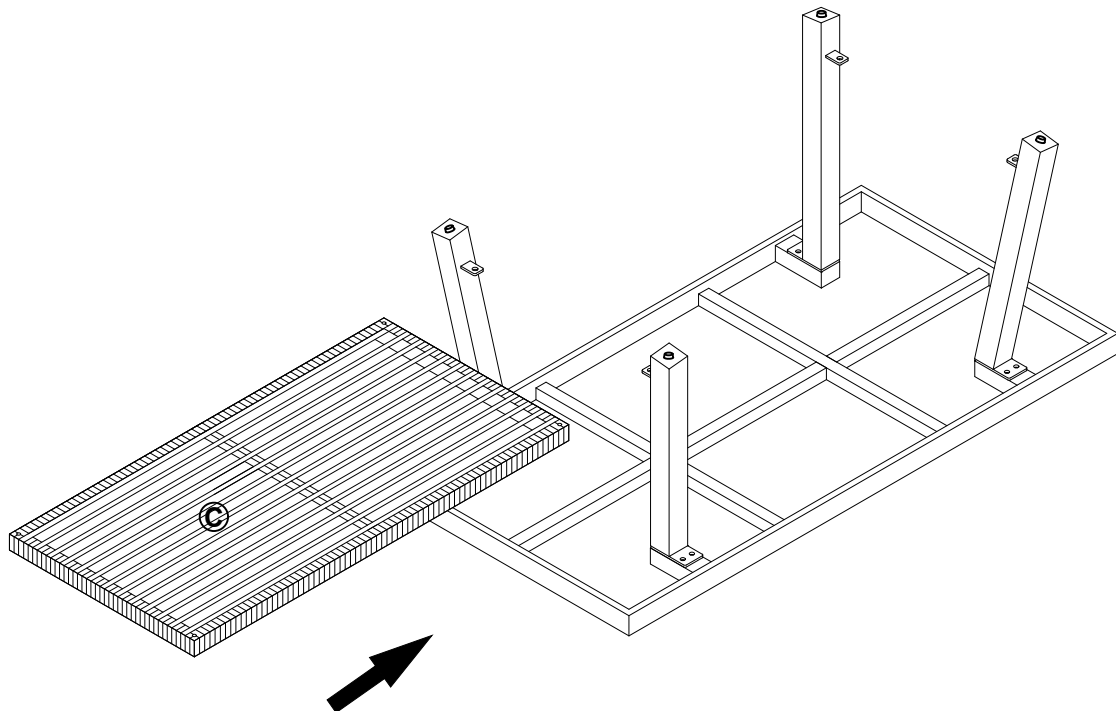
Ⓔ 8 pcs M6 washer



Ⓕ 4# hex wrench

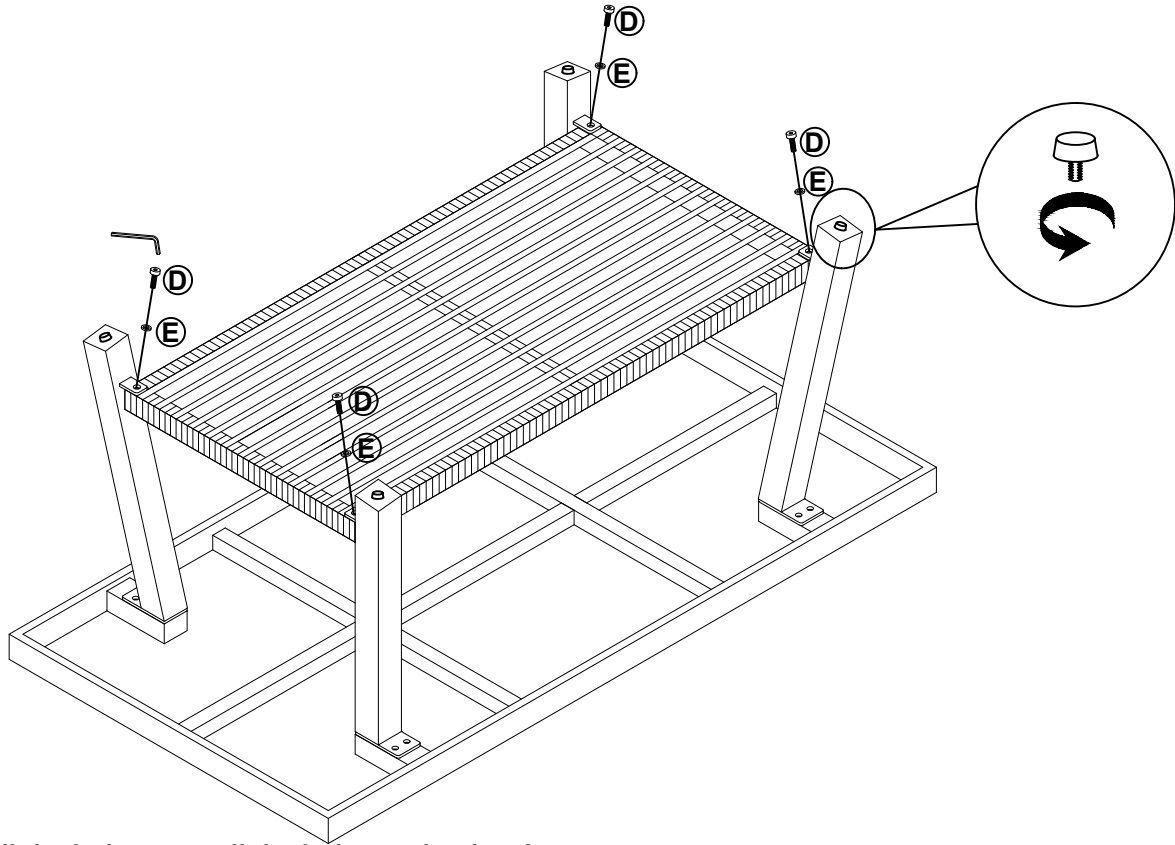


Step 2



ASSEMBLY INSTRUCTIONS

Step 3



Fully tighten all the bolts once all the bolts are in place!

Ⓓ 4 pcs M6 x 20L bolt



Ⓔ 4 pcs M6 washer



Ⓕ 4# hex wrench

