

**TIPS BEFORE YOU START:**

1. Ensure that all parts are present prior to assembly.
2. Check all packing material carefully before discarding as some parts may be encased in the packing material.
3. Ensure you have sufficient space and people to assemble product safely.
4. During assembly, do not over-tighten any fittings, as this may damage the product.

Distributed by:  
TRACTOR SUPPLY COMPANY  
5401 VIRGINIA WAY  
BRENTWOOD, TN 37027  
For customer support,  
call: 1-888-376-9601  
www.TractorSupply.com

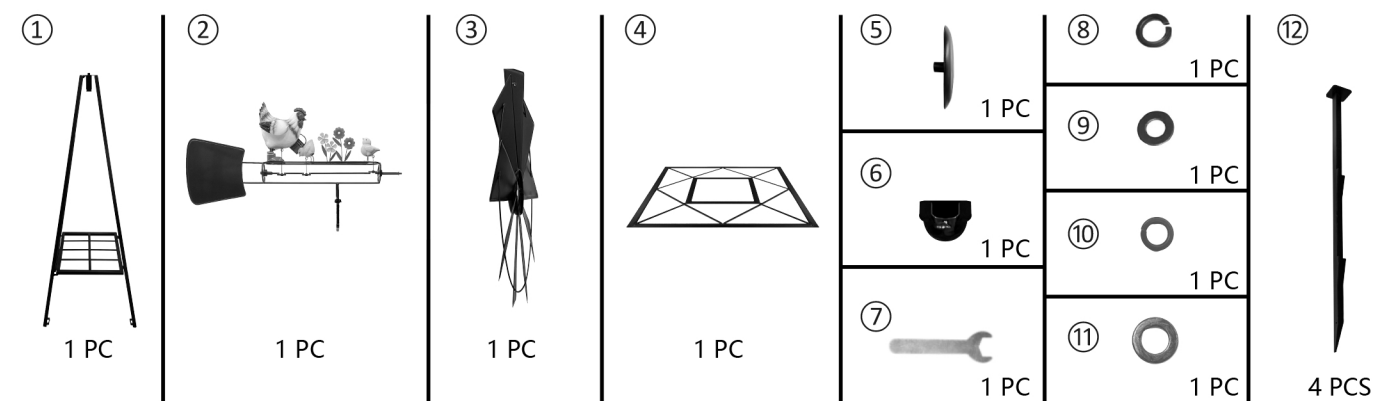
Approximate assembly time: **3 Minutes**

People for assembly:

Required assembly space:  
Floor area 3ft. x 3ft. (0.9mx0.9m)



**PARTS LIST**



**ASSEMBLY INSTRUCTIONS**

