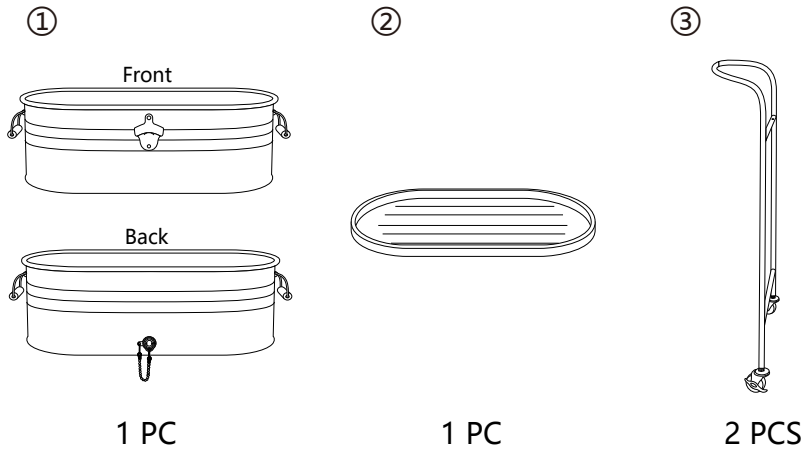
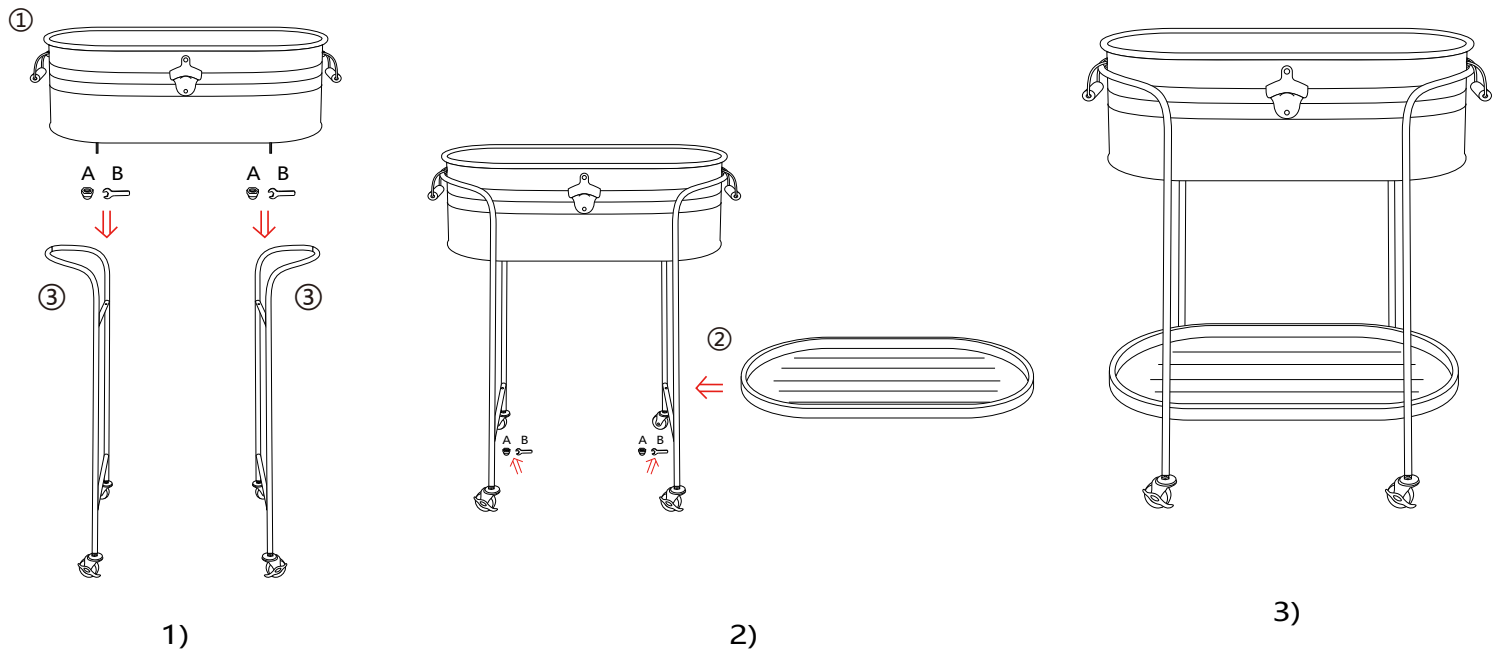
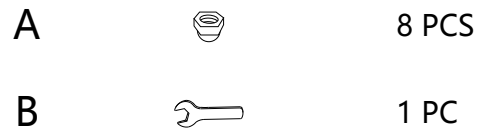


**PARTS**



**HARDWARE (included)**



**TIPS BEFORE YOU START:**

Distributed by:  
 TRACTOR SUPPLY COMPANY  
 5401 VIRGINIA WAY,  
 BRENTWOOD, TN 37027  
 For customer support,  
 call: 1-888-376-9601  
[www.TractorSupply.com](http://www.TractorSupply.com)

1. Ensure that all parts are present prior to assembly.
2. Check all packing material carefully before discarding as some parts may be encased in the packing material.
3. Ensure you have sufficient space and people to assemble product safely.
4. During assembly, do not over-tighten any fittings, as this may damage the product.

Approximate assembly time: **10 Minutes**

People for assembly:

Required assembly space:  
 Floor area 3ft. x 3ft. (0.9m x 0.9m)

