

BE POWER[®] **EQUIPMENT**



P2115EN

96397-CE

2,150 PSI

ELECTRIC PRESSURE WASHER

OPERATOR'S MANUAL

MANUEL D'UTILISATION DU LAVEUSES PRESSION

MANUAL DEL OPERADOR DE LA LAVADORA A PRESIÓN

BEPOWEREQUIPMENT

.COM

03.2025

Congratulations on your purchase of a BE Power Equipment pressure washer. You can be confident that this pressure washer is constructed and tested with optimum performance and quality in mind.

Reading this manual will help get you the best results for set-up, operation, maintenance and avoid personal injury or damage to your machine. By knowing how best to operate this machine, you will be better positioned to show others who may also operate the unit.

All the information in this manual is based on the latest product information available at the time of printing. BE Power Equipment reserves the right to make changes at any time without notice or incurring any obligation.

Owner/Operator Responsibility

The owner/operator must have a thorough understanding of the operation, maintenance and dangers associated with using this machine. It must be understood that it is ultimately up to the owner/operator to safely use this machine as outlined in this manual.

This manual is considered a part of the machine and needs to be kept in a safe location. If the machine is resold or given to someone else, this manual needs to be included.

Record Identification Numbers

It is recommended that you record the product identification numbers in this manual. These numbers are important to have on hand if you need to contact technical support (**1-866-850-6662**). The model and serial number can be found on the box and on decal on the machine.

Product Registration

Please register your product online to get the maximum benefit from your warranty. Use the QR code below or register online at: bepowerequipment.com/product-registration



It is recommended that you record the product identification numbers in this manual. These numbers are important to have on hand if you need to contact technical support (**1-866-850-6662**). The model and serial number can be found on the box and on decal on the machine.

PRODUCT IDENTIFICATION

Model Number: P2115EN

Date of Purchase: _____

Dealer Name: _____



TABLE OF CONTENTS

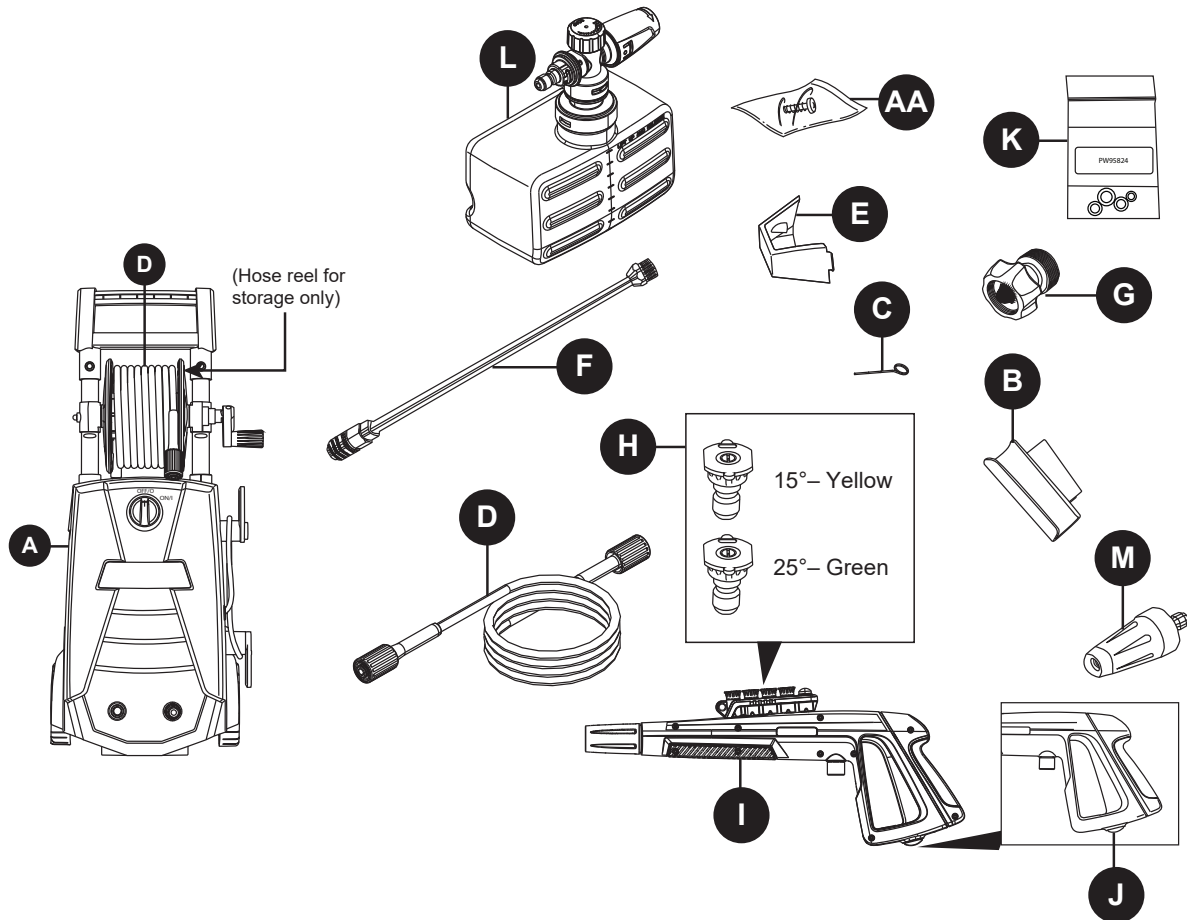
Product Specifications	3
Package Contents	4
Hardware Contents.....	4
Safety Information	5
Assembly Instructions.....	7
Operating Instructions	10
Care and Maintenance	12
Pump Saver.....	13
Troubleshooting.....	14
Limited Warranty	15
Replacement Parts List	16



PRODUCT SPECIFICATIONS

SPECIFICATIONS							
Model	Max PSI (lbs/sq. in.)	Max GPM (Gal/per min)	Cold Water	Volts	Frequency (Hz)	Amps	Weight (lbs.)
P2115EN	2150	1.6	✓	120	60	13	26.9

PACKAGE CONTENTS



PART	DESCRIPTION	QUANTITY
A	Power Washer Unit	1
B	Spray Gun Holster	1
C	Nozzle Cleaning Wire	1
D	High Pressure Hose	1
E	Nozzle Tray	1
F	Zinc Steel Lance	1
G	Garden Hose Adapter	1
H	Quick Connect Nozzle	2
I	Spray Gun	1

PART	DESCRIPTION	QUANTITY
J	Spray Gun Trigger Lock	1
K	O-Ring Kit	1
L	High Pressure Foam Cannon	1
M	Rotary Nozzle	1
AA	Screws	1

HARDWARE CONTENTS

AA



Note: Screw is located in package with manual.

Screws
Qty 1



SAFETY INFORMATION

Please read and understand this entire manual before attempting to assemble and operate the product.

This manual contains information that relates to **PROTECTING PERSONAL SAFETY** and **PREVENTING EQUIPMENT PROBLEMS**. It is very important to read this manual carefully and understand it thoroughly before using the product. The symbols listed below are used to indicate this information.



DANGER

Potential hazard that will result in serious injury or loss of life.



WARNING

Hazard that could result in serious injury or loss of life.



CAUTION

Potential hazard that may result in moderate injury or damage to equipment.

Note: The word “Note” is used to inform the reader of something the operator needs to know about the tool.

WARNING



To reduce the risk of injury, the user must read and understand the instructions before using this product.

- Warning – When using this product, basic precautions should always be followed, including the following.
- Read all the instructions before using the product.
- Know how to stop the product and bleed pressures quickly. Be thoroughly familiar with the controls.
- Keep operating area clear of persons.
- Do not overreach or stand on unstable support. Keep good footing and balance at all times.
- Follow the maintenance instructions as specified in the manual.
- To avoid personal injury and/or damage to property and to maximize your power washer experience, carefully follow all of the safety tips, instructions, warnings and safeguards and become familiar with all of the controls. Be sure you know how to quickly bleed off the pressure from all parts of your power washer and how to turn off the power washer.
- This power washer conforms to CSA and other safety and consumer standards. **DO NOT** modify or rebuild any part of your power washer.
- DO NOT** use your power washer when you are under the influence of alcohol or drugs. Use this power tool carefully and only when you are alert.
- Watch your balance and footing while using your power washer. Surfaces become slippery when wet and are extra slippery when using a detergent or cleaner.
- NEVER** operate the power washer in bare feet, sandals, or open-toed shoes.
- When using the power washer near children, make sure they are closely supervised by an adult to avoid injury. **NEVER** let a child use the power washer.
- Keep fingers, hands, feet and any part of your body clear of the stream of high pressure water. The powerful spray can cause blindness or blast holes in the skin. It can break a window if you are too close when you pull the trigger on the spray gun.
- ALWAYS** wear eye protection to prevent injury to eyes when operating the power washer.
- To avoid mishaps or injury, **ALWAYS** use the trigger safety lock when not using the power washer even if only stopping briefly.
- The power washer is equipped with a Ground Fault Circuit Interrupter (GFCI) (For US unit only) which greatly reduces the chance of electric shock while the unit is in use. If replacement of the plug or cord is needed, use only identical replacement parts.
- Point the spray gun in a safe direction when beginning a power washer session.
- Warning- **NEVER** spray directly at a person, animal, electrical device or the unit itself.
- When first using the spray gun, hold the spray gun and lance with two hands when pulling the trigger (one hand to pull the trigger and the other to stabilize the gun assembly) until you get used to the “kickback” from the spray gun.
- When you turn the power switch off, water pressure may remain in the system. To discharge the pressure, point the spray gun in a safe direction and pull the trigger.
- NEVER** spray flammable liquids.
- NEVER** use the power washer in areas that contain combustible dust, liquids or vapors.
- Avoid contact of the pressure hose with sharp objects and examine the hose regularly. Replace if damaged. Due to the high pressure involved, it cannot be repaired if cut or damaged.
- Only use detergent specifically formulated for power washers and follow instructions on the detergent’s label. Dish or laundry soap is too thick and will clog the nozzle of your foam cannon.

SAFETY INFORMATION

25. Protect eyes, lungs, and skin from exposure to detergent.
26. Warning-If connection is made to a potable water system, the system should be protected against backflow.



CAUTION

Store the power washer indoors to prevent the water in the unit from expanding under freezing conditions. When the water freezes and expands, your power washer will be damaged and become inoperable. Or, if storing outdoors, it is recommended you use pump saver (not included) to protect pumps.

27. **NEVER** use hot water with your power washer. It will overheat and damage the high pressure pump.
28. **NEVER** leave the power washer unattended while it is powered "ON".
29. **ALWAYS** turn the water supply on before turning the power washer power to on. Running the pump dry will cause damage to the internal components.
30. **NEVER** use a water supply to your power washer that exceeds 150 PSI maximum.
31. **NEVER** disconnect the high pressure hose from the power washer while the system is pressurized.
32. **NEVER** permanently engage the trigger mechanism on the spray gun.
33. **NEVER** operate the power washer unless all components are properly and securely connected.
34. **NEVER** allow the power washer pump to run for more than one minute after you have turned off the water supply. This can cause the motor and pump to overheat and fail.
35. **NEVER** use lances or other parts that are not compatible for this specific unit.
36. **NEVER** use an extension power cord since it defeats the effectiveness of the GFCI (For US unit only) and increases the chance of electrocuting the operator.
37. **NEVER** spray any electrical outlet with your power washer.
38. Inspect the power cord before using. **DO NOT** use it if it is damaged.
39. Stay alert - watch what you are doing.

KEEP THESE INSTRUCTIONS FOR FUTURE REFERENCE.

Servicing of a Double-Insulated Appliance

Ground Fault Circuit Interrupter Protection (For US unit only):

This pressure washer is equipped with a ground-fault circuit-interrupter (GFCI) built into the plugs of the power-supply cord. This device provides additional protection from the risk of electric shock. Should replacement of the plug or cord become necessary, use only identical replacement parts that include GFCI protection.

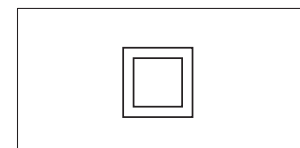
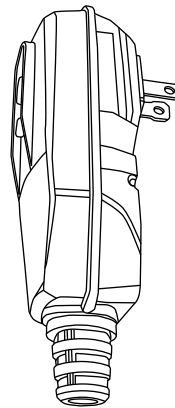
In a double-insulated product, two systems of insulation are provided instead of grounding. Grounding means are not provided for a double insulated product, nor should grounding means be added to the product.

Servicing a double-insulated product requires extreme care and knowledge of the system, and

should only be done by qualified service personnel.

Replacement parts for a double-insulated product must be identical to the original parts.

A double-insulated product is marked with the words "Double Insulation" or "Double Insulated". Product may also be marked with symbol shown here.



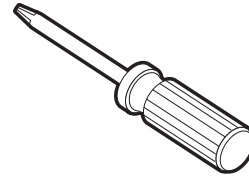
Double Insolated Product

PREPARATION

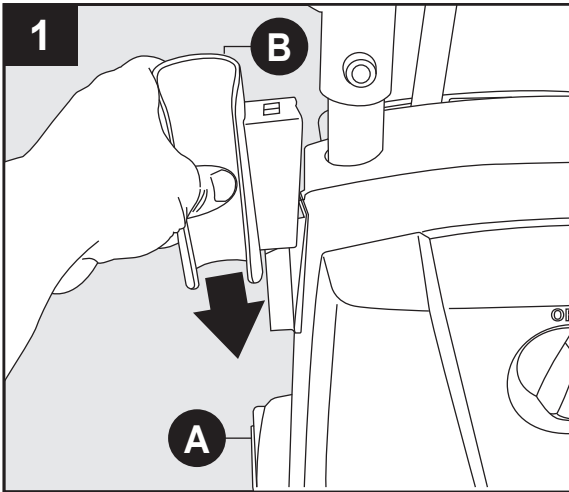
Before beginning assembly of product, make sure all parts are present. Compare parts with package contents list and hardware contents list. If any part is missing or damaged, **DO NOT** attempt to assemble the product. Please call customer service at 1-866-850-6662 for assistance.

Estimated Assembly Time: 5 minutes.

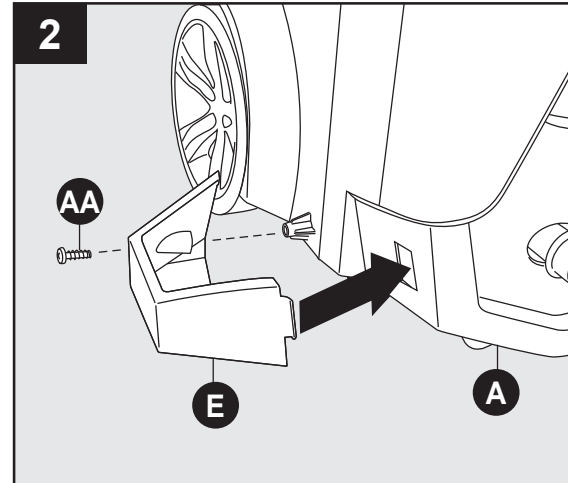
Tools Required for Assembly (not included): Phillips screwdriver.



ASSEMBLY INSTRUCTIONS



1
Power Unit Assembly
Slide the spray gun holster (B) onto left side, when facing the power washer unit (A).

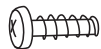


2
Slip tab into slot and screw the nozzle tray (E) on bottom left, when facing the power washer unit (A). Secure with screw (AA).

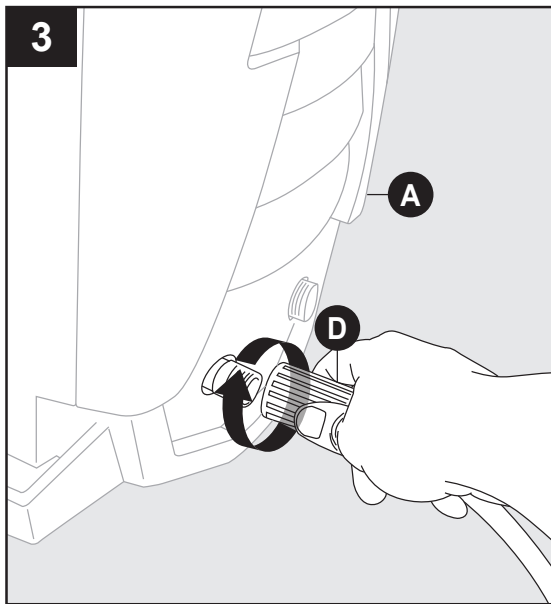
Note: **DO NOT** use a power screwdriver. When the screw is completely tight, give a small final clockwise twist of the screwdriver. **DO NOT** overtighten.

Note: When placing the gun with the lance attached, the nozzle will rest in this tray.

Hardware Used:

AA Screw  x 1

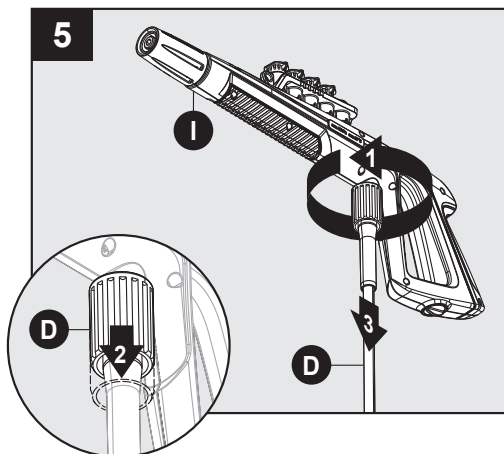
ASSEMBLY INSTRUCTIONS



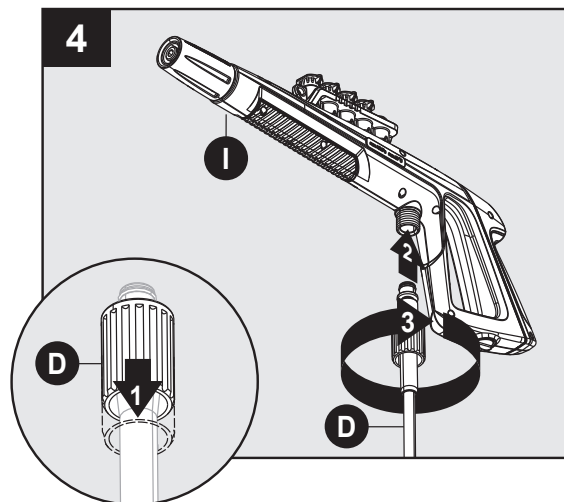
High Pressure Hose Assembly

Screw high pressure hose (D) clockwise onto bottom front of power washer unit (A). Pull back collar and insert o-ring post into water outlet far enough so collar can thread onto outlet threads until hand tight. If it takes fewer than six turns you have not properly tightened the high pressure hose fitting. It is easier to position the power washer in front of you to ensure that the threads are started correctly. Failure to properly tighten high pressure hose will result in the hose slipping or popping off immediately upon turning unit on. Do not worry about damage if this occurs—just reinstall and take extra care when screwing on the high pressure hose fitting.

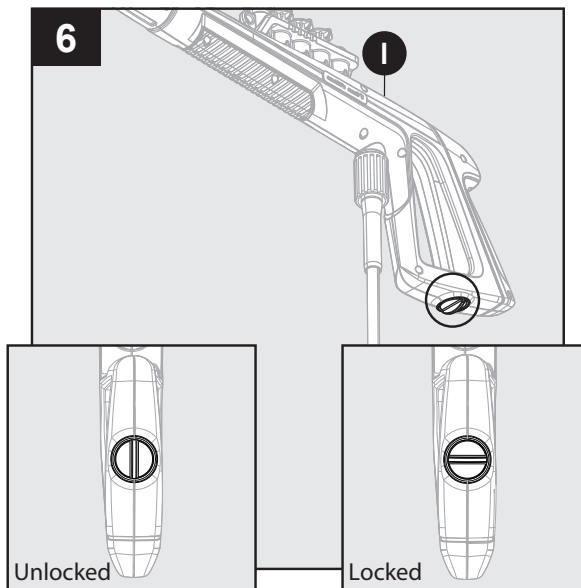
Note: **DO NOT** use pliers or locking pliers to tighten.



Twist collar then pull back to release the the high pressure hose (D) connection from the gun (I).



Pull back on collar at the other end of the high pressure hose (D). Push firmly to connect hose to spray gun (I). Twist collar to secure. Confirm hose is locked into spray gun by slightly pulling on them. The hose is now securely attached to spray gun.

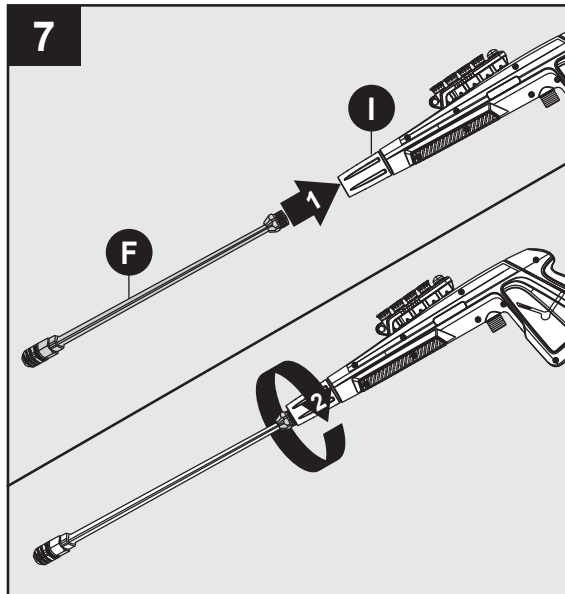


Locking Spray Gun (Before Lance Installation)

To lock trigger of spray gun (I), point gun away from you and turn dial to lock ("3" and "9" position). Squeeze or pull trigger to make sure it is locked. ALWAYS leave in locked position when not in use. This ensures the gun is in "safe" mode until it is ready for use. Turn dial to unlock ("12" and "6" position) to release spray gun trigger.

Note: The trigger lock prevents trigger from being accidentally engaged.

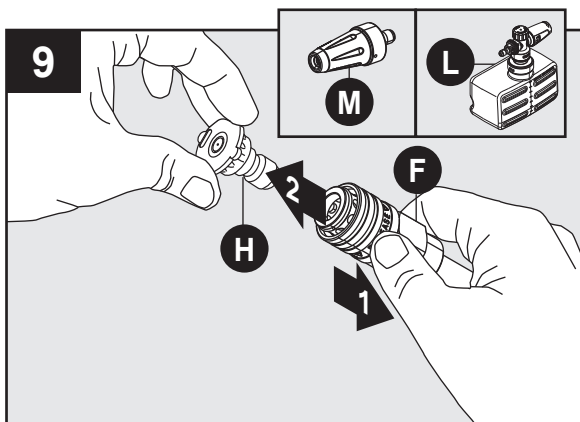
ASSEMBLY INSTRUCTIONS



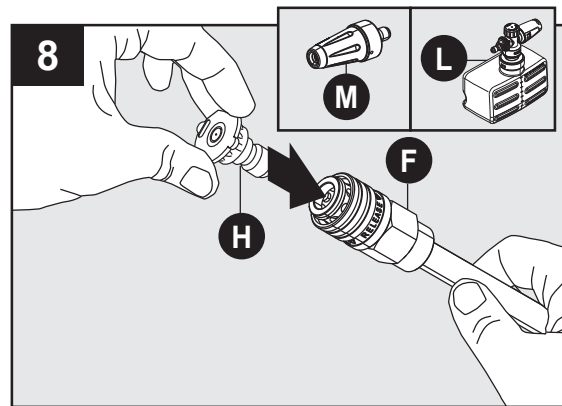
Extension Lance Installation

While the spray gun (I) is in the locked position, insert the extension lance (F) into the end of the spray gun, by inserting and pushing together turning clockwise simultaneously. To remove, push together and turn counterclockwise.

Note: Always push the safety lock button to lock the trigger when changing lances to ensure that they do not accidentally eject with force during removal.

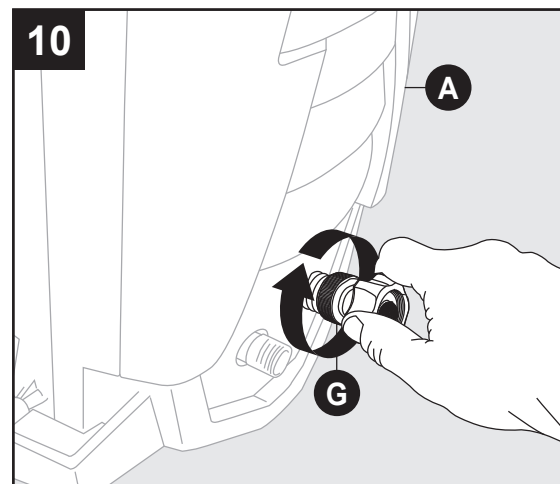


To remove nozzle (H), rotary nozzle (M) or foam cannon (L) pull back on collar of lance (F) and pull out nozzle.



Attach nozzles (H), rotary nozzle (M) or foam cannon (L) into end of lance (F) by pressing selected nozzle into place. It will make a “click” sound when firmly in place.”

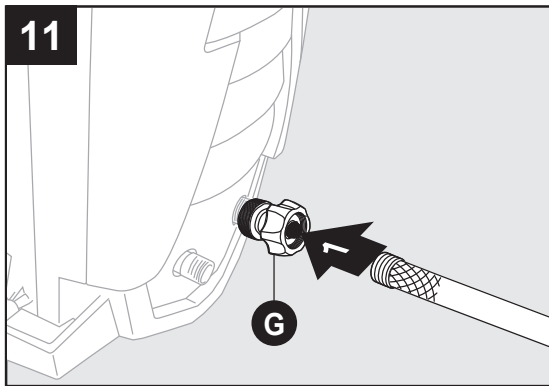
Note: Always turn the safety lock dial to lock trigger when changing lances and nozzles to ensure that they do not accidentally eject with force during removal.



Garden Hose Adapter Installation

Attach collar of garden hose adapter (G) directly to power washer water inlet (A). Hand tighten.

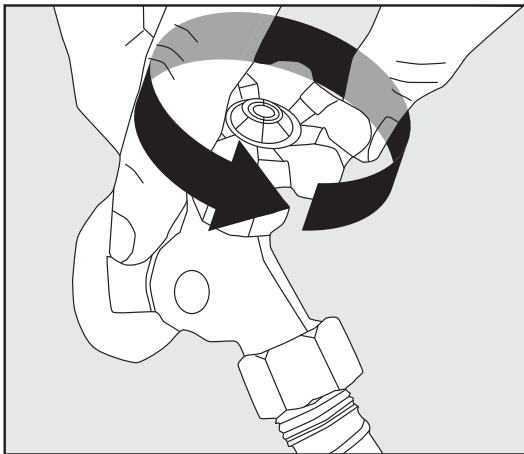
ASSEMBLY INSTRUCTIONS



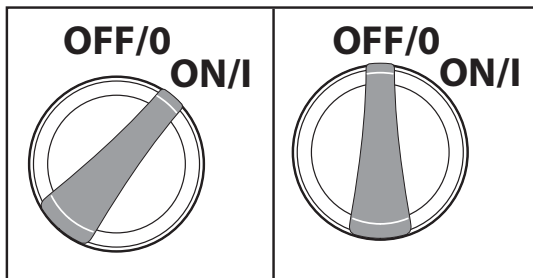
Attach garden hose to the garden hose adapter (G).

Note: Flush out garden hose before connecting to garden hose adapter.

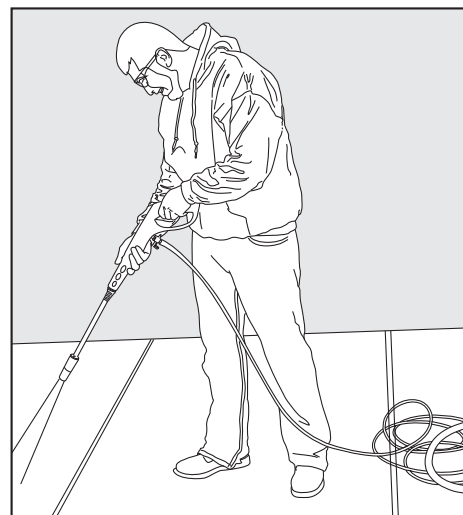
OPERATING INSTRUCTIONS



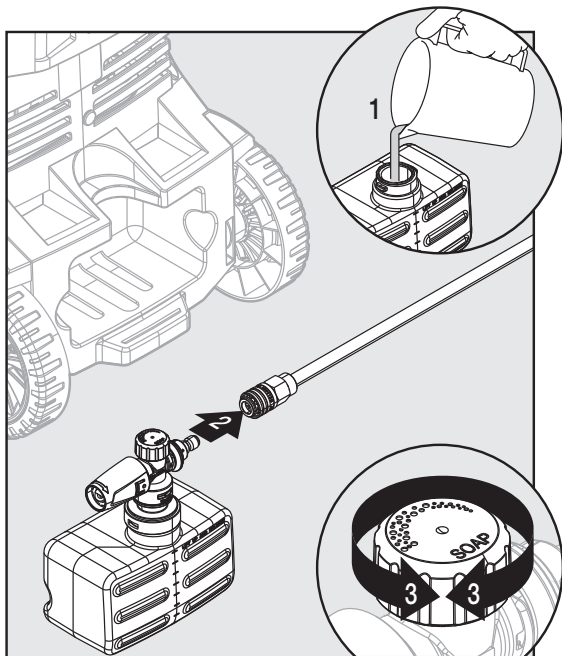
- Make sure the “ON/OFF” switch is in the “OFF” position. The power switch has international symbols for ‘on’ and ‘off’: On (I) Off (O).
- Unwind the power cord completely and plug the GFCI (For US unit only) into a grounded 120 volt outlet.
- Turn on water supply at the faucet to completely open.
- Release safety push trigger lock up and back into trigger. While pointing the spray gun in a safe direction, squeeze the trigger on the spray gun until there is a steady stream of water, letting the water and air out of the hose. Push trigger lock back down to lock back into place.



- Turn the power switch to the “ON” (I) position. The unit will turn on for 1 - 2 seconds and shut off. This is a normal function of the auto start feature. Squeeze the spray gun trigger to begin pressure washing.
- Begin power washing by squeezing the trigger on the spray gun all the way into the handle.
- Release the spray gun trigger to stop the power washer.
- Allow the motor to come to a complete stop before squeezing the trigger again.
- Squeezing rapidly will cause the auto start feature to miss an on/off cycle that may prevent it from turning on while squeezing trigger after rapid squeezing. Use slow deliberate trigger pulls to avoid such symptoms.
- Always test a small area to avoid chance of damaging the surface.



OPERATING INSTRUCTIONS



Attach Foam Cannon (stored in rear of pressure washer) into end of lance by pressing cannon into place. It will make a “click” sound when firmly in place.

Note: Always lock spray gun when changing the foam cannon to ensure it does not eject with force.

- When using the foam cannon, fill it with a properly formulated detergent or cleaner with water ratio according to instructions on the container.
- DO NOT use thick gel-like detergents as they will clog the foam cannon and can cause damage.
- The power washer will pull a ratio of water to detergent of 10:1 or 10 parts water to 1 part detergent. The detergent concentration can be adjusted by turning the detergent knob on the top of the cannon. Turn it left for more concentration or turn it right for less concentration.

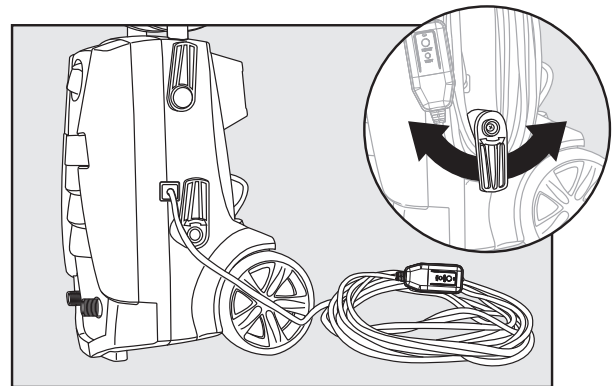
Operation Tips

- Note: Test the GFCI (For US unit only) before each use:
 1. Plug GFCI into power outlet. Indicator should turn green to show that cord has power.
 2. Press test button, green indicator should turn off to verify that GFCI cut off power to the cord.
 3. Press reset button – green indicator should turn on to show that cord has power again.
 4. When GFCI is working properly, green indicator will turn on when power is applied. If green indicator turns off, it has detected electric leakage and the GFCI cut off power to the appliance.

- If you hear the motor run intermittently when the trigger is not being squeezed, that is normal. The pump is priming itself so it is ready to operate when the trigger is squeezed. Turn off the power washer if not being used after five minutes.
- The o-rings on the bayonet end of the nozzle lance should be cleaned regularly and lubricated with non-water soluble grease such as petroleum jelly.
- Keep the nozzle cleaning wire for use in unclogging the nozzle. If you lose the cleaning wire, a straightened paper clip also works.

How to Avoid Damaging Surfaces

- Damage to surfaces being cleaned occurs because the impact force of the water pressure exceeds the durability of the surface. Bare wood can be penetrated; paint can be peeled off, etc. You can vary the force of your power washer by controlling:
 1. The angle of the surface being cleaned.
 2. The distance of the nozzle from the surface being cleaned.
- NEVER use a narrow high pressure stream of water on soft surfaces susceptible to damage.
- Use the 25° quick connect nozzle when cleaning windows. Squeeze the trigger and vary the spray pattern and angle until optimum cleaning efficiency is achieved.



Using Power Cord

- Easily remove the power cord from side of unit by swiveling the bottom yellow cord hook to the right or left until it faces up. The power cord then can be easily slid off of the side of the power washer unit.
- Swivel yellow cord hook back down when ready to wrap the cord back into place for storage.

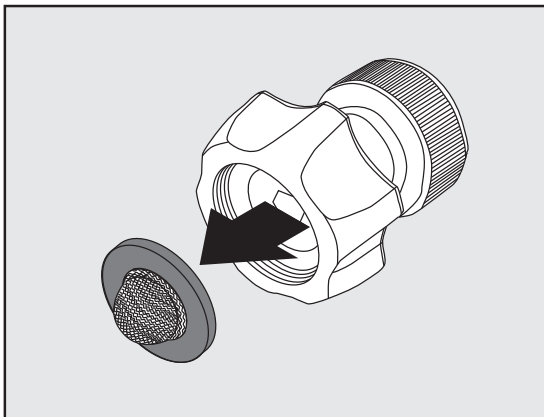
CARE AND MAINTENANCE

Detergents

- Use detergents designed for power washers. Hardware stores or home centers also have power washer detergents for different cleaning projects. The cleaning solution should be the consistency of water in order to prevent clogging your detergent bottle and nozzle.
- This system applies detergent under low pressure. The cleaning power of the detergents is enhanced when applied with low pressure and enough time is given to break down dirt and grime. The combination of low pressure and chemical action is very effective and can be better than scrubbing if applied properly. ALWAYS spray detergent on a dry surface. DO NOT pre-soak area. Wetting the surface first dilutes the detergent and reduces its cleaning ability. DO NOT allow detergent to dry on surface. On vertical surfaces being cleaned, apply detergent to lower surfaces and work your way up to prevent detergent from causing streaks in the dirt and grime. Rinse detergent by pressure washing from bottom up for same reason.
- If a stain is particularly tough, it may be necessary to reapply the detergent and use a bristled brush to scrub the stain. Subsequent power washing after brushing should successfully complete your cleaning job.

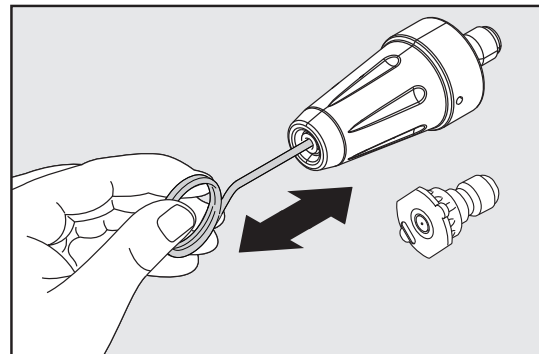
Cleaning Garden Hose Adapter

- The screen inside the adapter should be cleaned periodically. Remove it by dragging a thumb over the screen with enough pressure to pull the screen and washer out. Rinse it with clean water and then place it back in the adapter.



Cleaning Nozzles

- A clogged or partially clogged nozzle can cause significant reduction of water pressure coming out of the nozzle and/or cause the unit to pulsate while spraying.
- Turn off the unit.
- Turn off the water supply to the unit.
- Relieve any pressure trapped in the hose by squeezing the trigger 2-3 times, and then lock the spray gun by pushing the lock button from left to right.
- Remove the lance from the spray gun.
- Using the nozzle tip cleaner provided (or an unfolded paper clip), insert the wire into the nozzle hole and move back and forth until debris is dislodged.
- Tap quick connect end of lance on hard surface several times.
- Back flush water through the nozzles using garden hose and highest pressure available (either standard water nozzle or use your thumb over the nozzle to create water pressure for back flush).



CARE AND MAINTENANCE

Storage

- When your pressure washer session has been completed, turn off the power switch located on the front of the power washer. Unplug the power cord from the outlet. Turn off the water supply. Pull the trigger on the spray gun 2-3 times to drain out the excess water and to release any remaining water pressure. Disconnect the garden hose adapter from the water inlet. **DO NOT** allow the power washer to run with no water flowing through it.
- Remove high pressure hose from spray gun.
- Remove lance from the gun. Place the gun in the holster on the side. Lances are placed into any of the slots in the back of the unit.
- Make sure to discard any remaining detergent from the bottle. Residual chemical will stick to the container which could become contaminated, and can cause the detergent injector to clog and not function properly. Flush the bottle and nozzle head with fresh water to prevent clogging.
- Hook the power cord around the cord hook on the right side of the machine when facing it.
- The pressure hose is stored on the hose hook located on the back of the handle.
- **DO NOT** store the power washer where it is exposed to freezing temperatures unless you use an antifreeze designed for pumps. Store the power washer indoors to prevent the water in the unit from expanding under freezing conditions. When the water freezes and expands, your power washer will be damaged and become inoperable. Or, if storing outdoors, it is recommended you use pump saver (not included) to protect pumps.

PUMP SAVER

Pump Saver is a product that protects and prolongs the life of the pump. This will keep the internal parts of the pump lubricated and protected from freezing while being stored in ALL climates. It also assists with protection from internal corrosion. The BE Power Equipment part number is: 85.490.046. Purchase at a BE Power Equipment retailer near you.

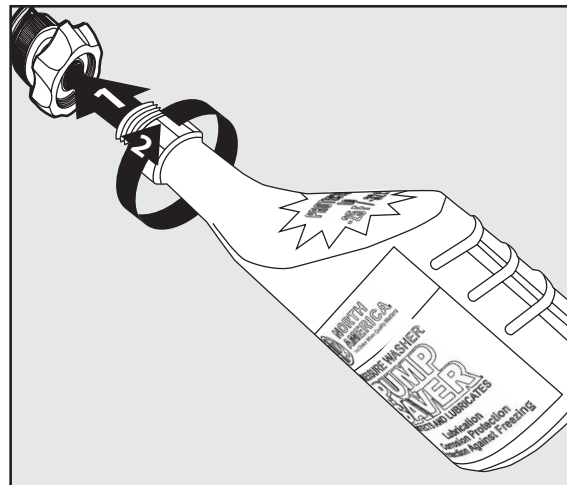
Pump Saver Instructions

Follow the previous storage instructions for your power washer. To prevent staining, protect the surface under the power washer from any excess fluid. Wear eye protection when using this product.

Turn unit off and disconnect the gun before adding pump protector. Unscrew threaded top from bottle to remove seal and reattach threaded top to bottle. Remove black cap from bottle.

- 1) Place top of pump saver bottle onto the garden hose adapter.
- 2) Secure pump saver bottle by turning in a clockwise direction.
- 3) Turn the power on.
- 4) Squeeze bottle to help it into the pump.
- 5) Turn power off when pump saver exits the machine's water outlet.

Note: Instructions on Pump Saver Bottle are generic and not model specific.



TROUBLESHOOTING

If you have any questions regarding the product, please call customer service at 1-866-850-6662.

PROBLEM	CORRECTIVE ACTION
Unit will not turn on.	<ol style="list-style-type: none"> 1. The GFCI module on the end of the power cord must be plugged directly into an outlet. 2. Do not use an extension cord. 3. With the GFCI Connected make sure the power switch is turned on. <p>Note: When power switch is turned on, the power washer will turn on by itself for 1-2 seconds and shut off. This is normal.</p>
The high pressure (HP) hose will not connect/stay connected to the spray gun. Is this a spray gun problem?	<ol style="list-style-type: none"> 1. In most cases, the spray gun is not the problem. The problem is the rubber sleeve covering the fitting at the end of the high pressure hose. It has likely slipped up toward the metal tip. To fix: wiggle, twist and/or pull the rubber sleeve down until the entire tip is visible plus an 1/8 in. of the metal fitting below the tip. Now try to insert the hose tip into the spray gun. It should "click" into place and will not come out until the hose is released by pushing in the lever on the underside of the gun. You may cut away the end of the sleeve with a sharp knife if unable to move the sleeve down. Be careful not to cut or puncture the hose. 2. Do not push in the release button when connecting the high pressure hose.
The unit is running but there is no water flow.	<ol style="list-style-type: none"> 1. Power should NOT be turned on until water comes through the spray gun. Doing so will damage the motor. 2. Check the water source. 3. Eject the nozzle from the lance to determine if clog is coming from the nozzle (If nozzle is clogged, see nozzle cleaning instructions under "Cleaning nozzles"). 4. Take off the lance and just spray out of the spray gun. This will indicate if the problem is with the lance. 5. Check Garden Hose Adapter for loose connection and the filter for debris.
Why is water leaking where the high pressure hose connects to the spray gun?	<ol style="list-style-type: none"> 1. Make sure there is an o-ring at the end of the metal tip of the high pressure hose. If no o-ring is present, the connection between the hose and spray gun will leak. O-Ring Replacement Kit (K) is included with purchase.
I can't remove the lance from the spray gun. What should I do?	<ol style="list-style-type: none"> 1. All lances and the detergent bottles are attached and removed from the extension lance in the same manner. Insert the quick-release end of the lance/detergent bottle into the extension lance. Press the extension lance and lance together (about a 1/8") and turn clockwise. The lance will lock in place. Remove the lance by reversing this procedure. Press the extension lance and lance together and turn counter clockwise. The lance will slide out. 2. Or, hold the extension lance and lance in an upright position with the nozzle end on the floor. Push the whole assembly straight down to loosen the connection, and then follow the removal process again. You may also spray soapy water or a lubricant in the area where the lance connects to the extension lance.

TROUBLESHOOTING

PROBLEM	CORRECTIVE ACTION
The power washer turns on for 2 seconds, shuts off, and will not turn back on. Do I have a defective unit?	<ol style="list-style-type: none">1. It sounds like your power washer is working just fine. When the water is connected, the accessories are assembled properly, and the power switch is turned on, the power washer may turn on for 1 - 2 seconds to prime the pump. It automatically shuts off and waits for the spray gun trigger to be pressed. When the trigger is pressed, water starts flowing through the pump. The water sensor in the pump "senses" the moving water and automatically turns the power washer on.2. Turn the power switch to off, hold in the trigger on the spray gun, so that you have a steady stream of water. While you are holding the trigger open on the spray gun, at the same time, turn the power switch on.

LIMITED WARRANTY

BE Power Equipment Inc. warrants to the original retail purchaser that our new products are free from defects in material and workmanship for the timeframes set forth. If a defect is found in a BE Power Equipment product within the limitations outlined in this warranty statement, BE Power Equipment, at its sole discretion, will repair, replace, or credit the product.

The warranty coverage begins on the date of the retail purchase by the end-user. Valid proof of purchase must be presented with the warranty claim.

This warranty is limited to defects that occurred during regular operational use. It does not cover failures due to lack of maintenance, negligence, abuse, misuse, including, but not limited to, freezing damage, alterations, chemical deterioration, scale buildup, rust, thermal shock, thermal expansion, transportation damage, oil changes, valve adjustments, fuel system maintenance, or the use of incorrect parts. Furthermore, using the wrong fuel, water, or power supply is considered a form of misuse.

This warranty does not cover normal wearing items such as O-rings, valves, seals, filters, spark plugs, or packings. These are normal wearing items and should be factored into your regular maintenance schedule.

The warranty herein is in lieu of all other warranties, express or implied, including any implied warranty of fitness for a particular purpose. BE Power Equipment does not authorize any of its dealers, service centers, agents, employees, or any other party to expand, extend, or modify the scope of this warranty in any manner on behalf of BE Power Equipment.

BE Power Equipment expressly disclaims liability for injuries to persons or property, or for incidental damages, rental loss, time loss, transportation costs, or consequential damages. It is the buyer's responsibility to ensure the correct installation, application, and use of the product purchased.

The warranty coverage is for one year, (5 years upon registration within 90 days of purchase) and begins on the date of purchase by the end-user. Valid proof of purchase must be presented with the warranty claim.

REGISTERED PRODUCT EXTENDED WARRANTY

BE offers an extended warranty on its products upon registration on the website. To qualify for the extended warranty, products must be registered within 90 days of purchase. BE retains sole discretion in determining whether the failure results from a manufacturing defect or workmanship and is the cause of premature failure.

PRODUCT REGISTRATION

Product registration form can be found at: bepowerequipment.com/pages/product-registration

WARRANTY PROCEDURE

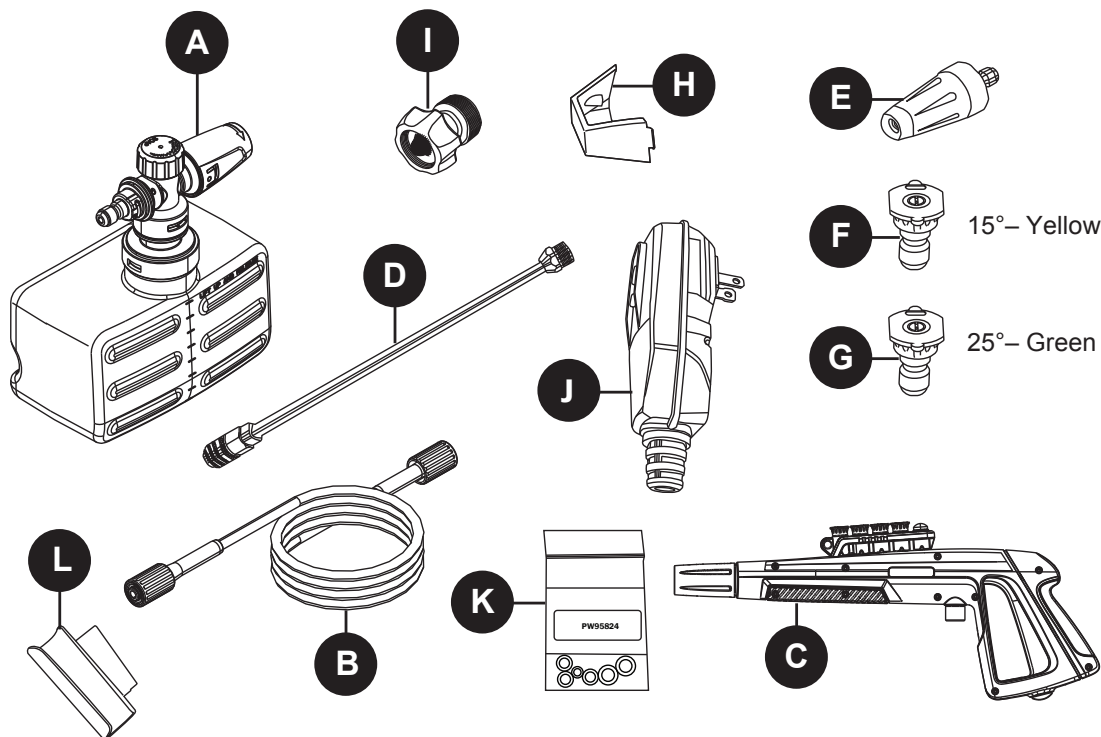
Contact the BE Technical Service department at 1-866-850-6662 or email us (servicecenter@bepressure.com) with the following information

- Model/part number
- Serial number (if applicable)
- Copy of the original purchase receipt
- Detailed description of the failure
- Any additional relevant details or photos pertinent to the situation

AUTHORIZED “BE” SERVICE CENTERS: bepowerequipment.com/pages/find-a-service-center

REPLACEMENT PARTS LIST

For replacement parts, call our customer service department at 1-866-850-6662, 8 a.m. - 4:30 p.m., PST, Monday - Friday.



PART	DESCRIPTION	PART	DESCRIPTION
A	High Pressure Foam Cannon (34 oz.)	G	25° Quick Connect Nozzle
B	High Pressure Hose	H	Nozzle Tray
C	Spray Gun	I	Garden Hose Adapter
D	Extension Lance	J	GFCI Assembly (For US unit only)
E	Rotary Nozzle	K	O-Ring Kit
F	15° Quick Connect Nozzle	L	Gun Holster



BE POWER[®] **EQUIPMENT**



P2115EN

2,150 PSI

LAVEUSE À PRESSION ÉLECTRIQUE

MANUEL D'OPÉRATEUR

BEPOWEREQUIPMENT

.COM

TABLE DES MATIÈRES

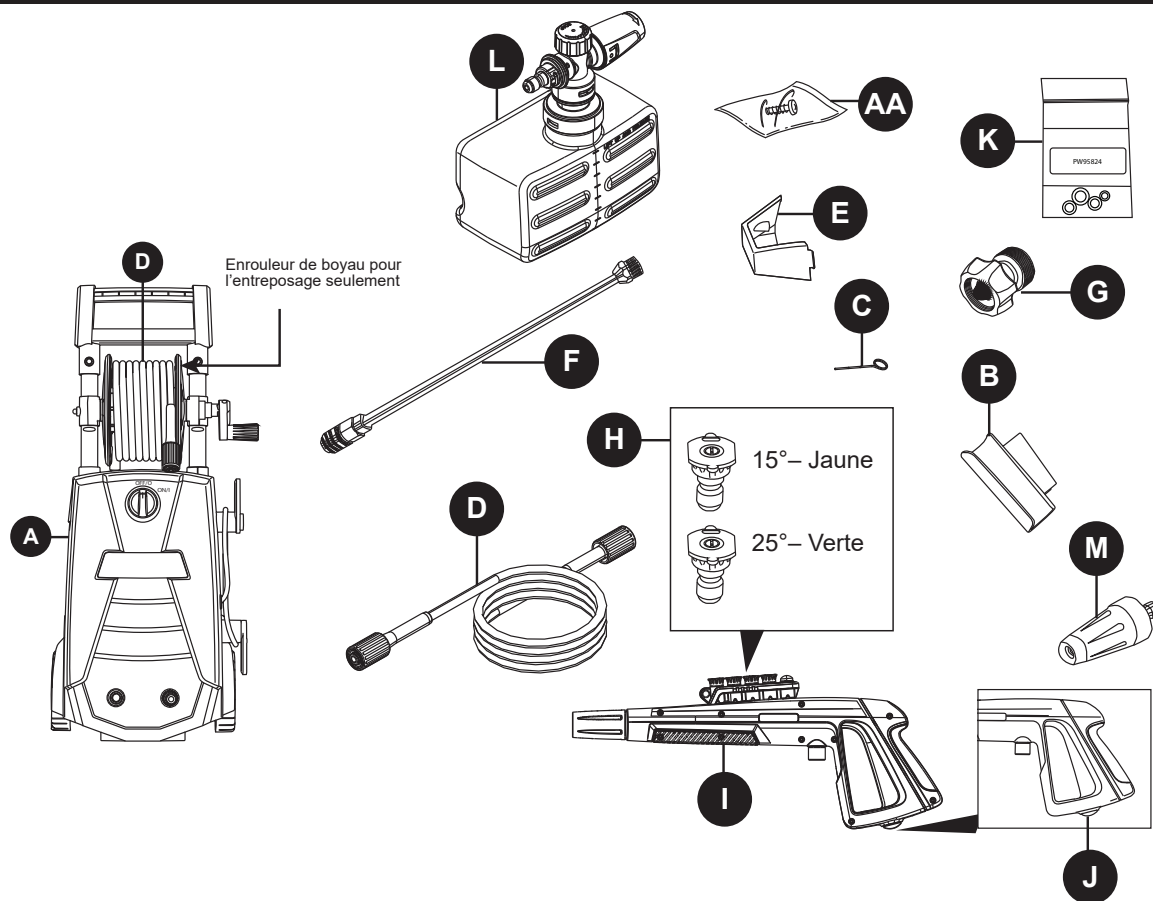
Spécifications du produit	18
Contenu de l'emballage	19
Matériel inclus.....	19
Consignes de sécurité	20
Instructions d'assemblage	22
Mode d'emploi	25
Entretien et maintenance.....	27
Protecteur de pompe	28
Dépannage	29
Garantie limitée	30
Liste des pièces de rechange.....	32



SPÉCIFICATIONS DU PRODUIT

SPÉCIFICATIONS							
Modèle	PSI maximum (k/cm ²) (lb/po ²)	Débit maximum (Litre/min) (Gal./min)	Eau froide	Volts	Fréquence (Hz)	Ampères	Poids (kg) (lb)
P2115EN	6292 (2150)	6.1 (1.6)	✓	120	60	13	12.2 (26.9)

CONTENU DE L'EMBALLAGE



PIÈCE	DESCRIPTION	QUANTITÉ
A	Laveuse à pression	1
B	Étui à pistolet pulvérisateur	1
C	Tige de nettoyage de la buse	1
D	Tuyau à haute pression	1
E	Bac à buse	1
F	Lance d'arrosage en acier enduit de zinc	1
G	Adaptateur de tuyau d'arrosage	1
H	Buse à raccord rapide	2
I	Pistolet pulvérisateur	1

PIÈCE	DESCRIPTION	QUANTITÉ
J	Verrou de la gâchette de pistolet pulvérisateur	1
K	Ensemble de joints toriques	1
L	Canon mousse haute pression	1
M	Buse rotative	1
AA	Vis	1

MATÉRIEL INCLUS

AA



Vis
Qté 1

Remarque : Les vis se trouvent dans l'emballage du manuel.

CONSIGNES DE SÉCURITÉ

Veuillez lire et comprendre tout ce manuel avant d'essayer de monter et de faire fonctionner le produit.

Le présent manuel contient des informations concernant la **PROTECTION DE LA SÉCURITÉ PERSONNELLE** et la **PRÉVENTION DE PROBLÈMES D'ÉQUIPEMENT**. Il est important de lire et de comprendre l'intégralité du manuel avant d'utiliser le produit. Les symboles apparaissant ci-dessous sont utilisés pour indiquer ces informations.



DANGER

Risque potentiel ayant pour conséquence des blessures graves ou la mort.



AVERTISSEMENT

Risque potentiel pouvant causer des blessures graves ou la mort.



ATTENTION

Risque potentiel pouvant causer des blessures ou des dommages à l'équipement.

Remarque : Le mot « Remarque » est utilisé pour informer l'utilisateur d'un renseignement important concernant l'utilisation de l'appareil.

AVERTISSEMENT



Pour réduire le risque de blessure, l'utilisateur doit lire et comprendre les instructions avant d'utiliser ce produit.

1. Avertissement — Certaines précautions de base doivent être toujours suivies lors de l'utilisation de l'appareil, y compris :
 2. Lire les instructions avant d'utiliser l'appareil.
 3. Savoir comment arrêter l'appareil et le dépressuriser rapidement. Connaître le fonctionnement de chaque bouton de commande.
 4. Définir un périmètre de sécurité.
 5. Ne pas s'étirer trop loin ou prendre place sur un support instable. Toujours garder une position stable et sûre.
 6. Suivre les directives d'entretien décrites dans le manuel.
 7. Pour éviter des blessures ou des dommages matériels et pour profiter au maximum de l'appareil, suivre les conseils de sécurité, instructions, avertissements et recommandations et se familiariser avec les commandes.
 8. Cette laveuse à pression est conforme aux normes de la CSA et à d'autres normes de sécurité. **NE PAS** modifier ni reconditionner les pièces de cette laveuse à pression.
 9. **NE PAS** utiliser cette laveuse à pression si vous êtes sous l'influence d'alcool ou de drogue. Utiliser cet appareil avec prudence et uniquement lorsque vous êtes alerte.
 10. Toujours garder une position stable et sûre pendant l'utilisation de la laveuse à pression. Les surfaces mouillées

sont glissantes et l'utilisation de détergent les rend encore plus dangereuses.

11. **NE JAMAIS** utiliser la laveuse à pression les pieds nus, en sandales ou avec des chaussures ouvertes.
12. Lorsque des enfants sont présents autour de la zone d'utilisation de la laveuse à pression, un adulte doit assurer la surveillance pour éviter le risque de blessures. **NE JAMAIS** permettre à un enfant d'utiliser la laveuse à pression.
13. Tenir les doigts, les mains, les pieds et toutes les parties du corps loin du jet d'eau à haute pression. Le jet d'eau à haute pression peut causer la cécité ou déchirer la peau. Il peut fracasser une vitre si la buse est trop proche de la fenêtre lorsqu'on appuie sur la gâchette du pistolet pulvérisateur.
14. Afin de prévenir les blessures aux yeux, **PORTER** toujours des lunettes de sécurité pendant l'utilisation de la laveuse à pression.
15. Pour éviter les accidents ou les blessures, **VERROUILLER** toujours la gâchette à l'aide du bouton de sûreté lorsque la laveuse à pression n'est pas en service, même si le jet a été arrêté temporairement.
16. La laveuse à pression est équipée d'un disjoncteur de fuite de terre afin de réduire le risque de décharge électrique pendant l'utilisation de l'appareil (Pour l'unité américaine seulement). S'il est nécessaire de remplacer la fiche ou le cordon d'alimentation, utiliser uniquement une pièce de remplacement identique.
17. Pointer le pistolet pulvérisateur vers une direction sécuritaire avant de commencer une séance de lavage.
18. Avertissement — **NE JAMAIS** utiliser le pistolet pulvérisateur pour arroser une personne, un animal, un appareil électrique ou la laveuse à pression.
19. À la première utilisation du pistolet pulvérisateur, tenir le pistolet et la lance à deux mains (une main pour appuyer sur la gâchette et l'autre pour stabiliser le pistolet et la lance) de manière à évaluer l'effet de rebond du pistolet pulvérisateur.
20. Lorsque l'alimentation électrique de la laveuse à pression est coupée, de l'eau sous pression demeure dans l'appareil. Pour relâcher la pression, pointer le pistolet pulvérisateur dans une direction sécuritaire et appuyer sur la gâchette.
21. **NE JAMAIS** pulvériser de liquide inflammable.
22. **NE JAMAIS** utiliser la laveuse à pression dans un espace rempli de poussières, de liquide ou de vapeurs combustibles.
23. Éviter tout contact entre le tuyau à HP et des objets tranchants et vérifier le tuyau régulièrement. Remplacer le tuyau s'il est endommagé. Puisque c'est un tuyau à haute pression, il ne peut pas à être réparé.
24. Utiliser uniquement un détergent spécialement conçu pour les laveuses à pression et suivre les instructions sur l'étiquette de la bouteille de détergent.
25. Utiliser des équipements de protection qui protégeront les yeux, les poumons et la peau contre l'exposition au détergent. Le savon à vaisselle et les détergents à lessive sont trop épais et boucheront la buse de la bouteille à détergent.

CONSIGNES DE SÉCURITÉ

26. **AVERTISSEMENT**-Si la connexion est faite à un système d'eau potable, le système doit être protégé contre les reflux.

ATTENTION

Lorsque la température extérieure est sous zéro, entreposer la laveuse à pression à l'intérieur pour éviter que l'eau dans l'appareil gèle. Le fait que l'eau gèle et augmente de volume aura pour effet d'endommager l'appareil et de le rendre inutilisable. Si l'appareil doit être entreposé à l'extérieur, il est recommandé d'utiliser un protecteur de pompe (non compris) pour protéger la pompe.

27. **NE JAMAIS** utiliser d'eau chaude dans la laveuse à pression. Cela aura pour effet de surchauffer la pompe à haute pression et de l'endommager.

28. **NE JAMAIS** laisser la laveuse à pression sans surveillance lorsque l'interrupteur est à la position « ON » (marche).

29. **TOUJOURS** ouvrir l'alimentation en eau avant de placer l'interrupteur électrique à la position « ON » (marche). Le fait de faire fonctionner la pompe à sec pourrait endommager ses composants internes.

30. **NE JAMAIS** utiliser une source d'alimentation en eau ayant une pression supérieure à 150 PSI.

31. **NE JAMAIS** débrancher le tuyau à haute pression de la laveuse à pression pendant que le système est sous pression.

32. **NE JAMAIS** bloquer la gâchette en position ouverte de manière permanente.

33. **NE JAMAIS** faire fonctionner la laveuse à pression si tous les composants ne sont pas branchés correctement et de manière sécuritaire.

34. **NE JAMAIS** laisser fonctionner la pompe de la laveuse à pression plus d'une minute après que l'alimentation en eau ait été coupée. Cela pourrait occasionner la surchauffe du moteur et de la pompe et causer une défaillance.

35. **NE JAMAIS** utiliser une lance ou un autre composant qui n'est pas compatible avec ce modèle.

36. **NE JAMAIS** brancher une rallonge au cordon d'alimentation de l'appareil. Cela compromettrait l'efficacité du disjoncteur de fuite de terre et augmenterait le risque d'électrocution de l'utilisateur (Pour l'unité américaine seulement).

37. **NE JAMAIS** arroser une prise électrique avec le jet du pistolet pulvérisateur.

38. Inspecter le cordon d'alimentation avant d'utiliser l'appareil. **NE PAS** utiliser l'appareil si le cordon d'alimentation est endommagé.

39. Restez en alerte - attention à ce que tu fais.

CONSERVER CES INSTRUCTIONS POUR RÉFÉRENCE ULTÉRIEURE.

Entretien d'un appareil à double isolation

Protection par un disjoncteur de fuite de terre (Pour l'unité américaine seulement):

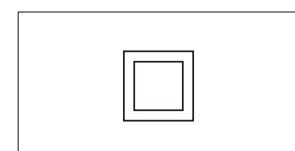
cette laveuse à pression est protégée par un disjoncteur de fuite de terre intégré dans la fiche du cordon d'alimentation. Ce dispositif fournit une protection additionnelle contre le risque de décharge électrique. S'il est nécessaire de remplacer la fiche ou le cordon d'alimentation, utilisez uniquement une pièce de remplacement identique comprenant un disjoncteur de fuite de terre.

Les appareils à double isolation comprennent deux dispositifs d'isolation à la place d'une prise de terre. Les appareils à double isolation ne sont pas équipés d'un dispositif de mise à la terre et ce type de dispositif ne devrait pas être raccordé au produit.

L'entretien d'un appareil à double isolation nécessite une attention et un savoir-faire particuliers et doit être confié à un technicien qualifié.

Les pièces de rechange d'un appareil à double isolation doivent être identiques à l'original.

Les produits à double isolation portent la marque « Double Insulation » ou « Double Insulated ». Certains produits peuvent également être marqués du symbole illustré ci-dessous.



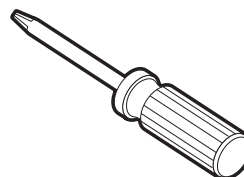
Produit à double isolation

PRÉPARATION

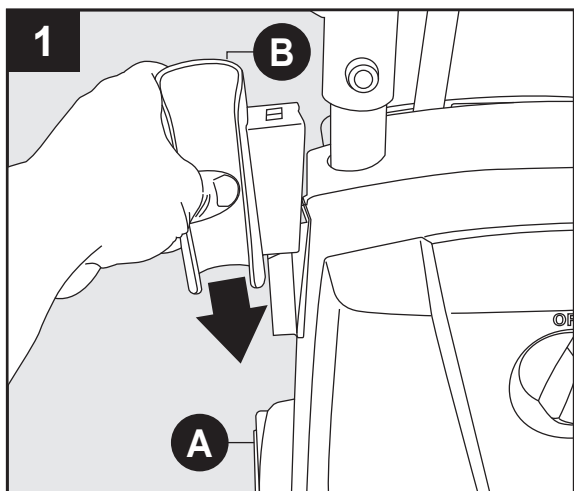
Avant de commencer l'assemblage de l'appareil, assurez-vous que toutes les pièces sont dans l'emballage. Comparez les pièces à la liste des pièces et du matériel. Dans le cas où une pièce est manquante ou endommagée, N'ESSAYEZ PAS d'assembler l'appareil. Veuillez appeler le service à la clientèle au 1-866-850-6662.

Temps d'assemblage approximatif : 5 minutes.

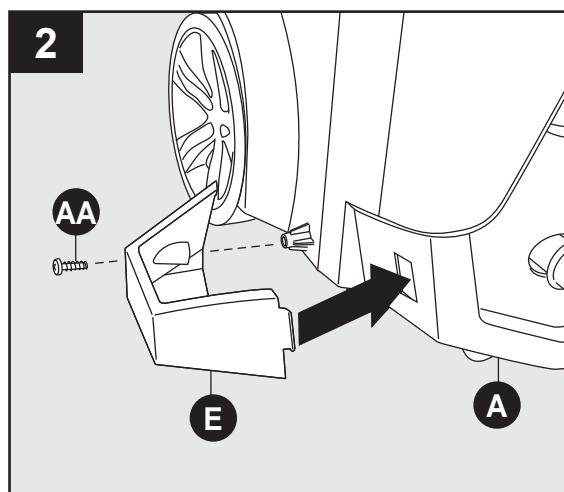
Outil nécessaire pour l'assemblage (non compris) :
Tournevis cruciforme.



INSTRUCTIONS D'ASSEMBLAGE



1
Assemblage de l'appareil
Placez l'appareil face contre vous, puis faites glisser l'étui à pistolet (B) sur le côté gauche de l'appareil (A) tel qu'illustré.

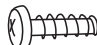


2
Glissez la languette dans la fente et vissez le plateau de buse (E) sur en bas à gauche, face à la laveur à pression (A). Fixez avec la vis (AA).

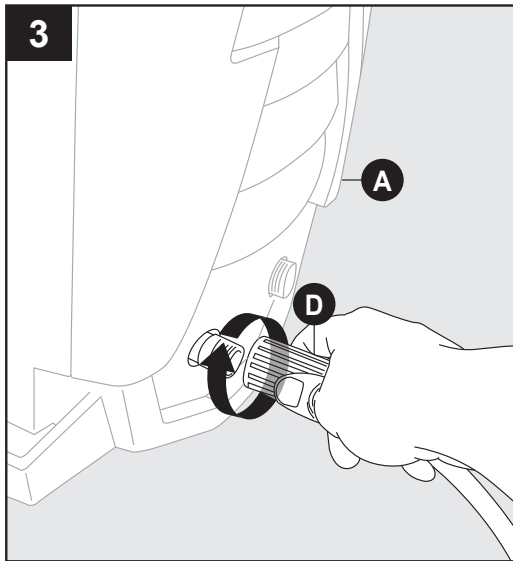
Remarque : n'utilisez pas de tournevis électrique. Lorsque la vis est complètement serrée, faites un petit tour final du tournevis dans le sens des aiguilles d'une montre. Ne pas trop serrer.

Remarque : Lorsque vous placez le pistolet avec la lance attachée, la buse reposera dans ce plateau.

Matériel utilisé :

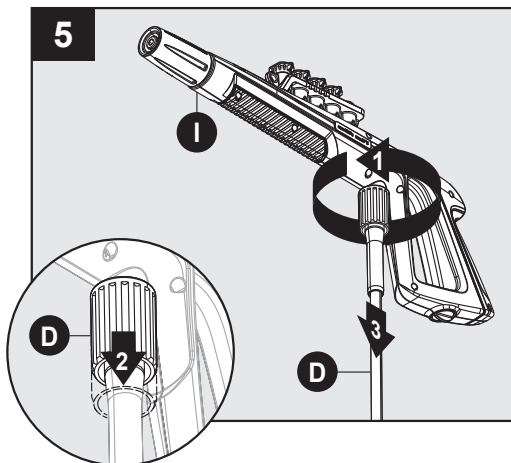
AA Vis  x 1

INSTRUCTIONS D'ASSEMBLAGE

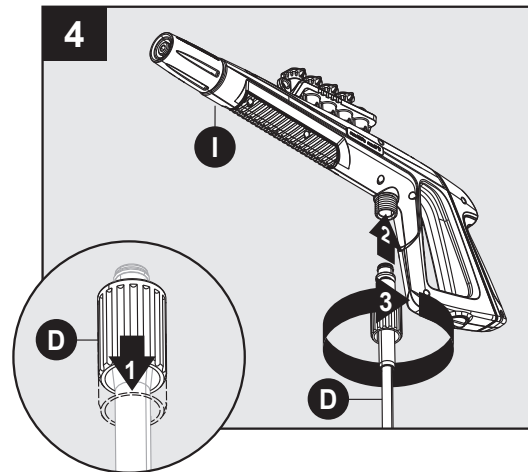


Assemblage du tuyau à haute pression
 Vissez le tuyau à haute pression (D) dans le sens horaire sur le raccord situé à la base, sur la face avant (A) de l'appareil. Retirez le collier vers l'arrière et insérez l'embout dans la sortie d'alimentation en eau suffisamment profondément de sorte que le collier puisse être vissé sur le filet et serré à la main. S'il faut faire moins de six tours, alors le raccord du tuyau à haute pression n'est pas correctement serré. Il est plus facile d'engager le collier sur le filet si la laveuse à pression est positionnée directement devant soi. Le fait de ne pas serrer correctement le tuyau à haute pression aura pour effet de déconnecter le tuyau dès que l'appareil sera mis en marche. Une telle situation n'endommagera pas l'appareil. Reconnectez simplement le tuyau et assurez-vous de le serrer correctement sur le raccord de l'appareil.

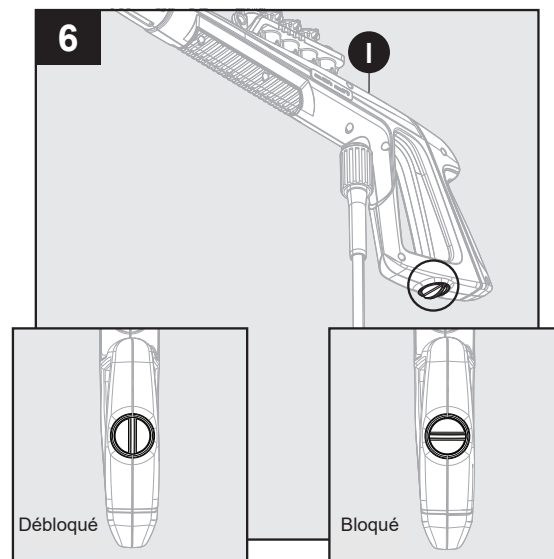
Remarque : **NE SERREZ PAS** avec une pince ou une pince-étau.



Collier de torsion puis tirez en arrière pour libérer le haut raccord de tuyau (D) de la pression du pistolet (I).



Tirez sur le collier à l'autre extrémité du tuyau haute pression (D). Appuyez fermement pour raccorder le tuyau pour pistolet (I). Tournez le collet pour garantir. Confirmez le tuyau est verrouillé en spray pistolet en tirant légèrement dessus. Le tuyau est maintenant solidement fixé pour pistolet.

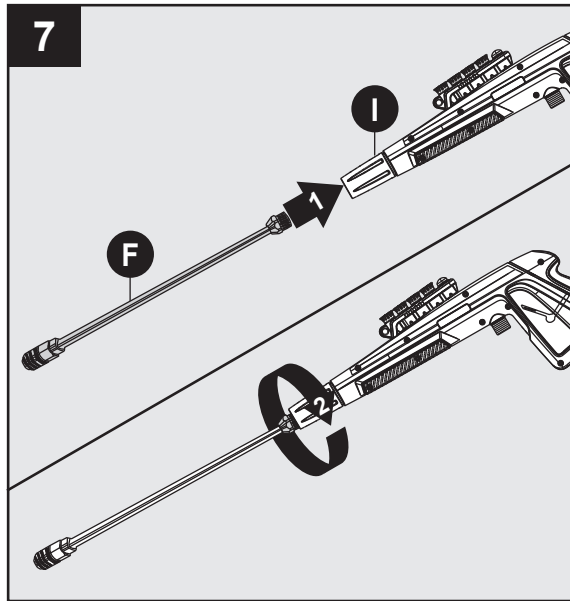


Pistolet de pulvérisation de blocage (avant l'installation de la Lance)

À verrouillage gâchette du pistolet de pulvérisation (I), pointer le pistolet. à vous et tourner à composer à verrou (position "3" et "9"). Squeeze ou appuyer sur la gâchette pour s'assurer qu'il est verrouillé. **TOUJOURS** laisser en position verrouillée lorsque pas en utilisation. Cela garantit que l'arme est en mode « sans échec » jusqu'à ce qu'il est prêt à l'emploi. Tourner le cadran pour débloquer ("12" et "6" position) à relâcher la gâchette du pistolet de pulvérisation.

Remarque : Le verrou empêche le déclenchement d'être engagé accidentellement.

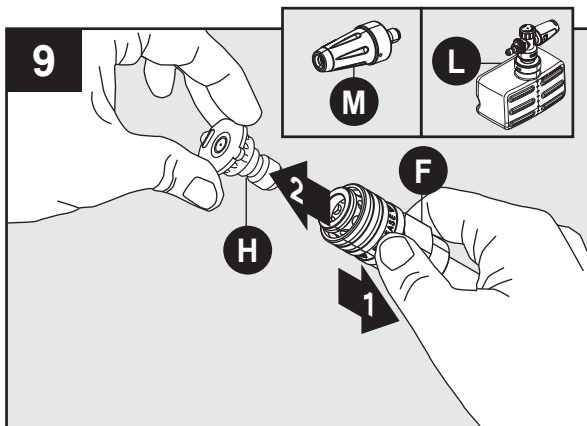
INSTRUCTIONS D'ASSEMBLAGE



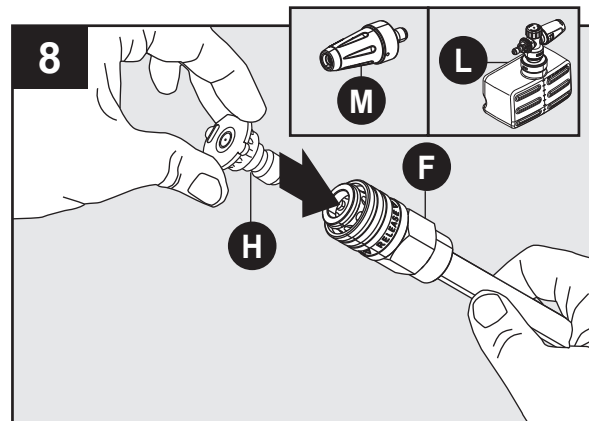
I Installation de la lance

Alors que le pistolet pulvérisateur (I) est verrouillé, insérez la lance (F) dans le pistolet, puis poussez et tournez dans le sens horaire. Pour retirer, poussez en tournant dans le sens anti-horaire.

Remarque : Poussez toujours le bouton de verrouillage de sécurité pour verrouiller la gâchette lorsque vous changez de lance afin de ne pas risquer d'éjecter accidentellement la lance durant le démontage.

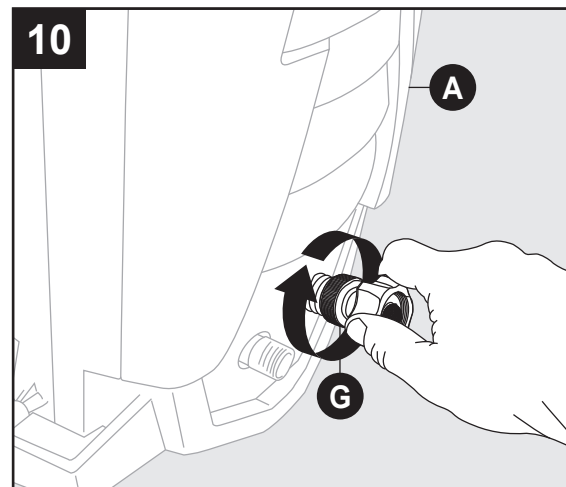


Pour retirer la buse (H), la buse rotative (M) ou le canon à mousse (L), tirez sur le collier de la lance (F) et retirez la buse.



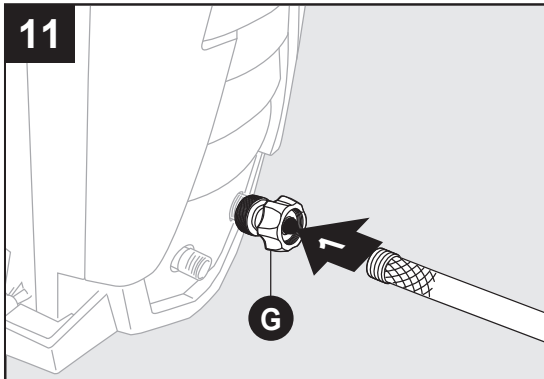
Fixez les buses (H), la buse rotative (M) ou le canon à mousse (L) à l'extrémité de la lance (F) en appuyant sur la buse sélectionnée pour la mettre en place. Il émettra un « clic » lorsqu'il sera fermement en place.

Remarque : Verrouillez toujours la gâchette lorsque vous remplacez la lance et les buses afin de prévenir leur éjection accidentelle.



Installation de l'adaptateur de tuyau d'arrosage
Raccordez l'adaptateur du tuyau d'arrosage (G) dans l'embout d'alimentation en eau de la laveuse à pression (A). Serrez à la main.

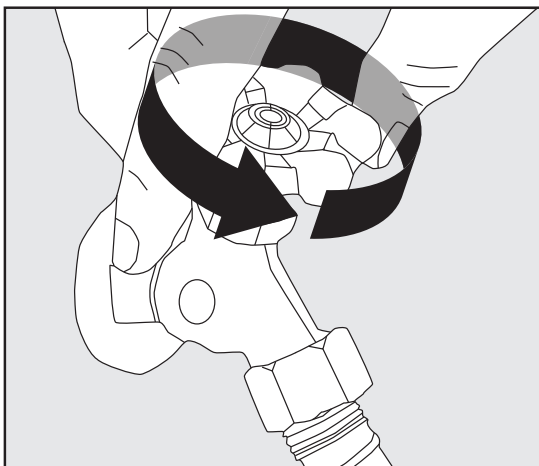
INSTRUCTIONS D'ASSEMBLAGE



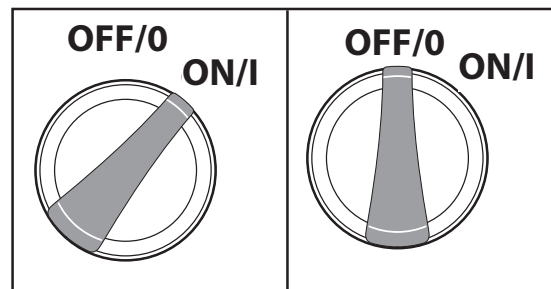
Fixer un tuyau d'arrosage à l'adaptateur de tuyau d'arrosage (G).

Remarque : Rincez le tuyau d'arrosage avant de le raccorder à l'adaptateur rapide pour tuyau d'arrosage.

MODE D'EMPLOI

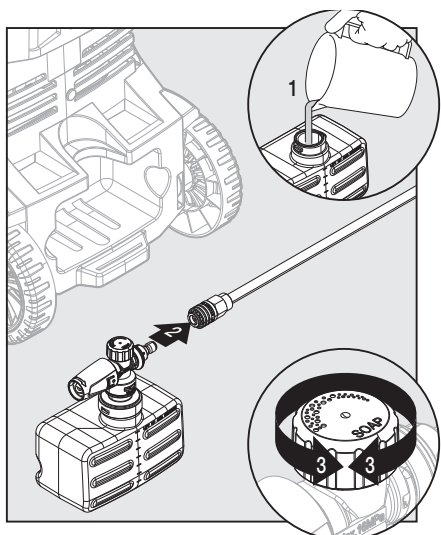
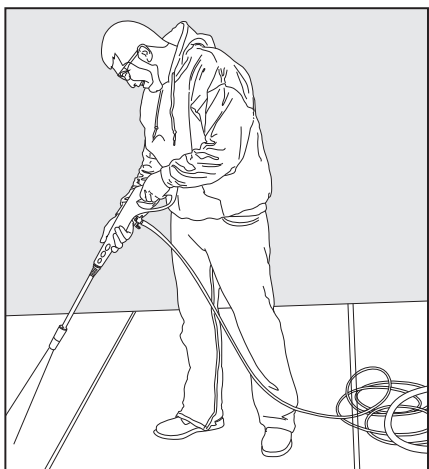


- Assurez-vous que l'interrupteur « ON/OFF » (marche/arrêt) est à la position « OFF » (arrêt). L'interrupteur est marqué des symboles internationaux « on » et « off ». On (I) Off (O).
- Déroulez complètement le cordon d'alimentation et branchez le disjoncteur de fuite de terre dans une prise 120 V reliée à la terre (Pour l'unité américaine seulement).
- Ouvrez complètement le robinet d'alimentation en eau.
- Relâchez le bouton de sûreté de la gâchette et remettez-le en place. Pointez le pistolet dans une direction sécuritaire, puis appuyez sur la gâchette du pistolet jusqu'à ce que l'eau s'écoule en continu après avoir purgé l'eau et l'air emprisonnés dans le tuyau d'arrosage. Poussez le verrou de la gâchette pour le verrouiller.



- Placez l'interrupteur à la position « ON » (I). L'appareil se met en marche pendant une à deux secondes et s'arrête. Il s'agit du fonctionnement normal du mode de mise en marche automatique. Appuyez sur la chette ulvérisateure à pression. Enfoncez complètement la gâchette jusqu'à la poignée pour commencer le lavage à pression.
- Relâchez la gâchette pour arrêter le lavage à pression.
- Laissez le moteur s'arrêter complètement avant d'appuyer de nouveau sur la gâchette.
- Le fait de serrer la gâchette trop rapidement nuit au bon fonctionnement de la fonction de démarrage automatique qui pourrait sauter un cycle marche/arrêt. Cette situation pourrait retarder la reprise automatique du moteur. Le fait d'appuyer lentement sur la gâchette permet d'éviter ces symptômes.
- Faites toujours un essai sur une petite surface pour éviter tout risque d'endommagement.

MODE D'EMPLOI



Fixez le QC mousse Canon (stocké à l'arrière du nettoyeur haute pression) dans l'extrémité de la lance en appuyant sur le canon en place. Il fera un « clic » sonore fois fermement en place.

Remarque : Toujours verrouiller pistolet lors du changement de la mousse Canon pour s'assurer que ce n'est pas éjecté avec force.

- Lorsque vous utilisez le canon à mousse, remplissez-le avec un détergent formulé correctement ou un nettoyant avec rapport d'eau conformément aux instructions sur le contenant.
- **NE PAS** utiliser de détergents de type gel épais qu'ils boucheront la rondelle de puissance et peuvent causer des dommages.
- La lave va tirer un ratio d'eau à détergent de 10:1 ou 10 parties d'eau pour 1 volume de détergent. La concentration de détergent peut être ajustée en tournant le bouton de détergent sur le dessus du canon. Tourner à gauche pour plus de concentration ou tourner à droite pour moins de concentration.

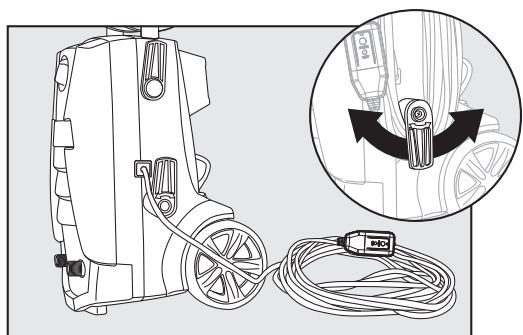
Conseils d'utilisation

- Remarque: tester le GFCI (Pour l'unité américaine seulement) avant chaque utilisation:
 1. Branchez le GFCI dans la prise de courant. L'indicateur devrait tourner au vert pour montrer que le cordon a la puissance.
 2. Appuyer sur le bouton test, l'indicateur vert doit s'éteindre pour vérifier que le GFCI coupe l'alimentation du cordon.
 3. Appuyer sur le bouton Reset – l'indicateur vert doit s'allumer pour montrer que le cordon est à nouveau alimenté.
 4. lorsque le GFCI fonctionne correctement, l'indicateur vert s'allume lorsque l'alimentation est appliquée. Si l'indicateur vert s'éteint, il a détecté une fuite électrique et le GFCI a coupé l'alimentation de l'appareil.
- Il est normal d'entendre le moteur tourner par intermittence, même lorsque la gâchette n'est pas enfoncée. C'est la pompe qui s'amorce pour être en mesure de fonctionner lorsqu'on appuie sur la gâchette. Éteignez la laveuse à pression si elle n'a pas été utilisée après cinq minutes.
- Le joint torique du côté baïonnette de la buse doit être nettoyé régulièrement et lubrifié avec de la graisse hydroinsoluble telle que de la gelée de pétrole.
- Gardez le fil de nettoyage de la buse bien propre en vue de l'utiliser pour désincruster la buse. Si vous perdez le fil de nettoyage, un trombone déplié peut aussi faire l'affaire.

Comment éviter d'endommager les surfaces

- Les dommages aux surfaces en cours de nettoyage se produisent parce que la force d'impact de la pression d'eau est supérieure à la résistance de la surface. Il est possible de pénétrer le bois nu, d'écailler la peinture, etc. On peut modifier la pression de l'appareil en agissant sur les éléments suivants :
 1. L'angle de la surface à nettoyer.
 2. La distance entre la buse et la surface à nettoyer.
- **N'UTILISEZ JAMAIS** un jet d'eau étroit à haute pression sur des surfaces lisses susceptibles de s'endommager.
- Utilisez la buse à connexion rapide de 25° pour nettoyer les vitres. Appuyez sur la gâchette et faites varier la forme et l'angle de pulvérisation jusqu'à l'obtention d'une efficacité de nettoyage optimale.

MODE D'EMPLOI



Utilisation du cordon d'alimentation

- Retirez facilement le cordon d'alimentation du côté de l'appareil en faisant pivoter le crochet jaune du cordon du bas vers la droite jusqu'à ce qu'il se trouve face vers le haut. Le cordon d'alimentation peut alors être glissé sur le côté de la laveuse à pression.
- Pivotez le crochet jaune du cordon vers le bas lorsque vous êtes prêt à enrouler le cordon pour l'entreposage.

ENTRETIEN ET MAINTENANCE

Détergents

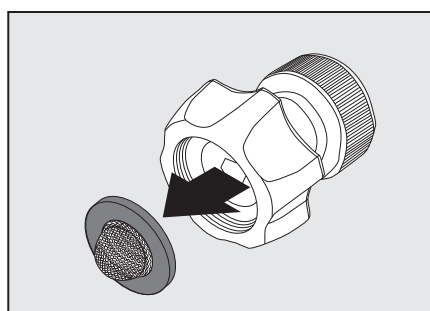
- Utilisez un détergent conçu pour les laveuses à pression. Les quincailleries ou centres de rénovation offrent également des détergents pour laveuse à pression adaptés à vos différents projets de nettoyage. La solution de nettoyage doit présenter la même fluidité que l'eau pour prévenir toute obstruction de la buse et de la bouteille de détergent.
- Ce système applique le détergent à basse pression. La puissance nettoyante des détergents est accrue lorsque la pression est faible, car la saleté et la crasse ont plus de temps pour se dissoudre. La combinaison de la basse pression et de l'action chimique est très efficace et peut être plus efficace que le frottement si elle est correctement appliquée. **VAPORISEZ TOUJOURS** le détergent sur une surface sèche. **NE MOUILLEZ PAS** la zone à nettoyer. Le fait de mouiller la surface dilue le détergent et réduit sa capacité de nettoyage. **NE LAISSEZ PAS** le détergent sécher sur la surface. Sur les surfaces verticales, appliquez le détergent à partir de la base vers le haut pour empêcher la formation de dégoulinades dans la saleté. Pour la même raison, rincez le détergent avec la laveuse à pression en partant de la base.
- Si une tache est particulièrement tenace, vous devrez peut-être appliquer davantage de détergent et utiliser une brosse à soie douce pour frotter la tache. Lavez de nouveau pour compléter le travail.

Adaptateur de tuyau de jardin de nettoyage

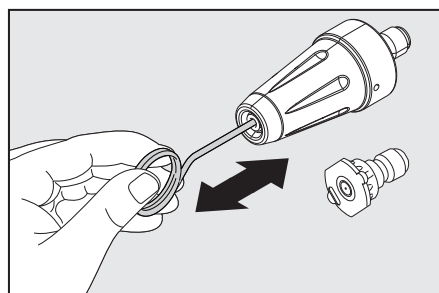
- L'écran à l'intérieur de l'adaptateur doit être nettoyé périodiquement. Retirez-le en faisant glisser un pouce sur l'écran avec suffisamment de pression pour tirer l'écran et la laveuse. Rincez-le avec de l'eau propre, puis replacez-le dans l'adaptateur.

Nettoyage des buses

- Une buse obstruée ou partiellement obstruée peut provoquer une importante réduction de la pression d'eau à la sortie ou provoquer des pulsations du jet sortant de l'appareil.



- Éteignez l'appareil.
- Coupez l'arrivée d'eau à l'appareil.
- Libérez la pression emprisonnée dans le tuyau. Pour ce faire, appuyez sur le déclencheur 2 ou 3 fois, puis verrouillez le pistolet pulvérisateur en poussant le bouton de blocage de la gauche vers la droite.
- Retirez la lance du pistolet pulvérisateur.
- À l'aide du nettoyeur de buse (ou d'un trombone déplié), insérez le fil dans l'orifice de la buse et déplacez-le d'avant en arrière plusieurs fois jusqu'à ce que les débris soient délogés.
- Tapez plusieurs fois l'extrémité du raccord rapide de la lance sur une surface dure.
- Faites passer l'eau de rinçage dans la buse à l'aide du tuyau d'arrosage. Utilisez la pression la plus élevée possible (soit avec la buse standard ou avec votre pouce sur la buse pour créer une pression d'eau).



ENTRETIEN ET MAINTENANCE

Entreposage

- Lorsque le Rondelle à pression est terminé, éteignez l'interrupteur qui se trouve à l'avant de l'appareil. Débranchez le cordon d'alimentation de la prise. Coupez l'arrivée d'eau. Tirez sur la gâchette du pistolet pulvérisateur 2 ou 3 fois pour vider l'excès d'eau et libérer toute pression résiduelle. Débranchez l'adaptateur du tuyau d'arrosage de l'embout d'admission d'eau. **NE LAISSEZ PAS** la laveuse à pression fonctionner si l'alimentation en eau n'est pas ouverte.
- Retirez le flexible à haute pression du pistolet pulvérisateur.
- Retirez la lance du pistolet. Placez le pistolet dans le support latéral. Placez les lances dans l'un ou l'autre des réceptacles qui se trouvent à l'arrière de l'appareil.
- Assurez-vous de vider le détergent en excès dans la bouteille. Le produit chimique résiduel collera au récipient qui pourrait devenir contaminé, et peut causer l'injecteur de détergent pour obstruer et ne pas fonctionner correctement. Rincez la bouteille et la buse à l'eau claire pour prévenir toute obstruction.
- Accrochez le cordon d'alimentation autour du crochet à cordon situé du côté droit de l'appareil lorsque vous y faites face.
- Le tuyau de pression est stocké sur le crochet de tuyau situé à l'arrière de la poignée.
- **NE RANGEZ PAS LA RONDELLE D'ALIMENTATION OÙ ELLE EST EXPOSÉE AUX TEMPÉRATURES DE CONGÉLATION, SAUF SI VOUS UTILISEZ UN ANTIGEL CONÇU POUR LES POMPES.** Entreposer la rondelle d'alimentation à l'intérieur pour éviter que l'eau de l'appareil ne s'étende dans des conditions de congélation. Lorsque l'eau gèle et se dilate, votre laveuse électrique sera endommagée et deviendra inutilisable. Ou, si vous entreposez à l'extérieur, il est recommandé d'utiliser l'économiseur de pompe (non inclus) pour protéger les pompes.

PROTECTEUR DE POMPE

Le protecteur de pompe est un produit qui protège et prolonge la vie de la pompe. Les pièces internes de la pompe resteront ainsi lubrifiées et protégées du gel lors de leur entreposage, peu importe le climat. Il aide également à protéger l'appareil de la corrosion interne. Le numéro de pièce BE Power Equipment est le : 85.490.046

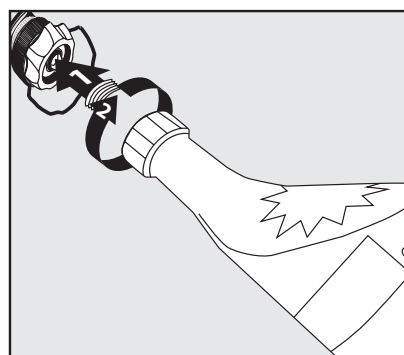
Instructions relatives au protecteur de pompe

Suivez les instructions d'entreposage de la laveuse à pression. Pour prévenir les taches, protégez la surface qui se trouve sous la laveuse à pression de tout excès de liquide. Portez une protection oculaire lorsque vous utilisez ce produit.

Mettez l'unité hors tension et débranchez le pistolet avant d'ajouter protecteur de pompe. Dévisser fileté haut de la bouteille à retirer l'obturateur et le rattacher fileté haut en bouteille. Enlevez noir capuchon du flacon.

- 1) haut Place de la bouteille de veille pompe sur le jardin adaptateur.
- 2) fixer flacon de veille pompe en tournant dans un sens horaire direction.
- 3) allumer le moniteur.
- 4) Presser la bouteille pour l'aider dans la pompe.
- 5) Éteignez l'appareil lorsque l'économiseur de la pompe quitte la sortie d'eau de la machine.

Remarque : Les instructions qui s'affichent sur la bouteille du protecteur de pompe sont génériques et non spécifiques au modèle.



DÉPANNAGE

Pour toute question concernant le produit, communiquez avec le service à la clientèle au 1-866-850-6662.

PROBLÈME	MESURE CORRECTRICE
L'appareil ne se met pas en marche.	<ol style="list-style-type: none"> 1. Le disjoncteur de fuite de terre à l'extrémité du cordon d'alimentation doit être branché directement dans une prise. 2. N'utilisez pas une rallonge électrique. 3. Une fois le disjoncteur de fuite de terre branché, vérifiez que l'appareil est sous tension. <p>Remarque : Lorsque l'interrupteur d'alimentation est allumé, la laveuse à pression se met en marche d'elle-même pendant 1 à 2 secondes, puis s'éteint. C'est normal.</p>
Je n'arrive pas à connecter le tuyau à haute pression (HP) au pistolet pulvérisateur ou bien il ne reste pas connecté. Est-ce que le pistolet pulvérisateur est défectueux?	<ol style="list-style-type: none"> 1. Dans la plupart des cas, le pistolet pulvérisateur n'est pas en cause. Le problème se trouve plutôt au niveau du manchon de caoutchouc qui couvre le raccord d'extrémité du tuyau à haute pression. Il a probablement glissé en direction de l'embout métallique. Pour corriger : remuez ou tirez le manchon de caoutchouc vers le bas jusqu'à ce que l'embout soit bien visible, plus de 1/8 po du raccord métallique sous l'embout. Essayez maintenant d'insérer l'embout de tuyau dans le pistolet pulvérisateur. Vous devriez entendre un clic lorsqu'il s'enclenche et il ne se déclenchera pas jusqu'à ce que le tuyau soit libéré en poussant le levier qui est sur le côté du pistolet. Vous pouvez découper l'extrémité du manchon à l'aide d'un couteau pointu si vous n'arrivez pas à déplacer le manchon vers le bas. Attention de ne pas couper et de ne pas percer le tuyau. 2. Ne poussez pas le bouton de dégagement lors de la connexion du flexible à haute pression.
L'appareil fonctionne mais l'eau ne s'écoule pas.	<ol style="list-style-type: none"> 1. la puissance ne doit pas être mise en marche tant que l'eau ne passe pas par le pistolet pulvérisateur. Cela va endommager le moteur. 2. vérifier la source d'eau. 3. éjecter la buse de la lance pour déterminer si le sabot provient de la buse (si la buse est obstruée, voir les instructions de nettoyage de la buse sous «buses de nettoyage»). 4. Enlevez la lance et vaporisez-la à l'extérieur du pistolet pulvérisateur. Cela indiquera si le problème est avec la lance. 5. Vérifiez l'adaptateur de tuyau de jardin pour une connexion lâche et le filtre pour les débris.
Pourquoi l'eau fuit-elle lorsque le tuyau à haute pression se connecte au pistolet pulvérisateur?	<ol style="list-style-type: none"> 1. Assurez-vous que l'extrémité de l'embout de métal du tuyau à haute pression possède un joint torique. Si ce n'est pas le cas, l'eau fuira entre le tuyau et le pistolet pulvérisateur. Le kit de remplacement de joint torique (K) est inclus avec l'achat.
Je n'arrive pas à retirer la lance du pistolet pulvérisateur. Que dois-je faire?	<ol style="list-style-type: none"> 1. Les lances et les bouteilles de détergent sont fixées et retirées du pistolet de la même façon. Insérez le raccord rapide à l'extrémité de la lance ou de la bouteille de détergent dans la lance. Enfoncez la lance dans le pistolet (environ 1/8 po) et tournez dans le sens horaire. La lance se verrouillera en place. Retirez la lance en inversant la procédure. Enfoncez la lance dans le pistolet et tournez dans le sens anti-horaire. La lance glissera vers l'extérieur. 2. Ou placez la lance et le pistolet en position verticale avec la buse au sol. Poussez l'ensemble vers le sol pour desserrer le raccord, puis suivez la procédure de retrait. Vous pouvez également vaporiser de l'eau savonneuse ou du lubrifiant au point de raccordement de la lance et du pistolet.

DÉPANNAGE

PROBLÈME	MESURE CORRECTRICE
La laveuse à pression se met en marche pendant deux secondes, s'arrête et ne se remet pas en marche. Est-ce que mon appareil est défectueux?	<ol style="list-style-type: none">1. Il semble que votre laveuse à pression fonctionne parfaitement bien. Lorsque l'eau est raccordée, que les accessoires sont correctement assemblés et que l'interrupteur est à la position marche, la laveuse à pression se met en marche pendant 1 à 2 secondes pour amorcer la pompe. Elle s'éteint ensuite automatiquement et attend que la gâchette du pistolet pulvérisateur soit enfoncée. Une fois la gâchette enfoncée, l'eau commence à s'écouler à travers la pompe. Le capteur d'eau de la pompe détecte l'eau qui passe et met automatiquement en marche la laveuse à pression.2. Éteignez l'interrupteur, puis maintenez la gâchette du pulvérisateur enfoncée afin d'avoir un jet d'eau uniforme. Pendant que vous maintenez la gâchette en position ouverte pulvérisateur, tournez en même temps l'interrupteur d'alimentation pour le mettre en marche.

GARANTIE LIMITÉE

BE Power Equipment Inc. garantit à l'acheteur d'origine que nos nouveaux produits sont exempts de défauts de matériaux et de fabrication selon les conditions indiquées. Si un défaut est détecté dans un produit BE Power Equipment dans les limites décrites dans cette déclaration de garantie, BE Power Equipment réparera, remplacera ou remboursera le produit, à sa seule discrétion.

La couverture de la garantie commence à la date d'achat par l'utilisateur final. Une preuve d'achat valide doit être soumise avec la demande de garantie.

Cette garantie est limitée aux défauts survenant lors d'une utilisation normale. Elle ne couvre pas les pannes causées par un manque d'entretien, une négligence, un abus ou une mauvaise utilisation, y compris, mais sans s'y limiter, les dommages causés par le gel, les altérations, la détérioration chimique, l'accumulation de tartre, la rouille, le choc thermique, la dilatation thermique, les dommages causés par le transport, les vidanges d'huile, les réglages de soupapes, l'entretien du système de carburant ou l'utilisation de pièces incorrectes. De plus, l'utilisation d'un carburant, d'une eau ou d'une source d'énergie incorrecte est considérée comme une mauvaise utilisation.

Cette garantie ne couvre pas les éléments d'usure normale tels que les joints toriques, les valves, les joints, les filtres, les bougies d'allumage ou les joints. Ce sont des éléments d'usure normale et doivent être pris en compte dans votre horaire d'entretien régulier.

Cette garantie remplace toutes les autres garanties, expresses ou implicites, y compris toute garantie implicite d'adéquation à un usage particulier. BE Power Equipment n'autorise aucun de ses distributeurs, centres de service, agents, employés ou toute autre partie à étendre, étendre ou modifier la portée de cette garantie de quelque manière que ce soit au nom de BE Power Equipment.

BE Power Equipment décline expressément toute responsabilité en cas de blessures corporelles ou de biens, de dommages accessoires, de perte de location, de perte de temps, de frais de transport ou de dommages consécutifs. Il incombe à l'acheteur d'assurer la bonne installation, application et utilisation du produit acheté. La garantie dure un an (5 ans à compter de l'enregistrement dans les 90 jours suivant l'achat) et commence à la date d'achat par l'utilisateur final. Une preuve d'achat valide doit être soumise avec votre demande de garantie.



GARANTIE LIMITÉE

GARANTIE PROLONGÉE DES PRODUITS ENREGISTRÉS

BE offre une prolongation de garantie pour ses produits lors de l'inscription sur le site. Pour bénéficier de la garantie prolongée, les produits doivent être enregistrés dans les 90 jours suivant l'achat. BE se réserve le droit de déterminer si la défaillance est due à un défaut de fabrication ou de fabrication et est la cause d'une défaillance prématurée.

ENREGISTREMENT DU PRODUIT

Le formulaire d'enregistrement du produit se trouve à l'adresse suivante :
bepowerequipment.com/pages/product-registration

PROCÉDURE DE GARANTIE

Veuillez contacter le service technique BE au 1-866-850-6662 ou nous envoyer un courriel (servicecenter@bepression.com) avec les renseignements suivants :

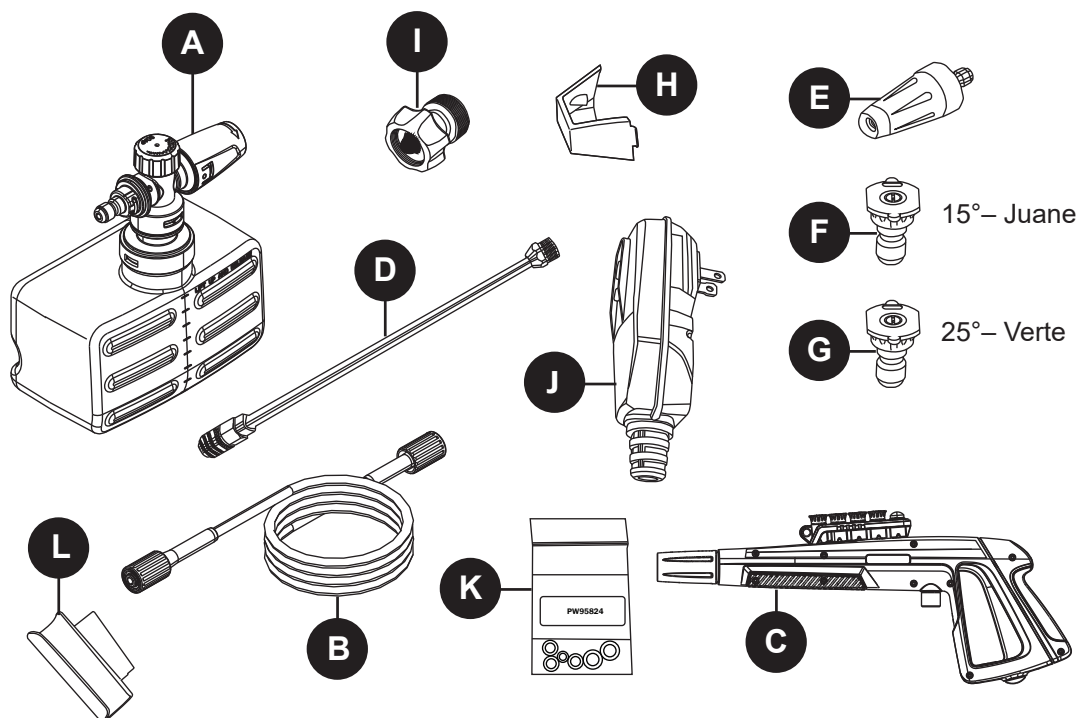
- Numéro de modèle/pièce
- Numéro de série (le cas échéant)
- Copie du reçu d'achat original
- Description détaillée du défaut
- Tout détail ou photo supplémentaire pertinent à la situation

CENTRES DE SERVICE AUTORISÉS « BE »

Les centres de service agréés BE sont situés à :
bepowerequipment.com/pages/find-a-service-center

LISTE DES PIÈCES DE RECHANGE

Pour les pièces de rechange, communiquez avec le service à la clientèle au numéro 1-866-850-6662, 8 h à 16:30 h, HNC, du lundi au vendredi, heure normale du Pacifique.



PART	DESCRIPTION	PART	DESCRIPTION
A	Canon mousse haute pression (34 oz)	H	Bac à buse
B	Tuyau à haute pression	I	Adaptateur de tuyau d'arrosage
C	Pistolet pulvérisateur	J	Disjoncteur de fuite de terre (Pour l'unité américaine seulement)
D	Lance d'extension	K	Ensemble de joints toriques
E	Buse rotative	L	Étui de pistolet
F	15° Buses à raccord rapide		
G	25° Buses à raccord rapide		

BE POWER[®] **EQUIPMENT**



P2115EN

2,150 PSI

MANUAL

DEL OPERADOR

LAVADORA A PRESIÓN ELÉCTRICA

BEPOWEREQUIPMENT

.COM

TABLA DE CONTENIDO

Especificaciones del producto.....	34
Contenido del paquete	35
Aditamentos.....	35
Información de seguridad	36
Instrucciones de montaje.....	38
Instrucciones de operación.....	41
Cuidado y mantenimiento.....	43
Protector de la bomba	44
Solución de problemas	45
Garantía limitada	46
Lista de piezas de repuesto.....	47



ESPECIFICACIONES DEL PRODUCTO

ESPECIFICACIONES							
Modelo	Máx. PSI (kg/cm ²) (lb/pulgada ²)	Máx. GPM (Litro/min) (gal/por min)	Agua fría	Voltios	Frecuencia (Hz)	Amperios	Peso (kg) (lb)
P2115EN	6292 (2150)	6.1 (1.6)	✓	120	60	13	12.2 (26.9)



INFORMACIÓN DE SEGURIDAD

Por favor lea y entienda todo este manual antes de intentar ensamblar y operar el producto.

Este manual contiene información relacionada con la **PROTECCIÓN DE LA SEGURIDAD PERSONAL** y la **PREVENCIÓN DE PROBLEMAS DEL EQUIPO**. Es muy importante que lea atentamente este manual y que lo comprenda completamente antes de utilizar el producto. Los símbolos que se describen a continuación se utilizan para indicar esta información.



PELIGRO

Peligro potencial que puede provocar lesiones graves o incluso la muerte.



ADVERTENCIA

Peligro que podría provocar lesiones graves o incluso la muerte.



PRECAUCIÓN

Peligro potencial que puede provocar lesiones moderadas o daños al equipo.

Nota: La palabra “Nota” se utiliza para informar al lector de algo que el operador debe saber acerca de la herramienta.



ADVERTENCIA

Para reducir el riesgo de lesiones, el usuario debe leer y comprender las instrucciones antes de utilizar este producto.

1. Advertencia: al utilizar este producto, siempre se deben seguir las precauciones básicas, incluido lo siguiente:
2. Lea todas las instrucciones antes de usar el producto.
3. Obtenga el conocimiento de cómo detener el producto y purgar la presión rápidamente. Esté completamente familiarizado con los controles.
4. Mantenga el área de operaciones sin personas.
5. No se estire demasiado ni se pare sobre un soporte inestable. Mantenga una buena posición y el equilibrio en todo momento.
6. Siga las instrucciones de mantenimiento como se especifica en el manual.
7. Para evitar lesiones personales o daños a la propiedad y para maximizar su experiencia con la lavadora a presión, siga cuidadosamente todos los consejos de seguridad, instrucciones, advertencias y salvaguardias, y familiarícese con todos los controles.
8. Esta lavadora a presión cumple con las normas de la

Asociación de Normas Canadiense (CSA) y otras normas de seguridad y del consumidor. NO modifique o reconstruya ninguna pieza de la lavadora a presión.

9. **NO** utilice la lavadora a presión cuando se encuentre bajo la influencia del alcohol o de drogas. Utilice esta herramienta a presión cuidadosamente y solo cuando esté atento.
10. Cuide su equilibrio y postura al utilizar la lavadora a presión. Las superficies se vuelven resbaladizas al mojarse y son extraordinariamente resbaladizas al usar un detergente o limpiador.
11. **NUNCA** opere la lavadora a presión descalzo, con sandalias o zapatos abiertos.
12. Cuando utilice la lavadora a presión cerca de niños, asegúrese de que estén siendo supervisados de cerca por un adulto para evitar lesiones. **NUNCA** permita que un niño utilice la lavadora a presión.
13. Mantenga los dedos, las manos, los pies y cualquier parte del cuerpo a distancia de la corriente de agua de alta presión. El rociador de alta potencia puede ocasionar ceguera o hacer estallar la piel. Puede romper una ventana si se encuentra demasiado cerca al accionar el gatillo de la pistola rociadora.
14. **SIEMPRE** utilice gafas de protección para evitar lesiones a los ojos al operar la lavadora a presión.
15. Para evitar accidentes o lesiones, **SIEMPRE** use el bloqueo de seguridad del gatillo cuando no utilice la lavadora a presión, incluso si la rociadura se detiene por un momento.
16. La lavadora a presión está equipada con un interruptor de circuito por falla a tierra (GFCI) (Sólo para unidades de EE. UU.), que reduce en gran medida el riesgo de una descarga eléctrica mientras la unidad está en uso. Si es necesario reemplazar el conector o el cable, utilice solo piezas de repuesto idénticas.
17. Apunte la pistola rociadora en una dirección segura al iniciar una sesión de lavado a presión.
18. **ADVERTENCIA-NUNCA** rocíe directamente a una persona, animal, dispositivo eléctrico ni rocíe la propia unidad.
19. Cuando use la pistola de rociadora, sostenga la pistola rociadora y la lanza con las dos manos cuando tire del gatillo (una mano para tirar el gatillo y la otra para estabilizar el ensamble de la pistola) hasta que se acostumbre al “retroceso” de la pistola rociadora.
20. Al presionar el interruptor de alimentación para apagar la lavadora a presión, la presión del agua puede quedarse en el sistema. Para descargar la presión, apunte la pistola rociadora en una dirección segura y tire el gatillo.
21. **NUNCA** rocíe líquidos inflamables.
22. **NUNCA** use la lavadora a presión en áreas que contengan polvo, líquidos o vapores combustibles.

INFORMACIÓN DE SEGURIDAD

23. Evite el contacto de la manguera de presión con objetos afilados e inspeccione la manguera con regularidad. Reemplace si se daña. Debido a la alta presión implicada, no se puede reparar si se corta o daña.
24. Solo use el detergente formulado específicamente para lavadoras a presión y siga las instrucciones en la etiqueta del detergente.
25. Proteja los ojos, los pulmones y la piel de la exposición al detergente.
26. **ADVERTENCIA**-Si se hace la conexión a un sistema de agua potable, el sistema debe estar protegido contra el reflujo.

PRECAUCIÓN

- Almacene la lavadora a presión bajo techo para evitar que el agua en la unidad se expanda en condiciones muy frías. Al congelarse y expandirse el agua, la lavadora a presión se dañará y dejará de funcionar. O bien, si se almacena al aire libre, se recomienda que utilice el protector de la bomba (no incluido) para proteger las bombas.
27. **NUNCA** use agua caliente con la lavadora a presión. Esto sobrecalentará y dañará la bomba de presión alta.
 28. **NUNCA** abandone la lavadora a presión mientras está encendida "ON".
 29. **SIEMPRE** abra el suministro de agua "ON" antes de conectar la alimentación de la lavadora a presión en "ON". Poner en funcionamiento la bomba en seco ocasionará

- daños en los componentes internos.
30. **NUNCA** utilice para la lavadora a presión un suministro de agua que exceda los 150 PSI máximo.
 31. **NUNCA** desconecte la manguera de presión alta de la lavadora a presión mientras se presuriza el sistema.
 32. **NUNCA** enganche de manera permanente los dispositivos del gatillo de la pistola rociadora.
 33. **NUNCA** opere la lavadora a presión a menos que todos los componentes estén conectados de manera correcta y segura.
 34. **NUNCA** permita que la bomba de la lavadora a presión funcione por más de un minuto después de cerrar el suministro de agua. Esto puede ocasionar que el motor y la bomba se sobrecalienten y fallen.
 35. **NUNCA** utilice lanzas ni otras piezas que no sean compatibles con esta unidad.
 36. **NUNCA** utilice un cable de alimentación de extensión debido a que este anula la efectividad del GFCI (Sólo para unidades de EE. UU.) e incrementa la posibilidad de electrocutar al operador.
 37. **NUNCA** rocíe las tomas de corriente con la lavadora a presión.
 38. Inspeccione el cable de alimentación antes de utilizarlo. NO lo utilice si está dañado.
 39. Manténgase alerta-observe lo que está haciendo.

CONSERVE ESTAS INSTRUCCIONES PARA FUTURAS CONSULTAS.

Servicio de mantenimiento de un dispositivo de doble aislamiento

Protección del interruptor de circuito por falla a tierra (Sólo para unidades de EE. UU.):

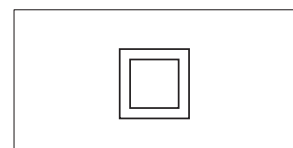
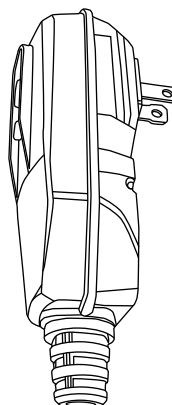
Esta lavadora a presión está provista de un interruptor de circuito por falla a tierra (GFCI) incorporado en los conectores del cable de suministro de alimentación. Este dispositivo proporciona protección adicional contra el riesgo de descarga eléctrica. Si es necesario reemplazar el conector o el cable, utilice solo piezas de repuesto idénticas que incluyan protección de GFCI.

En un producto de aislamiento doble, se proporcionan dos sistemas de aislamiento en lugar de la conexión a tierra. Para un producto de aislamiento doble no se proporciona medios de conexión a tierra, ni se deben agregar medios de conexión a tierra al producto.

El mantenimiento de un producto de doble aislamiento requiere cuidado extremo y conocimiento del sistema, y solo lo debe realizar personal de servicio cualificado.

Las piezas de repuesto para un producto de doble aislamiento deben ser idénticas a las piezas originales.

Un producto de doble aislamiento está marcado con las palabras "Aislamiento doble" o "Doble aislamiento". El producto también podría estar marcado con el símbolo que se muestra aquí.



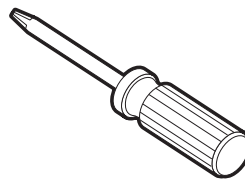
Producto de doble aislamiento

PREPARACIÓN

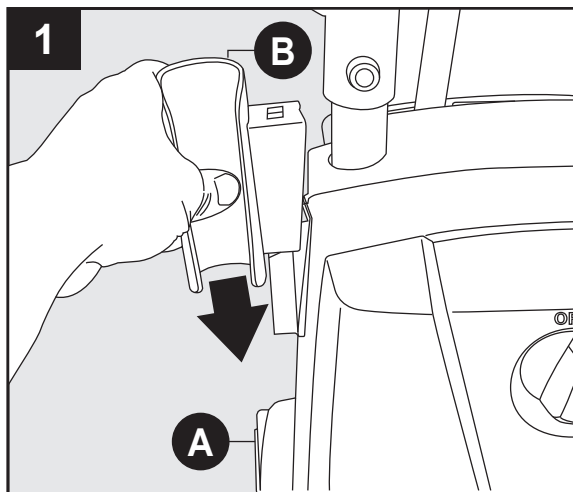
Antes de comenzar el montaje del producto, asegúrese de que todas las piezas estén presentes. Compare las piezas con la lista de contenido del paquete y la lista de aditamentos. Si alguna pieza falta o está dañada, NO intente montar el producto. Por favor llame al servicio al cliente al 1-866-850-6662.

Tiempo de montaje estimado: 5 minutos.

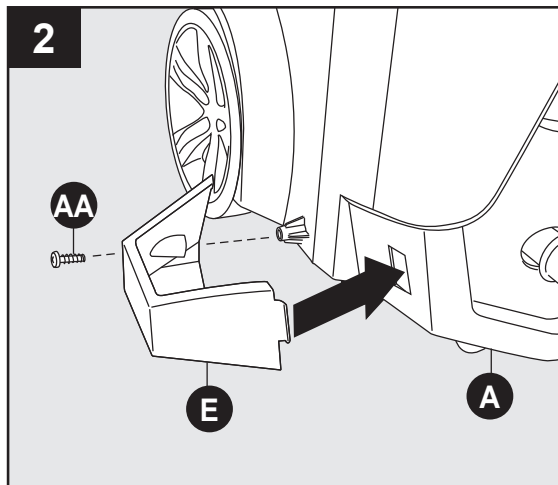
Herramientas requeridas para el montaje (no incluidas):
Destornillador Phillips.



INSTRUCCIONES DE MONTAJE



1
Montaje de la unidad de alimentación
Deslice la funda de la pistola rociadora (B) en el lado izquierdo, estando frente a la unidad de la lavadora a presión (A).

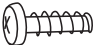


2
Deslice la pestaña en la ranura y atornille la bandeja de la boquilla (E) en la parte inferior izquierda, estando frente a la unidad de la lavadora a presión (A). Fije con el tornillo (AA).

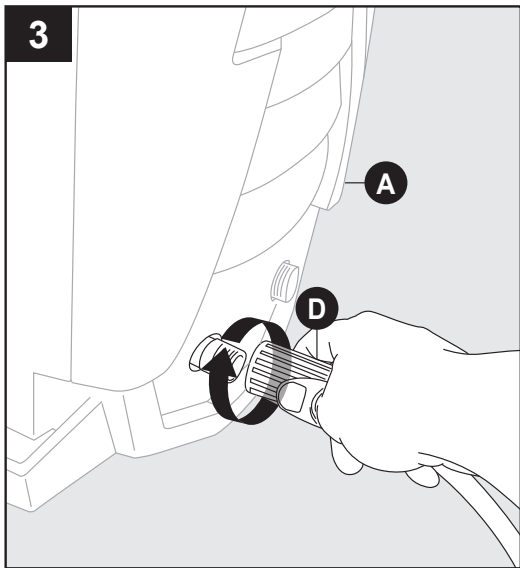
Nota: NO utilice un destornillador eléctrico. Cuando el tornillo esté completamente apretado, de un pequeño giro final hacia la derecha del destornillador. NO apriete demasiado.

Nota: Al colocar la pistola con la lanza acoplada, la boquilla descansará en esta bandeja.

Aditamentos que se utilizan:

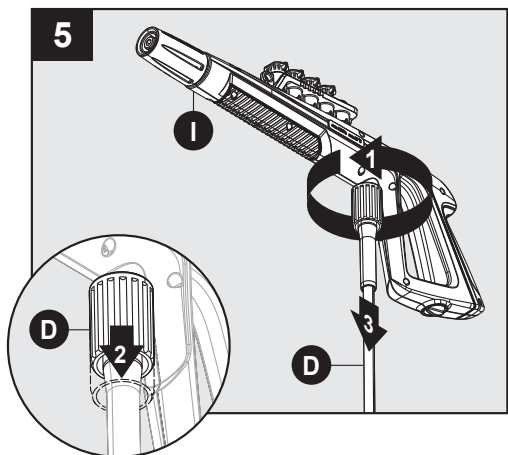
AA Tornillo  x 1

INSTRUCCIONES DE MONTAJE

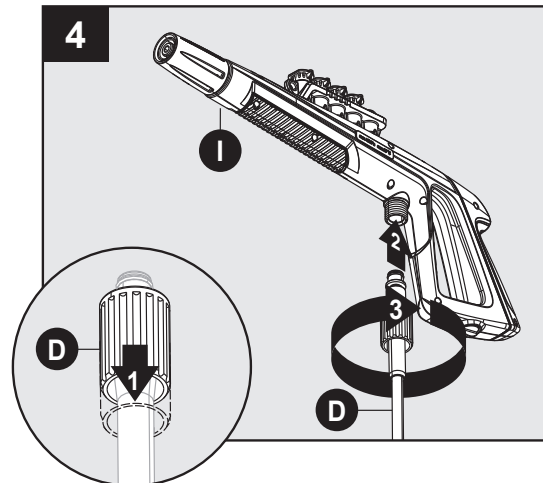


Montaje de la manguera de presión alta
 Atornille la manguera de presión alta (D) hacia la derecha en la parte inferior delantera de la unidad de la lavadora a presión (A). Tire hacia atrás el collarín e inserte la varilla del empaque de anillo en la salida de agua lo suficiente para que el collarín se pueda enroscar en la salida hasta que esté apretado con la mano. Si le da menos de seis vueltas no ha apretado apropiadamente el conector de la manguera de presión alta. Es más fácil colocar la lavadora a presión frente a usted para asegurarse de que las roscas inician correctamente. No apretar correctamente la manguera de presión alta ocasionará que la manguera se deslice o salga disparada inmediatamente al encender la unidad. No se preocupe por daños si esto ocurre, simplemente vuélvala a instalar y tenga especial cuidado al enroscar el conector de la manguera de presión alta.

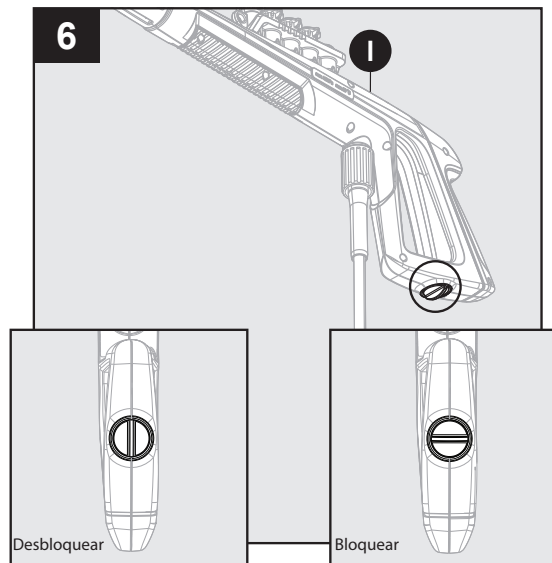
Nota: NO utilice alicates ni pinzas de presión para apretar.



Giro cuello y tirar de nuevo para liberar el alto conexión de la manguera (D) presión de la pistola (I).



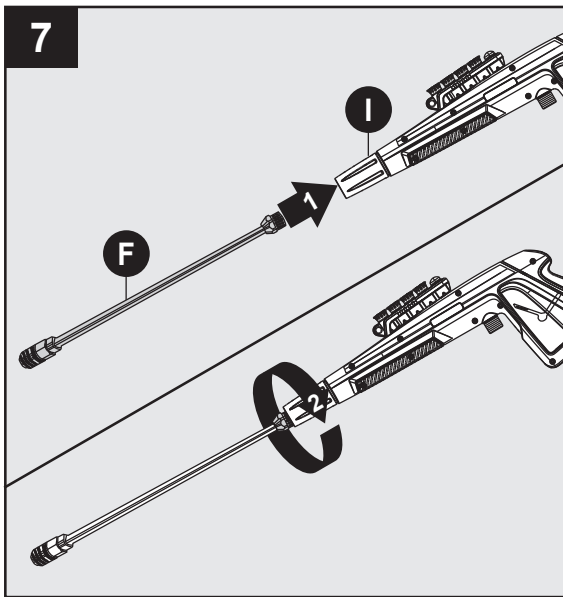
Tire hacia atrás el collar en el otro extremo de la manguera de alta presión (D). Empuje firmemente para conectar manguera para spray gun (I). Gire el collar para garantizar. Confirman que la manguera esté pistola tirando ligeramente de ellas. La manguera está ahora firmemente Unido al pistola rociadora.



Pistola de cierre (antes de la instalación de la lanza)
 Cerradura de gatillo de pistola (I), apunte la pistola lejos de usted y gire a la cerradura (posición "3" y "9"). Apretar o tirar de gatillo para asegurarse de que está bloqueado. SIEMPRE dejar en posición cerrada cuando no esté en uso. Esto asegura que el arma está en modo "seguro" hasta que esté listo para su uso. Gire el dial para desbloquear (posición "12" y "6") para liberar el gatillo de la pistola.

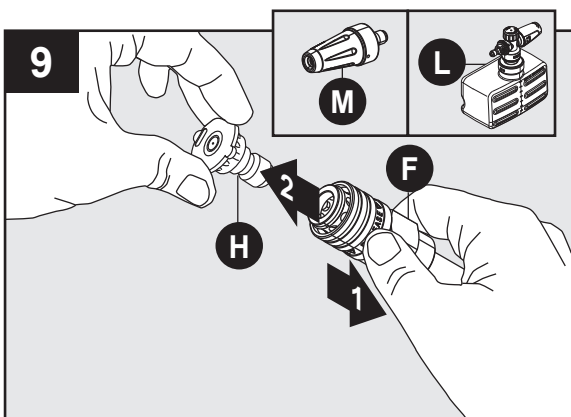
Nota: El seguro del gatillo impide gatillo enganchado accidentalmente.

INSTRUCCIONES DE MONTAJE

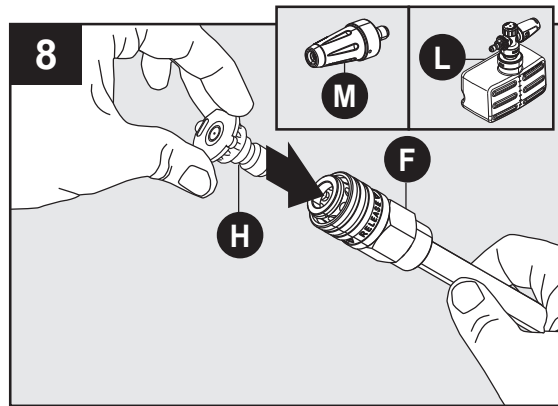


Instalación de la lanza de la boquilla turbo e inyector variable de la lanza del aerosol y Cañón de espuma de alta presión. Mientras la pistola rociadora (I) está en la posición bloqueada, inserte de la lanza (F) en el extremo de la pistola rociadora, insertando y presionando conjuntamente girando hacia la derecha simultáneamente. Para retirar, presione conjuntamente y gire hacia la izquierda.

Nota: Siempre presione el botón de bloqueo de seguridad para bloquear el gatillo cuando cambie las lanzas para garantizar que no se expulsen accidentalmente con fuerza durante la desinstalación.

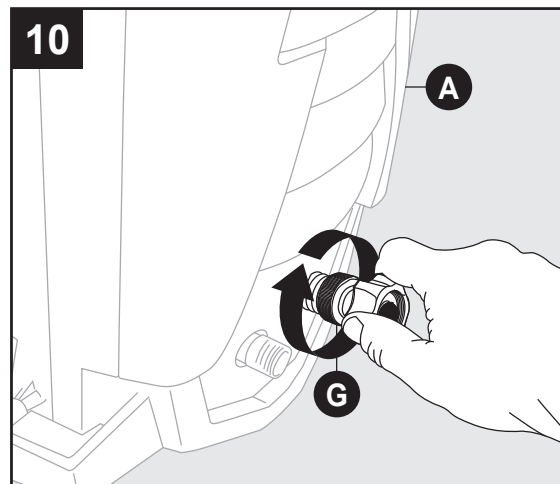


Para quitar la boquilla (H), la boquilla giratoria (M) o el cañón de espuma (L) tire hacia atrás del collar de la lanza (F) y extraiga la boquilla.



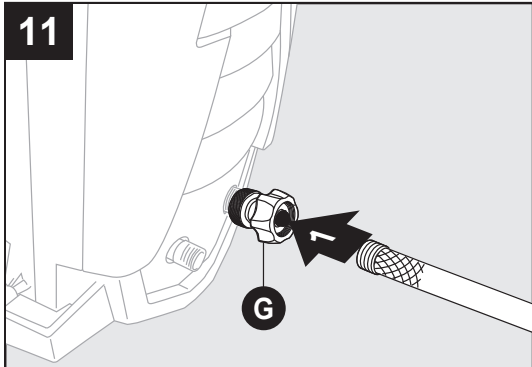
Conecte las boquillas (H), la boquilla giratoria (M) o el cañón de espuma (L) en el extremo de la lanza (F) presionando la boquilla seleccionada en su lugar. Hará un sonido de “clic” cuando esté firmemente en su lugar.

Nota: Siempre Presione el botón de bloqueo de seguridad para bloquear el disparador cuando cambie de lanzas y boquillas para asegurarse de que no accidentalmente expulsar con fuerza durante la extracción.



Instalación del adaptador de manguera de jardín. Acople el collarín del adaptador de la manguera de jardín (G) directamente a la entrada de agua de la lavadora a presión (A). Apriete con la mano.

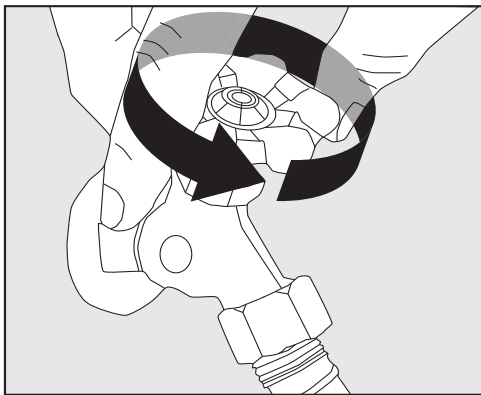
INSTRUCCIONES DE MONTAJE



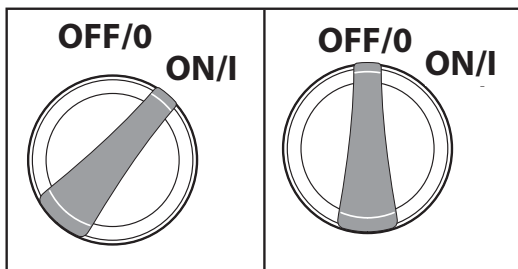
Conecte la manguera al adaptador de manguera de jardín (G).

Nota: enjuague la manguera de jardín antes de conectarla al adaptador de la manguera de jardín.

INSTRUCCIONES DE OPERACIÓN



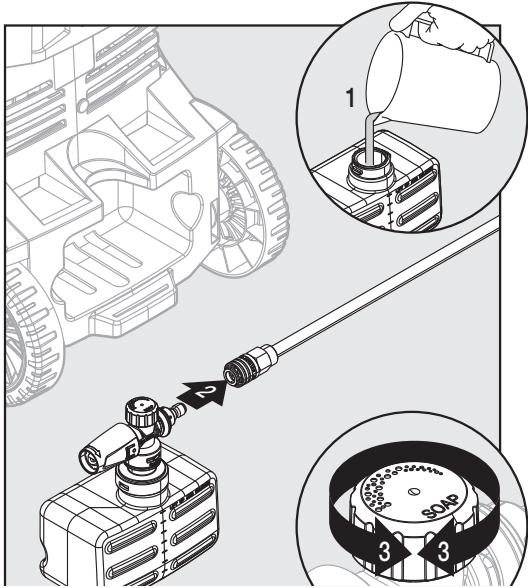
- Asegúrese de que el interruptor "ON/OFF" esté en la posición "OFF". El interruptor de encendido tiene símbolos internacionales para "on" y "off": On (I) Off (O).
- Desenrolle completamente el cable de alimentación y conecte el GFCI (Sólo para unidades de EE. UU.) en una toma de 120 voltios a tierra.
- Abra el suministro de agua con el grifo completamente abierto.
- Libere el bloqueo del gatillo a presión de seguridad hacia arriba y de nuevo hacia el gatillo. Mientras apunta la pistola rociadora a una dirección segura, apriete el gatillo de la pistola rociadora hasta que haya un flujo constante de agua, permitiendo que el agua y el aire salgan de la manguera. Presione el bloqueo del gatillo de nuevo hacia abajo para bloquearlo de nuevo en su lugar.



- Gire el interruptor de alimentación a la posición "ON" (I). La unidad se encenderá durante 1 o 2 segundos y se apagará. Este es un procedimiento normal de la función de arranque automático. Apriete el gatillo de la pistola rociadora para comenzar el lavado a presión.
- Comience el lavado a presión apretando el gatillo de la pistola rociadora completamente en la manija.
- Libere el gatillo de la pistola rociadora para detener la lavadora a presión.
- Deje que el motor se detenga por completo antes de apretar el gatillo de nuevo.
- Oprimir rápidamente hará que la función de arranque automático pierda un ciclo de on/off lo que puede impedir que se encienda mientras aprieta el gatillo después de oprimir de manera rápida. Mediante jalones del gatillo pausados lentos evita este proceder.
- Siempre pruebe en un área pequeña para evitar la posibilidad de dañar la superficie.



INSTRUCCIONES DE OPERACIÓN



Fije Canon espuma de control de calidad (almacenado en la parte posterior de la lavadora a presión) en el extremo de la lanza presionando el cañón en su lugar. Hará un “clic” sonoro cuando firmemente en su lugar.

Nota: Bloquee siempre el arma de aerosol cuando cambie la espuma Cañón para asegurarse de no expulsar con fuerza.

- Cuando utilice el cañón de espuma, llenarlo con un correctamente formulado detergente o limpiador con cociente del agua según las instrucciones del envase.
- NO utilice detergentes gelatinosa gruesas ya que obstruirán la lavadora y pueden causar daño.
- La lavadora atraerá una proporción de agua detergente de 10:1 o 10 partes de agua 1 parte detergente. La concentración de detergente puede ajustarse girando el detergente en la parte superior del cañón. Gire a la izquierda para más concentración o la derecha de menor concentración.

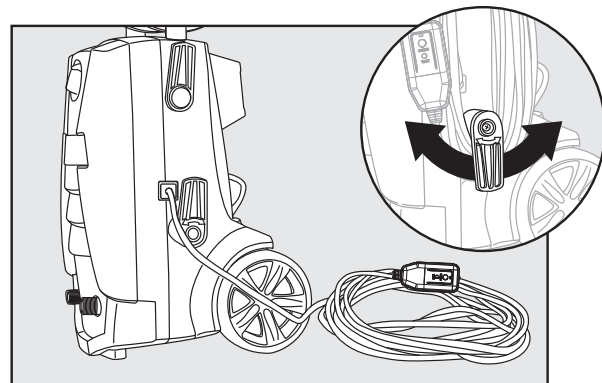
Consejos para la operación

- Nota: Pruebe el GFCI (Sólo para unidades de EE. UU.) antes de cada uso:
 1. Enchufe el GFCI en la toma de corriente. El indicador debe volverse verde para mostrar que el cable tiene energía.
 2. Presione el botón de prueba, el indicador verde debe apagarse para verificar que el GFCI cortó la alimentación del cable.
 3. Presione el botón RESET – el indicador verde debe encenderse para mostrar que el cable tiene energía de nuevo.
 4. cuando el GFCI esté funcionando correctamente, el indicador verde se encenderá cuando se aplique la energía. Si el indicador verde se apaga, ha detectado fugas eléctricas y el GFCI cortó la alimentación eléctrica al electrodoméstico.

- Si escucha que el motor funciona de forma intermitente cuando no se aprieta el gatillo, eso es normal. La bomba se está purgando para que esté lista para funcionar cuando se aprieta el gatillo. Apague la lavadora a presión si no se usa después de cinco minutos.
- Los empaques de anillo en el extremo de la bayoneta de la lanza se deben limpiar regularmente y lubricar con grasa no soluble en agua, como vaselina.
- Conserve el alambre de limpieza de la boquilla para utilizarlo para destapar la boquilla. Si pierde el alambre de limpieza, un sujetapapeles enderezado también funcionará.

Cómo evitar dañar las superficies

- Los daños a las superficies que se limpian se producen debido a que la fuerza del impacto de la presión del agua es superior a la durabilidad de la superficie. La madera sin acabado se puede penetrar, la pintura se puede descascarar, etc. Puede variar la fuerza de su lavadora a presión mediante el control de:
 1. El ángulo de la superficie que se limpia.
 2. La distancia de la boquilla de la superficie que se limpia.
- NUNCA utilice un flujo de agua de presión alta pequeño sobre superficies suaves susceptibles a los daños.
- Utilice la boquilla de conexión rápida de 25 ° para limpiar ventanas. Apriete el gatillo y varíe el patrón y el ángulo de pulverización hasta lograr una eficiencia de limpieza óptima.



Uso del cable de alimentación

- Retire fácilmente el cordón de alimentación de un lado de la unidad girando el gancho del cordón amarillo inferior hacia la derecha o izquierda hasta que quede hacia arriba. El cable de alimentación entonces se puede deslizar fácilmente del lado de la unidad de la lavadora a presión.
- Gire el gancho del cable amarillo de nuevo hacia abajo cuando esté listo para enrollar el cable de nuevo en su lugar para el almacenamiento.

CUIDADO Y MANTENIMIENTO

Detergentes

- Utilice detergentes diseñados para lavadoras a presión.

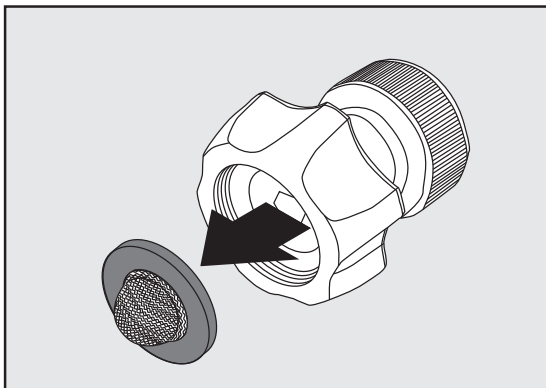
Las ferreterías o los centros para el hogar también tienen detergentes para lavadora a presión para diferentes trabajos de limpieza. La solución de limpieza debe tener la consistencia del agua para evitar la obstrucción de la boquilla y de la botella de detergente.

- Este sistema aplica detergente a baja presión. La capacidad de limpieza de los detergentes mejora cuando se aplica con baja presión y se le da el tiempo suficiente para romper la suciedad y la mugre. La combinación de baja presión y la acción química es muy eficaz y puede ser mejor que restregar, si se aplica correctamente. SIEMPRE rocíe detergente sobre una superficie seca. NO remoje previamente. Al mojar la superficie primero, se diluye el detergente y reduce su capacidad de limpieza. NO permita que el detergente se seque sobre la superficie. Al limpiar superficies verticales, aplique detergente en las superficies inferiores y suba poco a poco para evitar que el detergente haga rayas en la suciedad o mugre. Enjuague el detergente mediante el lavado a presión de abajo hacia arriba por la misma razón.
- Si una mancha es particularmente difícil, puede ser necesario aplicar de nuevo detergente y utilizar un cepillo de cerdas para restregar la mancha. El lavado a presión posterior al cepillado debe completar con éxito el trabajo de limpieza.

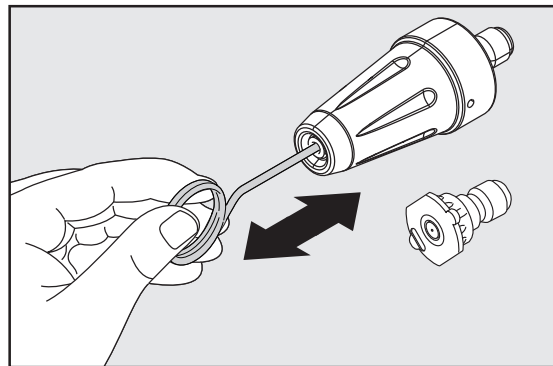
Adaptador de manguera de jardín limpieza

- La pantalla dentro del adaptador debe limpiarse periódicamente. Quítela arrastrando un pulgar sobre la pantalla con suficiente presión para sacar la pantalla y la arandela. Enjuáguela con agua limpia y vuelva a colocarla en el adaptador.

Limpieza de las boquillas



- Una boquilla obstruida o parcialmente obstruida puede ocasionar una reducción significativa de la presión del agua que sale de la boquilla y hacer que la unidad vibre durante el rociado.
- Apague la unidad.
- Cierre el suministro de agua a la unidad.
- Alivie cualquier presión atrapada en la manguera apretando el gatillo de 2 a 3 veces y luego bloquee la pistola rociadora presionando el botón de bloqueo de izquierda a derecha.
- Retirar la lanza de la pistola rociadora
- Utilice el limpiador de la punta de la boquilla proporcionado (o un portapapeles desdoblado), inserte el alambre en el agujero de la boquilla y muévelo hacia adelante y hacia atrás hasta que los residuos se desprendan.
- Golpee ligeramente el extremo de la conexión rápida de la lanza sobre una superficie dura varias veces
- Lave a contracorriente con agua a través de las boquillas con la manguera de jardín y a la máxima presión disponible (ya sea con la boquilla de agua estándar o con el pulgar sobre la boquilla para crear la presión de agua para el lavado a contracorriente).



CUIDADO Y MANTENIMIENTO

Almacenamiento

- Cuando termine la sesión de lavado a presión, apague el interruptor de alimentación ubicado en la parte delantera de la lavadora a presión. Desconecte el cable de alimentación de la toma de corriente. Cierre el suministro de agua. Jale el gatillo de la pistola rociadora de 2 a 3 veces para drenar el exceso de agua y para liberar cualquier presión de agua que quede. Desconecte el adaptador de la manguera de jardín de la entrada de agua. NO permita que la lavadora a presión funcione sin que pase un flujo de agua a través de ella.
- Retire la manguera de presión alta de la pistola rociadora.
- Retire la lanza de la pistola. Coloque la pistola en el soporte al lado. Las lanzas se colocan en cualquiera de las ranuras en la parte trasera de la unidad.
- Asegúrese de desechar cualquier resto de detergente de la botella. Química residual se pegan a el contenedor que podría convertirse en cotaminated, y puede causar que el inyector de detergente a estorbar y no funcionar correctamente. Enjuague la botella y la cabeza de la boquilla con agua fresca para evitar la obstrucción.
- Enganche el cable de alimentación alrededor del gancho del cable en el lado derecho de la máquina estando de frente a esta.
- La manguera de presión se almacena en la manguera gancho situado en la parte trasera de la manija.
- No almacene la lavadora de energía donde esté expuesta a temperaturas de congelación a menos que utilice un anticongelante diseñado para bombas. Almacene la lavadora en el interior para evitar que el agua de la unidad se amplíe en condiciones de congelación. Cuando el agua se congele y se amplíe, su lavadora de energía se dañará y se volverá inoperable. O, si se almacena al aire libre, se recomienda utilizar el protector de la bomba (no incluido) para proteger las bombas.

PROTECTOR DE LA BOMBA

Protector de la bomba es un producto que protege y prolonga la vida de la bomba. Este mantendrá las partes internas de la bomba lubricadas y protegidas de la congelación mientras se almacena en TODOS los climas. También ayuda a proteger contra la corrosión interna. El N.º de pieza de BE Power Equipment es le : 85.490.046

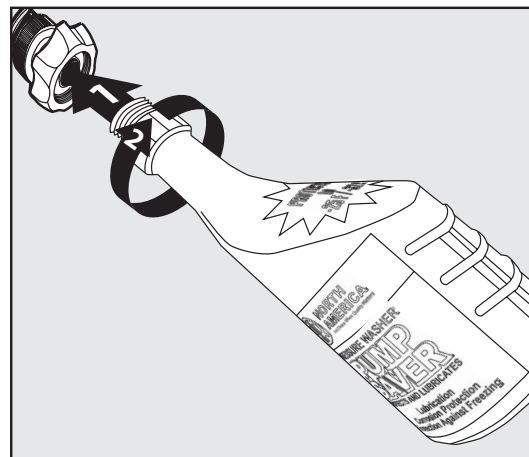
Instrucciones del protector de la bomba

Siga las instrucciones de almacenamiento previas para su lavadora a presión. Para evitar manchas, proteja la superficie debajo de la lavadora a presión de cualquier exceso de líquido. Utilice protección para los ojos cuando utilice este producto.

Apague y desconecte la pistola antes de agregar protector de la bomba. Desatornille la tapa roscada de botella a Retire el sello y vuelva a colocar la tapa rosca para botella. Retire la tapa negra de la botella.

- 1) parte superior lugar de botella de protector de bomba en el jardín adaptador.
- 2) Asegure la botella de protector de la bomba girando en un horario Dirección.
- 3) encender la unidad.
- 4) Squeeze Bottle para ayudar en la bomba.
- 5) Apague la energía cuando la máquina bomba Saver salidas Salida de agua.

Nota: las instrucciones de la botella del protector de la bomba son genéricas y no del modelo específico.



SOLUCIÓN DE PROBLEMAS

Si tiene alguna pregunta sobre el producto, llame a Servicio al cliente al 1-866-850.6662.

PROBLEMA	ACCIÓN CORRECTIVA
La unidad no enciende.	<ol style="list-style-type: none"> 1. El módulo del GFCI en el extremo del cable de alimentación se debe conectar directamente a una toma de corriente. 2. No utilice un cable de extensión. 3. Con el GFCI conectado asegúrese de que el interruptor de alimentación esté en on. <p>Nota: Cuando el interruptor de alimentación está en on, la lavadora a presión se encenderá por 1 o 2 segundos y se apagará. Esto es normal.</p>
La manguera de presión alta (HP) no se conecta/permanece conectada a la pistola rociadora. ¿Es este un problema de la pistola rociadora?	<ol style="list-style-type: none"> 1. En la mayoría de los casos, la pistola rociadora no es el problema. El problema es la funda de caucho que cubre el conector en el extremo de la manguera de presión alta. Es probable que se haya deslizado hacia la punta de metal. Para arreglarlo: mueva, gire o jale la funda de caucho hacia abajo hasta que se pueda ver toda la punta más 0,317 cm (1/8 pulgadas) del conector de metal debajo de la punta. Ahora trate de insertar la punta de la manguera en la pistola rociadora. Debe hacer "clic" en su lugar y no saldrá hasta que la manguera se libere presionando la palanca en la parte inferior de la pistola. Puede cortar el extremo de la funda con un cuchillo afilado si no puede mover la funda hacia abajo. Tenga cuidado de no cortar ni perforar la manguera. 2. No presione el botón de liberación cuando se conecta la manguera de presión alta.
La unidad está funcionando, pero no hay flujo de agua.	<ol style="list-style-type: none"> 1. la alimentación no debe encenderse hasta que el agua pase a través de la pistola pulverizadora. Si lo hace, se dañará el motor. 2. Compruebe la fuente de agua. 3. Expulse la boquilla de la lanza para determinar si la boquilla viene con obstrucciones (si la boquilla está obstruida, consulte las instrucciones de limpieza de la boquilla debajo de "boquillas de limpieza"). 4. Quite la lanza y apenas rocíe de la pistola de aerosol. Esto indicará si el problema es con el lance. 5. Revise el adaptador de la manguera de jardín para la conexión floja y el filtro para escombros.
¿Por qué hay fugas de agua en la conexión de la manguera de presión alta a la pistola rociadora?	<ol style="list-style-type: none"> 1. Asegúrese de que haya un empaque de anillo en el extremo de la punta de metal de la manguera de presión alta. Si no hay un empaque de anillo, la conexión entre la manguera y la pistola rociadora presentará una fuga. El kit de reemplazo de junta tórica (K) se incluye con la compra.
No puedo retirar la lanza de la pistola rociadora. ¿Qué debo hacer?	<ol style="list-style-type: none"> 1. Todas las lanzas y las botellas de detergente se acoplan y se retiran de la lanza de extensión de la misma forma. Inserte el extremo de liberación rápida de la lanza/botella de detergente en la lanza de extensión. Presione la lanza de extensión y la lanza conjuntamente (aproximadamente 0,317 cm [1/8 pulgadas]) y gire hacia la derecha. La lanza se bloqueará en su lugar. Retire la lanza revirtiendo este procedimiento. Presione la lanza de extensión y la lanza conjuntamente y gire hacia la derecha. La lanza se deslizará hacia afuera. 2. O bien, sostenga la lanza de extensión y la lanza en posición vertical con el extremo de la boquilla en el suelo. Presione todo el conjunto hacia abajo para aflojar la conexión y, a continuación, siga el procedimiento de desinstalación de nuevo. También puede rociar agua jabonosa o un lubricante en el área de la conexión de la lanza a la lanza de extensión.

SOLUCIÓN DE PROBLEMAS

PROBLEMA	ACCIÓN CORRECTIVA
La lavadora a presión se enciende por 2 segundos, se apaga y no vuelve a encender. ¿Tengo una unidad defectuosa?	<ol style="list-style-type: none">1. Parece que la lavadora a presión trabaja muy bien. Cuando se conecta el agua, los accesorios están montados apropiadamente y el interruptor de alimentación está en on, la lavadora a presión puede encender por 1 o 2 segundos para purgar la bomba. Se apaga automáticamente y espera que el gatillo de la pistola rociadora se presione. Cuando el gatillo se presiona, el agua comienza a fluir a través de la bomba. El sensor de agua en la bomba "detecta" el agua en movimiento y enciende automáticamente la lavadora a presión.2. Coloque el interruptor de alimentación en off, mantenga presionado el gatillo de la pistola rociadora, para tener un flujo constante de agua. Mientras mantiene el gatillo abierto en la pistola rociadora, al mismo tiempo, coloque el interruptor de alimentación a on.

GARANTÍA LIMITADA

BE Power Equipment Inc. garantiza al comprador original que nuestros productos nuevos están libres de defectos de material y mano de obra durante los plazos establecidos. Si se detecta un defecto en un producto de BE Power Equipment dentro de las limitaciones descritas en esta declaración de garantía, BE Power Equipment, a su entera discreción, reparará, reemplazará o abonará el producto.

La cobertura de la garantía comienza en la fecha de compra por parte del usuario final. Se debe presentar un comprobante de compra válido junto con la reclamación de garantía.

Esta garantía se limita a los defectos ocurridos durante el uso normal. No cubre fallas causadas por falta de mantenimiento, negligencia, abuso o mal uso, incluyendo, entre otros, daños por congelación, alteraciones, deterioro químico, acumulación de sarro, óxido, choque térmico, expansión térmica, daños por transporte, cambios de aceite, ajustes de válvulas, mantenimiento del sistema de combustible o el uso de piezas incorrectas. Además, el uso de combustible, agua o fuente de alimentación incorrecta se considera mal uso.

Esta garantía no cubre elementos de desgaste normal, como juntas tóricas, válvulas, sellos, filtros, bujías o empaquetaduras. Estos son elementos de desgaste normal y deben tenerse en cuenta en su programa de mantenimiento regular.

La presente garantía sustituye a cualquier otra garantía, expresa o implícita, incluida cualquier garantía implícita de idoneidad para un fin determinado. BE Power Equipment no autoriza a ninguno de sus distribuidores, centros de servicio, agentes, empleados ni a ninguna otra parte a ampliar, extender o modificar el alcance de esta garantía de ninguna manera en nombre de BE Power Equipment.

BE Power Equipment declina expresamente toda responsabilidad por lesiones personales o materiales, daños incidentales, pérdida de alquiler, pérdida de tiempo, gastos de transporte o daños consecuentes. Es responsabilidad del comprador garantizar la correcta instalación, aplicación y uso del producto adquirido.

La garantía tiene una duración de un año (5 años a partir del registro dentro de los 90 días posteriores a la compra) y comienza en la fecha de compra por parte del usuario final. Se debe presentar un comprobante de compra válido junto con la reclamación de la garantía.

GARANTÍA EXTENDIDA DE PRODUCTO REGISTRADO

BE ofrece una garantía extendida para sus productos al registrarse en el sitio web. Para calificar para la garantía extendida, los productos deben registrarse dentro de los 90 días posteriores a la compra. BE se reserva el derecho de determinar si la falla se debe a un defecto de fabricación o de mano de obra y si es la causa de una falla prematura.



REGISTRO DEL PRODUCTO

El formulario de registro del producto se encuentra en:
bepowerequipment.com/pages/product-registration

PROCEDIMIENTO DE GARANTÍA

Comuníquese con el departamento de Servicio Técnico de BE al 1-866-850-6662 o envíenos un correo electrónico (servicecenter@bepressure.com) con la siguiente información:

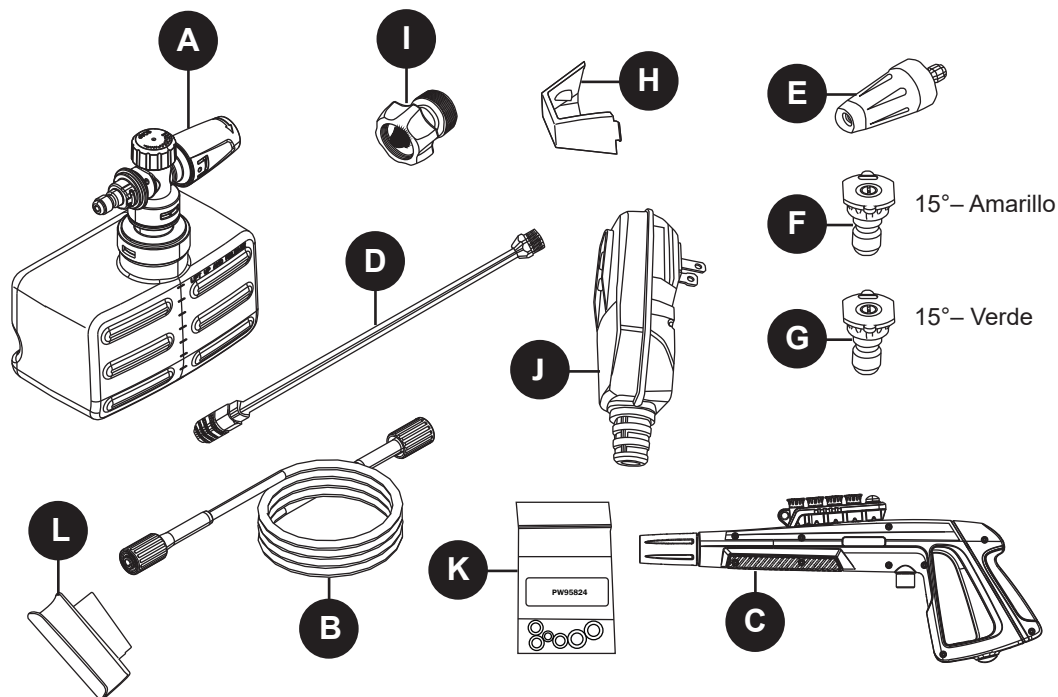
- Número de modelo/pieza
- Número de serie (si corresponde)
- Copia del recibo de compra original
- Descripción detallada de la falla
- Cualquier detalle adicional o fotos relevantes para la situación

CENTROS DE SERVICIO AUTORIZADOS "BE"

Los centros de servicio autorizados de BE se encuentran en:
bepowerequipment.com/pages/find-a-service-center

LISTA DE PIEZAS DE REPUESTO

Para obtener piezas de repuesto, llame a nuestro Departamento de Servicio al Cliente al 1-866-850-6662, 8:00 a. m. – 4:30 p. m., hora estándar del pacífico.



PART	DESCRIPTION	PART	DESCRIPTION
A	Cañón de espuma de alta presión (34 onzas)	G	25° Boquillas de conexión rápida
B	Manguera de presión alta	H	Bandeja de la boquilla
C	Pistola rociadora	I	Adaptador de manguera de jardín
D	Lanza de extensión	J	Ensamble del GFCI (Sólo para unidades de EE. UU.)
E	Boquilla rotativa	K	Kit de empaque de anillo
F	15° Boquillas de conexión rápida	L	Funda de la pistola



**DO NOT RETURN THIS PRODUCT TO THE RETAILER
CONTACT OUR CUSTOMER SERVICE** if you need assistance
with the assembly, operation, or if you experience a problem with
your pressure washer, please call 1-866-850-6662
Monday - Friday. 8AM to 430PM PST.

**NE RENVOYEZ PAS CE PRODUIT AU DÉTAILLANT, CONTACTEZ
NOTRE SERVICE À LA CLIENTÈLE** si vous avez besoin d'aide
pour l'assemblage, le fonctionnement ou si vous rencontrez un
problème avec votre nettoyeur haute pression, veuillez appeler le
1-866-850-6662 Lundi à Vendredi. De 8h à 430h PST.

**NO DEVUELVA ESTE PRODUCTO AL MINORISTA
COMUNÍQUESE CON NUESTRO SERVICIO DE ATENCIÓN AL
CLIENTE** si necesita ayuda con el ensamblaje, el funcionamiento
o si tiene algún problema con su hidrolimpiadora, llame al
1-866-850-6662 Lunes a Viernes, de 8AM a 430PM PST.

ELECTRIC PRESSURE WASHER OPERATOR'S MANUAL

**MANUEL D'UTILISATION DU LAVEUSES PRESSION
MANUAL DEL OPERADOR DE LA LAVADORA A PRESIÓN**

BEPOWEREQUIPMENT

.COM

96397-CE

Printed in China
Imprimé en Chine
Impreso en China