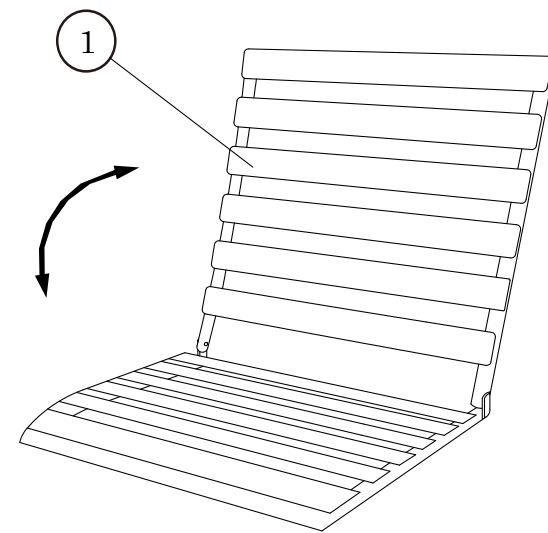


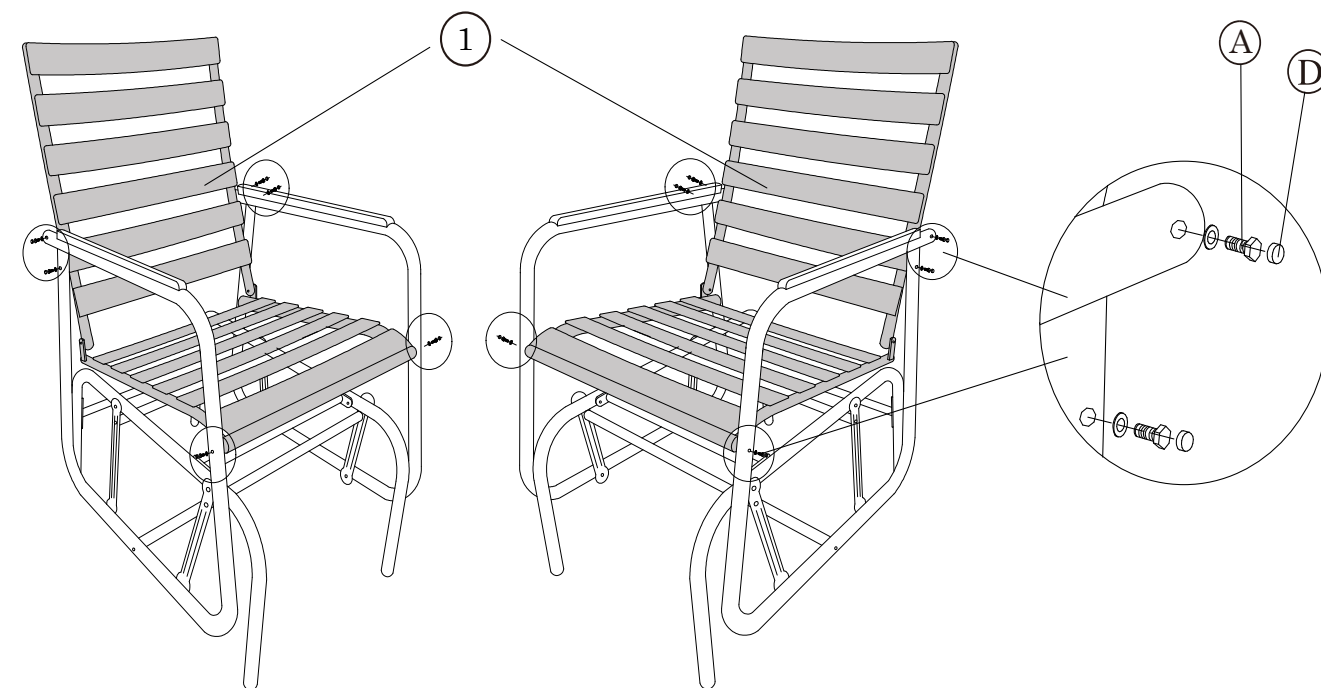
ASSEMBLY INSTRUCTIONS

Step 5



Open the seat and back per the direction of arrow.

Step 6



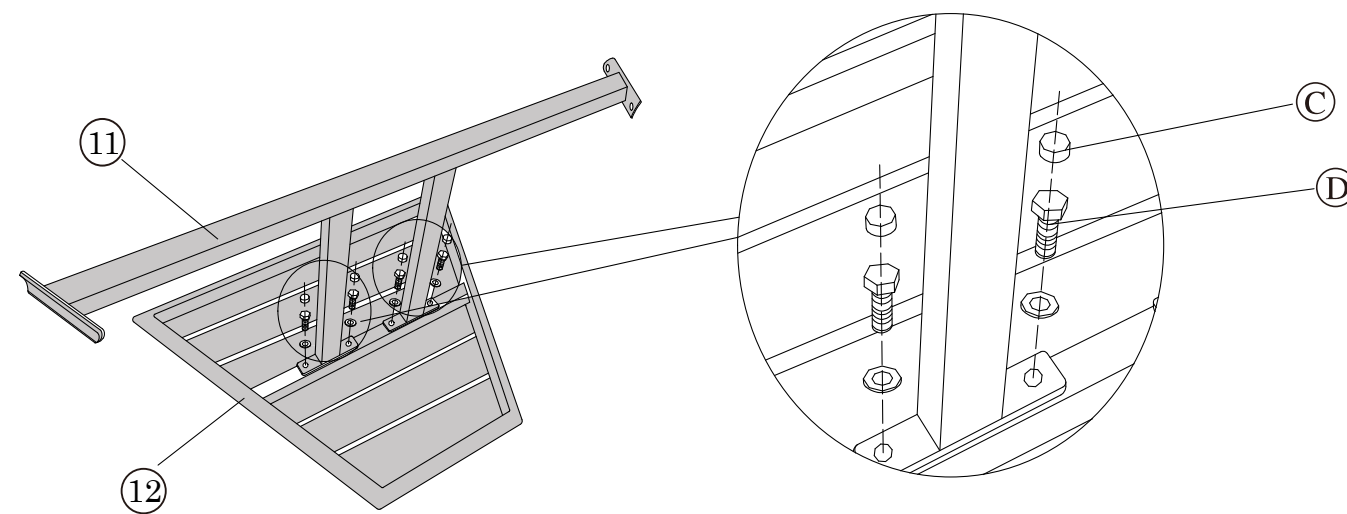
Fully tighten all the bolts once all the bolts in place!

- Ⓐ 12 sets of M6 x 35 bolt
- Ⓓ 12 x M6 bolt caps



ASSEMBLY INSTRUCTIONS

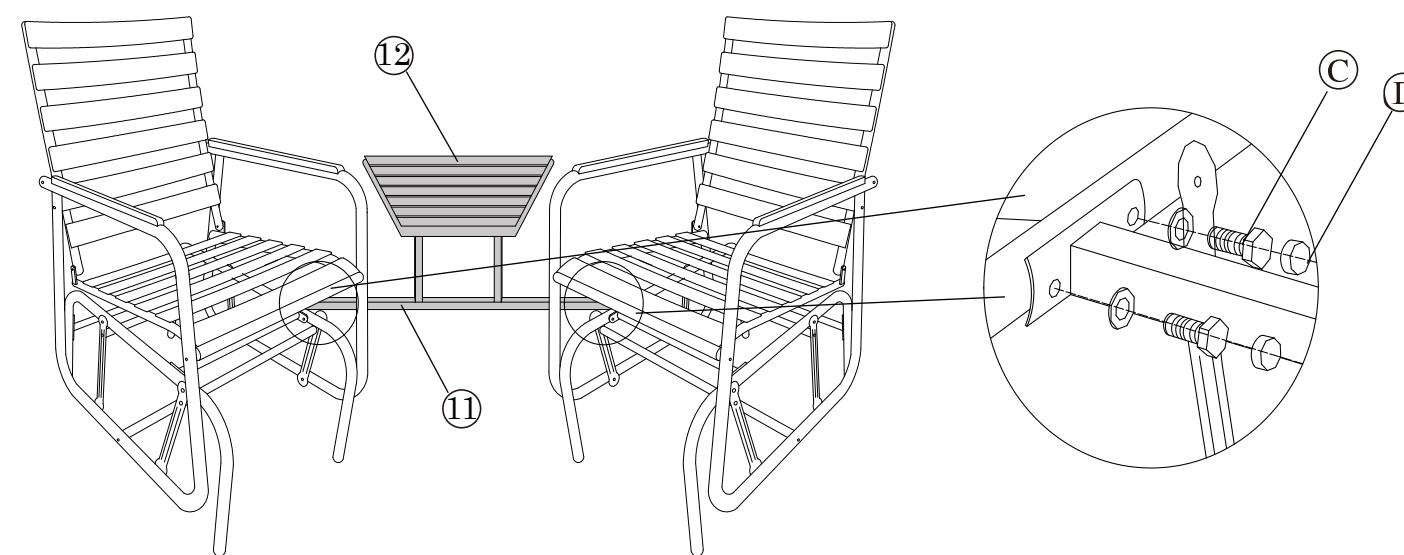
Step 7



- Ⓒ 4 sets of M6 x 15 bolt
- Ⓓ 4 x M6 bolt caps



Step 8



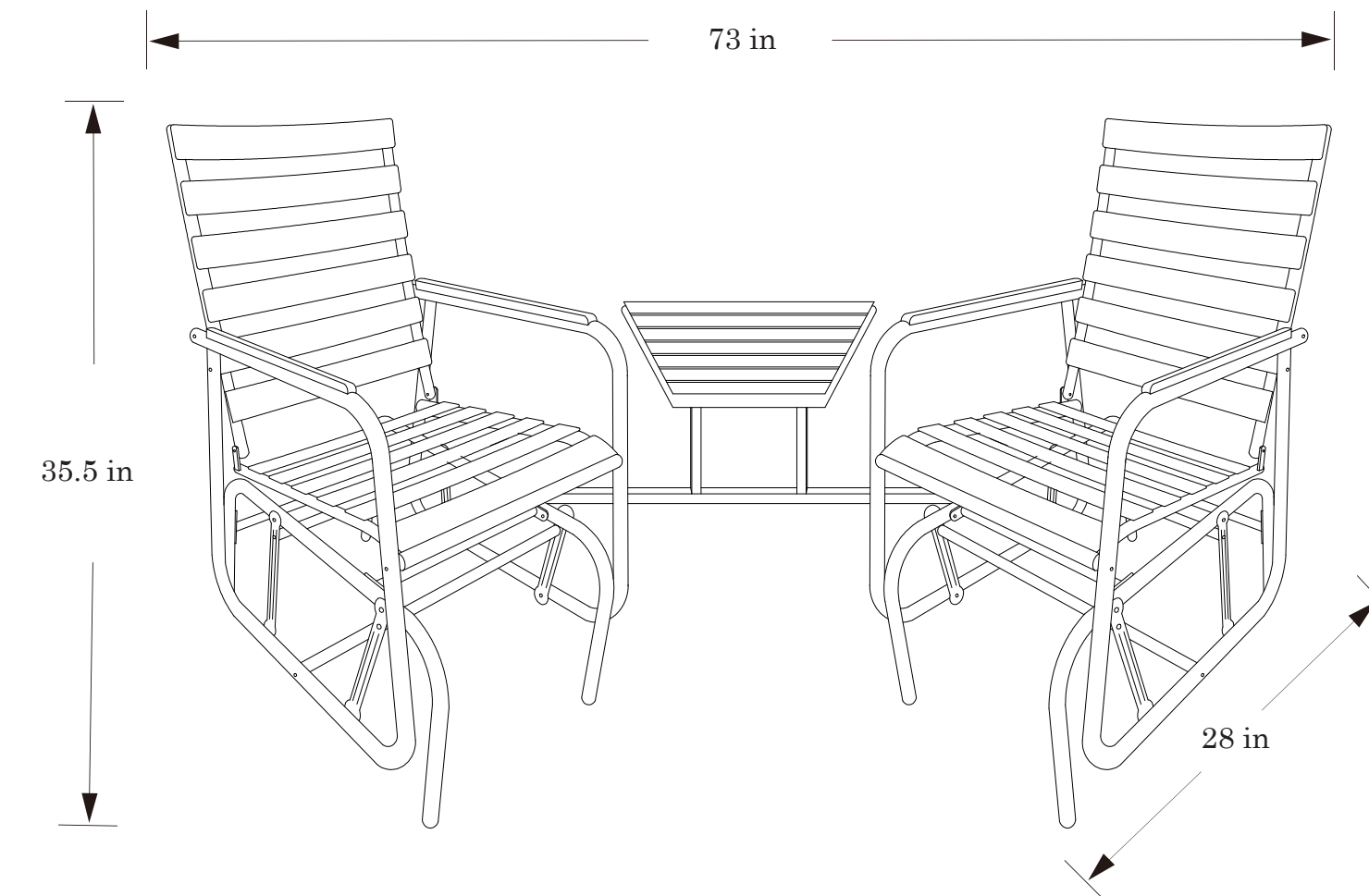
Fully tighten all the bolts once all the bolts in place!

- Ⓒ 4 sets of M6 x 15 bolt
- Ⓓ 4 x M6 bolt caps



73 IN. RIVERSIDE GLIDER
INSTRUCTION MANUAL
 SKU# 6005346

Please read instructions carefully before use. Retain for future reference.
CAUTION: Pinch Point, please keep hands clear from moving parts.



Assembled Dimensions

Approximate assembly time: **50 Minutes**

People for assembly:

Required assembly space: Floor area 9 ft. x 9 ft. (3 m x 3 m)



Required assembly tools (included):



CAUTION:
 Hand tools only, use of power tools could damage product.

Distributed by:
 TRACTOR SUPPLY COMPANY
 6401 VIRGINIA WAY
 BRENTWOOD, TN 37027
 For customer support,
 call: 1-888-376-9601
 www.TractorSupply.com

TIPS BEFORE YOU START

- * Ensure that all parts are present prior to assembly.
- * Check all packing material carefully before discarding, as some parts may be encased in the packing material.
- * For ease and speed of assembly, it is recommended that all required parts be identified prior to each step.
- * Ensure that you have sufficient space and the number of people (as indicated on page 1) to assemble the product safely.
- * During assembly, take care not to over-tighten any fittings, as this may damage the product.

CARE AND MAINTENANCE

- * Always inspect the product for any obstructions during each use.
- * The manufacturer will not accept responsibility for unauthorized repairs or modifications to this product.
- * To clean, wash the frame and the fabric with mild soap and water; rinse thoroughly; dry the frame completely and allow the fabric to drip dry away from direct sunlight.
- * Do not use bleach, acid, or other solvents on the fabric or frame parts.
- * To prolong the life of your furniture, we recommend storing it in a dry area when not in use or during severe weather conditions.

! WARNING

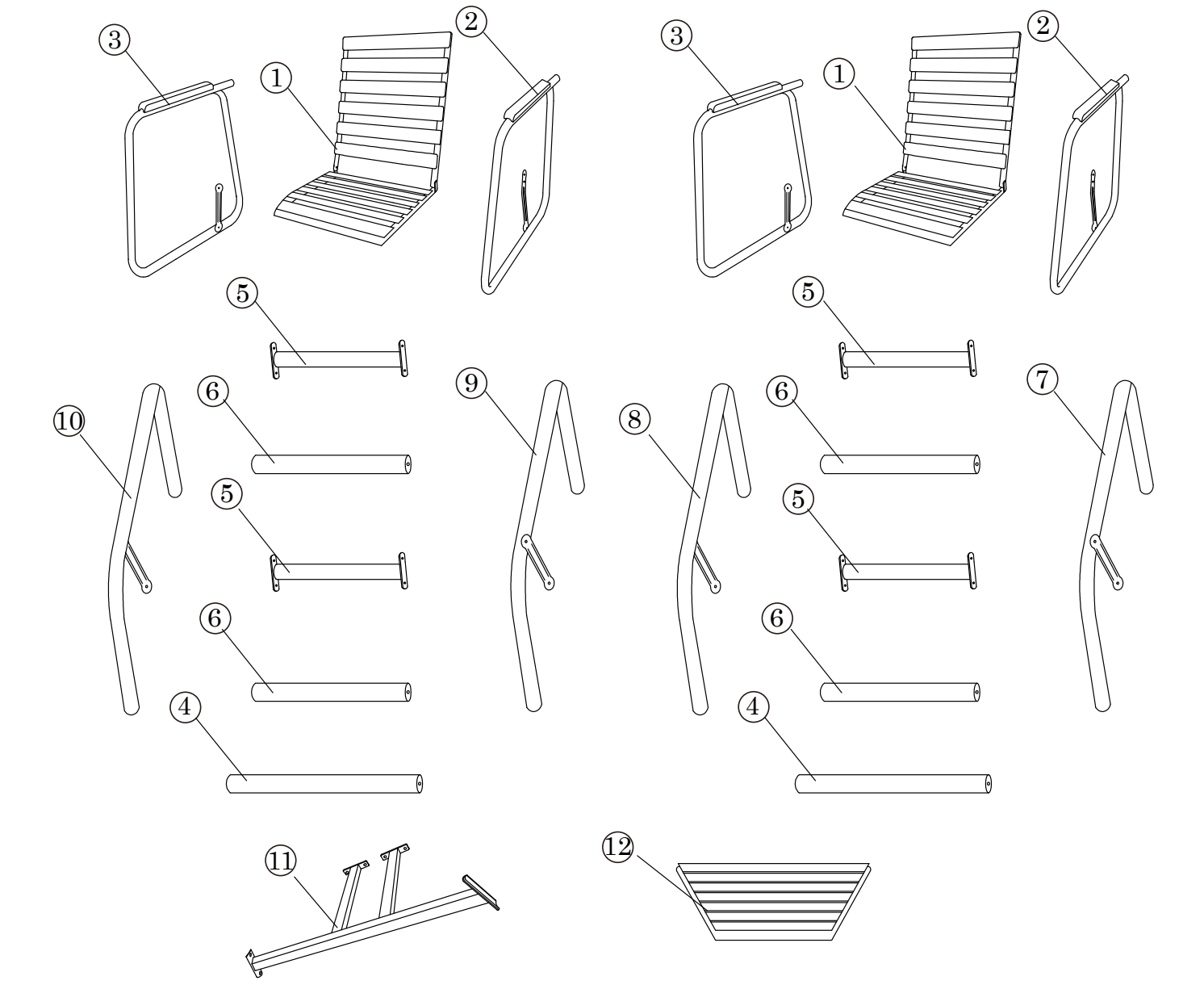
- * Annually:
 - * Check all nuts and bolts for tightness each season, and more often if used frequently.
 - * Oil all metal moving parts with a general - purpose lubricating oil to ensure proper performance and safety.
- * Keep children away during assembly. This item contains small parts which can be swallowed by children. Children should always be under adult supervision while using this product.
- * This product is for residential use only, not for commercial use.

! WEIGHT LIMIT

Chair: 225 lbs (102.06 kg)
 Table: 50 lbs (22.68 kg)

PARTS LIST

NO.	Description	Quantity	NO.	Description	Quantity
①	Back and Seat	2	⑦	Feet	1
②	Left Armrest	2	⑧	Feet	1
③	Right Armrest	2	⑨	Feet	1
④	Support Brace A	2	⑩	Feet	1
⑤	Support Brace B	4	⑪	Tabletop Support	1
⑥	Support Brace C	4	⑫	Tabletop	1

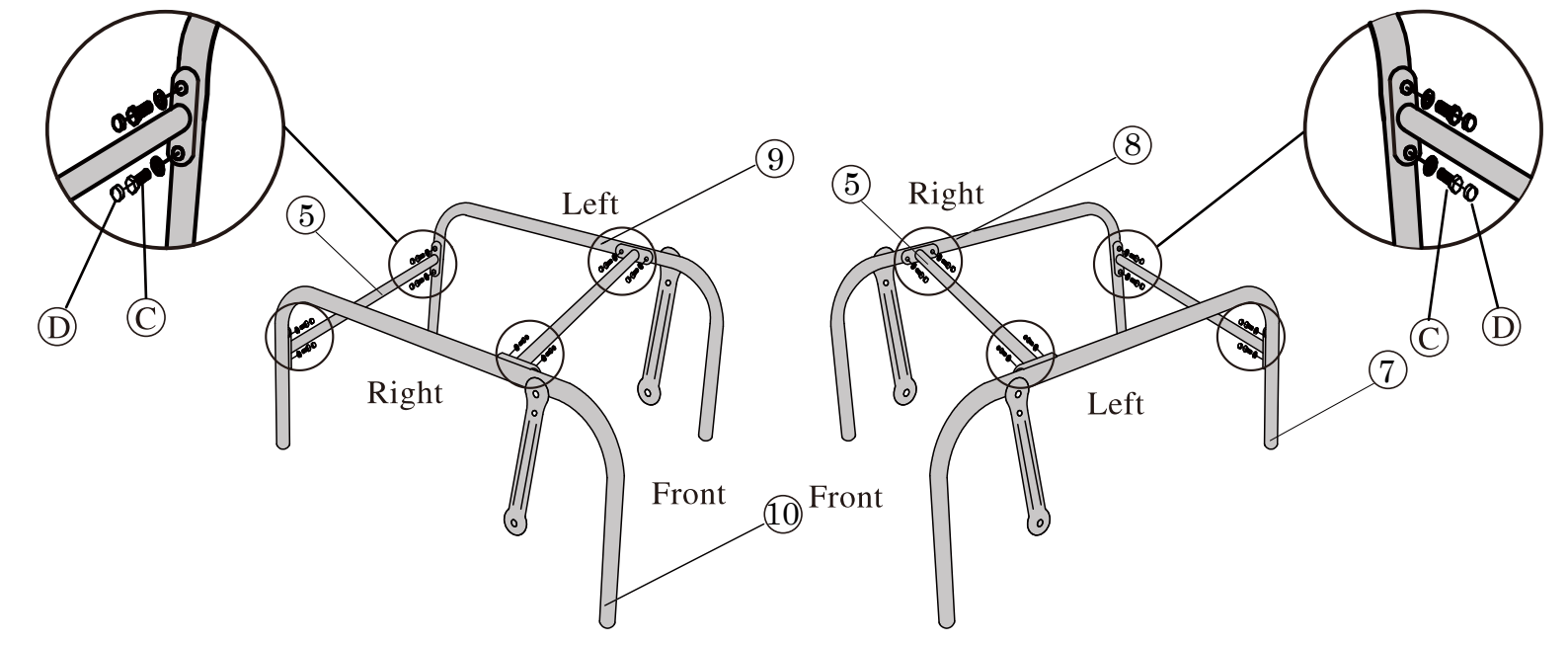


HARDWARE LIST

Ⓐ	16 sets of M6 x 35 bolt + 1 spare set		Ⓑ	8 sets of M6 x 20 bolt + 1 spare set	
Ⓒ	32 sets of M6 x 15 bolt + 1 spare set		Ⓓ	56 x M6 bolt caps + 1 spare cap	

ASSEMBLY INSTRUCTIONS

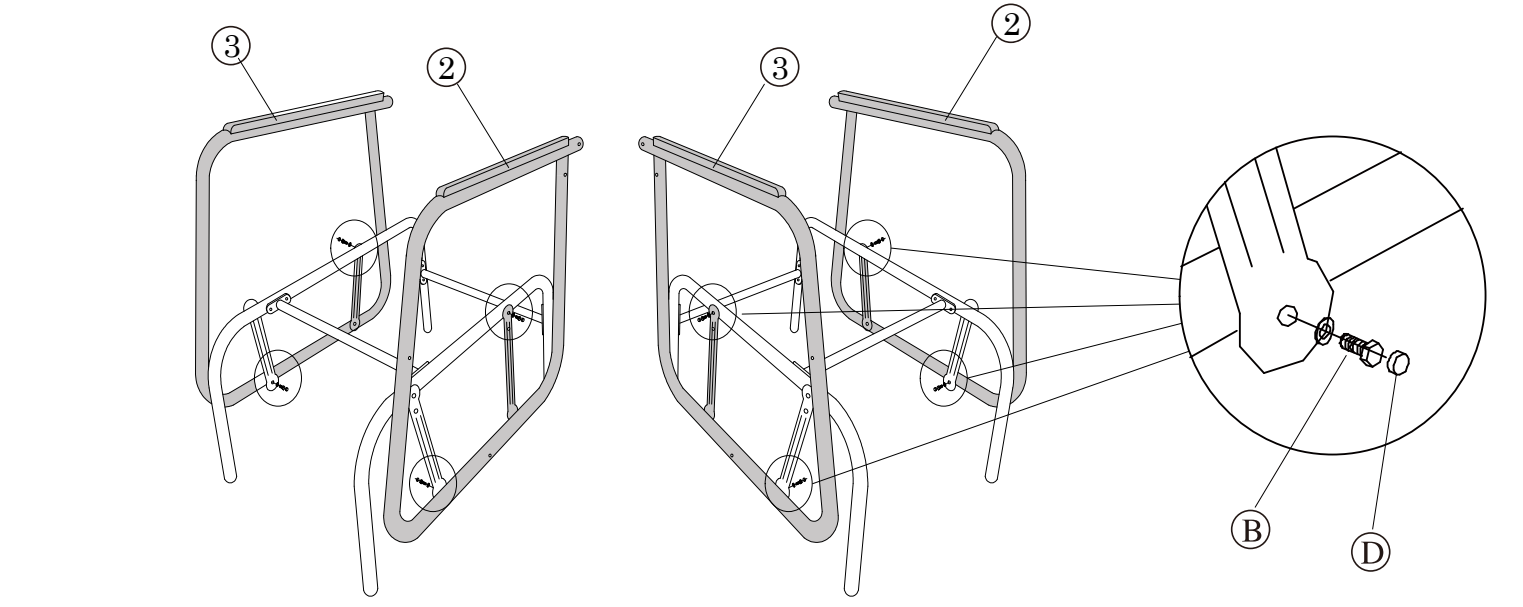
Step 1



Fully tighten all the bolts once all the bolts in place!

Ⓒ	16 sets of M6 x 15 bolt		Socket Wrench M6
Ⓓ	16 x M6 bolt caps		

Step 2

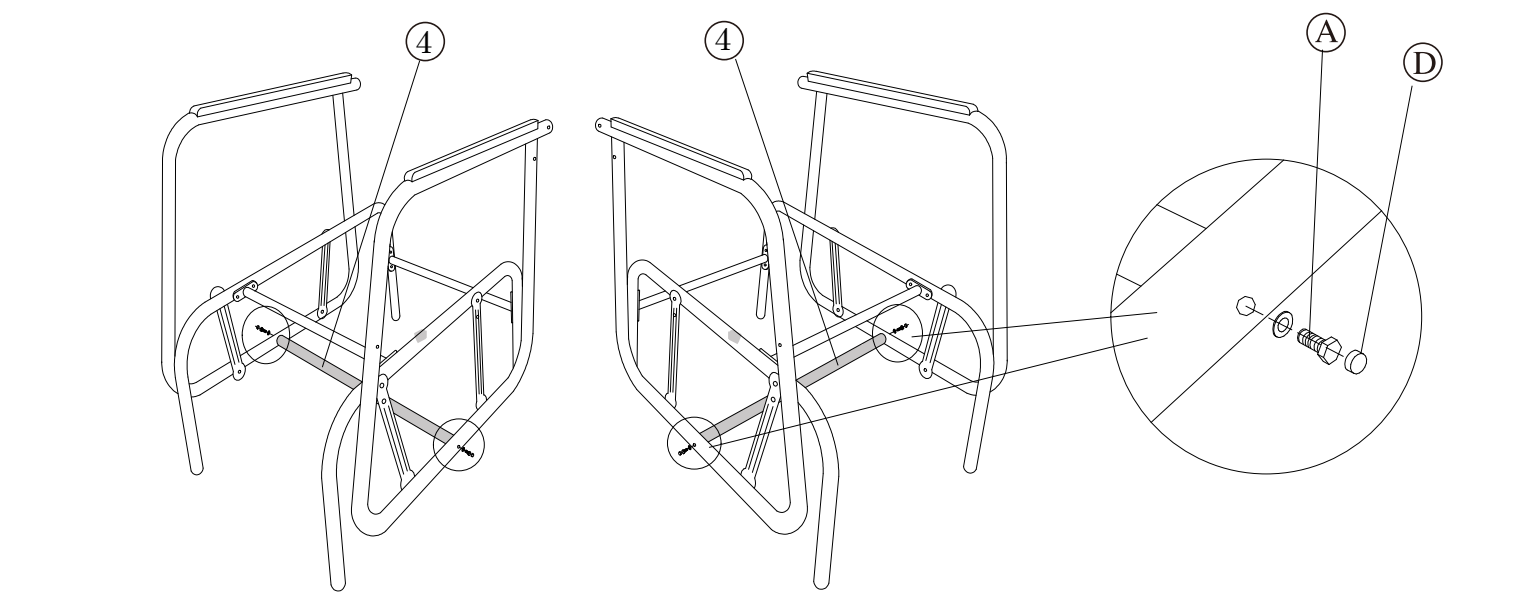


Don't fully tighten the bolts until step 6.

Ⓑ	8 sets of M6 x 20 bolt		Socket Wrench M6
Ⓓ	8 x M6 bolt caps		

ASSEMBLY INSTRUCTIONS

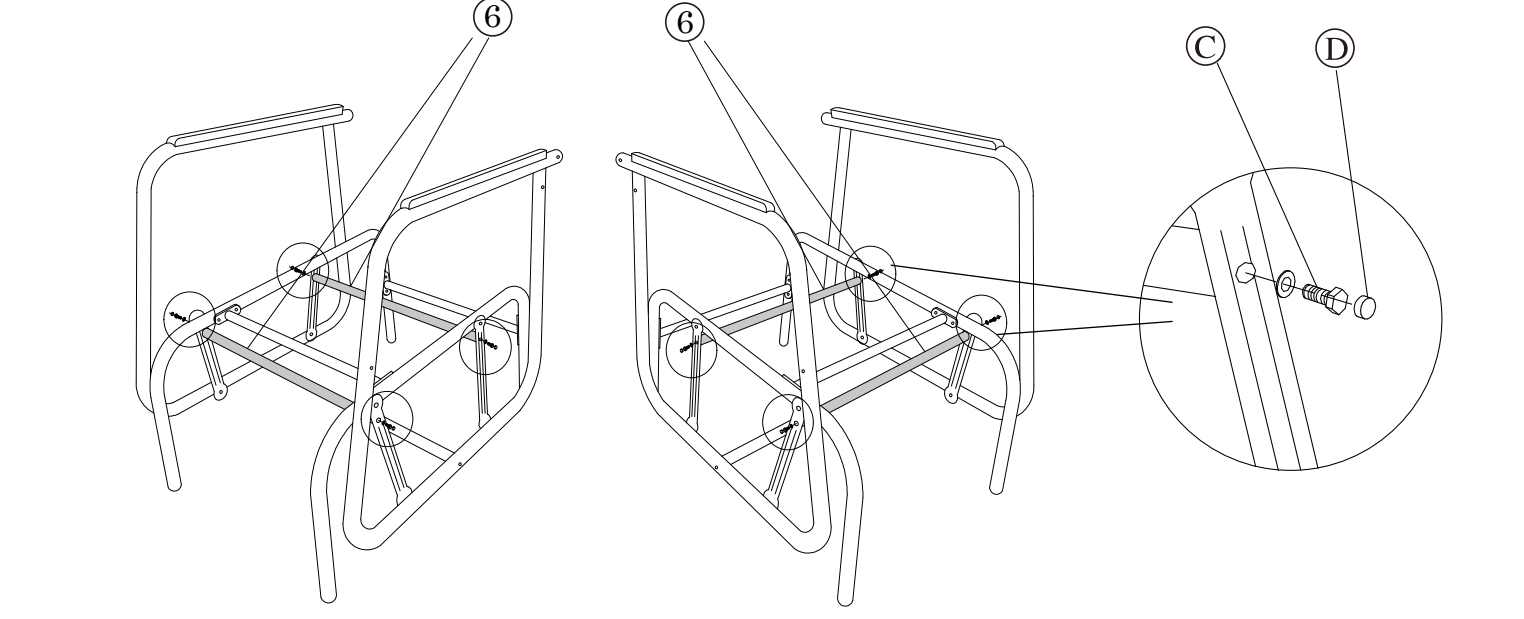
Step 3



Don't fully tighten the bolts until step 6.

Ⓐ	4 sets of M6 x 35 bolt		Socket Wrench M6
Ⓓ	4 x M6 bolt caps		

Step 4



Don't fully tighten the bolts until step 6.

Ⓒ	8 sets of M6 x 15 bolt		Socket Wrench M6
Ⓓ	8 x M6 bolt caps		