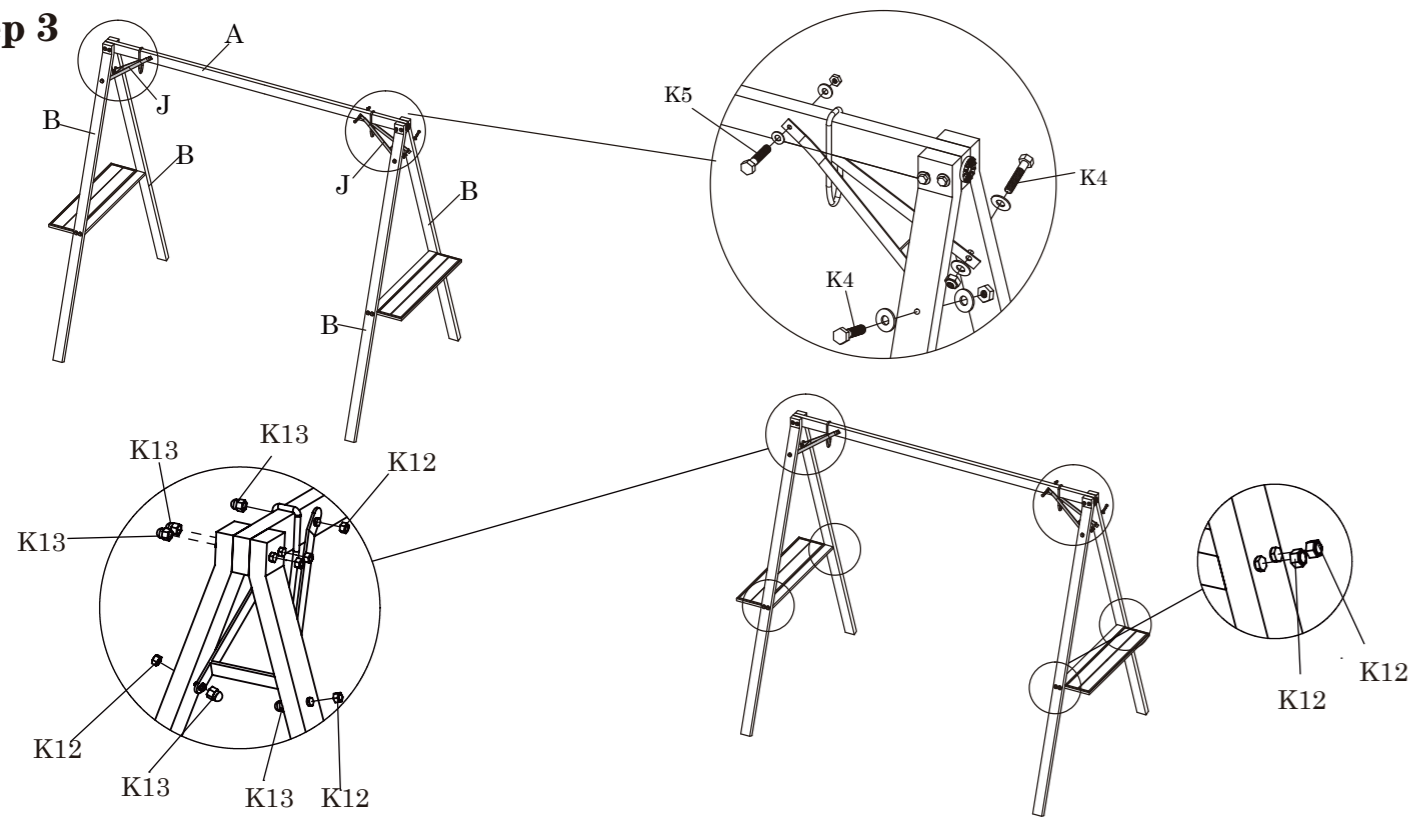


ASSEMBLY INSTRUCTIONS

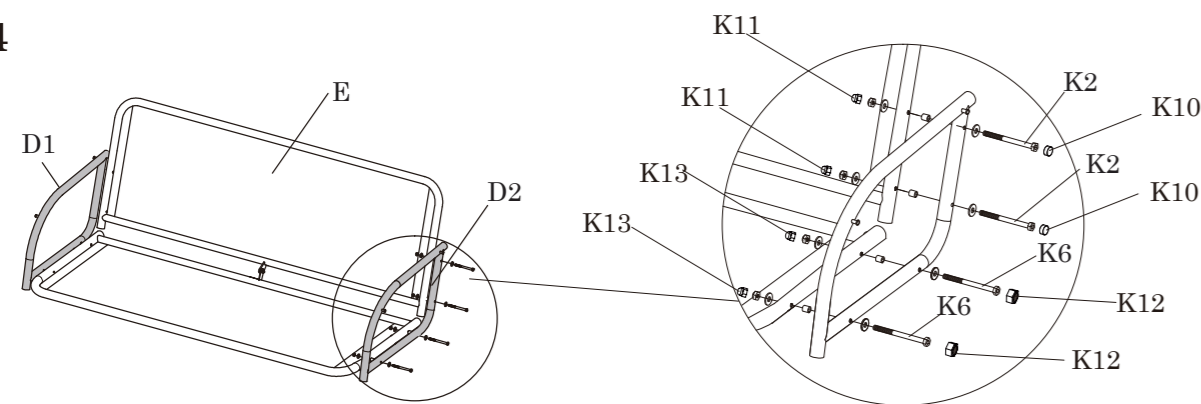
Step 3



Don't tighten completely. Repeat procedure for the other side and other support triangle.

K4	4 sets of M8 x 50 bolt		M8 Flat Wrench	M6 Socket Wrench M8
K5	2 sets of M8 x 55 bolt		K12	18 x M8 bolt caps
K13	10 x M8 nut caps			

Step 4

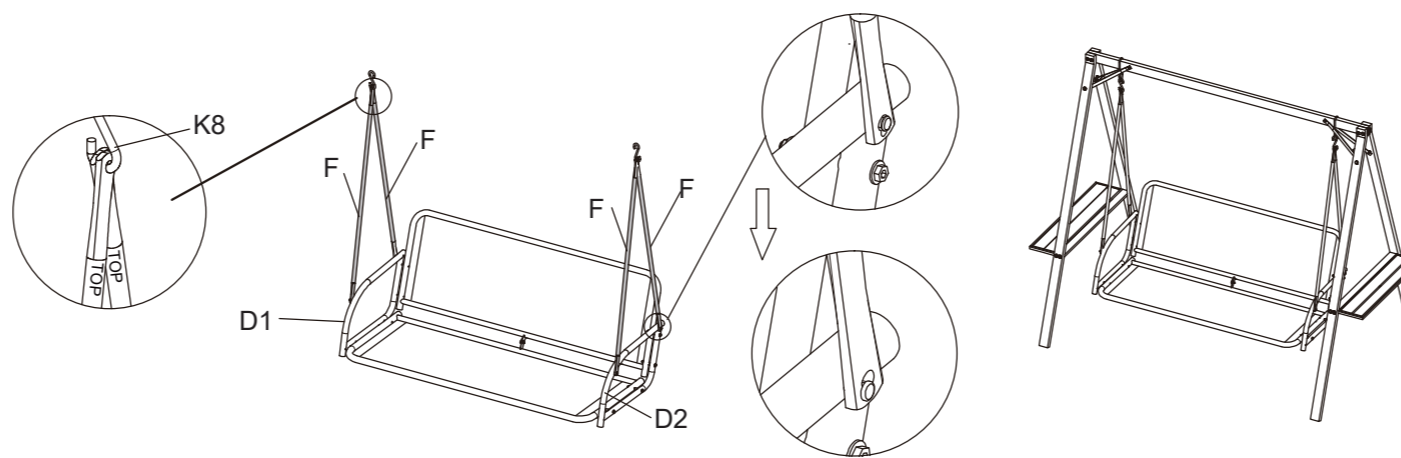


Don't tighten completely. Repeat procedure for the other side. Tighten all bolts and nuts.

K6	4 sets of M8 x 85 bolt		M8 Flat Wrench	M6 Socket Wrench M8
K2	4 sets of M6 x 80 bolt		K10	4 x M6 bolt caps
K11	4 x M6 nut caps		K12	4 x M8 bolt caps
K13	4 x M8 nut caps			

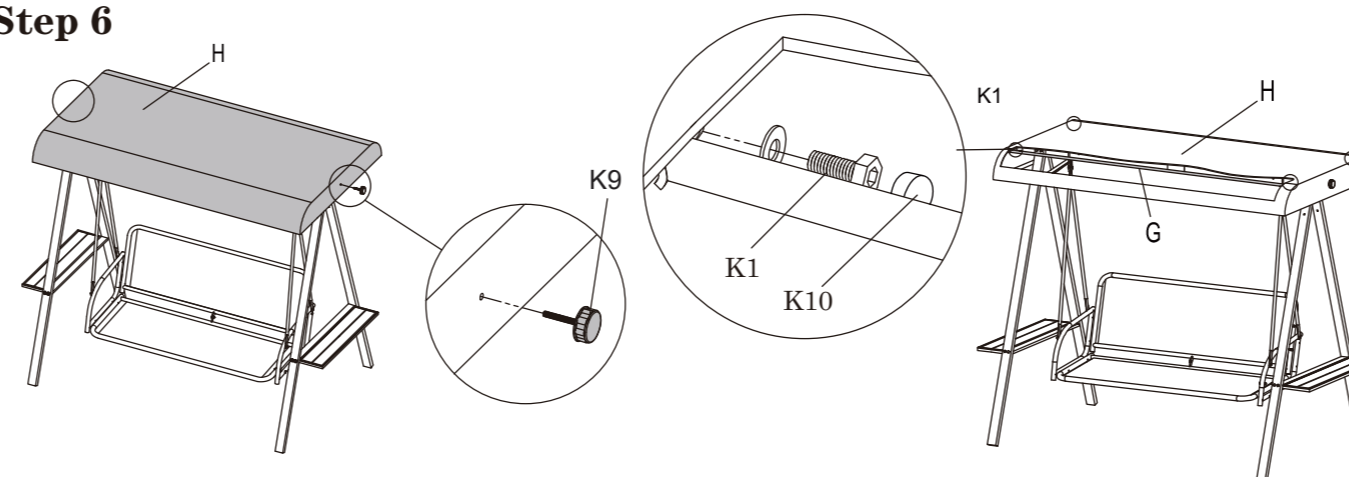
ASSEMBLY INSTRUCTIONS

Step 5



K8 2 hooks

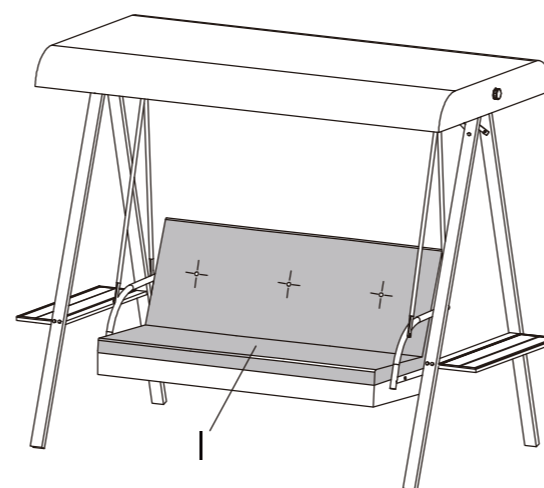
Step 6



Tighten all bolts and nuts.

K9	2 knobs		M8 Flat Wrench	M6 Socket Wrench M8
K1	4 sets of M6 x 15 bolt		K10	4 x M6 bolt caps

Step 7

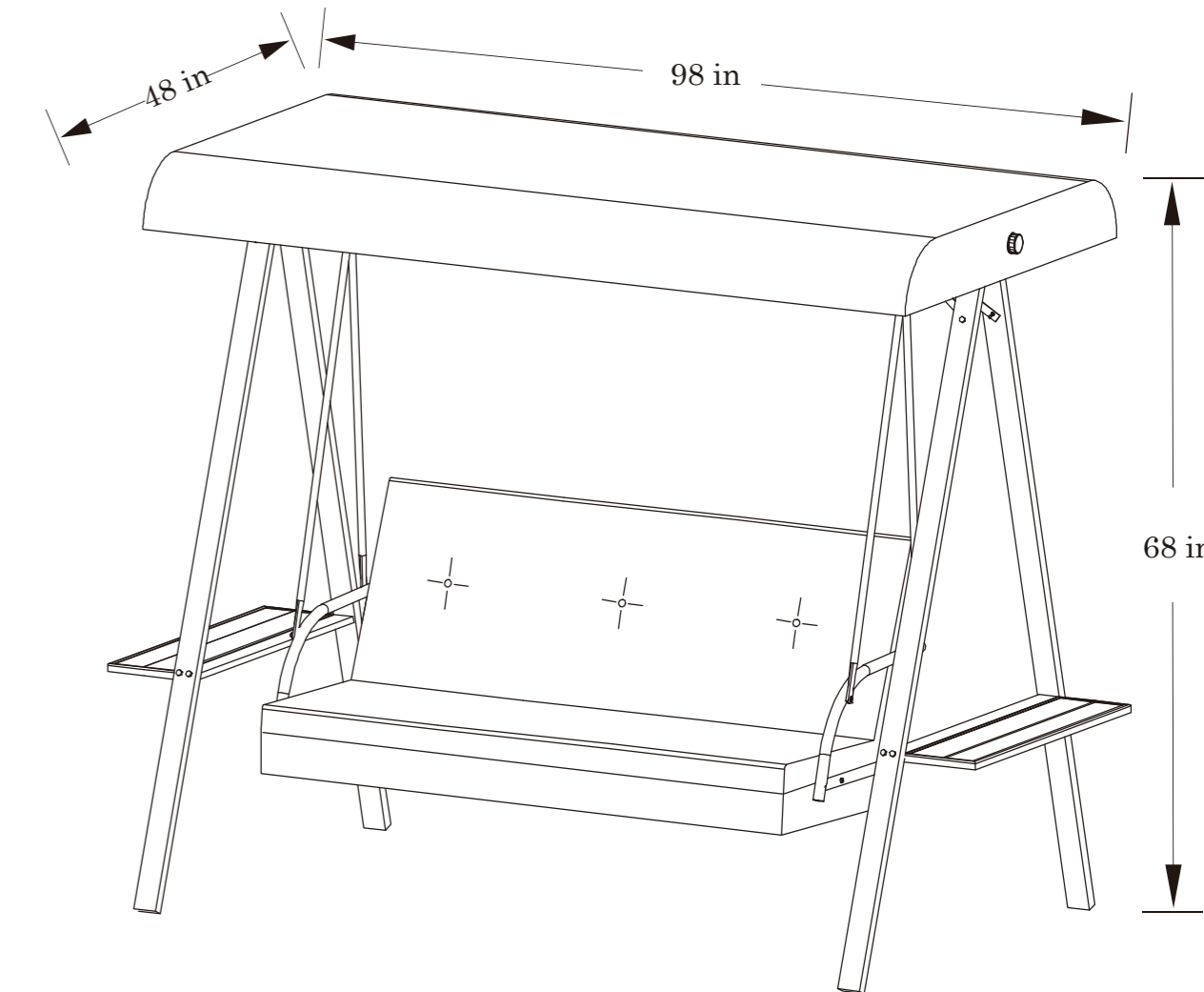


Place cushion on the seat and fix it!



68 IN. HANFORD CANOPY SWING
INSTRUCTION MANUAL
SKU# 6005304

Please read instructions carefully before use. Retain for future reference.
CAUTION: Pinch Point, please keep hands clear from moving parts.



Assembled Dimensions

Approximate assembly time: 60 Minutes	People for assembly:	Required assembly space: Floor area 12.5 ft. x 9 ft. (3.8 m x 3 m)
--	----------------------	---

Required assembly tools (included):

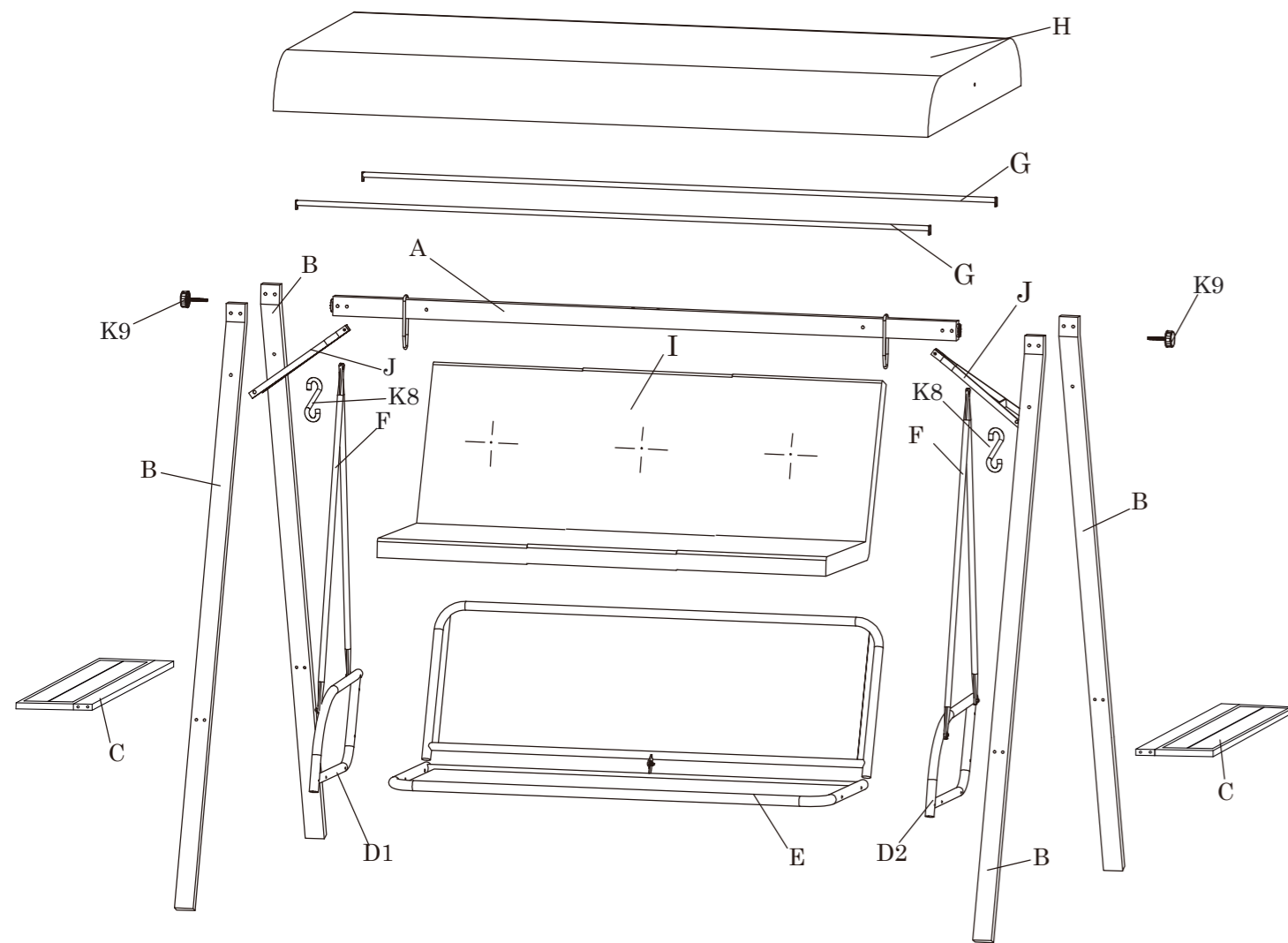


CAUTION:
Hand tools only, use of
power tools could damage product.

Distributed by:
TRACTOR SUPPLY COMPANY
5401 VIRGINIA WAY
BRENTWOOD, TN 37027
For customer support,
call: 1-888-376-9601
www.TractorSupply.com

PARTS LIST

No.	Description	Quantity	No.	Description	Quantity
A	Top Frame Bar	1	F	Hanging Bar	4
B	Leg	4	G	Support Crossbar	2
C	Leg Crossbar	2	H	Canpoy	1
D1	Right Armrest	1	I	Cushion	1
D2	Left Armrest	1	J	Support Triangle	2
E	Seat and Back	1			



HARDWARE LIST

K1	4 sets of M6 x 15 bolt + 1 spare set		K8	2 hooks	
K2	4 sets of M6 x 80 bolt + 1 spare set		K9	2 knobs	
K3	8 sets of M8 x 45 bolt + 1 spare set		K10	8 x M6 bolt caps + 1 spare cap	
K4	4 sets of M8 x 50 bolt + 1 spare set		K11	4 x M6 nut caps + 1 spare cap	
K5	2 sets of M8 x 55 bolt + 1 spare set		K12	22 x M8 bolt caps + 1 spare cap	
K6	4 sets of M8 x 85 bolt + 1 spare set		K13	14 x M8 nut caps + 1 spare cap	
K7	4 sets of M8 x 105 bolt + 1 spare set				

TIPS BEFORE YOU START

- * Ensure that all parts are present prior to assembly.
- * Check all packing material carefully before discarding, as some parts may be encased in the packing material.
- * For ease and speed of assembly, it is recommended that all required parts be identified prior to each step.
- * Ensure that you have sufficient space and the number of people (as indicated on page 1) to assemble the product safely.
- * During assembly, take care not to over-tighten any fittings, as this may damage the product.

CARE AND MAINTENANCE

- * Always inspect the product for any obstructions during each use.
- * The manufacturer will not accept responsibility for unauthorized repairs or modifications to this product.
- * To clean, wash the frame and the fabric with mild soap and water; rinse thoroughly; dry the frame completely and allow the fabric to drip dry away from direct sunlight.
- * Do not use bleach, acid, or other solvents on the fabric or frame parts.
- * To prolong the life of your furniture, we recommend storing it in a dry area when not in use or during severe weather conditions.

! WARNING

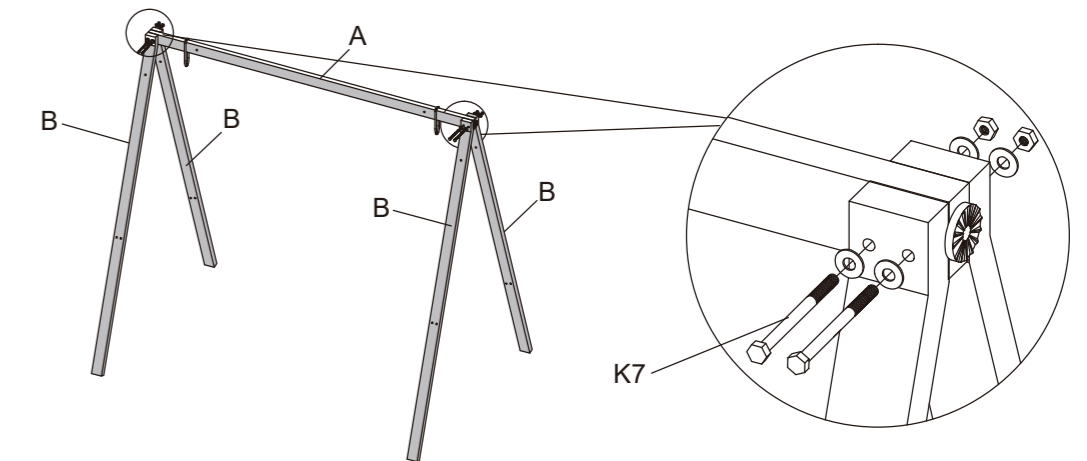
- * Annually:
 - * Check all nuts and bolts for tightness each season, and more often if used frequently.
 - * Oil all metal moving parts with a general - purpose lubricating oil to ensure proper performance and safety.
- * Keep children away during assembly. This item contains small parts which can be swallowed by children. Children should always be under adult supervision while using this product.
- * This product is for residential use only, not for commercial use.

! WEIGHT LIMIT

Swing: 600 lbs (272.16 kg)

ASSEMBLY INSTRUCTIONS

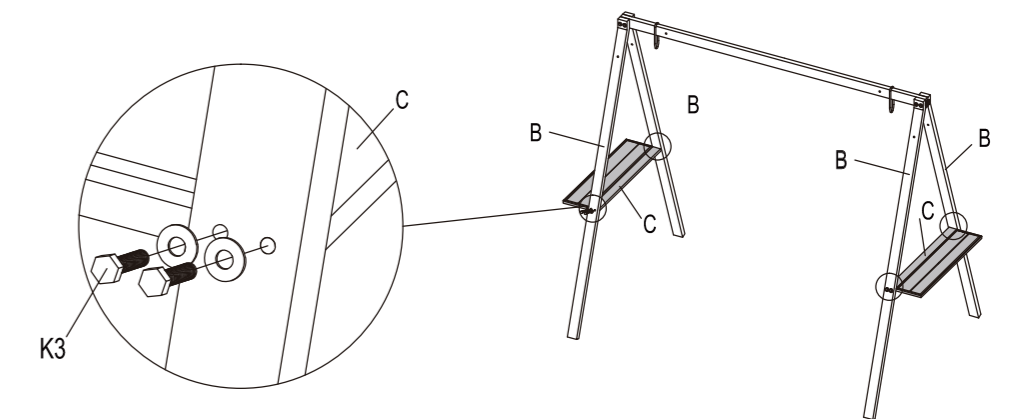
Step 1



Don't tighten completely. Repeat procedure for the other side.

K7	4 sets of M8 x 105 bolt		M8 Flat Wrench	M6 Socket Wrench M8
----	-------------------------	--	----------------	---------------------

Step 2



Don't tighten completely. Repeat procedure for the other side and other leg crossbar.

K3	8 sets of M8 x 45 bolt		M8 Flat Wrench	M6 Socket Wrench M8
----	------------------------	--	----------------	---------------------