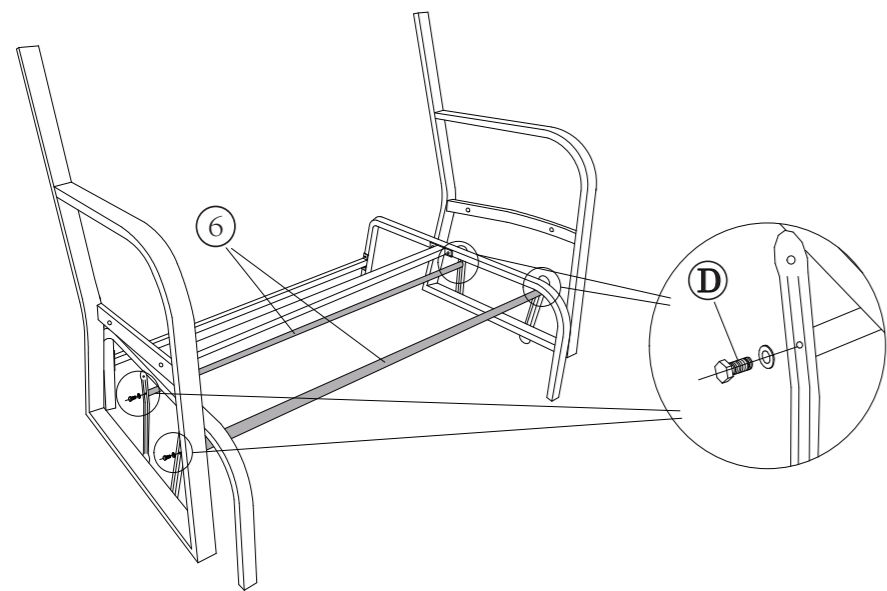


**ASSEMBLY INSTRUCTIONS**

**Step 3**



Don't fully tighten the bolts until step 5.

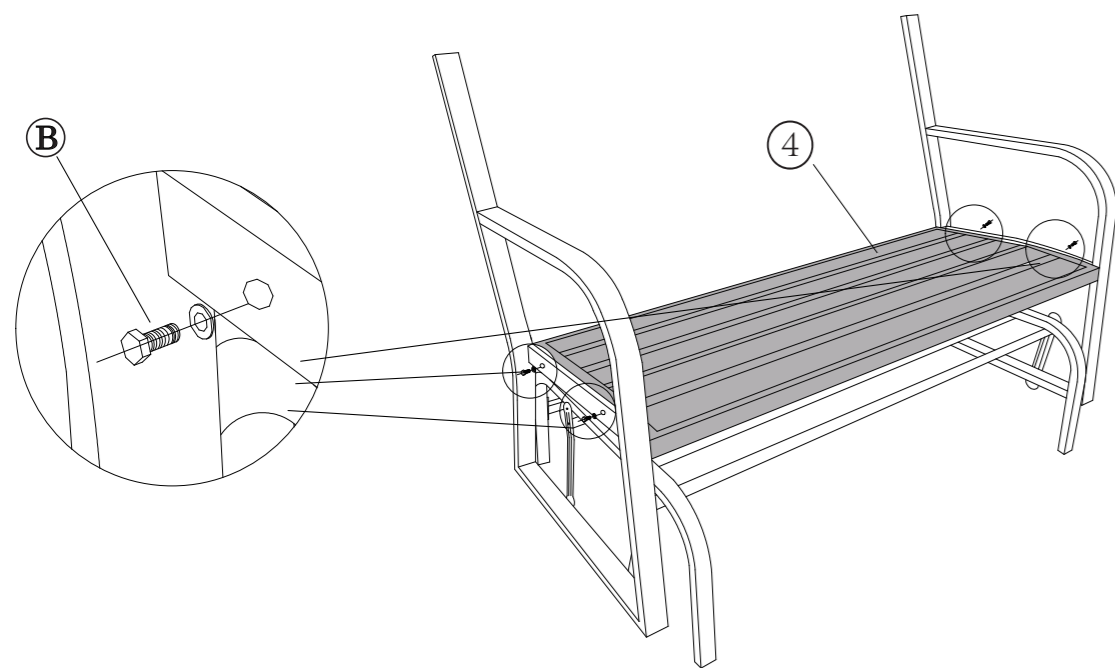
**D** 4 sets of  
M6 x 15 bolt



Socket Wrench M6



**Step 4**



Don't fully tighten the bolts until step 5.

**B** 4 sets of  
M6 x 30 bolt

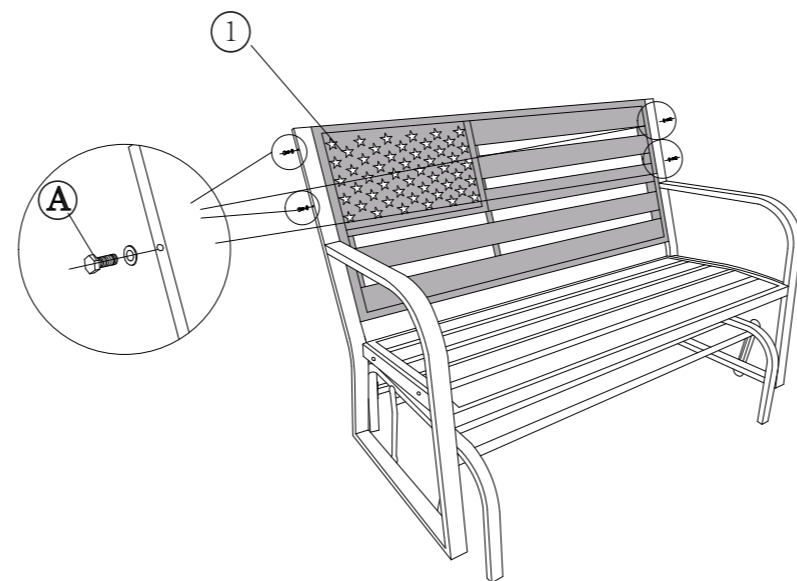


Socket Wrench M6



**ASSEMBLY INSTRUCTIONS**

**Step 5**



Fully tighten all the bolts once all the bolts in place!

**A** 4 sets of  
M6 x 50 bolt

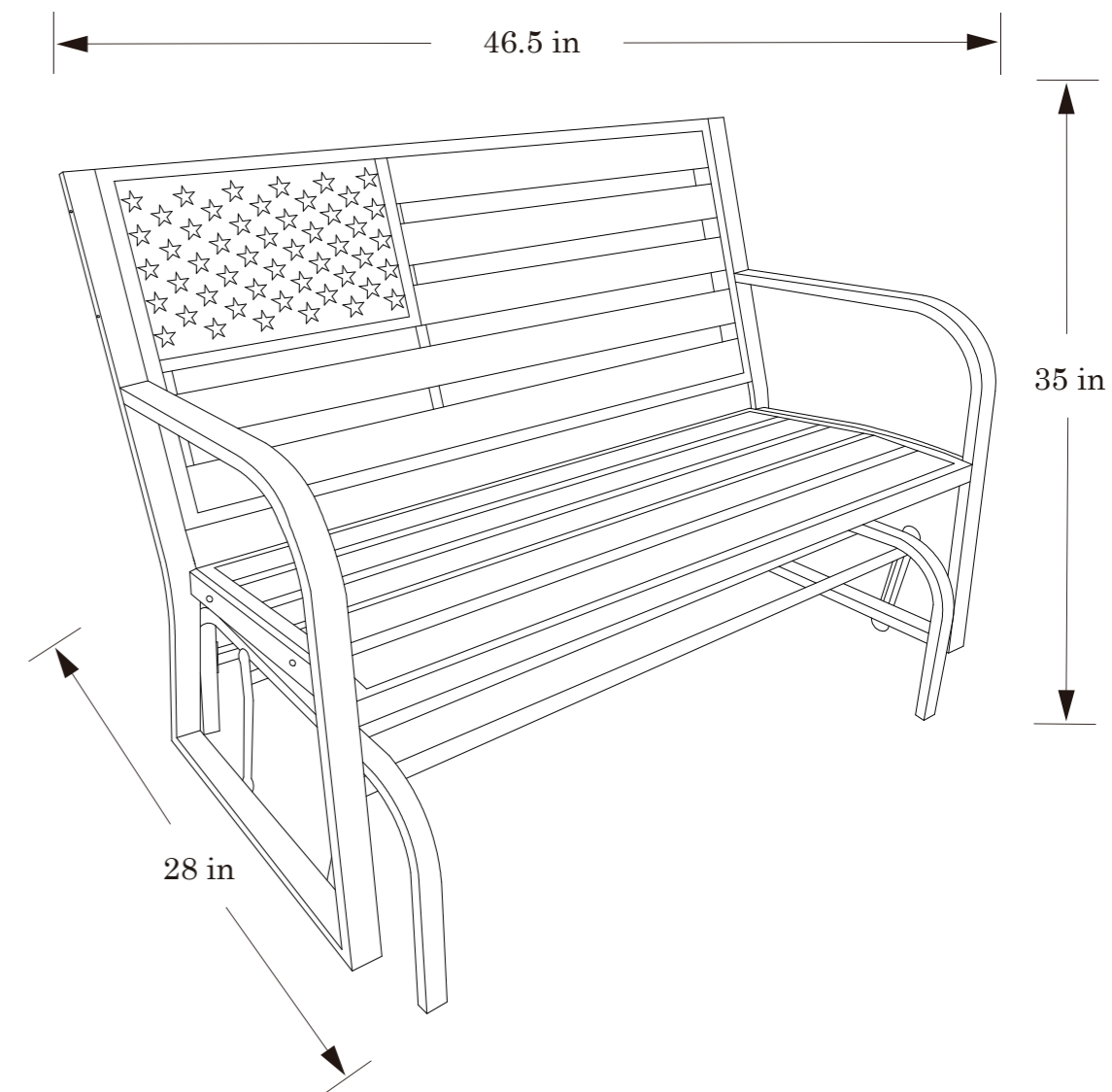


Socket Wrench M6



**46.5 IN. AMERICANA GLIDER**  
INSTRUCTION MANUAL  
SKU# 6005303

Please read instructions carefully before use. Retain for future reference.  
**CAUTION: Pinch Point, please keep hands clear from moving parts.**



**Assembled Dimensions**

Approximate  
assembly time: **20 Minutes**

People  
for assembly:

Required assembly space:  
Floor area 9 ft. x 9 ft. (3 m x 3 m)



Required assembly tools (included):

Socket Wrench M6

**CAUTION:**  
Hand tools only, use of  
power tools could damage product.

Distributed by:  
TRACTOR SUPPLY COMPANY  
5401 VIRGINIA WAY  
BRENTWOOD, TN 37027  
For customer support,  
call: 1-888-376-9601  
www.TractorSupply.com

**PARTS LIST**

NO.	Description	Quantity	NO.	Description	Quantity
①	Back	1	⑤	Support Brace A	2
②	Left Armrest	1	⑥	Support Brace B	2
③	Right Armrest	1	⑦	Left Feet	1
④	Seat	1	⑧	Right Feet	1

**HARDWARE LIST**

Ⓐ	4 sets of M6 x 50 bolt + 1 spare set	Ⓑ	4 sets of M6 x 30 bolt + 1 spare set
Ⓒ	4 sets of M6 x 25 bolt + 1 spare set	Ⓓ	12 sets of M6 x 15 bolt + 1 spare set

**TIPS BEFORE YOU START**

- \* Ensure that all parts are present prior to assembly.
- \* Check all packing material carefully before discarding, as some parts may be encased in the packing material.
- \* For ease and speed of assembly, it is recommended that all required parts be identified prior to each step.
- \* Ensure that you have sufficient space and the number of people (as indicated on page 1) to assemble the product safely.
- \* During assembly, take care not to over-tighten any fittings, as this may damage the product.

**CARE AND MAINTENANCE**

- \* Always inspect the product for any obstructions during each use.
- \* The manufacturer will not accept responsibility for unauthorized repairs or modifications to this product.
- \* To clean, wash the frame and the fabric with mild soap and water; rinse thoroughly; dry the frame completely and allow the fabric to drip dry away from direct sunlight.
- \* Do not use bleach, acid, or other solvents on the fabric or frame parts.
- \* To prolong the life of your furniture, we recommend storing it in a dry area when not in use or during severe weather conditions.

**! WARNING**

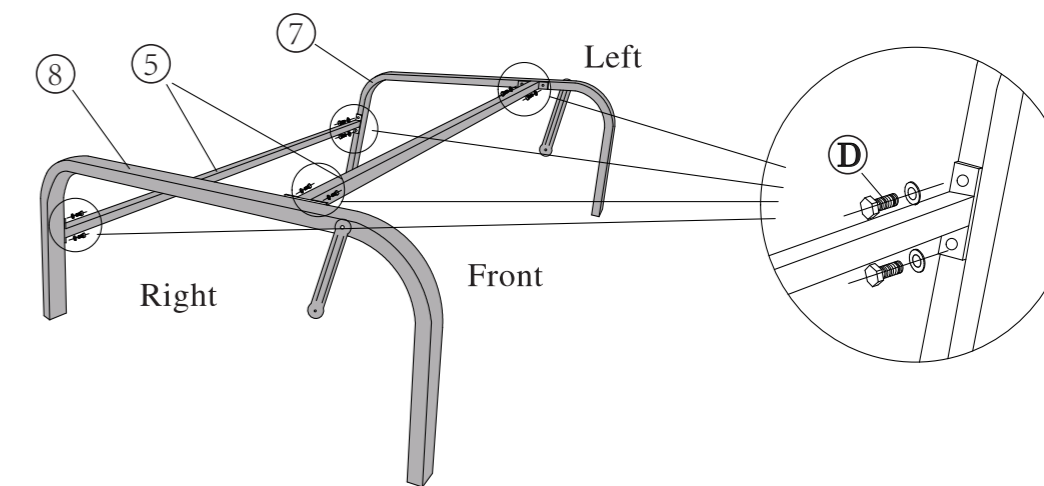
- \* Annually:
  - \* Check all nuts and bolts for tightness each season, and more often if used frequently.
  - \* Oil all metal moving parts with a general - purpose lubricating oil to ensure proper performance and safety.
- \* Keep children away during assembly. This item contains small parts which can be swallowed by children. Children should always be under adult supervision while using this product.
- \* This product is for residential use only, not for commercial use.

**! WEIGHT LIMIT**

Chair: 450 lbs (204.12 kg)

**ASSEMBLY INSTRUCTIONS**

**Step 1**



Fully tighten all the bolts once all the bolts in place!

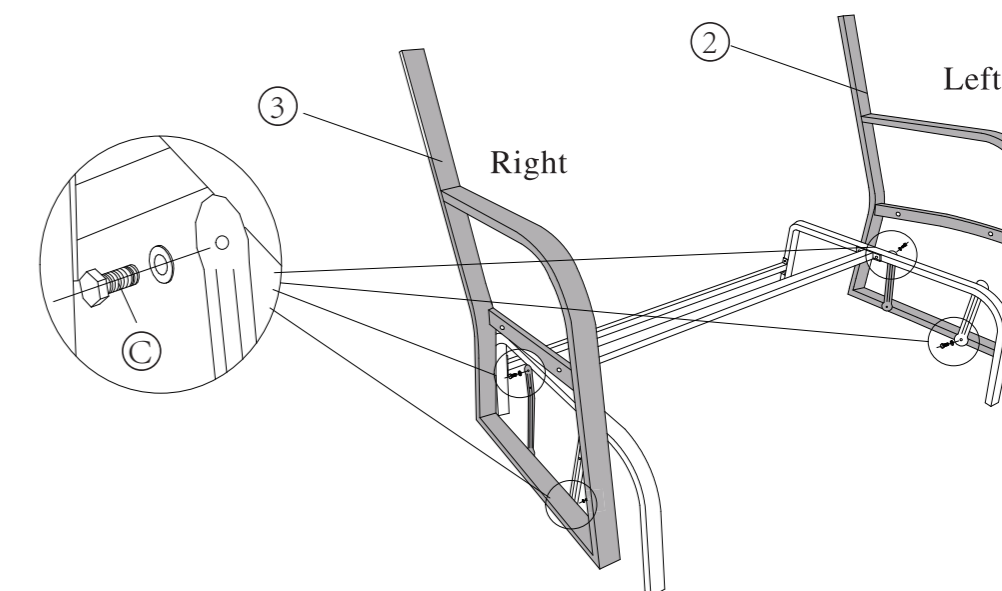
Ⓓ 8 sets of M6 x 15 bolt



Socket Wrench M6



**Step 2**



Don't fully tighten the bolts until step 5.

Ⓒ 4 sets of M6 x 25 bolt



Socket Wrench M6

