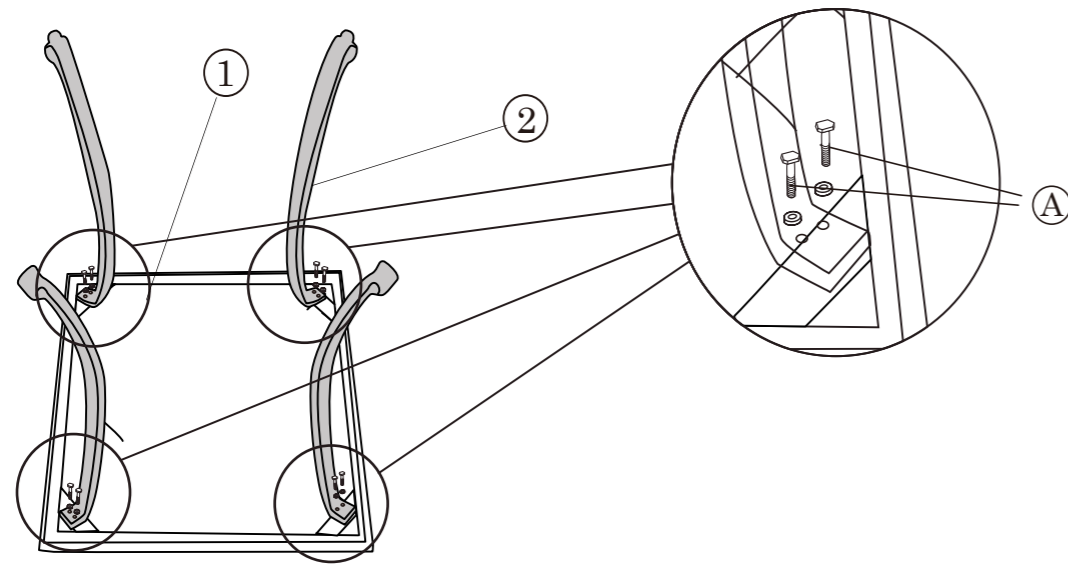


ASSEMBLY INSTRUCTIONS

Step 1



Don't fully tighten the bolts until step 2.

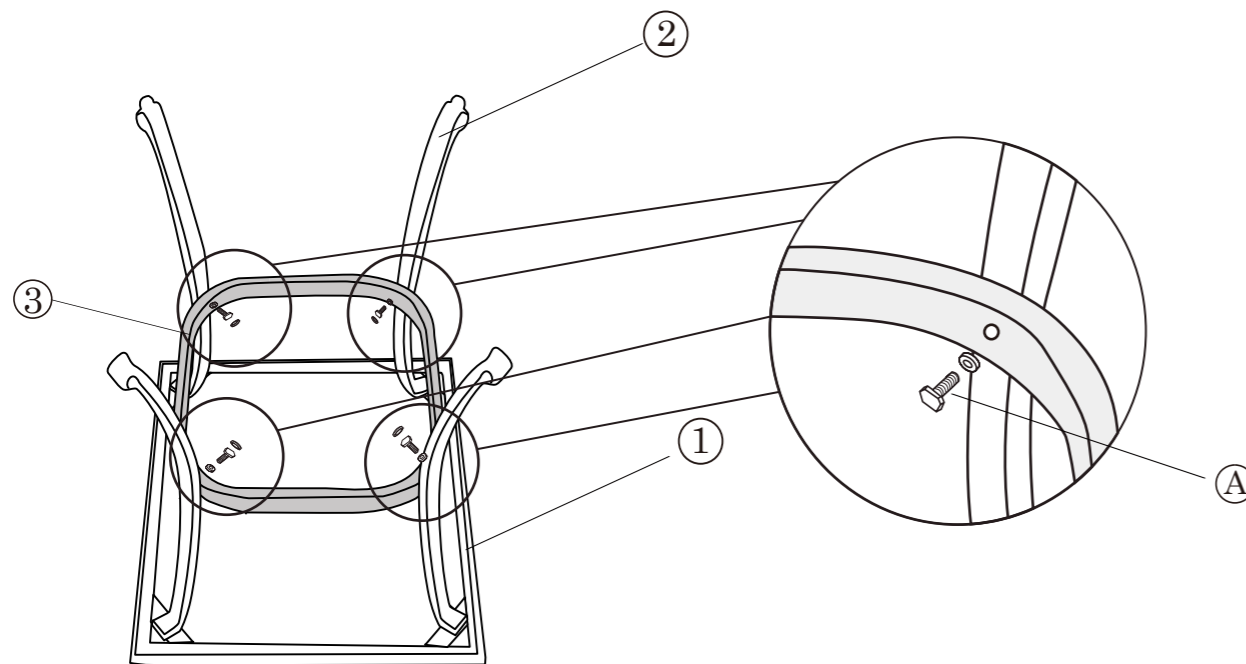
A 8 sets of M6 x 15 bolt



Socket Wrench M6



Step 2



Fully tighten all the bolts once all the bolts in place!

A 4 sets of M6 x 15 bolt



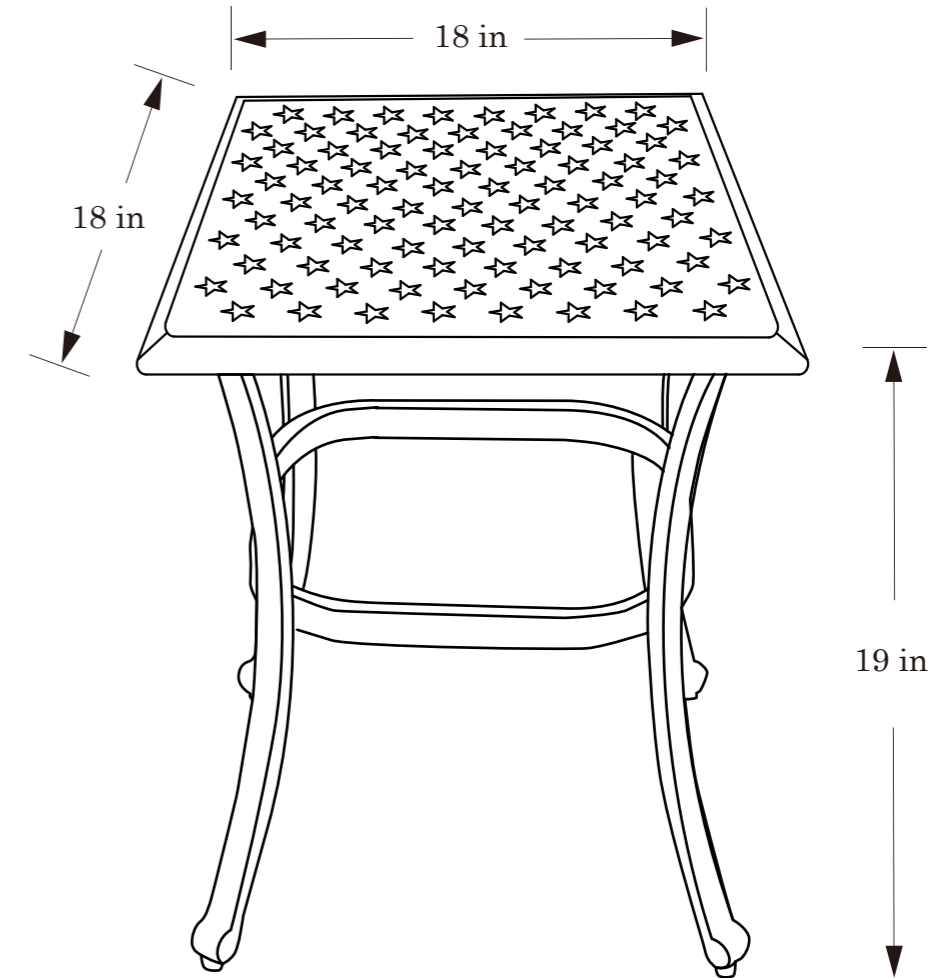
Socket Wrench M6



19 IN. AMERICANA SIDE TABLE
INSTRUCTION MANUAL
SKU# 6005301

Please read instructions carefully before use. Retain for future reference.

CAUTION: Pinch Point, please keep hands clear from moving parts.



Assembled Dimensions

Approximate assembly time: 10 Minutes

People for assembly: 

Required assembly space:
Floor area 5 ft. x 5 ft. (1.5m x 1.5 m)



Required assembly tools (included):

Socket Wrench M6 

CAUTION:
Hand tools only, use of power tools could damage product.

Distributed by:
TRACTOR SUPPLY COMPANY
5401 VIRGINIA WAY
BRENTWOOD, TN 37027
For customer support,
call: 1-888-376-9601
www.TractorSupply.com

TIPS BEFORE YOU START

- * Ensure that all parts are present prior to assembly.
- * Check all packing material carefully before discarding, as some parts may be encased in the packing material.
- * For ease and speed of assembly, it is recommended that all required parts be identified prior to each step.
- * Ensure that you have sufficient space and the number of people (as indicated on page 1) to assemble the product safely.
- * During assembly, take care not to over-tighten any fittings, as this may damage the product.

CARE AND MAINTENANCE

- * Always inspect the product for any obstructions during each use.
- * The manufacturer will not accept responsibility for unauthorized repairs or modifications to this product.
- * To clean, wash the frame and the fabric with mild soap and water; rinse thoroughly; dry the frame completely and allow the fabric to drip dry away from direct sunlight.
- * Do not use bleach, acid, or other solvents on the fabric or frame parts.
- * To prolong the life of your furniture, we recommend storing it in a dry area when not in use or during severe weather conditions.



WARNING

- * Annually:
 - * Check all nuts and bolts for tightness each season, and more often if used frequently.
 - * Oil all metal moving parts with a general - purpose lubricating oil to ensure proper performance and safety.
- * Keep children away during assembly. This item contains small parts which can be swallowed by children. Children should always be under adult supervision while using this product.
- * This product is for residential use only, not for commercial use.

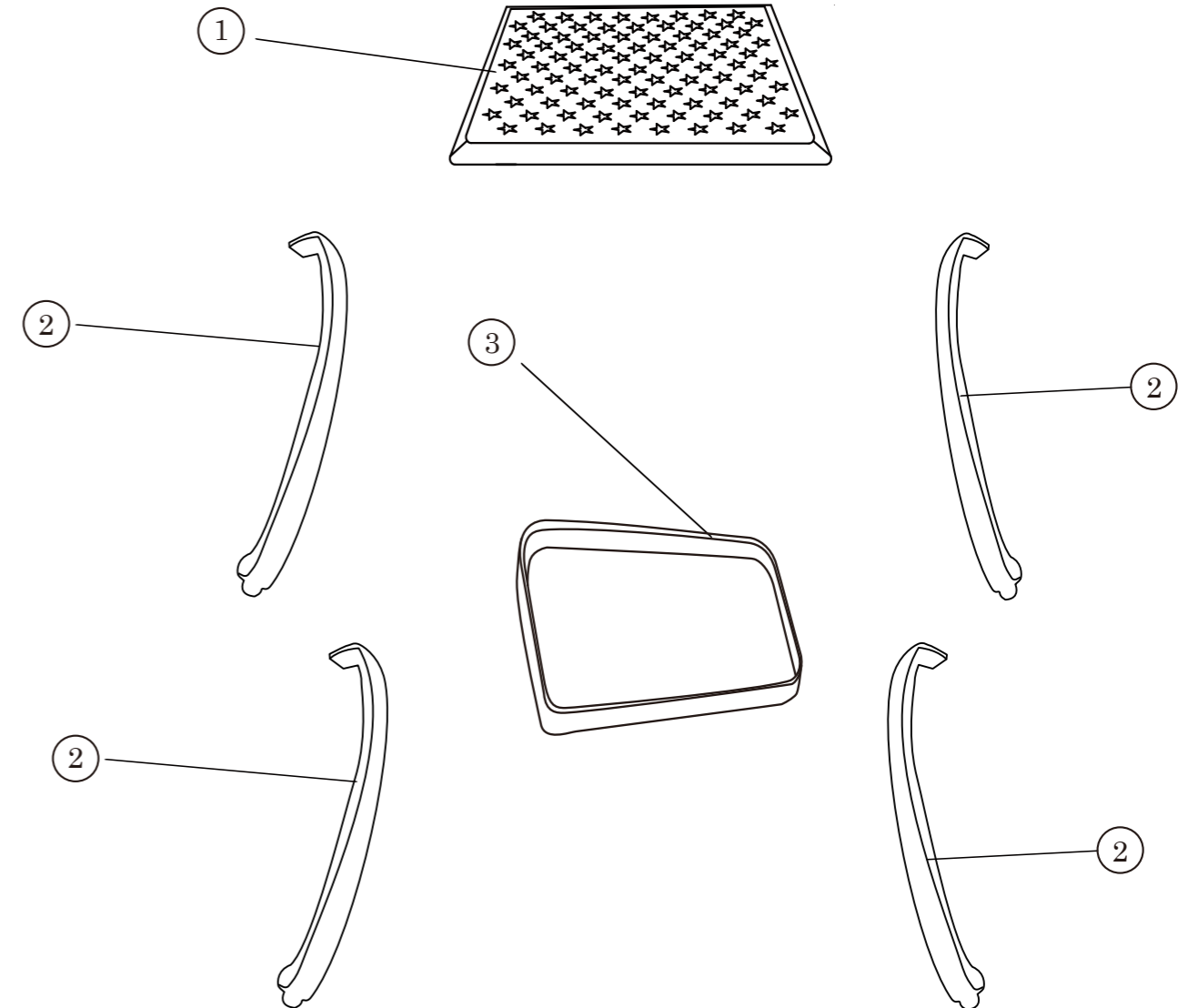


WEIGHT LIMIT

Table: 50 lbs (22.68 kg)

PARTS LIST

No.	Description	Quantity
①	Top	1
②	Leg	4
③	Connection Part	1



HARDWARE LIST

Ⓐ	12 sets of M6 x 15 bolt + 1 spare set	
---	--	--