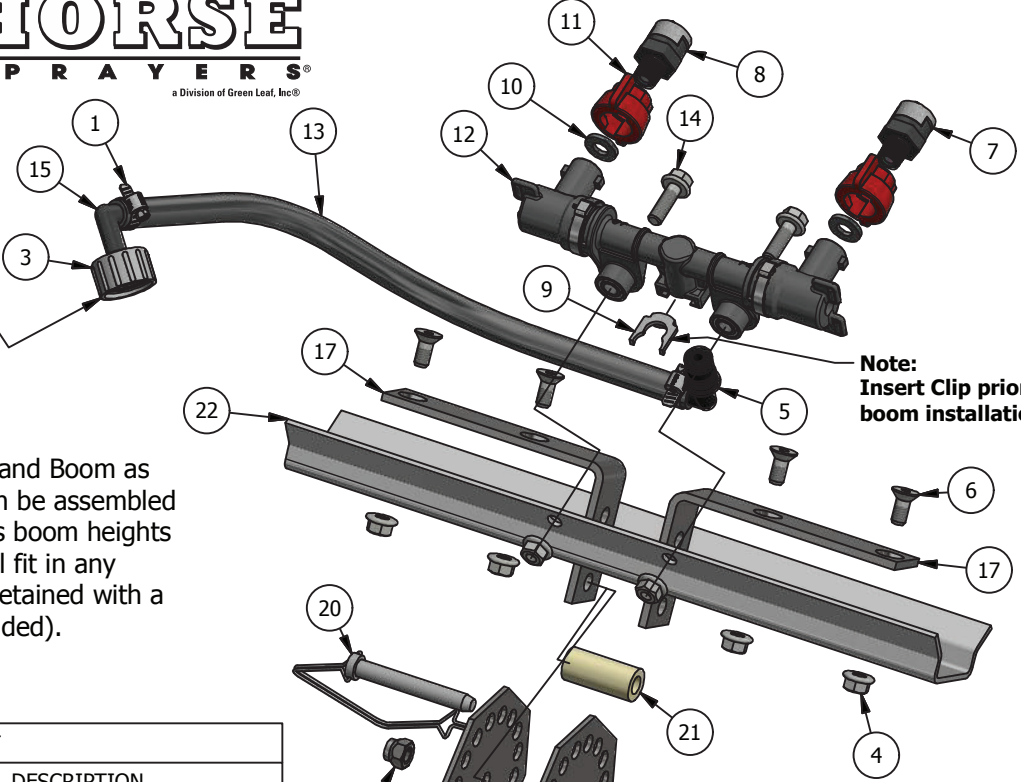




WORKHORSE

SPRAYERS®
a Division of Green Leaf, Inc.®

Attach to pump manifold

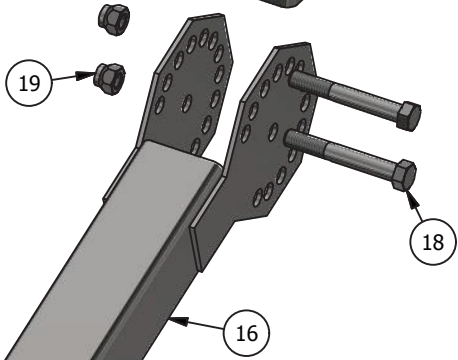


Note:
Insert Clip prior to
boom installation

Assemble Hitch Mount Members and Boom as illustrated. The Hitch Mounts can be assembled in any orientation to allow various boom heights and angles. The Hitch Mount will fit in any standard 2" vehicle hitch and is retained with a standard 5/8" hitch pin (not included).

PARTS LIST			
ITEM	QTY	PART #	DESCRIPTION
1	2	600120	5/8" Hose Clamp
2	1	600124	W 406
3	1	600139	B 3400 P
4	6	600172	5/16-18 Hex Flange Nut
5	1	600185	EL38QD P Fitting
6	4	600188	5/16-18 x 3/4" FLT HD Socket Cap Screw
7	1	600248	BOOMINATOR 1200 PSL
8	1	600249	BOOMINATOR 1200 PSR
9	1	600274	Quick Clip
10	2	600276	Rubber Washer
11	2	600282	Bonnet Cap Threaded
12	1	600283	Boomless Manifold Assembly
13	1	600302	3/8" x 60" Long Hose
14	2	640420	5/16-18 x 1" Hex Flange Bolt
15	1	640448	Flat Seat Swivel x 3/8" Elbow
16	2	640466	Hitch Mount
17	2	640467	Boom Adapter Bracket
18	3	640468	3/8-16 x 2 3/4 Hex Bolt
19	3	640469	3/8-16 UNC Lock Nut
20	1	640470	3/8" Retainer Pin w/ Bail
21	1	640471	Round Spacer 1 5/8" Long (3 Pieces)
22	1	640474	String Wing Adapter Bracket

BOOMLESS HITCH MOUNT P/N: BKBLHM



PATENTED
#10,405,475