



## ASSEMBLY INSTRUCTIONS

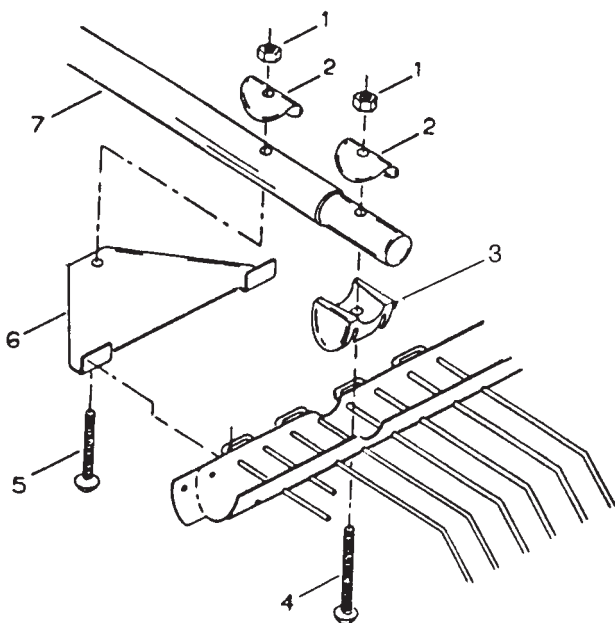
### MDF2 DURA FORK

#### Step 1.

Insert (no. 4) screw (long) as shown on drawing. Make sure (no. 3) bracket support is installed in the proper direction, with the small radius pointing toward the tines.

#### Step 2.

Place the tabs of the fork brace (no. 6) in the slot of the wire tines making sure the holes on the handle (no. 7) and the brace line up. Put (no. 5) screw (short) in place, tighten both nuts.



### MILLER MANUFACTURING COMPANY

1450 West 13th Street, Glencoe, MN 55336 USA

Phone (651) 982.5100 Fax (651) 982.5101

[www.miller-mfg.com](http://www.miller-mfg.com)