

Size: 105mm×148mm

TROUBLESHOOTING

Problem: The sprinkler does not spray water.

Cause: Debris are blocking the water outlet

Solution: Turn off the faucet. Remove the included hole cleaner from the end of the spray bar. Use the hole cleaner to remove any debris from each spray nozzle. Reinstall the hole cleaner to the end of the spray bar.

Problem: Low water pressure

Cause: A build up of debris are blocking the water filter

Solution: Turn off the faucet. Clean the filter and reinstall.

Problem: The swing angle is not correct

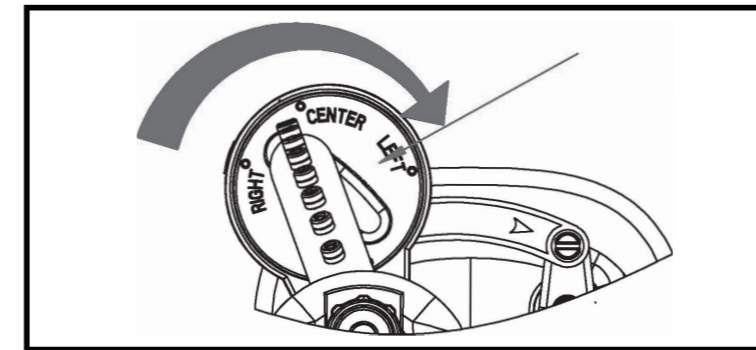
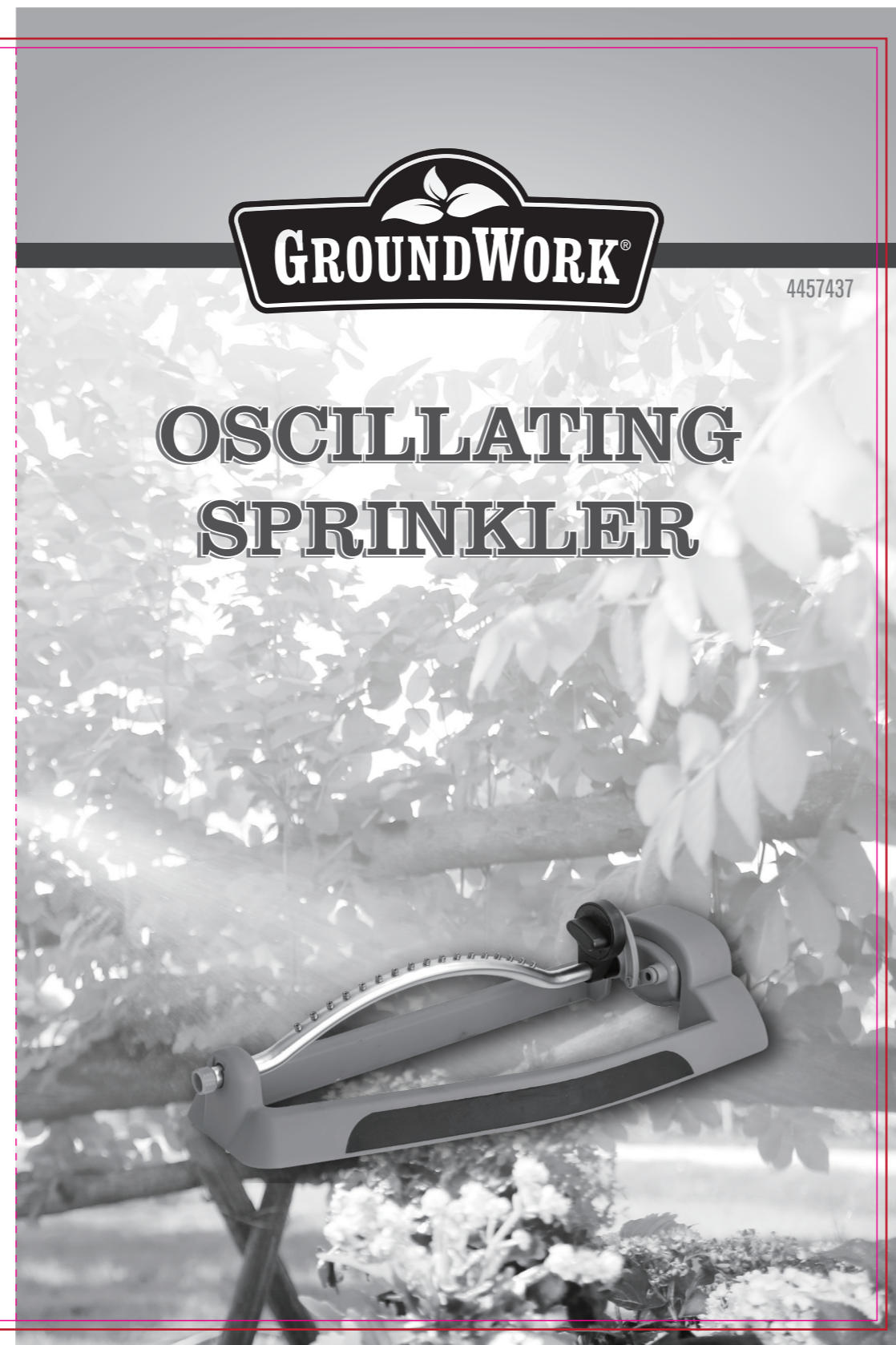
Cause: The adjustment switch is not aligned with the fixed seat arrow.

Solution: Follow instructions on setting the correct spray pattern

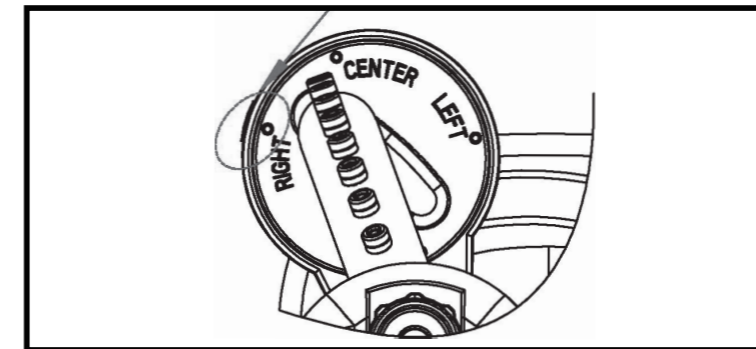
SATISFACTION GUARANTEED

If for any reason you are not completely satisfied with your purchase, please return it to any Tractor Supply Co. ® Store.

Distributed by:
TRACTOR SUPPLY COMPANY
5401 VIRGINIA WAY
BRENTWOOD, TN 37027
For customer support,
call: 1-888-376-9601
www.TractorSupply.com
MADE IN CHINA



The switch rotates clockwise 360° to adjust the spray Angle.



There are four spraying modes of the product, respectively **Right, Center, Left, and Full**, Turn the indicator to the desired spray pattern.

