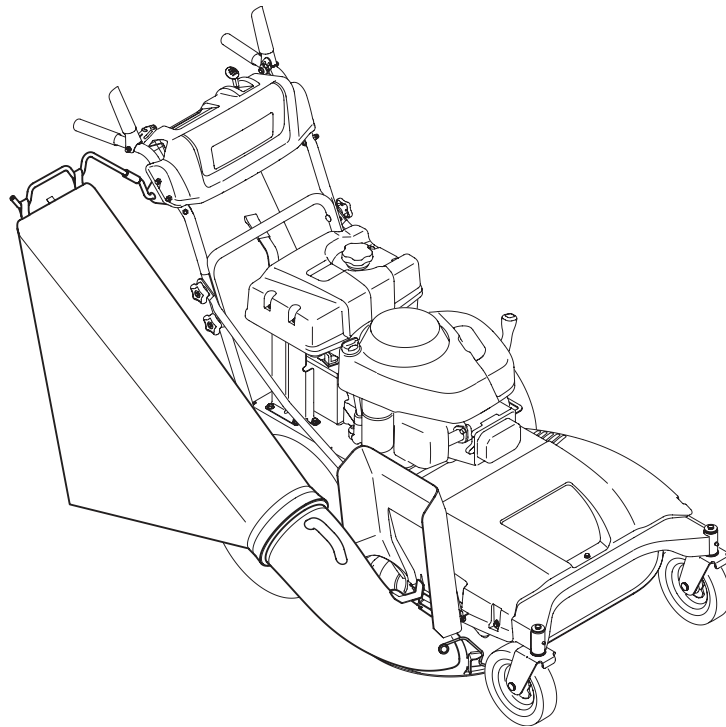


# *Cub Cadet*<sup>®</sup>

## OPERATOR'S MANUAL



### 33-Inch Wide Cut Grass Bag Kit — 19A20001100

#### **⚠ WARNING**

**READ AND FOLLOW ALL SAFETY RULES AND INSTRUCTIONS IN THIS MANUAL  
BEFORE ATTEMPTING TO OPERATE THIS MACHINE.  
FAILURE TO COMPLY WITH THESE INSTRUCTIONS MAY RESULT IN PERSONAL INJURY.**

---

CUB CADET LLC, P.O. BOX 361131 CLEVELAND, OHIO 44136-0019

---

## Customer Support

If you have difficulty assembling this product or have any questions regarding the controls, operation, or maintenance of this machine, you can seek help from the experts. Choose from the options below:

- ◇ Visit us on the web at [www.cubcadet.com](http://www.cubcadet.com)
- ◇ Call a Customer Support Representative at (800) 965-4CUB
- ◇ Locate your nearest Cub Cadet Dealer at (877) 282-8684
- ◇ Write us at Cub Cadet LLC • P.O. Box 361131 • Cleveland, OH • 44136-0019

## Contents of Carton

Before installing this accessory, remove all parts from the carton. Carton contents, including items included within the hardware pack, are shown in Figures 1 and 2. Part numbers are shown in parentheses and each item has been identified with a letter code in brackets, for use when following the assembly instructions.



**WARNING:** Before installing this accessory, shut the engine off and allow it to cool. Disconnect the spark plug wire from the spark plug and remove ignition key on electric start units. Refer to the mower's Operator's Manual for complete safety instructions. Do not operate the mower without the entire grass collector in place. Stop the blade before emptying the grass collector.

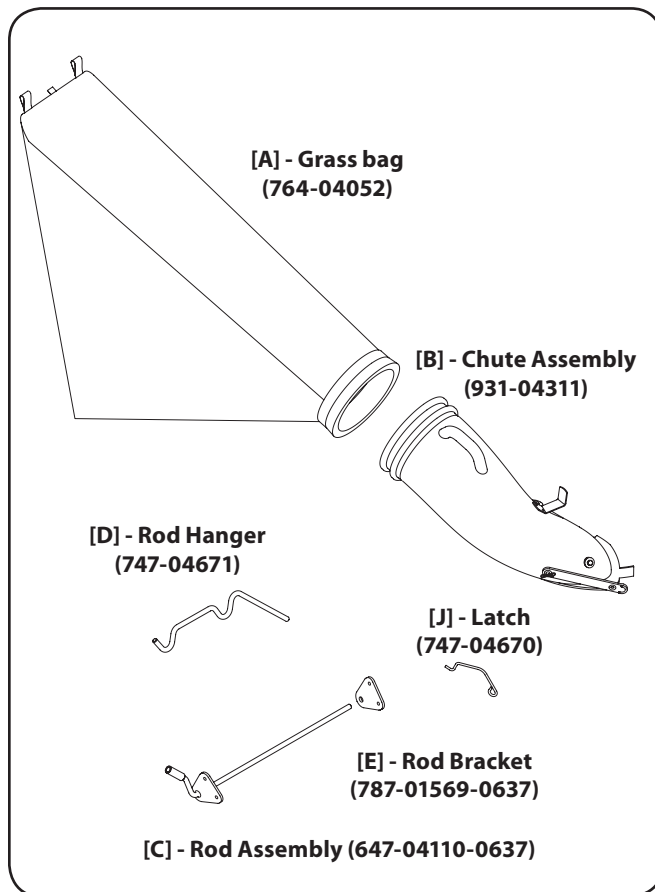


Figure 1

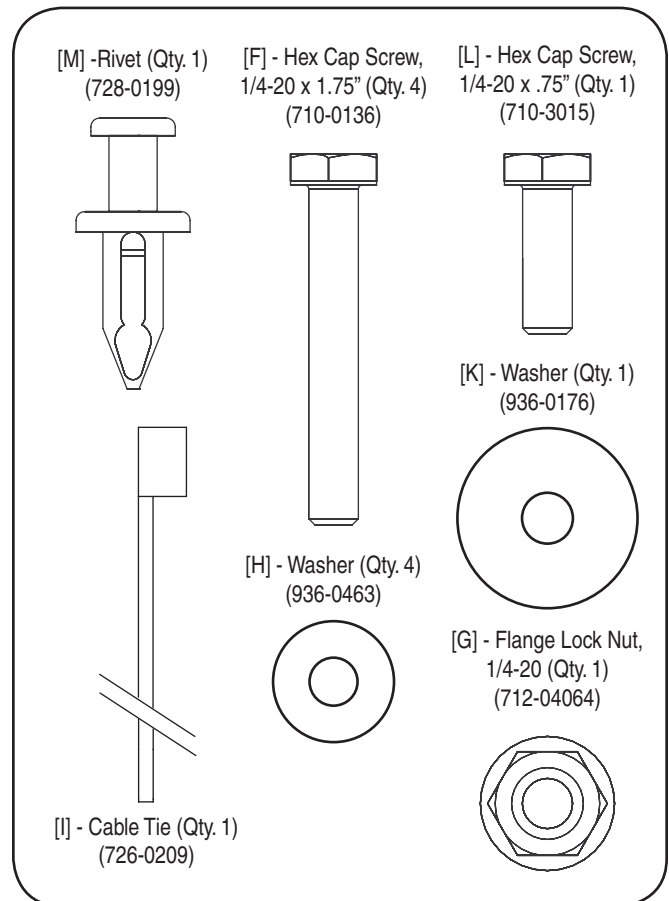


Figure 2

## Installing the Right Side Bracket

1. Shut off engine and disconnect the spark plug wire.
2. Loosen the four star knobs by turning the knobs counterclockwise five full rotations. See Fig. 3.

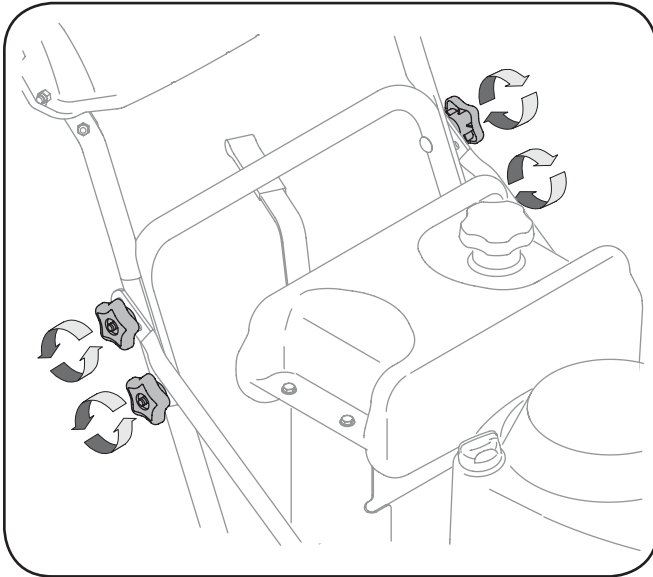


Figure 3

## Removing the Right Side Hardware

3. Remove the following from the right side of the upper handle. See Fig. 4.
  - Two 1/4-20 screws
  - Two flat washers
  - Two 1/4-20 cap lock nuts.
  - Two Jam Nuts

Discard the screws and jam nuts, but retain the two flat washers and two cap lock nuts.

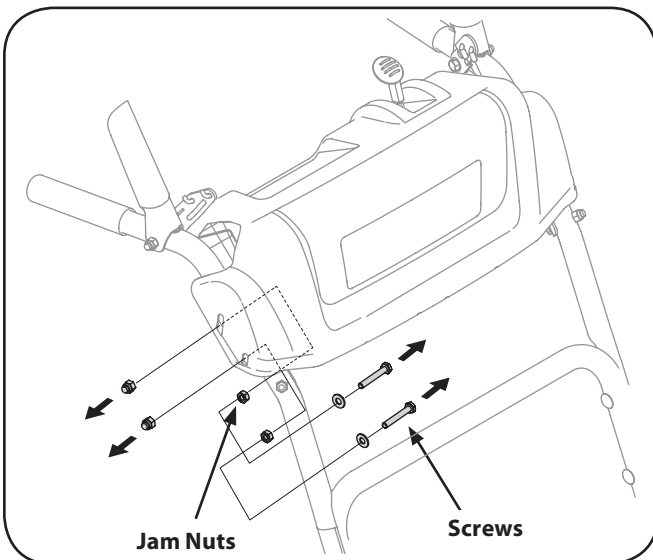


Figure 4

## Installing the Right Bracket

4. Position the rod assembly [C] between the metal panel and the plastic panel cover while aligning holes in rod assembly with holes in the panels and securing with the following hardware. See Fig. 5 and Fig. 6.:
  - Two 1/4-20 x 1.75" screws [F]
  - Two flat washers [H]
  - Two flat washers retained from disassembly
  - Two 1/4-20 cap lock nuts retained from disassembly

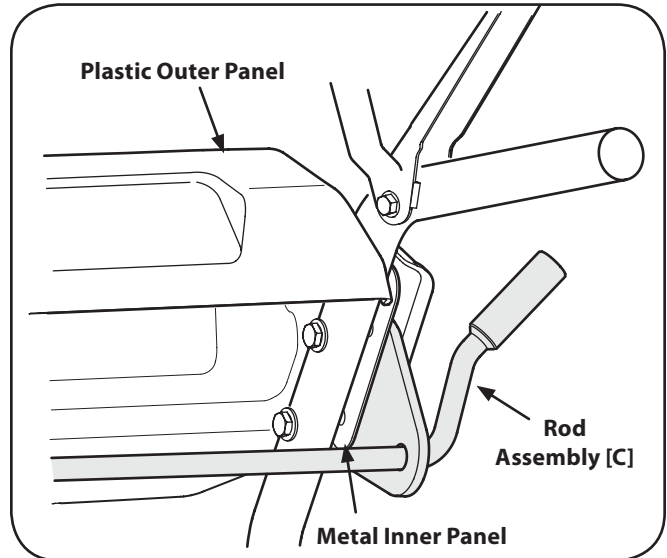


Figure 5

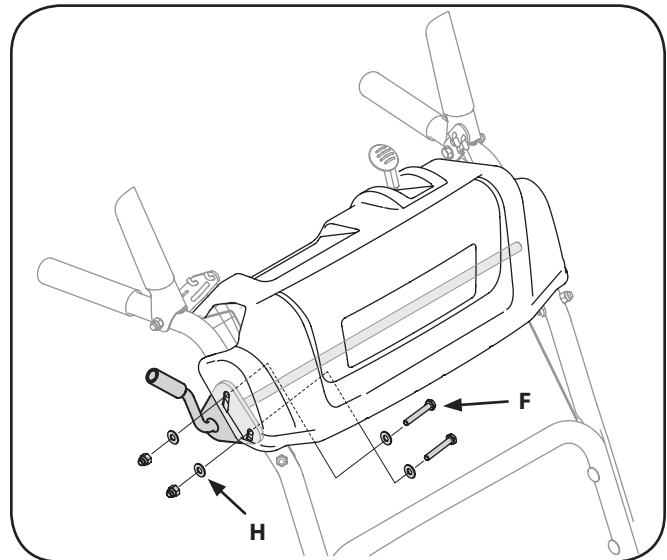


Figure 5

## Installing the Left Side Bracket

### Remove the Left Side Hardware

1. Remove the following from the left side of the upper handle. See Fig. 6.
  - Two 1/4-20 screws
  - Two flat washers
  - Two 1/4-20 cap lock nuts.
  - Two Jam Nuts

Discard the screws and jam nuts, but retain the two flat washers and two cap lock nuts.

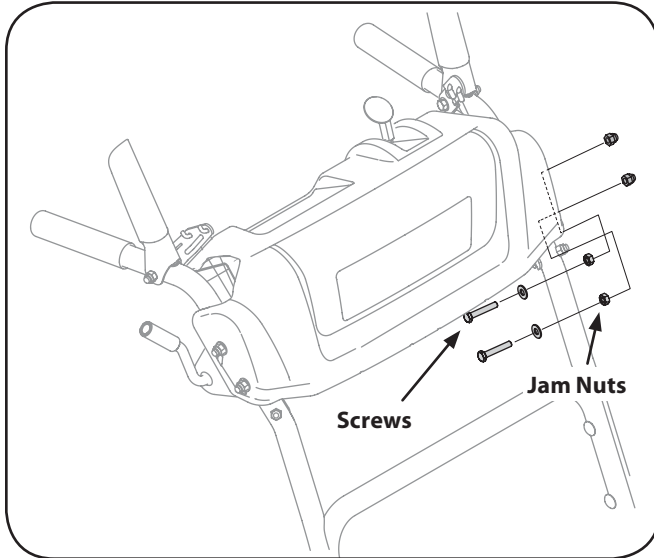


Figure 6

## Installing the Left Bracket

2. Position the rod assembly [C] between the metal panel and the plastic panel cover while aligning holes in rod assembly with holes in the panels and securing with the following hardware. See Fig. 7:
  - Two 1/4-20 x 1.75" screws [F]
  - Two flat washers [H]
  - Two flat washers retained from disassembly
  - Two 1/4-20 cap lock nuts retained from disassembly

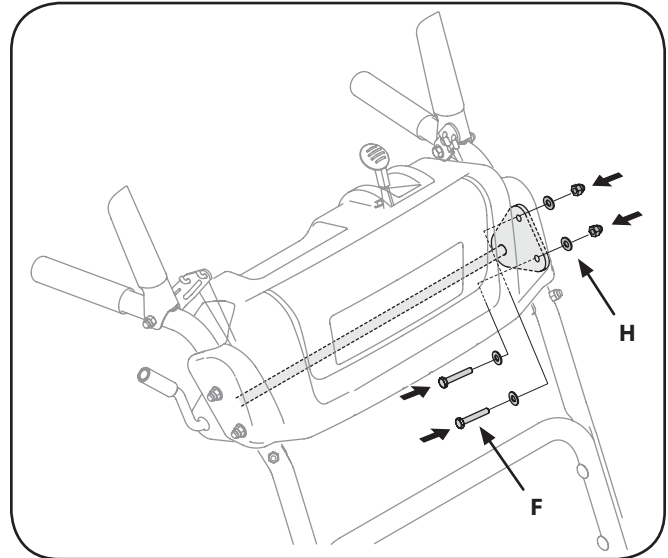


Figure 7

## Tightening the Handle Knobs

1. Tighten the four star knobs loosened in step 2.

## Assembling the Grass Bag

1. Place grass bag [A] over chute assembly [B]. See Fig. 8.
2. Use the cable tie [I] to secure bag to chute assembly by inserting the cable tie into hole in bag and pulling through. Make sure cable is positioned so it ties bag around indented groove (over flange) of chute. See Fig. 8. Pull cable tight with pliers.

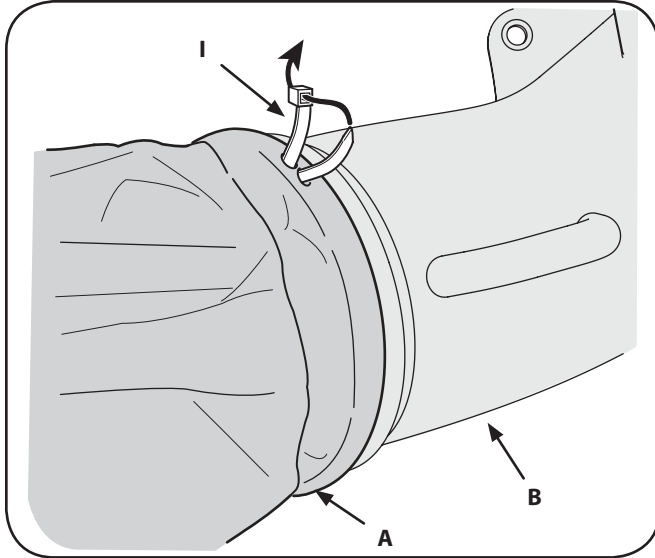


Figure 8

## Attaching the Rod Hanger

1. Insert rod hanger [D] into the opening in the rod assembly [C]. See Fig. 9.
2. Slide the tabs on the grass bag over the bag hanger rod. See Fig. 9.

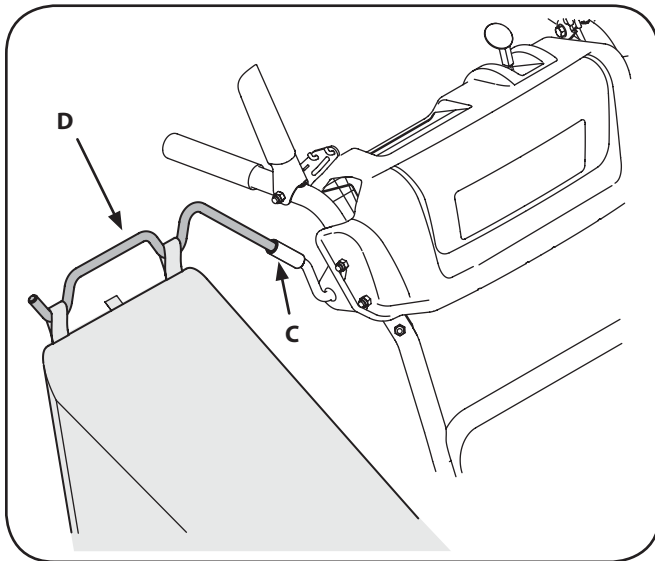


Figure 8

## Attaching the Grass Bag Assembly (newer Style Deck)

1. Lift the chute deflector on the deck back towards engine. See Fig. 9.
2. Place the bottom lip of the chute/grass bag assembly into the lip on the deck. See Fig. 9.
3. Place the tab of the chute/grass bag assembly into the bracket on the deck. See Fig. 9.
4. Lift chute/grass bag to position hole in chute over stud on the deck. The bracket on the chute will hold the chute deflector into an upright position. See Fig. 9.
5. Pull the strap over the tab on the deck. See Fig. 9.

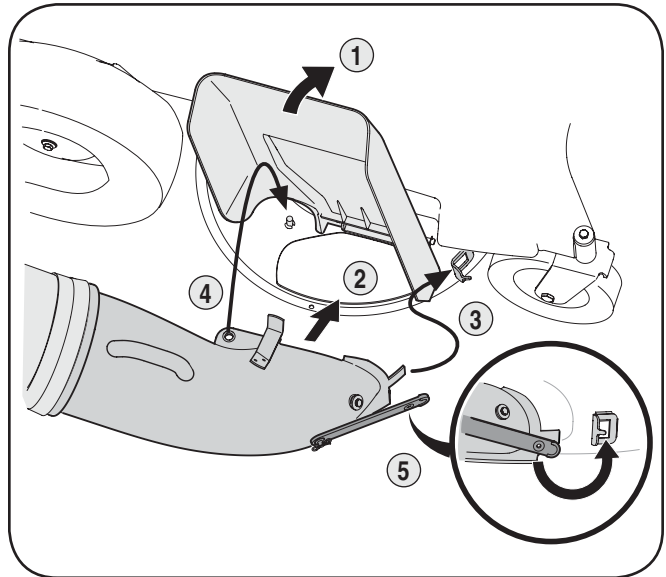


Figure 9

## Attaching the Grass Bag Assembly (Older Style Deck)

### Remove the Chute Strap

1. Remove and discard the clevis pin, washer, hairpin clip and chute strap. See Fig. 10.

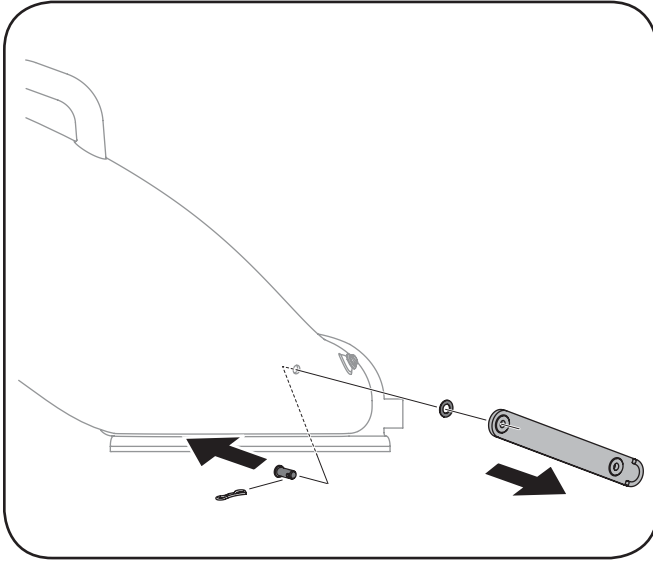


Figure 10

2. Insert the rivet [M] into the hole in the chute and push the rivet's plunger down to lock it in place. See Fig. 11.

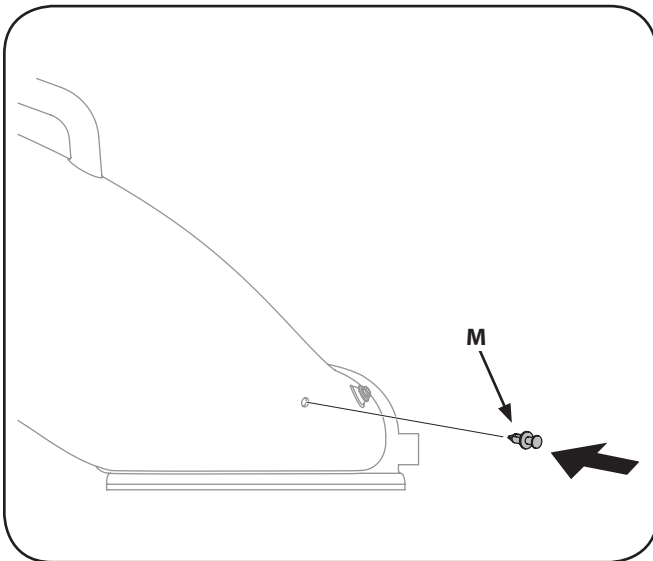


Figure 11

### Install the Chute Latch

3. Pull the rivet's plunger upward to unlock it and remove the rivet from the hole in the chute. See Fig. 12.

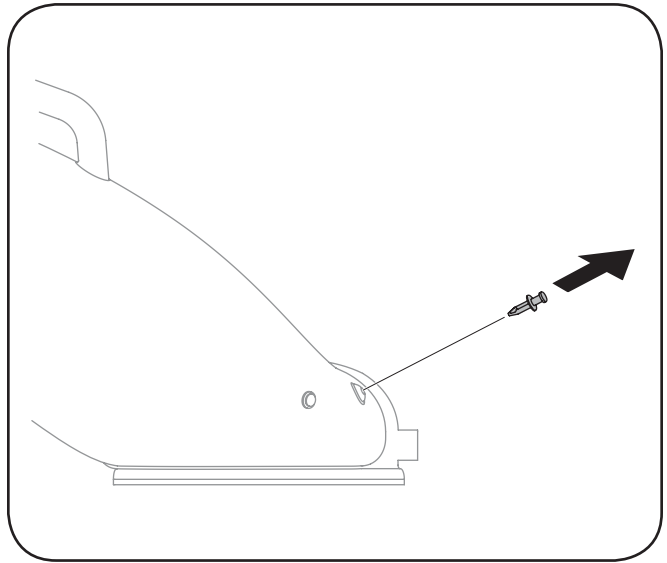


Figure 12

4. Secure the latch [J] to the chute with the hex screw [L], washer [K] and flange lock nut [G]. See Fig. 13.

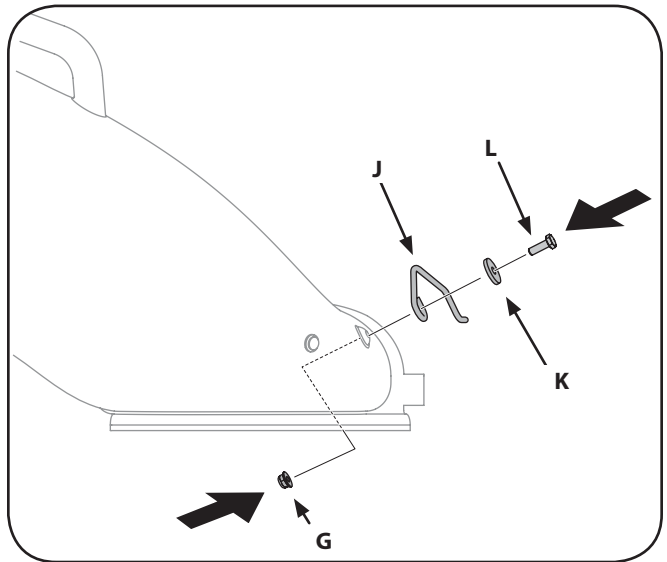


Figure 13

## Attaching the Chute

5. Shut the engine off and disconnect spark plug. Pivot the chute deflector upward. See Fig. 14.
6. Secure the latch [J] to the side of the chute/grass bag assembly using the hardware provided.
7. Place the bottom lip of the chute/grass bag assembly into the lip on the deck. See Fig. 14.
8. Place the tab of the chute/grass bag assembly into the bracket on the deck. See Fig. 14.
9. Lift chute/grass bag to position hole in chute over stud on the deck. The bracket on the chute will hold the chute deflector into an upright position. See Fig. 14.
10. Push the latch over the bracket on the deck. See Fig. 14.

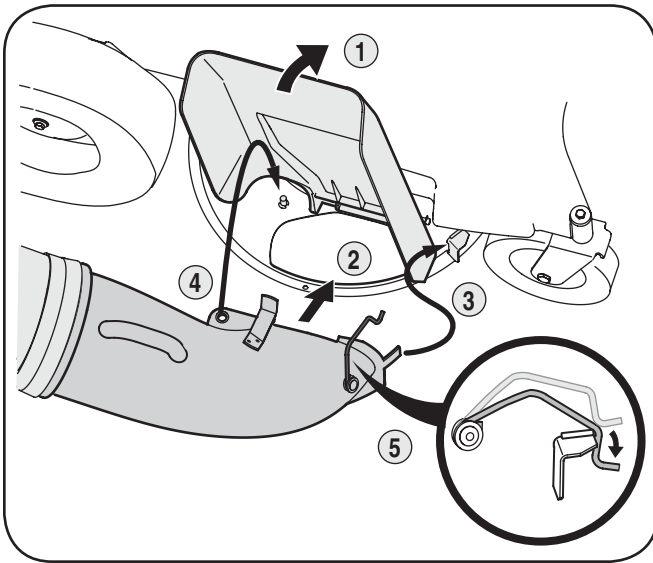


Figure 14

## Using the Grass Bag



**WARNING:** The operation of any lawn mower can result in foreign objects being thrown into the eyes, which can damage your eyes severely. Always wear safety glasses while operating the mower, or while performing any adjustments or repairs on it.

1. Empty the bag when  $\frac{3}{4}$  full. To remove the grass bag, lift discharge chute, lift chute/bag assembly from stud and remove assembly from opening in deck. After the grass bag assembly has been removed from the mower's deck, remove the grass bag assembly (along with the hanger rod) from the right side support.
2. Unzip the bag and empty.
3. Zip the bag closed and reinstall entire assembly following "Attaching the Grass Bag Assembly" above. Check the grass bag frequently for deterioration and wear. Replace worn bag with new bag.

**CUB CADET LLC  
MANUFACTURER'S LIMITED WARRANTY  
FOR SEPARATELY SOLD ATTACHMENTS AND ACCESSORIES**

**IMPORTANT:** To obtain warranty coverage owner may be required to present an original proof of purchase and applicable maintenance records to the servicing dealer. Please see the operator's manual for information on required maintenance and service intervals.

The limited warranty set forth below is given by Cub Cadet LLC with respect to new merchandise purchased or leased and used in the United States and/or its territories and possessions, and by MTD Products Limited with respect to new merchandise purchased or leased and used in Canada and/or its territories and possessions (either entity respectively, "Cub Cadet").

Cub Cadet warrants this product (excluding its *Normal Wear Parts*, as described below) against defects in material and workmanship for a period of two (2) years commencing on the date of original retail purchase or lease and will, at its option, repair or replace, free of charge, any part found to be defective in materials or workmanship.

*Normal Wear Parts* are warranted to be free from defects in material and workmanship for a period of thirty (30) days from the date of original purchase or lease. Normal wear parts include, but are not limited to items such as: belts, blades, blade adapters, grass bags, rider deck wheels, seats, and tires.

This limited warranty shall only apply if this product has been operated and maintained in accordance with the Operator's Manual furnished with the product, and has not been subject to misuse, abuse, neglect, accident, improper maintenance, alteration, vandalism, theft, fire, water, or damage because of other peril or natural disaster. Damage resulting from the installation or use of any part, accessory or attachment not approved by Cub Cadet for use with the product(s) covered by this manual will void your warranty as to any resulting damage. In addition, Cub Cadet may deny warranty coverage if the hour meter, or any part thereof, is altered, modified, disconnected or otherwise tampered with.

**HOW TO OBTAIN SERVICE:** Warranty service is available, WITH PROOF OF PURCHASE AND APPLICABLE MAINTENANCE RECORDS, through your local authorized service dealer. To locate the dealer in your area:

**In the U.S.A.:**

Check your Yellow Pages, or contact Cub Cadet LLC at P.O. Box 361131, Cleveland, Ohio 44136-0019, call 1-877-282- 8684 or log on to our website at [www.cubcadet.com](http://www.cubcadet.com).

**In Canada:**

Contact MTD Products Limited, Kitchener, ON N2G 4J1, call 1-800-668-1238 or log on to our website at [www.mtdcanada.com](http://www.mtdcanada.com).

Without limiting the foregoing, this limited warranty does not provide coverage in the following cases:

- a. Routine maintenance items such as lubricants, filters, blade sharpening, tune-ups, brake adjustments, clutch adjustments, deck adjustments, and normal deterioration of the exterior finish due to use or exposure.
- b. Service completed by someone other than an authorized service dealer.
- c. Cub Cadet does not extend any warranty for products sold or exported outside of the United States and/or Canada, and their respective possessions and territories, except those sold through Cub Cadet's authorized channels of export distribution.
- d. Replacement parts and/or accessories that are not genuine Cub Cadet parts.
- e. Transportation charges and service calls.
- f. Commercial or Institutional Use.

**There are no implied warranties, including without limitation any implied warranty of merchantability or fitness for a particular purpose. No warranties shall apply after the applicable period of express written warranty above. No other express warranties beyond those mentioned above, given by any person or entity, including a dealer or retailer, with respect to any product, shall bind Cub Cadet. The exclusive remedy is repair or replacement of the product as set forth above. The terms of this warranty provide the sole and exclusive remedy arising from the sale and/or lease of the products covered hereby. Cub Cadet shall not be liable for any incidental or consequential loss or damage including, without limitation, expenses incurred for substitute or replacement lawn care services or for rental expenses to temporarily replace a warranted product.**

Some jurisdictions do not allow the exclusion or limitation of incidental or consequential damages, or limitations on how long an implied warranty lasts, so the above exclusions or limitations may not apply to you.

In no event shall recovery of any kind be greater than the amount of the purchase price of the product sold. **Alteration of safety features of the product shall void this warranty.** You assume the risk and liability for loss, damage, or injury to you and your property and/or to others and their property arising out of the misuse or inability to use the product.

This limited warranty shall not extend to anyone other than the original purchaser or to the person for whom it was purchased as a gift.

**HOW LOCAL LAWS RELATE TO THIS WARRANTY:** This limited warranty gives you specific legal rights, and you may also have other rights that vary in different jurisdictions.

**Cub Cadet LLC, P.O. BOX 361131 CLEVELAND, OHIO 44136-0019, Phone: 1-877-282-8684  
MTD Products Limited, Kitchener, ON N2G 4J1, Phone: 1-800-668-1238**