



ALLIGATOR LOPPER INSTRUCTION MANUAL

CATALOG NUMBER
LP1000

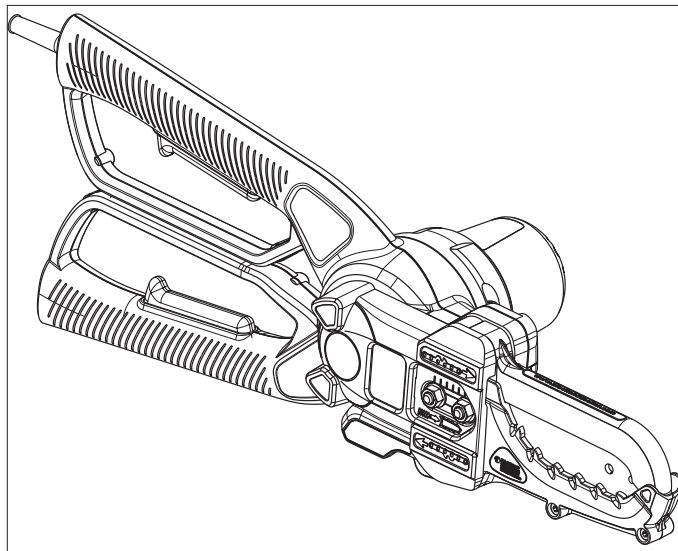
KEY INFORMATION YOU SHOULD KNOW:

- **DO NOT OVER-TENSION CHAIN.** Refer to “Chain Tension ADJUSTMENT” for proper method of tensioning chain.
- Retighten chain frequently during first two hours of use as chain breaks in.

Thank you for choosing Black & Decker!

PLEASE READ BEFORE RETURNING THIS PRODUCT FOR ANY REASON.

SAVE THIS MANUAL FOR FUTURE REFERENCE.



SAFETY GUIDELINES - DEFINITIONS

It is important for you to read and understand this manual. The information it contains relates to protecting YOUR SAFETY and PREVENTING PROBLEMS. The symbols below are used to help you recognize this information.

- ⚠ DANGER:** Indicates an imminently hazardous situation which, if not avoided, will result in death or serious injury.
- ⚠ WARNING:** Indicates a potentially hazardous situation which, if not avoided, could result in death or serious injury.
- ⚠ CAUTION:** Indicates a potentially hazardous situation which, if not avoided, may result in minor or moderate injury.

CAUTION: Used without the safety alert symbol indicates a potentially hazardous situation which, if not avoided, may result in property damage.

Intended use

Your Black & Decker Alligator Lopper™ has been designed for pruning trees and cutting small logs up to 4 inches (100mm) in diameter. This tool is intended for consumer use only.

General Safety Rules

- ⚠ WARNING:** Read all instructions. Failure to follow all instructions listed below may result in electric shock, fire and/or serious injury.
- ⚠ WARNING:** To reduce the risk of injury, user must read instruction manual.

SAVE THESE INSTRUCTIONS.

1. Work area

- a. Keep work area clean and well lit.** Cluttered and dark areas invite accidents.
- b. Do not operate power tools in explosive atmospheres, such as in the presence of flammable liquids, gases or dust.** Power tools create sparks which may ignite the dust or fumes.

- c. Keep children and bystanders away while operating a power tool.** Distractions can cause you to lose control.

2. Electrical safety

- a. Power tool plugs must match the outlet. Never modify the plug in any way. Do not use any adapter plugs with earthed (grounded) power tools.** Unmodified plugs and matching outlets will reduce risk of electric shock.
- b. Avoid body contact with earthed or grounded surfaces such as pipes, radiators, ranges, refrigerators and wire fences.** There is an increased risk of electric shock if your body is earthed or grounded.
- c. Do not expose power tools to rain, damp or wet conditions.** Water entering a power tool will increase the risk of electric shock. Don't use in rain.
- d. Do not abuse the cord. Never use the cord for carrying, pulling or unplugging the power tool. Keep cord away from heat, oil, sharp edges or moving parts.** Damaged or entangled cords increase the risk of electric shock.
- e. When operating a power tool outdoors, use an extension cord suitable for outdoor use.** Use of a cord suitable for outdoor use reduces the risk of electric shock.
- f. Ground Fault Circuit Interrupter (GFCI) protection should be provided on the circuit(s) or outlet(s) to be used for the gardening appliance.** Receptacles are available having built-in GFCI protection and may be used for this measure of safety.

3. Personal safety

- a. Before you start the saw, make sure the saw chain is not contacting anything. Stay alert, watch what you are doing and use common sense when operating a power tool. Do not use a power tool while you are tired or under the influence of drugs, alcohol or medication.** A moment of inattention while operating power tools may result in serious personal injury.

- b. Use safety equipment. Always wear eye protection.** Safety equipment such as dust mask, non-skid safety shoes, hard hat, rubber gloves, snug-fitting clothing or hearing protection used for appropriate conditions will reduce personal injuries.
- c. Avoid accidental starting. Ensure the switch is in the off position before plugging in.** Carrying power tools with your finger on the switch or plugging in power tools that have the switch on invites accidents.
- d. Remove any adjusting key or wrench before turning the power tool on.** A wrench or a key left attached to a rotating part of the power tool may result in personal injury.
- e. Do not overreach. Keep proper footing and balance at all times.** This enables better control of the power tool in unexpected situations.
- f. Dress properly. Do not wear loose clothing or jewellery. Keep your hair, clothing and gloves away from moving parts.** Loose clothes, jewellery or long hair can be caught in moving parts.
- g. If devices are provided for the connection of dust extraction and collection facilities, ensure these are connected and properly used.** Use of these devices can reduce dust related hazards.
- h. Maintain Appliance With Care - Keep cutting edge sharp and clean for best performance and to reduce the risk of injury.** Follow instructions for lubricating and changing accessories. Inspect appliance cord periodically, and if damaged, have it repaired by an authorized service facility. Inspect extension cords periodically and replace if damaged. Keep handles dry, clean, and free from oil and grease.
- i. Grip Saw Firmly - Hold the chain saw firmly with both hands when the motor is running.** Use a firm grip with thumbs and fingers encircling the chain saw handles.
- j. Power Supply - Connect chain saw to correct voltage, that is, be sure that the voltage supplied is the same as that specified on the nameplate of the tool.**
- 4. Power tool use and care**
- a. Do not force the power tool. Use the correct power tool for your**

application. The correct power tool will do the job better and safer at the rate for which it was designed.

b. Do not use the power tool if the switch does not turn it on and off. Any power tool that cannot be controlled with the switch is dangerous and must be repaired.

c. Disconnect the plug from the power source when not in use, before servicing, before making any adjustments, changing accessories and attachments such as saw chain and guard or storing power tools. Such preventive safety measures reduce the risk of starting the power tool accidentally.

d. When not in use, appliances should be stored indoors in a dry, and high or locked-up place, out of the reach of children and do not allow persons unfamiliar with the power tool or these instructions to operate the power tool. Power tools are dangerous in the hands of untrained users.

e. Check Damaged Parts - Before further use of the appliance, a guard or other part that is damaged should be carefully checked to determine that it will operate properly and perform its intended function. Check for alignment of moving parts, binding of moving parts, breakage of parts, mounting, and any other condition that may affect its operation. A guard or other part that is damaged should be properly repaired or replaced by an authorized service center unless indicated elsewhere in this manual.

f. Keep cutting tools sharp and clean. Properly maintained cutting tools with sharp cutting edges are less likely to bind and are easier to control.

g. Use the power tool, accessories and tool bits etc., in accordance with these instructions and in the manner intended for the particular type of power tool, taking into account the working conditions and the work to be performed. Use of the power tool for operations different from those intended could result in a hazardous situation.

h. Do not operate a chain saw that is damaged, improperly adjusted, or is not completely and securely assembled. Be sure that the saw chain

stops moving when the trigger is released.

i. Use extreme caution when cutting small size brush and saplings because the slender material may catch the saw chain and be whipped toward you or pull you off balance.

j. Carry the chain saw by the front handle with the saw stopped, finger off the switch, the guide bar and saw chain to the rear.

k. Maintain Chain Saw With Care - Inspect chain saw cords periodically and if damaged, have repaired by authorized service facility. Keep cord clear of the chain and operator at all times. Never carry saw by the cord or pull it to disconnect from receptacle. Keep cord from oil and sharp edges. Inspect extension cords periodically and replace if damaged. Keep tools sharp and clean for better and safer performance. Follow instructions for lubricating and changing accessories. Keep handles dry, clean, and free from oil and grease.

5. Service

a. Have your power tool serviced by a qualified repair person using only identical replacement parts. This will ensure that the safety of the power tool is maintained.

b. If the replacement of the supply cord is necessary, this has to be done by the manufacturer or his agent in order to avoid a safety hazard.

Additional safety instructions for the Alligator™ Lopper

⚠WARNING: Never use the tool above shoulder height. Always position yourself out of the path of falling branches and debris.

⚠WARNING: Do not use this tool to fell trees.

- Pre-plan a safe exit from falling branches and debris. Ensure the exit route is clear of obstacles that would prevent or hinder movement.

Remember wet grass and freshly cut bark is slippery.

- Be aware of the direction that a branch may fall. Consider all conditions that may affect the direction of fall, including:

- The intended direction of fall.

- The natural lean of the branch.

- Any unusual heavy limb structure or decay.

- Surrounding trees and obstacles including overhead lines.

- The wind speed and direction.

- The safe distance between a branch and debris to be felled and bystanders, buildings and other objects is at least 2 1/2 times the length of the branch. Any bystander, building or object within this distance is at risk from being struck by the falling branch.

- When cutting a limb that is under tension be aware of spring back. When the tension in the wood fibres are released the spring loaded limb may strike the operator and/or throw the tool out of control.

- Always wear suitable safety equipment such as non-skid heavy-duty shoes, goggles, ear protection and gloves when operating the tool.

- Ensure someone is nearby (at a safe distance) in case of an accident.

- Do not attempt to operate the tool when in a tree, on a ladder or standing on any other unstable support.

- Keep proper footing and balance at all times.

- Hold the tool firmly with both hands when the motor is running.

- Keep handles dry, clean and free from oil and grease. Greasy oily handles are slippery causing loss of control.

- Do not let the moving chain contact any object at the tip of the guide bar.

- Keep your saw chain properly tensioned. Check tension at regular intervals with the motor stopped and cord disconnected.

- Begin and continue cutting only with the chain moving at full speed.

- Watch for shifting branches or other forces that could close a cut and pinch or fall into the chain.

- Use extreme caution when re-entering a previous cut. Engage spikes on lower jaw into wood and allow the chain to reach full speed before proceeding with cut.

- Use of this tool for operation different to those intended could result in hazardous situations. Cut wood only. Don't use this tool for purposes not

intended - for example - Don't use tool for cutting plastic, masonry or non-wood building materials.

- If any debris gets caught with the guard or tool discontinue use, disconnect power cord and clear debris.
- Worn chains and chain guide bars should be replaced.
- Only use replacement bars and chains specified by the manufacturer.
- This electrically powered saw is classified by CSA as a Class 2C saw. It is intended for infrequent use by homeowners, cottagers, and campers, and for such general applications as clearing, pruning, cutting firewood, etc. It is not intended for prolonged use. Prolonged periods of operation can cause circulatory problems in the user's hands due to vibration. For such use, it may be appropriate to use a saw having an anti-vibration feature.

Kickback Safety Features

Guard against kickback. Kickback is the upward motion of the guide bar that occurs when the saw chain, at the nose of the guide bar, contacts an object. Kickback can lead to dangerous loss of control of the chain saw.

⚠WARNING: The following features are included on your Alligator Lopper™ to help reduce the hazard of kickback; however such features will not totally eliminate this dangerous reaction. As a chain saw user do not rely only on safety devices. You must follow all safety precautions, instructions, and maintenance in this manual to help avoid kickback and other forces which can result in serious injury.

Top Jaw - This has been designed specifically to cover the tip of the chain bar where the danger zone for kickback occurs. In the event of any kickback the guard also helps prevent the chain coming into contact with the operator.

Reduced Kickback Guide Bar - This has been designed with a small radius tip which reduces the size of the kickback zone on the bar tip.

Reduced Kickback Chain - Designed with a contoured depth gauge and guard link which deflect kickback force and allows wood to gradually ride into the cutter.

Electrical safety

This tool is double insulated; therefore no grounding wire is required. Always check that the power supply corresponds to the voltage on the rating plate.

⚠WARNING: Some dust created by power sanding, sawing, grinding, drilling, and other construction activities contains chemicals known to cause cancer, birth defects or other reproductive harm. Some examples of these chemicals are:

- lead from lead-based paints,
- crystalline silica from bricks and cement and other masonry products, and
- arsenic and chromium from chemically-treated lumber. (CCA)

Your risk from these exposures varies, depending on how often you do this type of work. To reduce your exposure to these chemicals: work in a well ventilated area, and work with approved safety equipment, such as those dust masks that are specially designed to filter out microscopic particles.

- **Avoid prolonged contact with dust from power sanding, sawing, grinding, drilling, and other construction activities. Wear protective clothing and wash exposed areas with soap and water.** Allowing dust to get into your mouth, eyes, or lay on the skin may promote absorption of harmful chemicals.

⚠WARNING: Use of this tool can generate and/or disburse dust, which may cause serious and permanent respiratory or other injury. Always use NIOSH/OSHA approved respiratory protection appropriate for the dust exposure. Direct particles away from face and body.

CAUTION: Wear appropriate personal hearing protection during use. Under some conditions and duration of use, noise from this product may contribute to hearing loss.

Extension Cord

⚠ WARNING: To reduce the risk of electric shock use only with an extension cord intended for outdoor use, such as SW-A, SOW-A, STW-A, STOW-A, SJW-A, SJOW-A, SJTW-A or SJTOW-A.

Make sure your extension cord is in good condition. When using an extension cord be sure it is heavy enough to carry the current your product will draw. An undersized extension cord will cause a drop in line voltage resulting in loss of power and overheating. The following table shows the correct size to use depending on cord length and nameplate ampere rating. If in doubt, use the next heavier gage. The smaller the gage number, the heavier the cord.

Volts	Minimum Gage for Cord Sets			
	Total Length of Cord in Feet			
120V	0-25	26-50	51-100	101-150
240V	0-50	51-100	101-200	201-300
Ampere Rating				
More Than	Not more Than	American Wire Gage		
0	- 6	18	16	16 14
6	- 10	18	16	14 12
10	- 12	16	16	14 12
12	- 16	14	12	Not Recommended

Double Insulation

Double insulated tools are constructed throughout with two separate layers of electrical insulation or one double thickness of insulation between you and the tool's electrical system. Tools built with this insulation system are not intended to be grounded. As a result, your tool is equipped with a two prong plug which permits you to use extension cords without concern for maintaining a ground connection. **NOTE:** Double insulation does not take the place of normal safety precautions when operating this tool. The insulation system is for added protection against injury resulting from a possible electrical insulation failure within the tool.

REPLACEMENT PARTS: When servicing all tools, USE IDENTICAL REPLACEMENT PARTS. Repair or replace damaged cords.









Polarized Plugs

To reduce the risk of electric shock, this equipment has a polarized plug (one blade is wider than the other). This equipment must be used with a suitable polarized 2 wire or 3 wire extension cord. Polarized connections will fit together only one way. Make sure that the receptacle end of the extension cord has large and small blade slot widths. If the plug does not fit fully into the extension cord, reverse the plug. If it still does not fit, obtain a suitable extension cord. If the extension cord does not fit fully into the outlet, contact a qualified electrician to install the proper outlet. Do not change the tool plug or extension cord in any way.

SYMBOLS

The label on your tool may include the following symbols.

The symbols and their definitions are as follows:

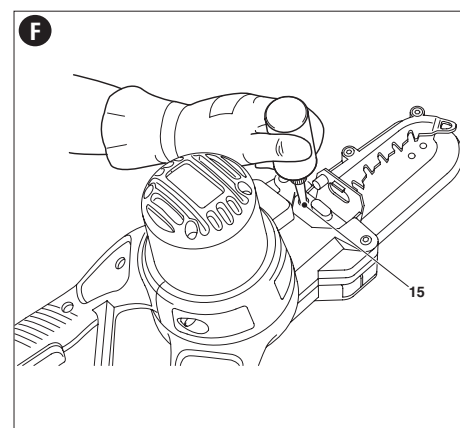
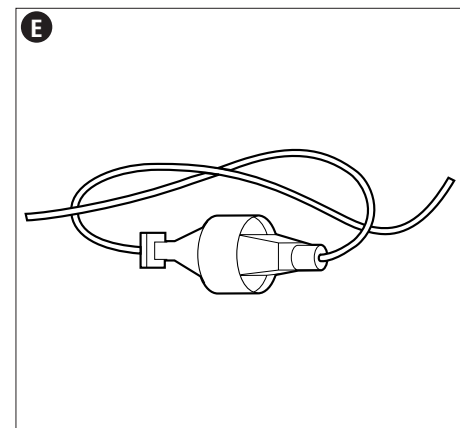
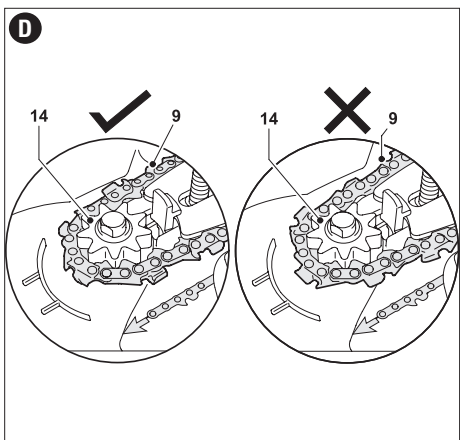
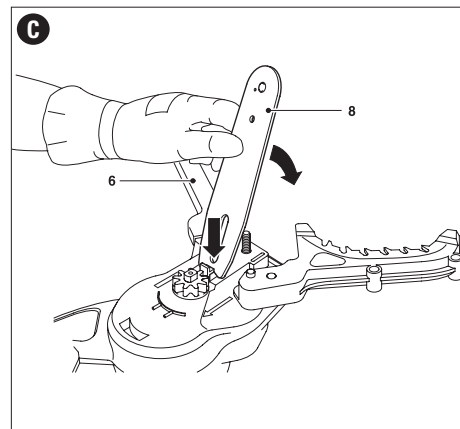
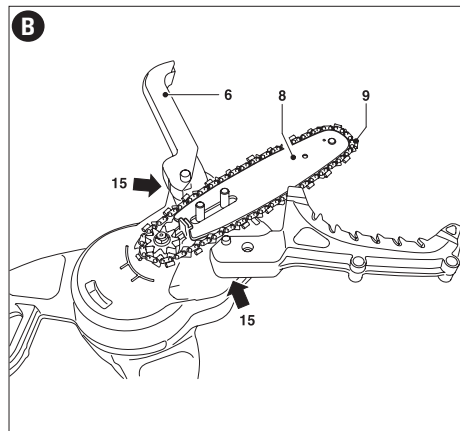
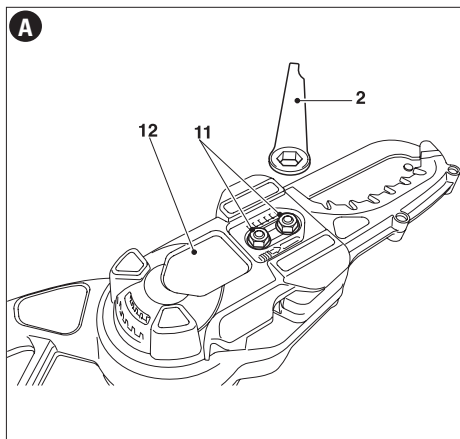
- V** volts
- A** amperes
- Hz** hertz
- W** watts
- min** minutes
- \sim or AC alternating current
- or DC direct current
- n_o** no load speed
-  Class I Construction (grounded)
-  earthing terminal
-  Class II Construction (double insulated)
-  safety alert symbol
-  Read instruction manual before use
-  Use proper respiratory protection
-  Use proper eye protection
-  Use proper hearing protection

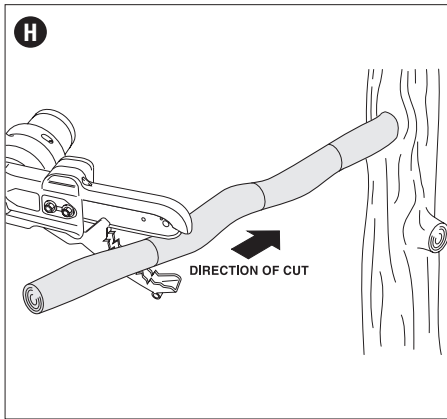
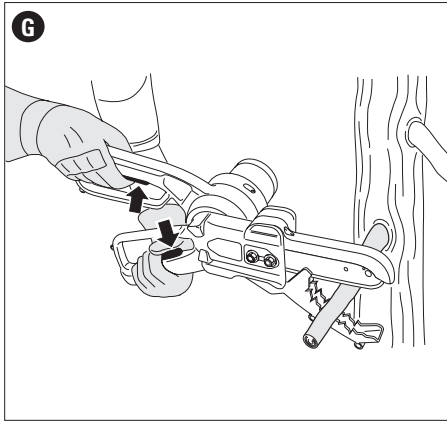
SAVE THESE INSTRUCTIONS

CHAIN SAW NAMES AND TERMS

- **Bucking** - The process of cross cutting a felled tree or log into lengths.
- **Chain Brake** - A device used to stop the chain saw.
- **Chain Saw Powerhead** - A chain saw without the saw chain and guide bar.
- **Clutch** - A mechanism for connecting and disconnecting a driven member to and from a rotating source of power.
- **Drive Sprocket or Sprocket** - The toothed part that drives the saw chain.
- **Felling** - The process of cutting down a tree.
- **Felling Back Cut** - The final cut in a tree felling operation made on the opposite side of the tree from the notching cut.
- **Guide Bar** - A solid railed structure that supports and guides the saw chain.
- **Kickback** - The backward or upward motion, or both of the guide bar occurring when the saw chain near the nose of the top area of the guide bar contacts any object such as a log or branch, or when the wood closes in and pinches the saw chain in the cut.
- **Kickback, Pinch** - The rapid pushback of the saw which can occur when the wood closes in and pinches the moving saw chain in the cut along the top of the guide bar.
- **Kickback, Rotational** - The rapid upward and backward motion of the saw which can occur when the moving saw chain near the upper portion of the tip of the guide bar contacts an object, such as a log or branch.
- **Low-Kickback Chain** - A chain that complies with the kickback performance requirements of ANSI B175.1-1991 (when tested on a representative sample of chain saws.)
- **Normal Cutting Position** - Those positions assumed in performing the bucking and felling cuts.

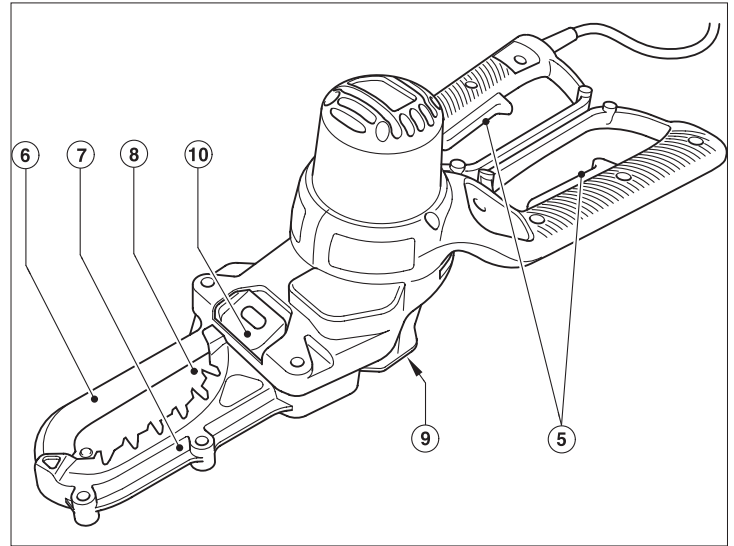
- **Reduced Kickback Guide Bar** - A guide bar which has been demonstrated to reduce kickback significantly.
- **Replacement Saw Chain** - A chain that complies with kickback performance requirements of ANSI B175.1-1991 when tested with specific chain saws. It may not meet the ANSI performance requirements when used with other saws.
- **Saw Chain** - A loop of chain having cutting teeth, that cut the wood and that is driven by the motor and is supported by the guide bar.
- **Switch** - A device that when operated will complete or interrupt an electrical power circuit to the motor of the chain saw.
- **Switch Linkage** - The mechanism that transmits motion from a trigger to the switch.





Functional Description

1. Oil Bottle
2. Wrench
3. Instruction Manual
4. Alligator Lopper™
5. On/off switch actuators
6. Top jaw
7. Lower jaw
8. Chain guide bar
9. Chipping ejection point
10. Oiling cover



Preparing Your Alligator Lopper™ For Use

⚠WARNING: Read and understand all instructions. Failure to follow all instructions listed below may result in electric shock, fire and/or serious personal injury

⚠WARNING: Sharp moving blade. To prevent accidental operation, ensure that the tool is disconnected from the power source before performing the following operations. Failure to do this could result in serious personal injury.

⚠CAUTION: Sharp moving blade. Always wear protective gloves when installing or removing the chain. The chain is sharp and can cut you when it is not running.

Chain tension adjustment (fig. A)

⚠WARNING: Before chain or other adjustments, make sure that the tool is switched off and unplugged.

If the chain can not be correctly tensioned, it may need to be replaced. Contact your nearest service center.

The product comes ready assembled. However we recommend that you check the tension of the chain, and chain retention nuts before use and if required adjust.

Checking and adjusting the chain tension (fig. A)

To tension the chain slacken the two chain cover retention nuts (11) with the wrench (2) and the chain tensioning device will push the chain bar out, setting the correct tension. Retighten the two retention nuts (11) securely. Check that the correct tension has been set by lightly pulling on the chain. The tension is correct when the chain snaps back after being pulled 1/8" inch (3 mm) away from the guide bar. There should be no "sag" between the guide bar and chain on the underside.

Note: Do not over tension the chain as this will lead to excessive wear and reduce the life of the bar and chain. It will also lead to reduced product performance.

Note: With first use and when the chain is new, check tension frequently as a new chain stretches slightly.

Replacing the chain and chain bar

After prolonged use the chain and / or chain bar may need replacing. Use Black & Decker replacement chain RC600 only.

Low-Kickback saw chain is a chain which has met the kickback performance requirements of ANSI B175.1 when tested on the representative sample of chain saws.

Removing the saw chain & chain bar (figs. A & B)

⚠WARNING: Before chain or other adjustments, make sure that the tool is switched off and unplugged.

⚠WARNING: Laceration hazard. Always wear protective gloves when installing or removing the saw chain. The saw chain is sharp and can cut you when it is not running.

⚠WARNING: Burn hazard. The chain guide bar and chain may become hot during use. Allow to cool before adjustment or removal.

- Place the tool on a firm surface.
- Rotate the two retention nuts (11) counter clockwise with wrench (2) provided and remove completely.
- Remove the chain access cover (12).
- Open the handles and pull back the top chain cover (6).
- Pull back chain bar (8) and then lift the saw chain (9) out of the groove in the guide bar. The chain can then be removed from the unit.
- The chain bar can then be angled up and over the bolts.

Assembling the chain bar and chain (figs. C&D)

⚠WARNING: Before chain or other adjustments, make sure that the tool is switched off and unplugged.

⚠WARNING: Always wear protective gloves when installing or removing the saw chain. The saw chain is sharp and can cut you when it is not running.

- Ensure the operation is carried out on a firm surface.
- Open the handles and pull back the top jaw (6).
- Insert the chain bar (8) into the space between the chain tensioner and the first bolt, angle the chain bar down over the bolts.
- Place the chain (9) around the front of the chain bar and engage in the nose sprocket of the chain bar. Make sure chain is installed properly, with the cutting teeth facing forward as shown here.



Pull the chain bar and chain back, engaging it in the groove in the chain bar and then over the sprocket (14) positioning teeth in the correct position on the sprocket.

- Replace the chain access cover (12) and retention nuts (11) tightening securely.

Operation

Never operate a chain saw that is damaged or improperly adjusted or that is not completely and securely assembled. Be sure that the saw chain stops moving when the power control system triggers are released. Never adjust the guide bar or saw chain when the engine is operating.

▲WARNING: Let the tool work at its own pace. Do not overload.

- Carry out regular cleaning of the unit as described in the maintenance section and in particular cleaning inside the chain access cover.
- The lower guard (7) and top jaw (6) are designed to close when one of the handles is released or when the piece of branch being cut has been cut. If this does not occur, discontinue use of the tool and remove the power cord. Check if any debris is blocking movement. To help in this process it may be necessary to remove chain access cover(12). If on assembly the problem is still present take the unit to a service center.

Extension Cord (fig. E)

To reduce the risk of disconnection of appliance cord from the extension cord during operation make a knot as shown in Figure E on page 8.

NOTE: Always keep the cord away from the cutting area and position the cord so that it will not be caught on branches, and other material, during cutting.

Oiling (fig. F)

A high quality bar and chain oil or SAE30 weight motor oil should be used for chain and bar lubrication. The use of a vegetable based bar and chain oil is recommended when pruning trees. Never use waste oil or very thick oil. These may damage your chain saw.

- Before first use and every ten minutes of use you must oil the product with the recommended chain oil. Open the oiling cover (10) and insert the bottle into the oil filling hole (15) apply pressure to the bottle once to dispense oil.
- This should be adequate for about 10 minutes of cutting depending upon cutting speed and type of wood.

- The hole feeds the oil through to the chain onto the chain bar and an excessive amount of oil applied to the unit could mean the oil drips from the unit around the jaw area. This is normal and is nothing to be concerned about.

Switching on and off (fig. G)

For your safety, this tool is equipped with a double switching system. This system prevents starting the tool inadvertently.

A chain saw is intended for two-handed use. Serious injury to the operator, helpers, and/or bystanders can result from one-handed operation.

Switching on

Ensure a firm grip on the handles and then squeeze both switch actuators to switch the unit on.

Note: Both switches must be activated for the product to be used.

Do not force the tool - allow it to do the work. It will do a better and safer job at the speed for which it is designed. Excessive force will stretch the chain.

If the saw chain or bar becomes jammed:

- Switch the tool off.
- Disconnect the tool from the power supply.
- Open the cut with wedges to relieve the strain on the guide bar. Do not try to wrench the saw free. Start a fresh cut.

Trimming branches

- Make sure the tool is running at full speed before making a cut.
- Hold the tool firmly in place to avoid possible bouncing or sideways movement of the tool.
- Guide the tool using light pressure.
- Always cut down from the top. This way you will avoid pinching the saw chain.
- **Remove branches as shown in Fig H.** Starting from branch tip reduce the branch in logical steps cutting off small sections. "When cutting a limb that is under tension be aware of spring back.
- When the tension in the wood fibres are released the spring loaded limb may strike the operator and /or throw the tool out of control"
- Remove the tool from the cut while it is running at full speed.

Maintenance

Your Black & Decker tool has been designed to operate over a long period of time with a minimum of maintenance. Continuous satisfactory operation depends upon proper tool care and regular cleaning. If the replacement of the supply cord is necessary, this has to be done by the manufacturer or his agent in order to avoid a safety hazard.

⚠WARNING: Before performing any maintenance or cleaning of the tool, unplug the unit from the power supply.

Cleaning

- Regularly remove the chain access cover and remove any debris that has become trapped.
- Regularly clean the ventilation slots with a clean, dry paint brush.
- To clean the tool, use only mild soap and a damp cloth. Never let any liquid get inside the tool and never immerse any part of the tool into liquid.

Oiling

- Regularly oil the oiling points (15) as indicated in figure F.

Transporting

- Always transport the tool with the jaws closed.

Storage

- When the tool will not be used for several months, wipe any metal components with oil.
- Store the tool in a secure and dry location. The storage temperature must always remain in the range of 41°F (+5 °C) to 104°F (+40 °C). Place the product on a level safe location.

IMPORTANT: To assure product SAFETY and RELIABILITY, repairs, maintenance and adjustment should be performed by authorized service centers or other qualified service organizations, always using identical replacement parts.

Accessories

Replacement chain and bar are available from your nearest Black & Decker service center.

Replacement chain catalog number RC600

The use of accessories not recommended in this manual may be hazardous.

Troubleshooting Section

If your saw does not operate correctly check the following:

Problem	Possible Cause	Possible Solution
• Tool will not start.	• Fuse blown or breaker tripped. • Extension cord not plugged in.	• Check fuse or breaker. • Check to make sure extension cord is plugged into a working outlet.
• Bar / chain overheated.	• Chain too tight. • Lubrication needed.	• Refer to section on adjusting chain tension. • Refer to sections for chain oiling application.
• Chain is loose.	• Chain tension set incorrectly.	• Refer to section for chain tensioning.
• Poor cut quality	• Chain tension set incorrectly. • Chain needs replacement.	• Refer to section on adjusting chain tension. Note: Excessive tension leads to excessive wear and reduction in life of bar & chain. Lubricate after every 10 minutes of use. • Refer to section for installation of chain.
• Unit runs but does not cut.	• Chain installed backwards. See page 10 for illustration. • Chain installed?	• Refer to sections for installing and removing chain.